



US00D697748S

(12) **United States Design Patent**  
**Wang et al.**

(10) **Patent No.:** **US D697,748 S**  
(45) **Date of Patent:** **\*\* Jan. 21, 2014**

(54) **WATER COOLER**

(75) Inventors: **Chun Yen Wang**, El Paso, TX (US);  
**Gregory N Spear**, Los Angeles, CA (US)

(73) Assignee: **MTN Products, Inc.**, La Verne, CA (US)

(\*\*) Term: **14 Years**

(21) Appl. No.: **29/429,797**

(22) Filed: **Aug. 16, 2012**

(51) **LOC (10) Cl.** ..... **07-01**

(52) **U.S. Cl.**

USPC ..... **D7/306**; D7/311; D7/313

(58) **Field of Classification Search**

USPC ..... D7/309–311, 300, 305, 306, 313;  
99/279, 284, 290, 275, 295, 293;  
222/146.6, 482

See application file for complete search history.

(56) **References Cited**

**U.S. PATENT DOCUMENTS**

D106,061 S *	9/1937	Reeves .....	D7/306
D143,887 S *	2/1946	Thompson .....	D7/307
D239,756 S *	5/1976	Martin .....	D7/309
D241,219 S *	8/1976	Martin .....	D7/309
D255,120 S *	5/1980	Bardeau .....	D7/309
D356,713 S *	3/1995	Groover .....	D7/306
D385,747 S *	11/1997	Inoue .....	D7/311
D423,867 S *	5/2000	Cael et al. ....	D7/332
D563,142 S *	3/2008	Kauer .....	D7/306
D652,668 S *	1/2012	Wang .....	D7/306
D655,561 S *	3/2012	Wang .....	D7/306
D668,903 S *	10/2012	Walton et al. ....	D7/306
D677,102 S *	3/2013	Walton et al. ....	D7/306

**OTHER PUBLICATIONS**

<http://www.crystalcoolers.com/North%20America/English/products.aspx>.

- <http://www.charm.com.tw/water.htm>.
- <http://www.igodirect.net/photos.php>.
- <http://www.mistralcoolers.com/index.php?th=155>.
- [http://www.greenwayhp.com/index.php/water\\_dispensers/category\\_list/category/countertop/](http://www.greenwayhp.com/index.php/water_dispensers/category_list/category/countertop/).
- [http://www.greenwayhp.com/index.php/water\\_dispensers/category\\_list/category/countertop/](http://www.greenwayhp.com/index.php/water_dispensers/category_list/category/countertop/).
- <http://www.sipwell.com/en/water-coolers/index.php>.
- [http://www.naturalchoicewater.com/downloads/ION\\_Brochure.pdf](http://www.naturalchoicewater.com/downloads/ION_Brochure.pdf).
- <http://oasiscoolers.com/residential/bottomless-coolers/onyx-series.aspx>.
- <http://www.oasiscoolers.com/products/B1CCTHS/OnyxBrochure.pdf>.
- <http://www.crystalcoolers.com/North%20America/English/products.aspx>.
- <http://sipwell.com/en/water-coolers/index.php>.

\* cited by examiner

*Primary Examiner* — Marianne Pandozzi

(74) *Attorney, Agent, or Firm* — Michael P Mazza, LLC

(57) **CLAIM**

The ornamental design for a water cooler, as shown and described.

**DESCRIPTION**

FIG. 1 is a top, front, side perspective view of a water cooler showing our new design;  
FIG. 2 is a front view thereof;  
FIG. 3 is a top plan view thereof;  
FIG. 4 is a bottom plan view thereof;  
FIG. 5 is a left side view thereof;  
FIG. 6 is a right side view thereof; and,  
FIG. 7 is a rear view thereof.

The broken lines in the drawings are included for the purpose of illustration and form no part of the claimed design.

**1 Claim, 3 Drawing Sheets**

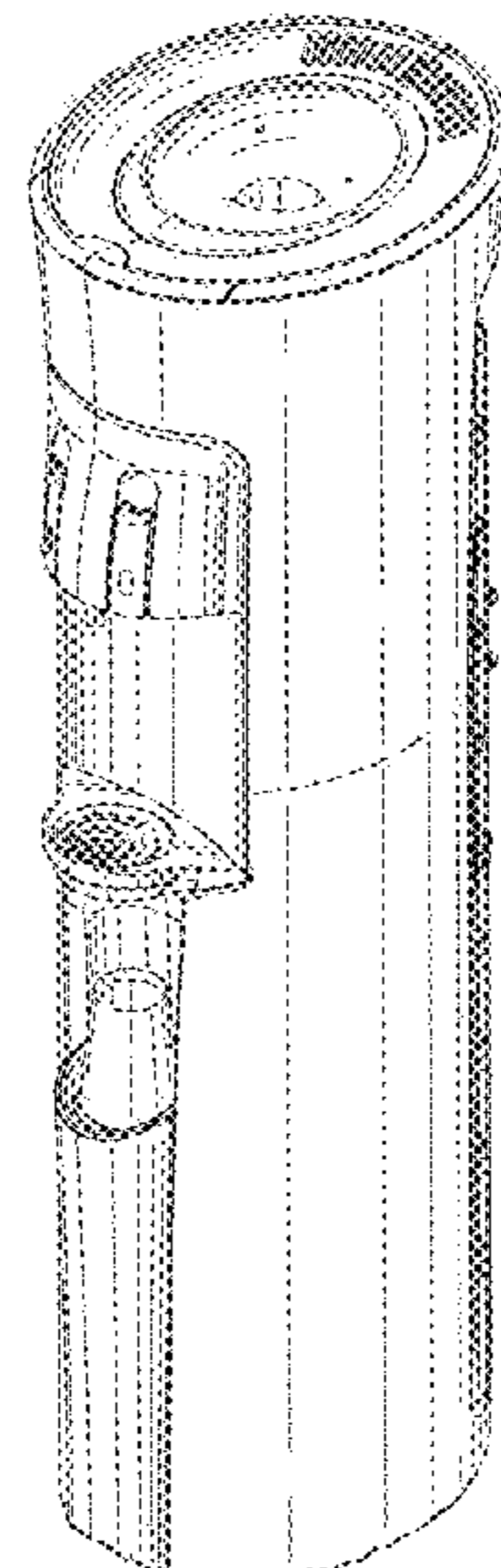


Fig. 1

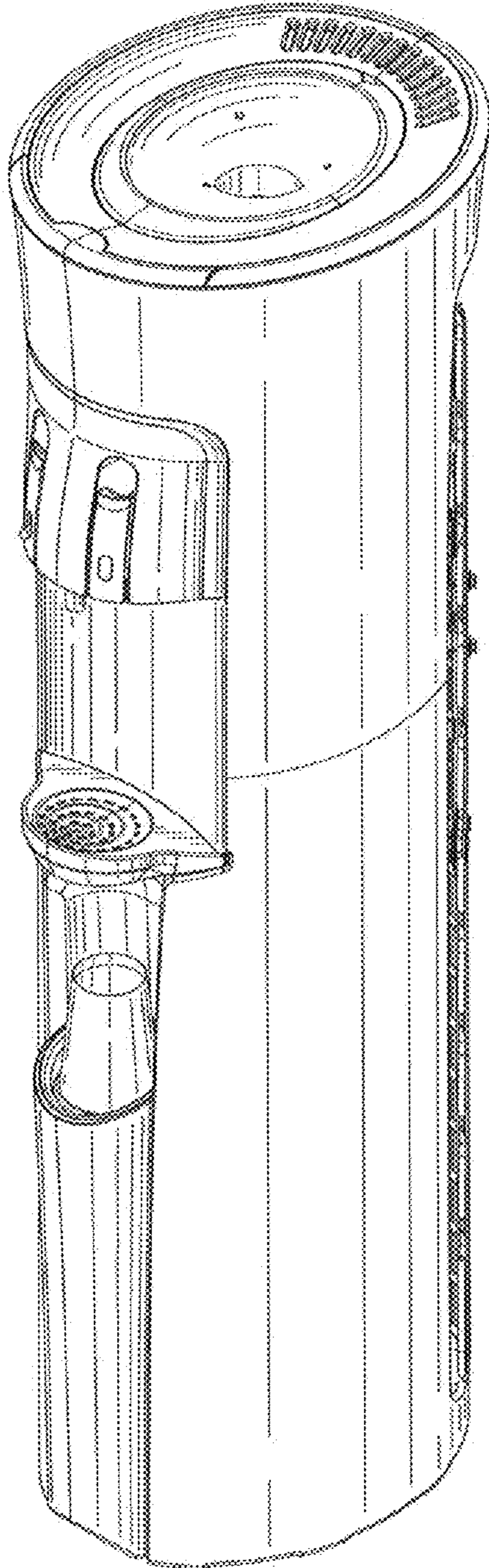


Fig. 2

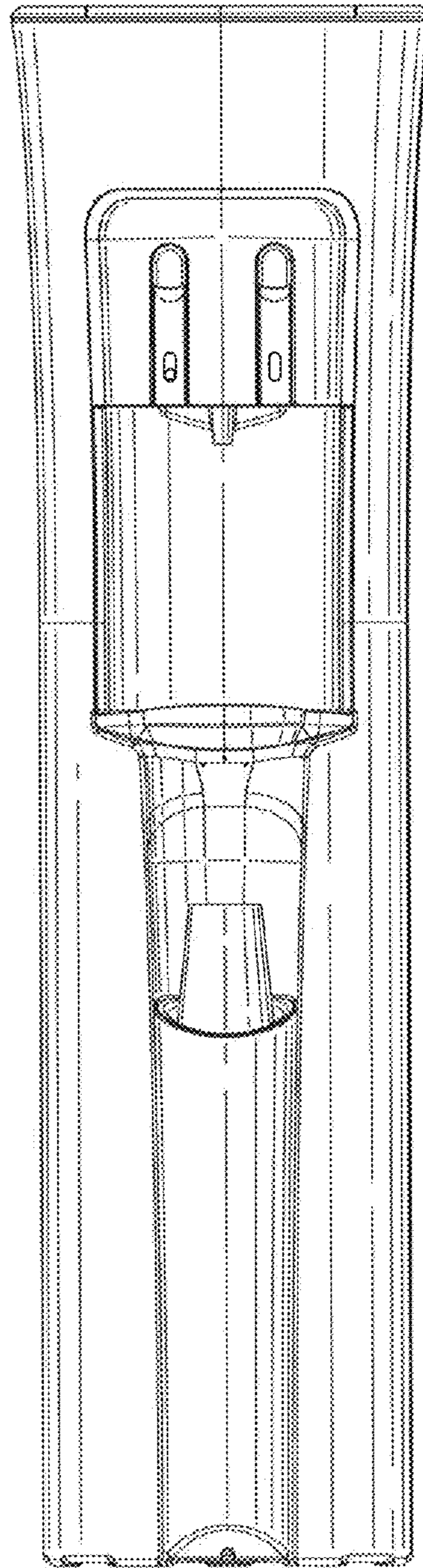


Fig. 3

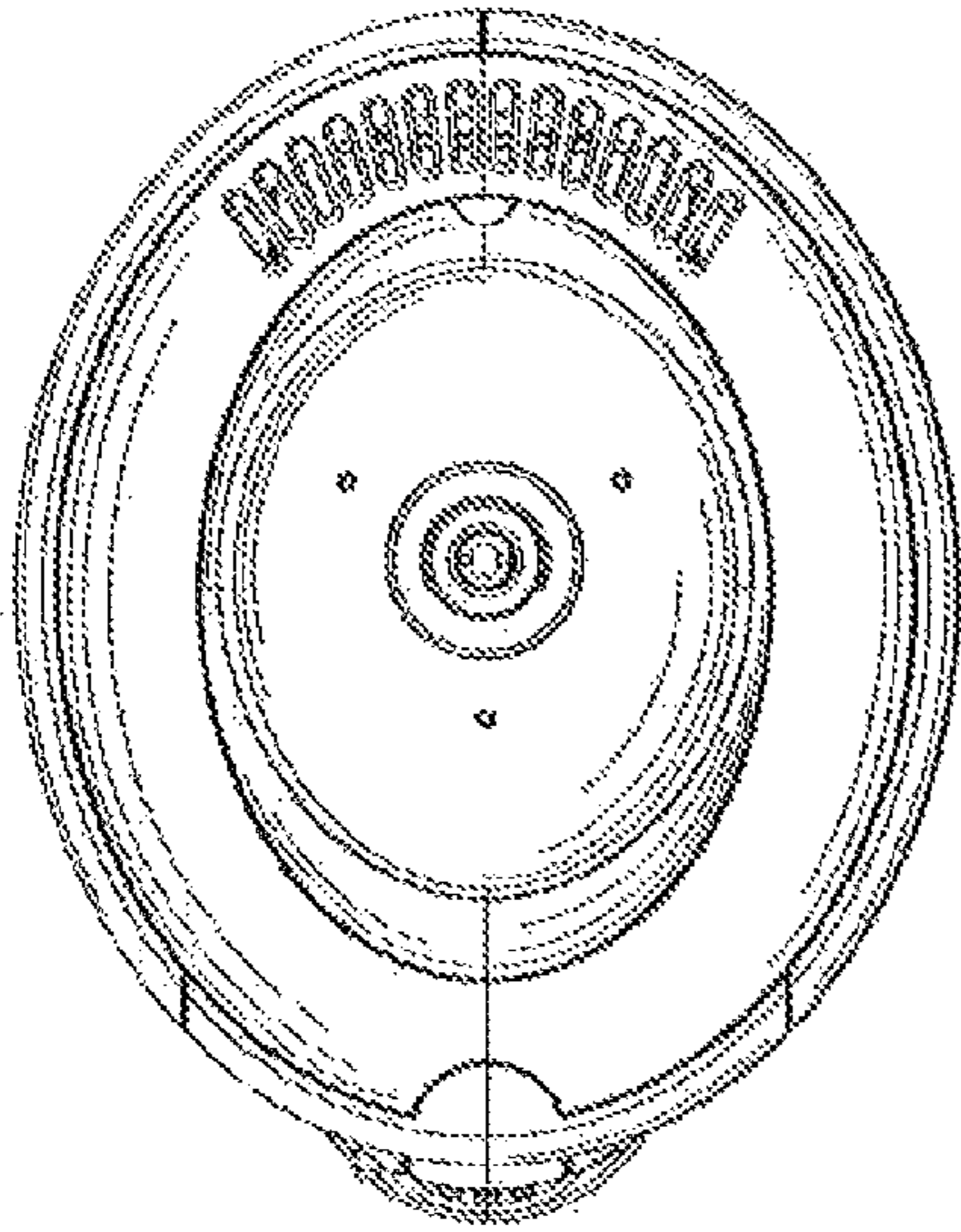


Fig. 4

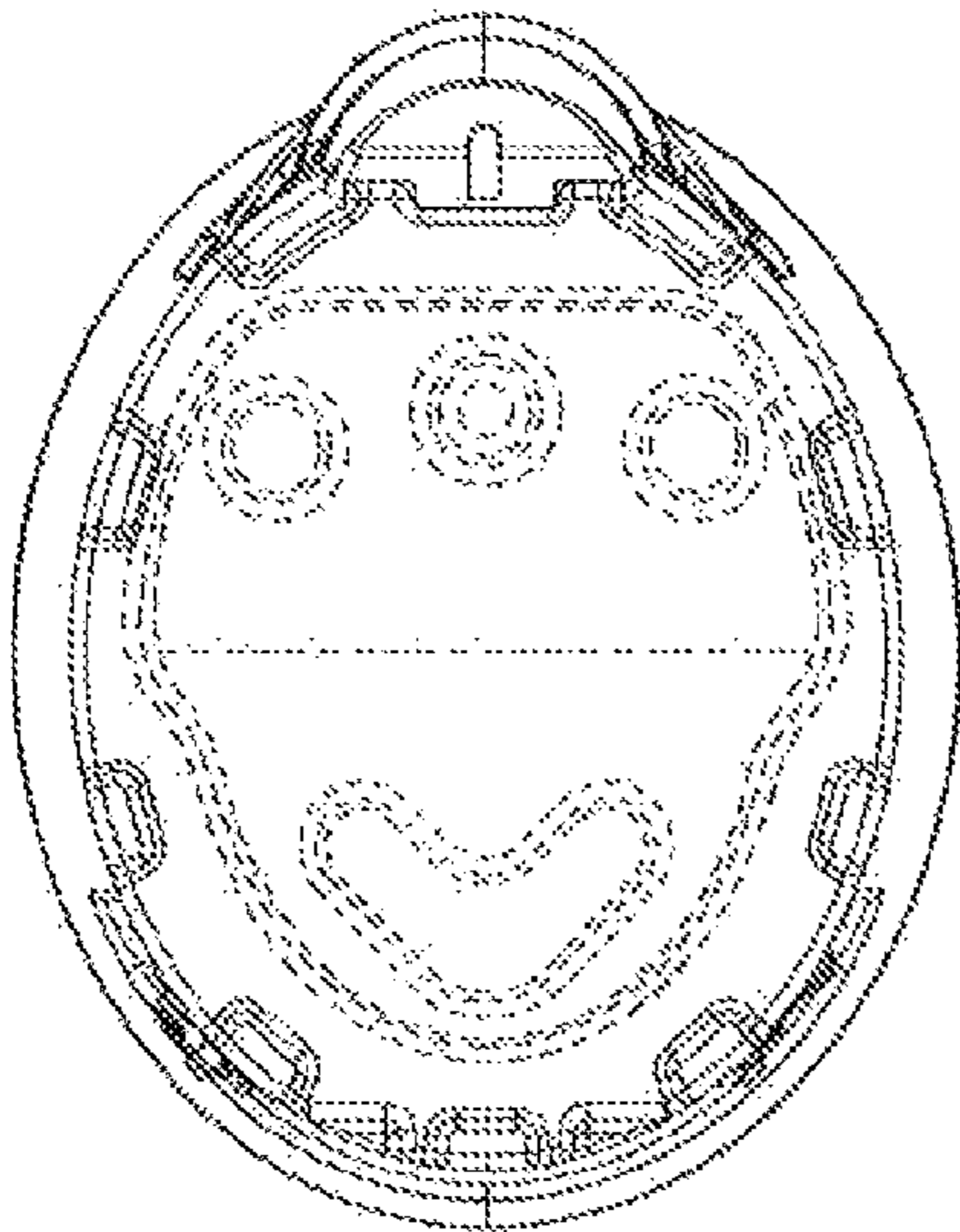


Fig. 5

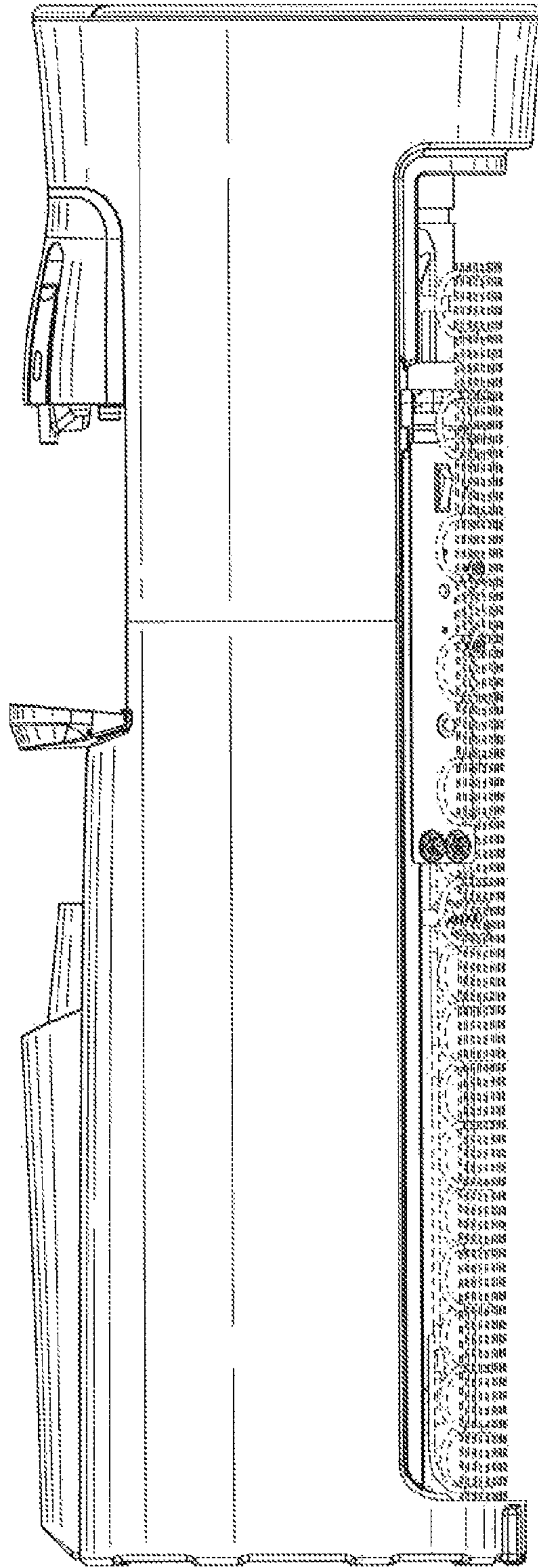


Fig. 6

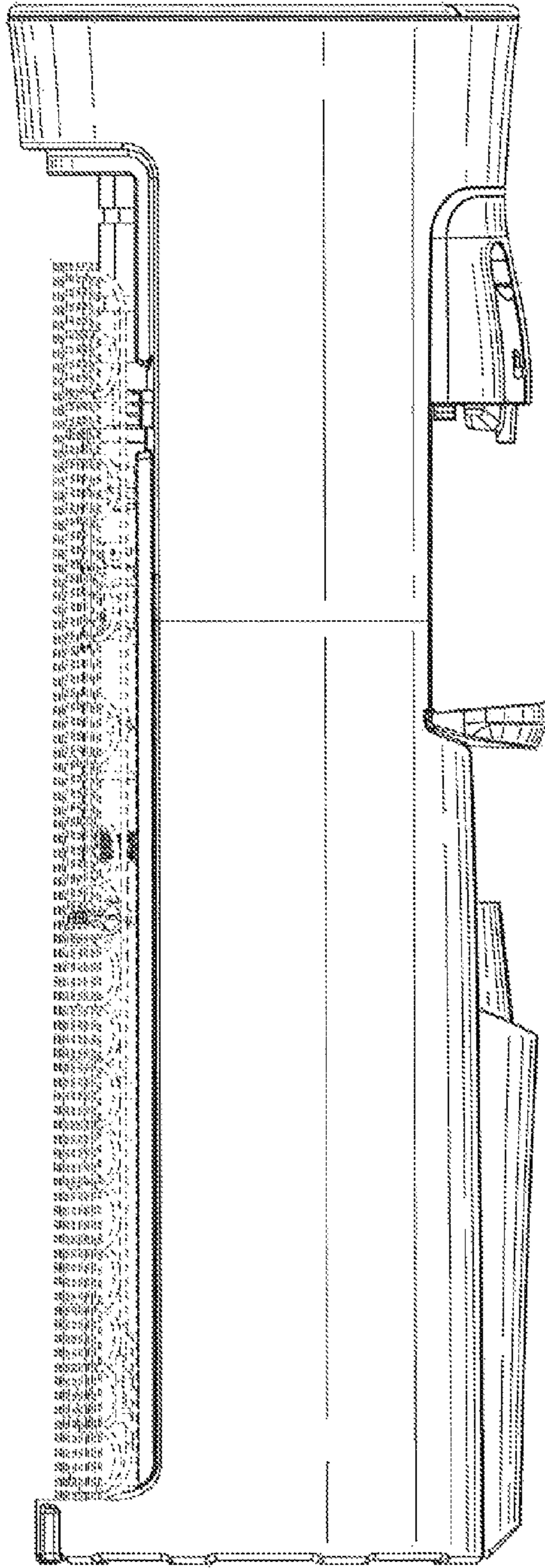


Fig. 7

