



US00D697745S

(12) **United States Design Patent**
Nagata

(10) **Patent No.:** **US D697,745 S**
(45) **Date of Patent:** **** Jan. 21, 2014**

(54) **CHAIR**

(75) Inventor: **Agato Nagata**, Kanagawa (JP)
(73) Assignee: **Okamura Corporation**, Kanagawa (JP)
(**) Term: **14 Years**

(21) Appl. No.: **29/418,995**

(22) Filed: **Apr. 24, 2012**

(30) **Foreign Application Priority Data**

Oct. 26, 2011 (JP) 2011-024708

(51) **LOC (10) Cl.** **06-01**

(52) **U.S. Cl.**
USPC **D6/709**

(58) **Field of Classification Search**

USPC D6/334-338, 349, 355, 361, 368-370,
D6/376, 379-381, 492, 500-502, 709, 710,
D6/712; 297/16.1, 42, 94, 135, 175, 232,
297/233, 350, 351, 445.1, 448.1, 448.2,
297/451.9; 5/12.1, 12.2

See application file for complete search history.

(56) **References Cited**

U.S. PATENT DOCUMENTS

D502,019 S * 2/2005 Kaiser D6/381
D509,370 S * 9/2005 Natuzzi D6/334
D626,756 S * 11/2010 Flender et al. D6/334
D633,725 S * 3/2011 Massaud D6/334
D677,911 S * 3/2013 Hamilton et al. D6/334

* cited by examiner

Primary Examiner — Sandra Snapp

(74) *Attorney, Agent, or Firm* — Sughrue Mion, PLLC

(57) **CLAIM**

The ornamental design for a chair, as shown and described.

DESCRIPTION

FIG. 1 is a perspective view of a chair.
FIG. 2 is a front elevation view thereof.
FIG. 3 is a rear elevation view thereof.
FIG. 4 is a top plan view thereof.
FIG. 5 is a bottom plan view thereof.
FIG. 6 is a right side elevation view thereof.
FIG. 7 is a left side elevation view thereof.
FIG. 8 is a sectional view of line 8-8 in FIG. 2.
FIG. 9 is a sectional view of line 9-9 in FIG. 2; and,
FIG. 10 is an enlarged sectional view taken along line 10-10 in FIG. 8.

The portions of the chair shown in broken lines are for the purpose of showing environmental structure only and form no part of the claimed design.

1 Claim, 10 Drawing Sheets

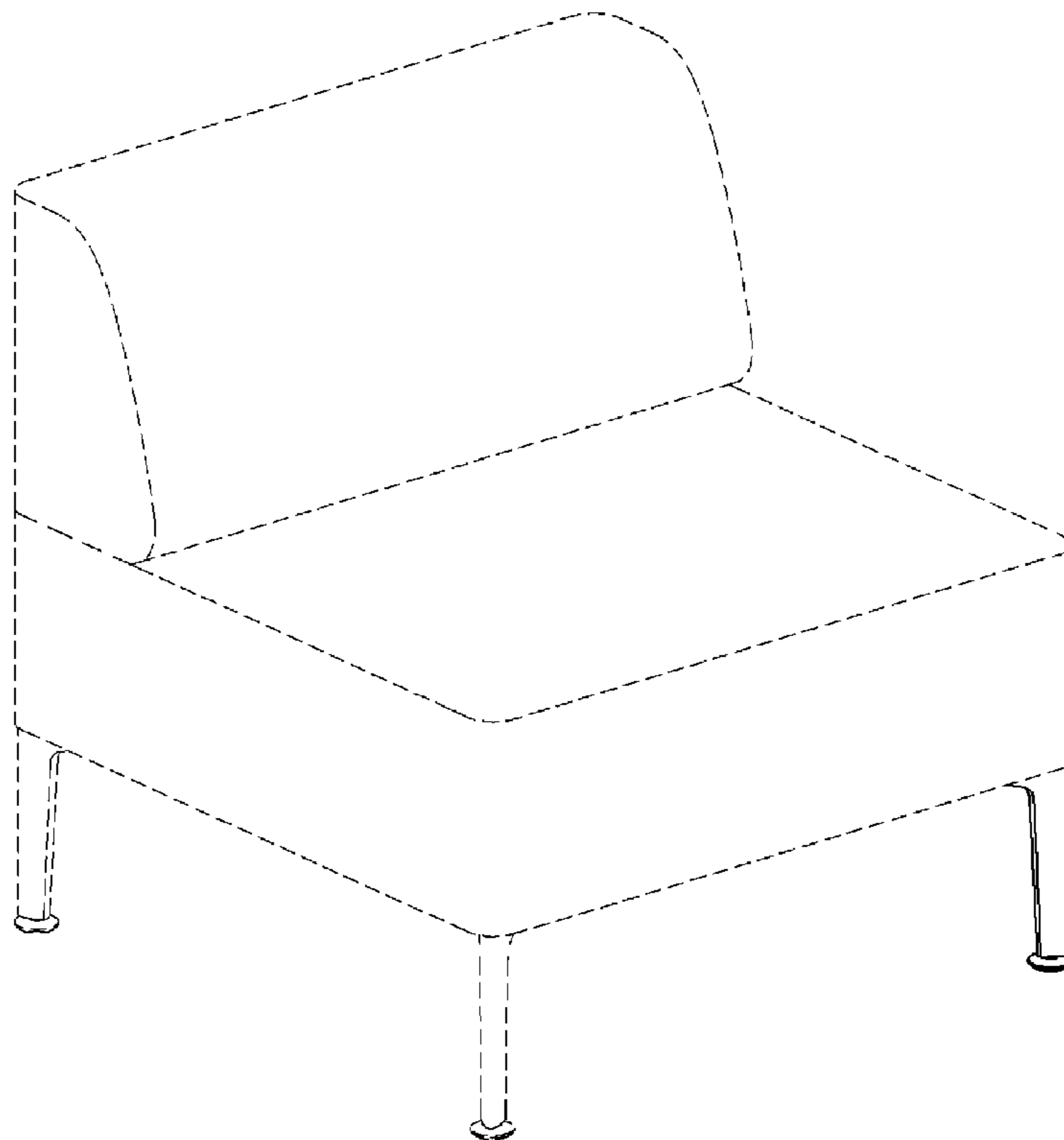


FIG. 1

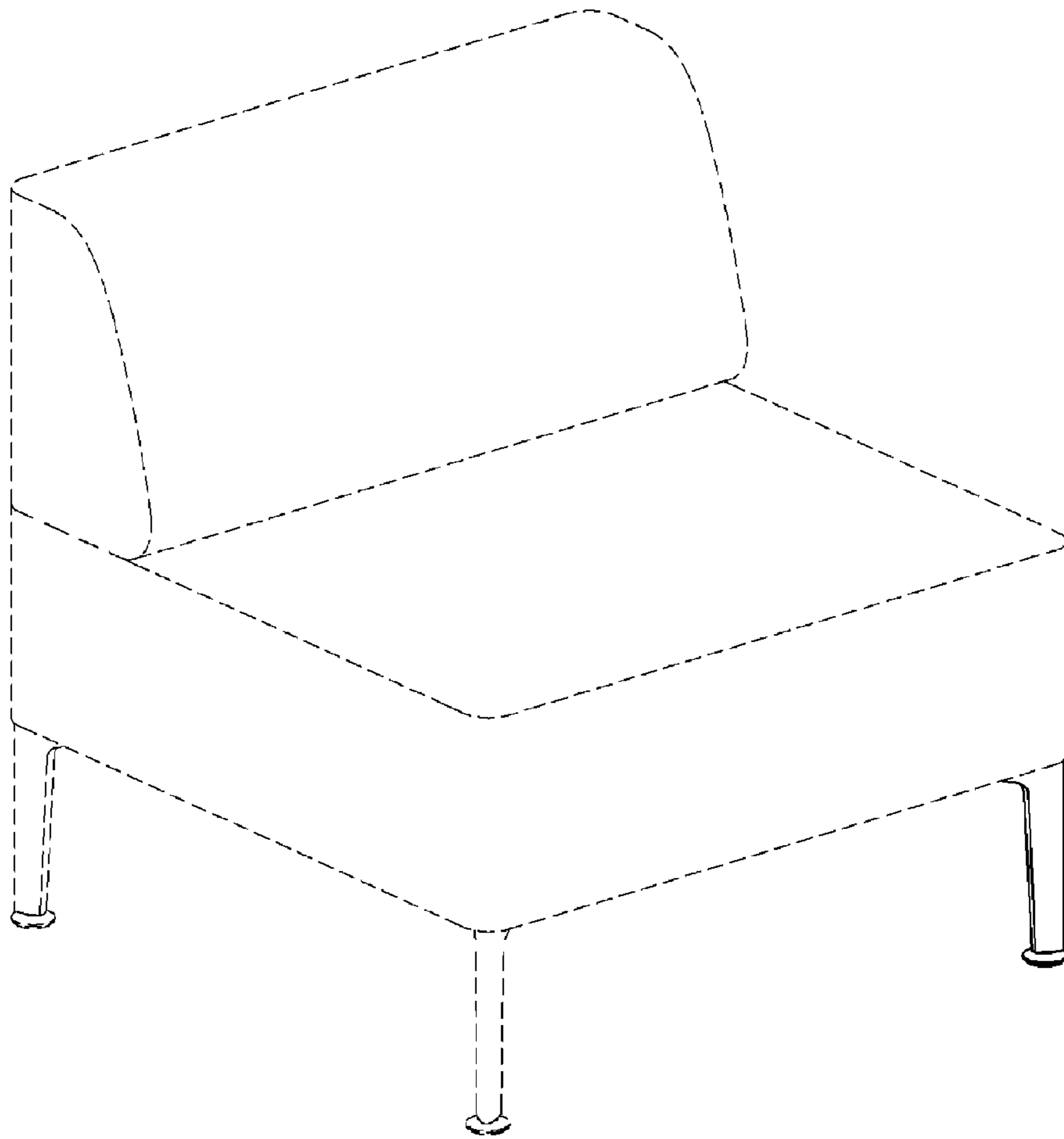


FIG. 2

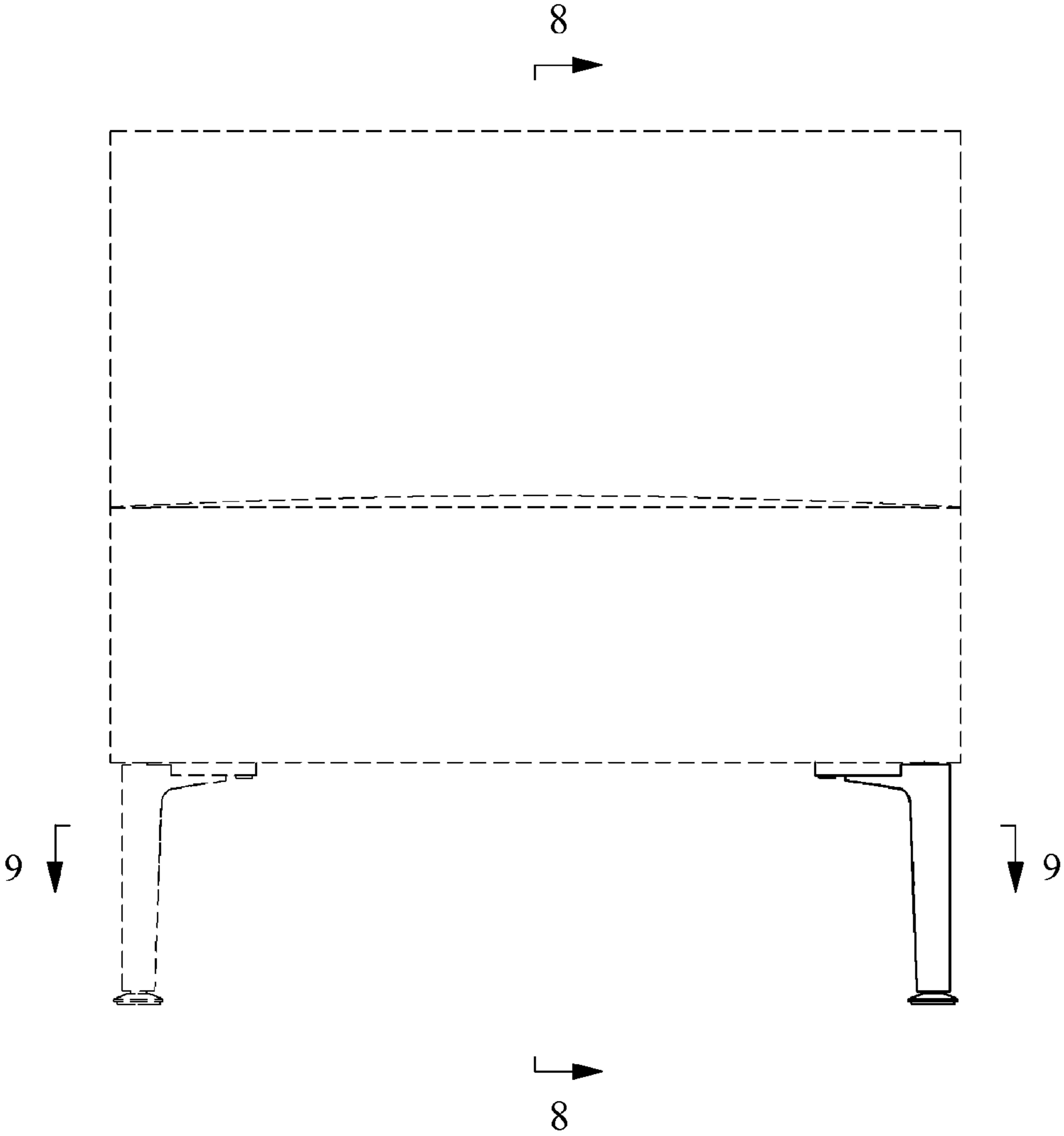


FIG. 3

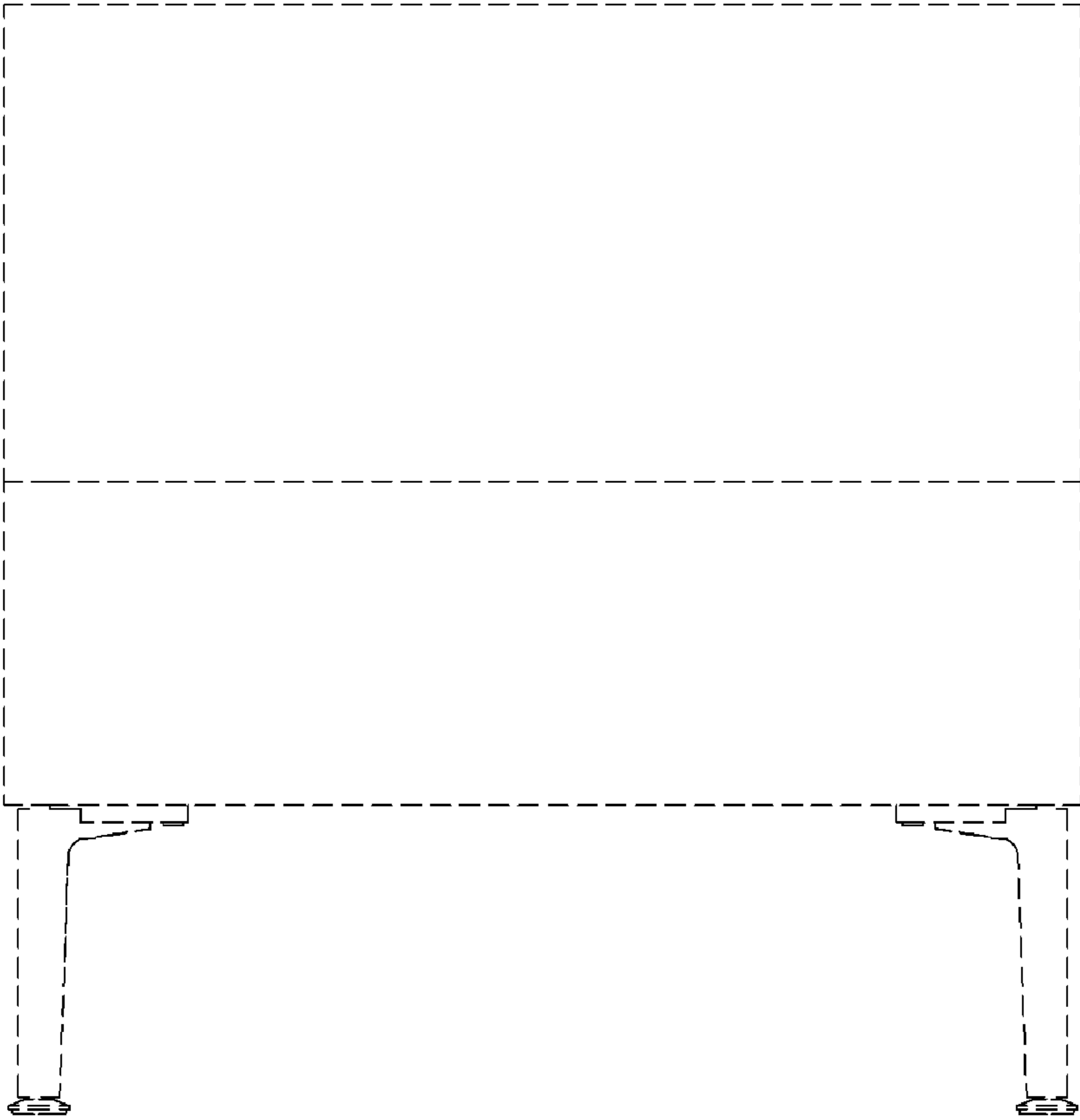


FIG. 4

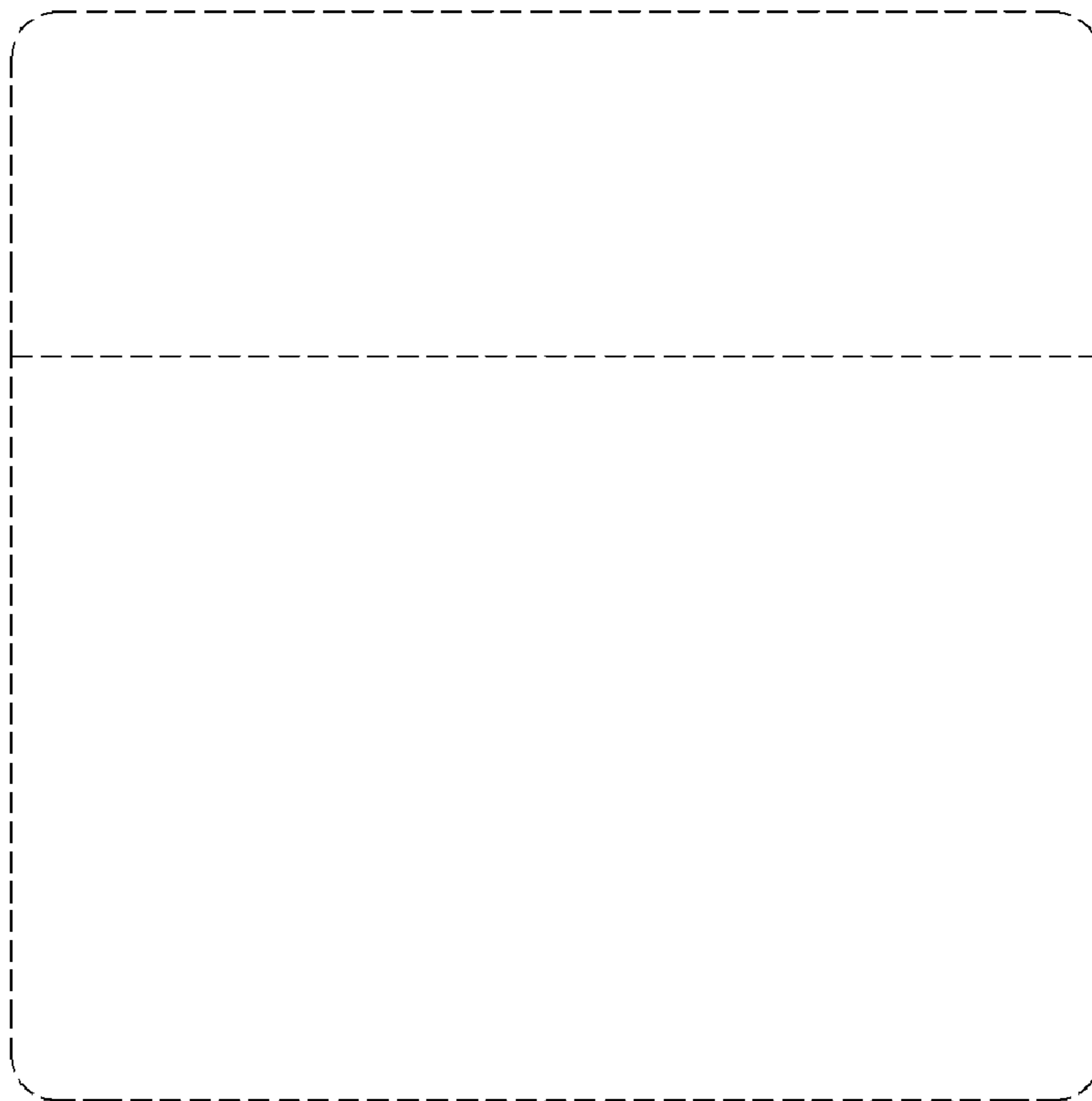


FIG. 5

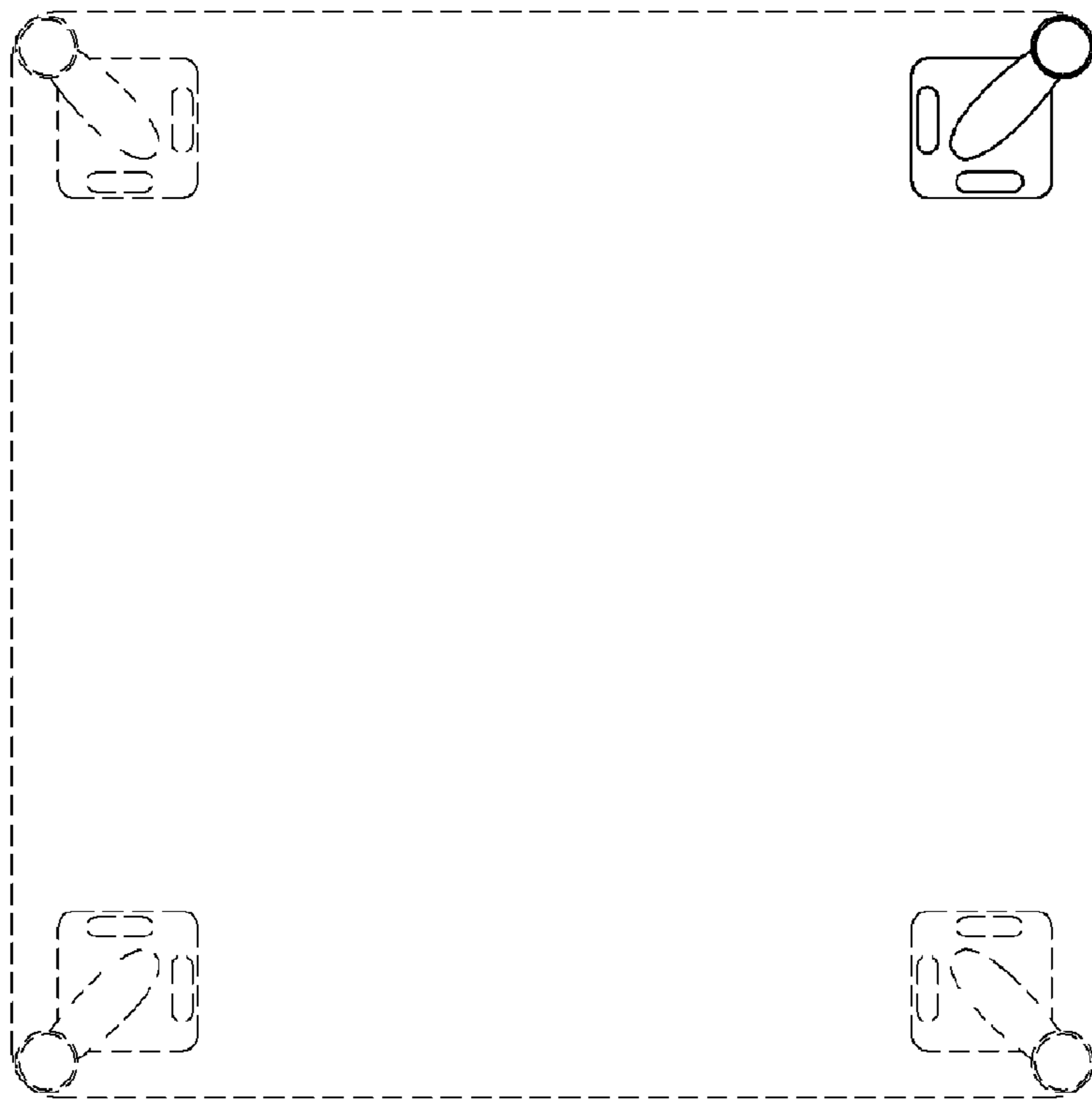


FIG. 6

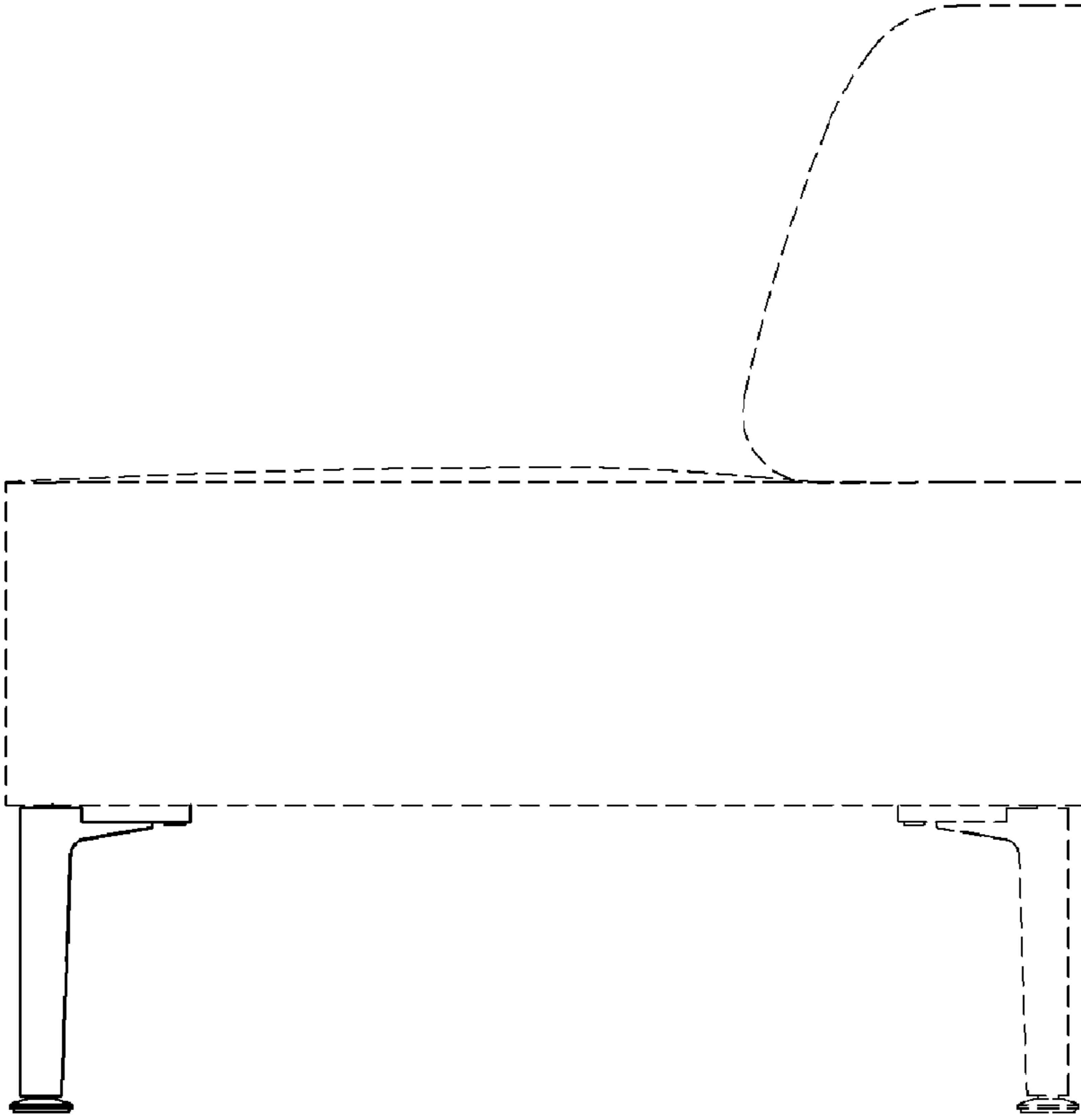


FIG. 7

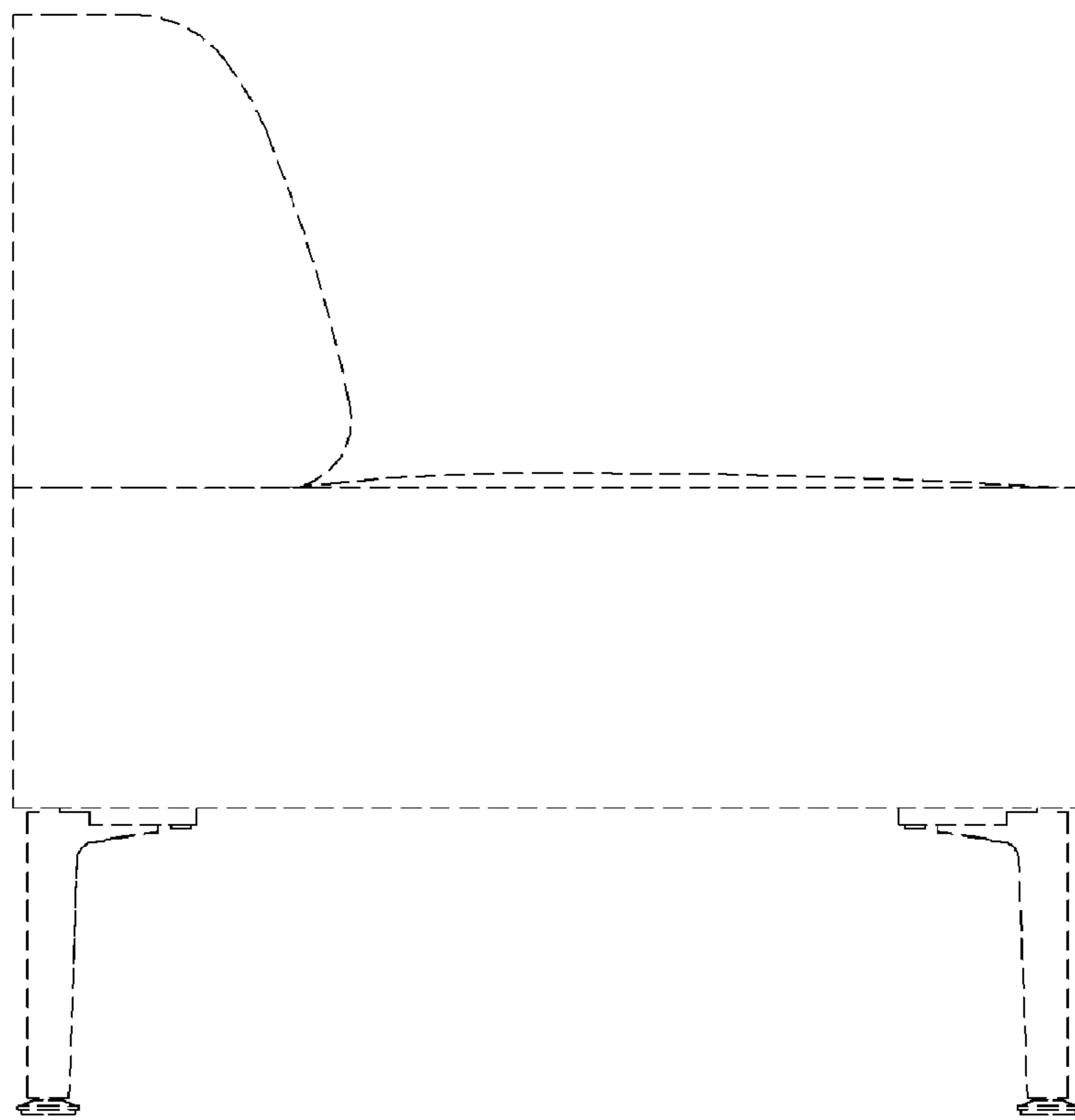


FIG. 8

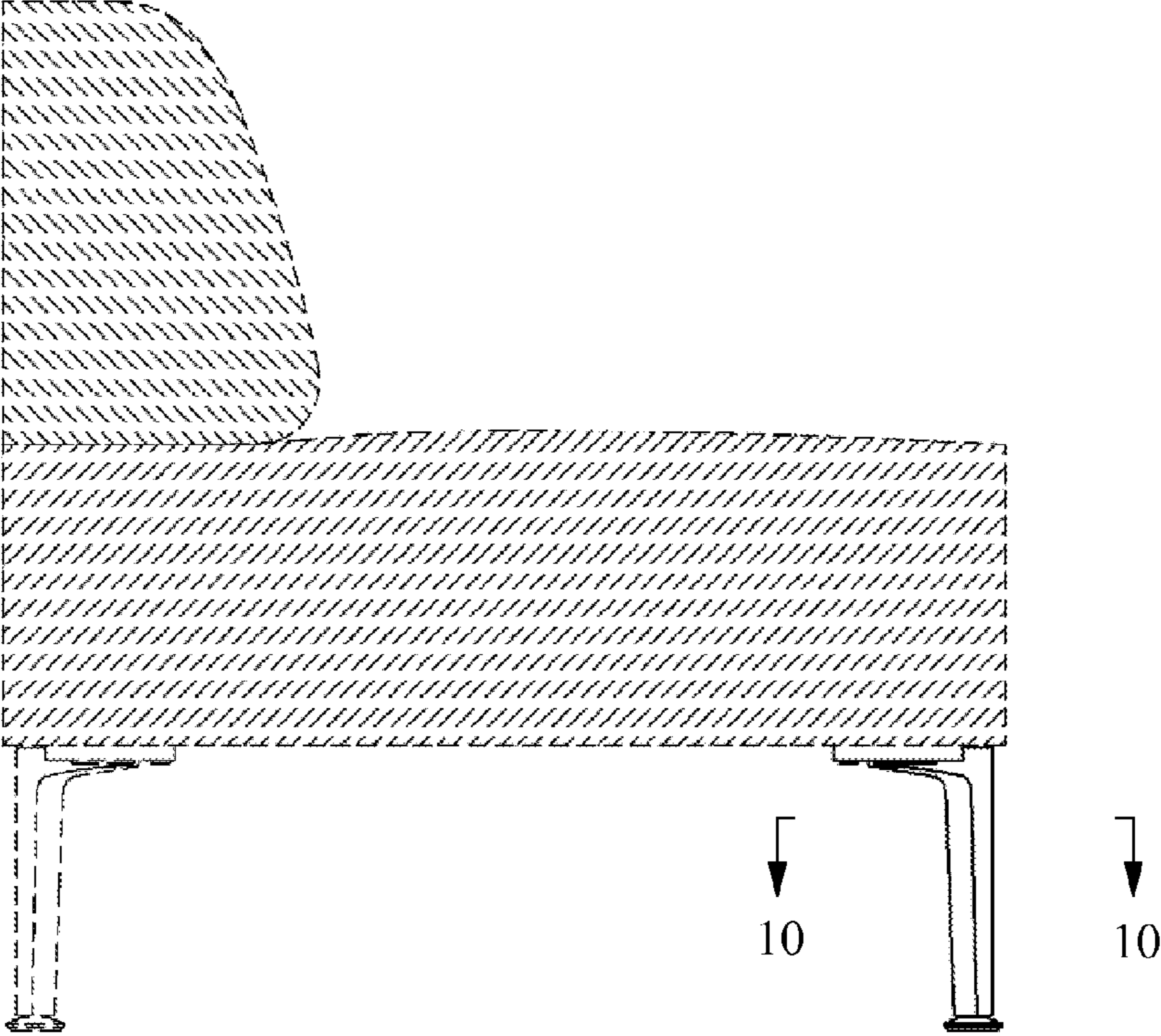


FIG. 9



FIG. 10

