



US00D697743S

(12) **United States Design Patent**
Thull

(10) **Patent No.:** **US D697,743 S**
(45) **Date of Patent:** **** Jan. 21, 2014**

(54) **TABLE**

(71) Applicant: **Anne Thull**, Tiburon, CA (US)

(72) Inventor: **Anne Thull**, Tiburon, CA (US)

(**) Term: **14 Years**

(21) Appl. No.: **29/441,939**

(22) Filed: **Jan. 10, 2013**

(51) **LOC (10) Cl.** **06-03**

(52) **U.S. Cl.**
USPC **D6/691**

(58) **Field of Classification Search**
USPC D6/691, 691.8, 691.9, 691.3, 708,
D6/708.16; 108/151, 153.1, 155, 156,
108/157.1, 158.12, 161; 248/188, 188.1

See application file for complete search history.

(56) **References Cited**

U.S. PATENT DOCUMENTS

D197,722 S *	3/1964	Crawford	D6/482
D215,735 S *	10/1969	Melvin	D6/487
D627,993 S *	11/2010	Pearl et al.	D6/495
D642,406 S *	8/2011	Sofield	D6/484

* cited by examiner

Primary Examiner — Janice Seeger

(74) *Attorney, Agent, or Firm* — Bay Area Technology Law Group PC

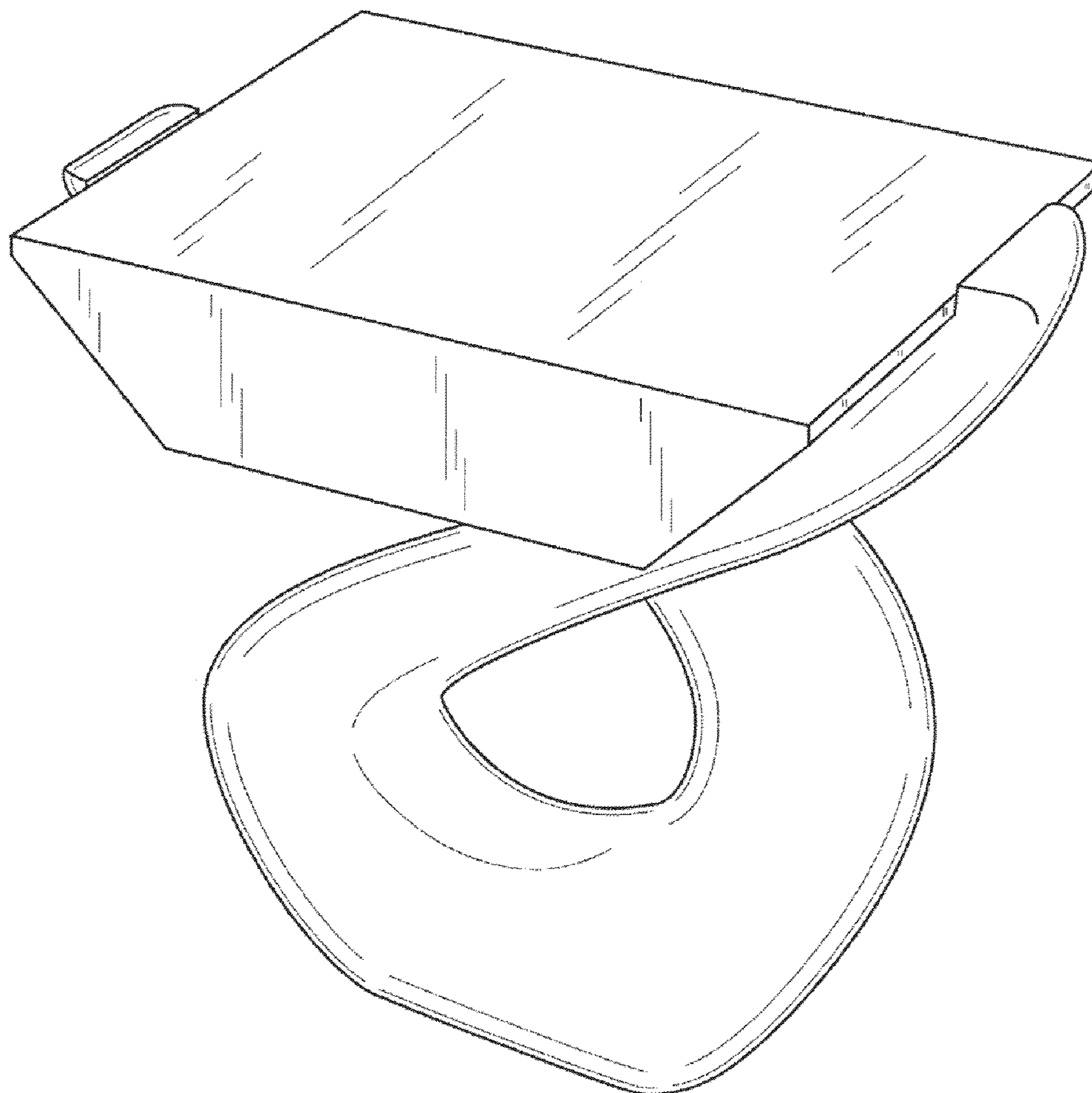
(57) **CLAIM**

The ornamental design for a table, as shown and described.

DESCRIPTION

FIG. 1 is a perspective view of a table showing my new design;
FIG. 2 is a top view of FIG. 1;
FIG. 3 is a bottom view of FIG. 1;
FIG. 4 is a side view of FIG. 1; and,
FIG. 5 is a front view of FIG. 1.

1 Claim, 2 Drawing Sheets



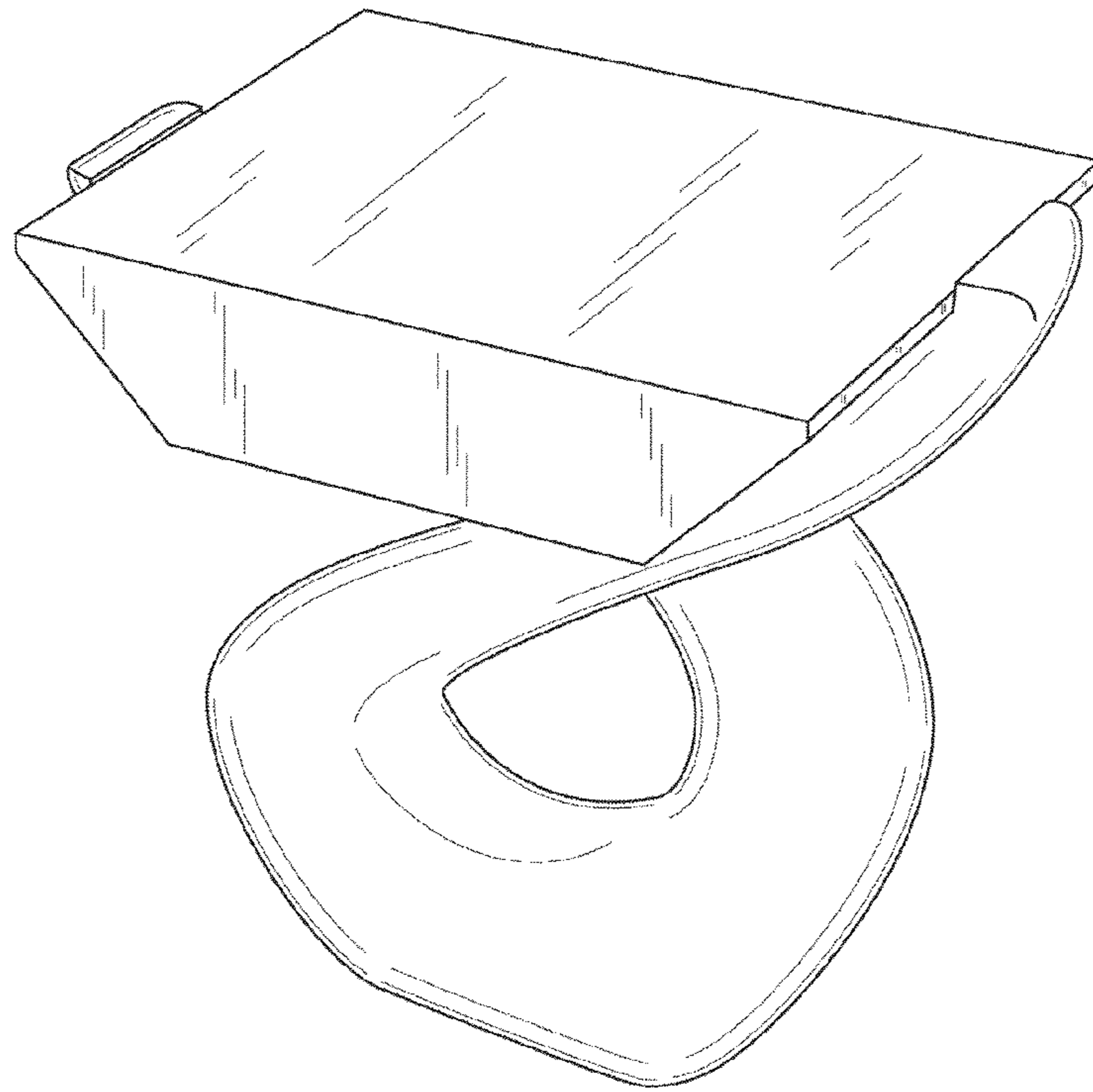


FIG. 1

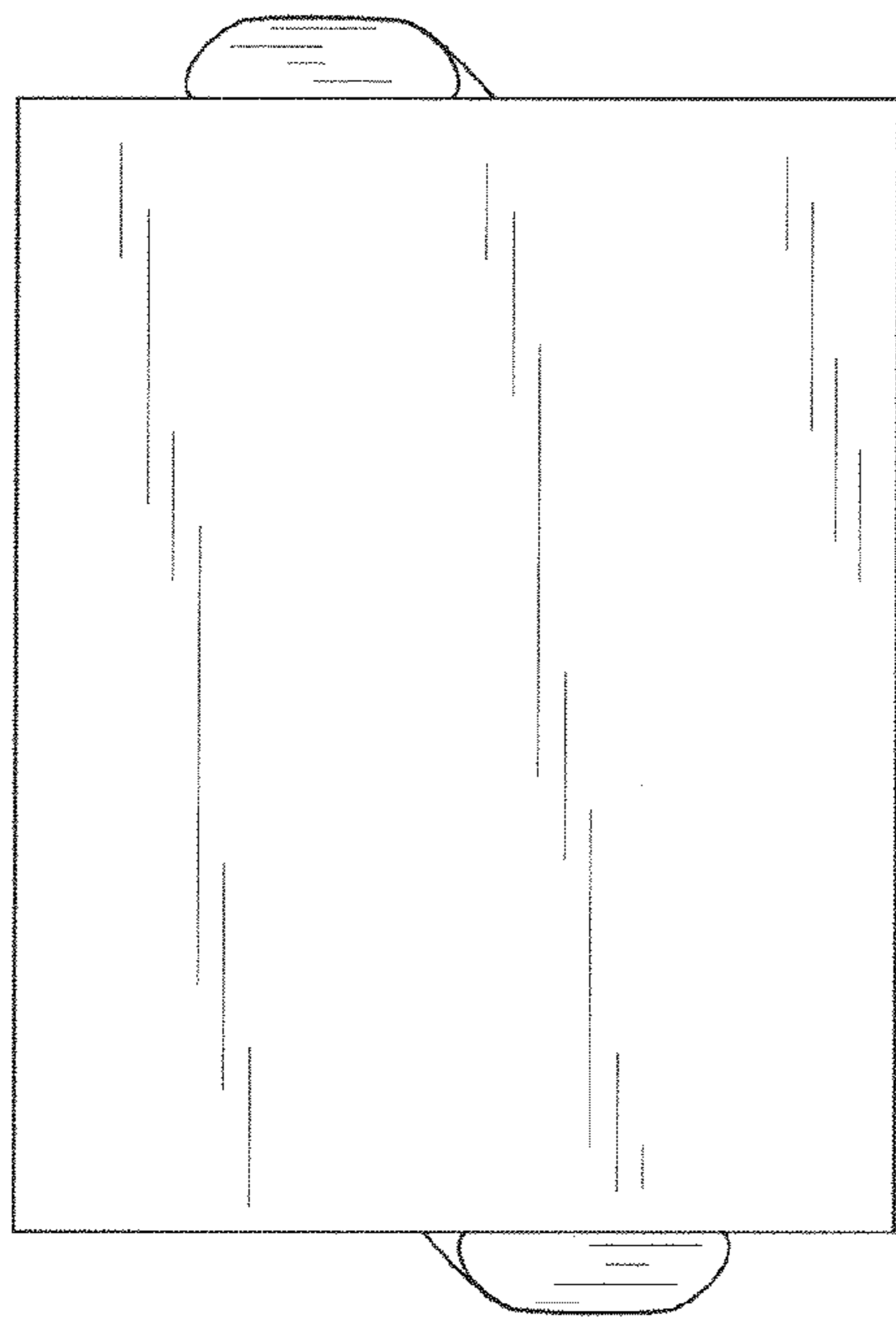


FIG. 2

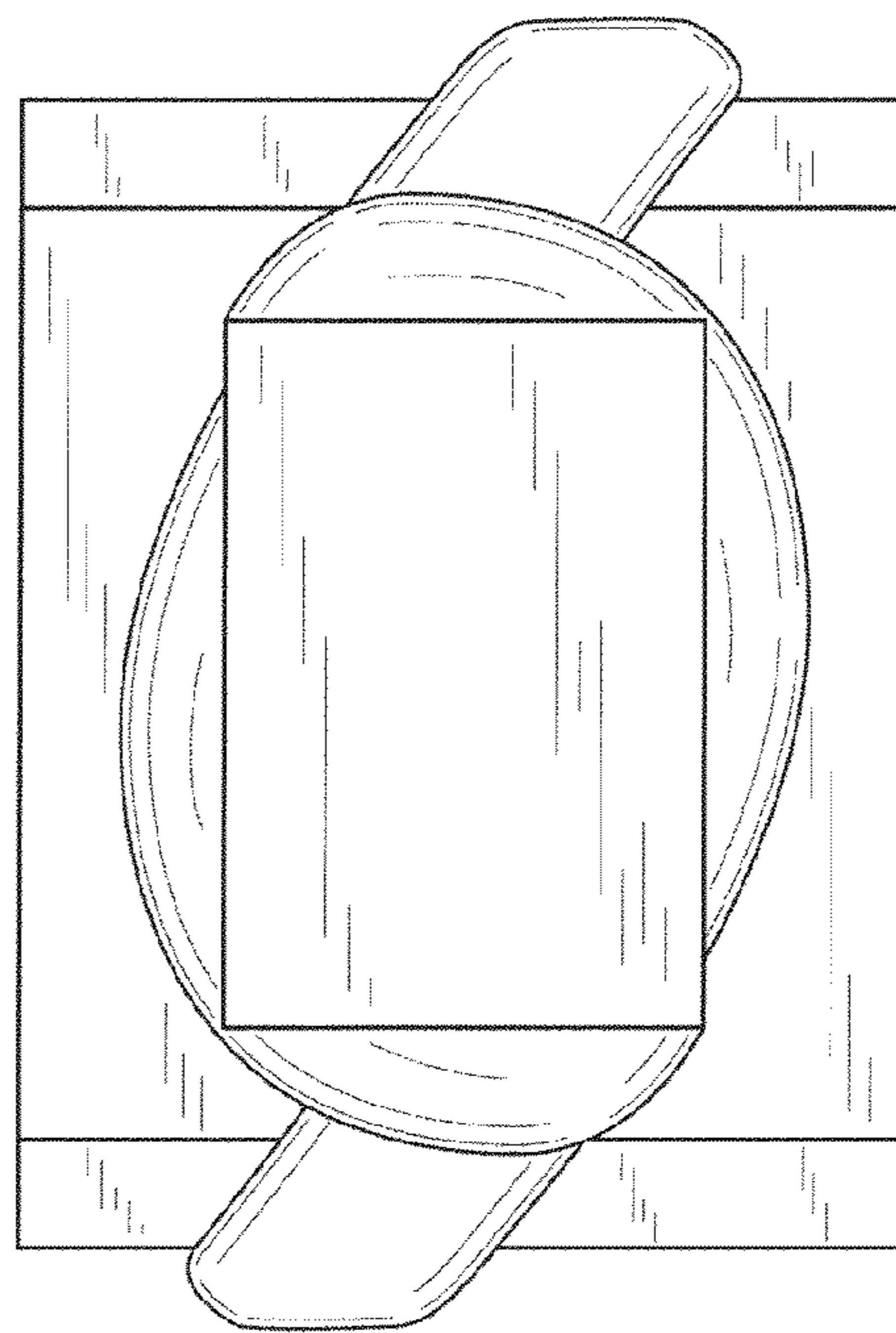


FIG. 3

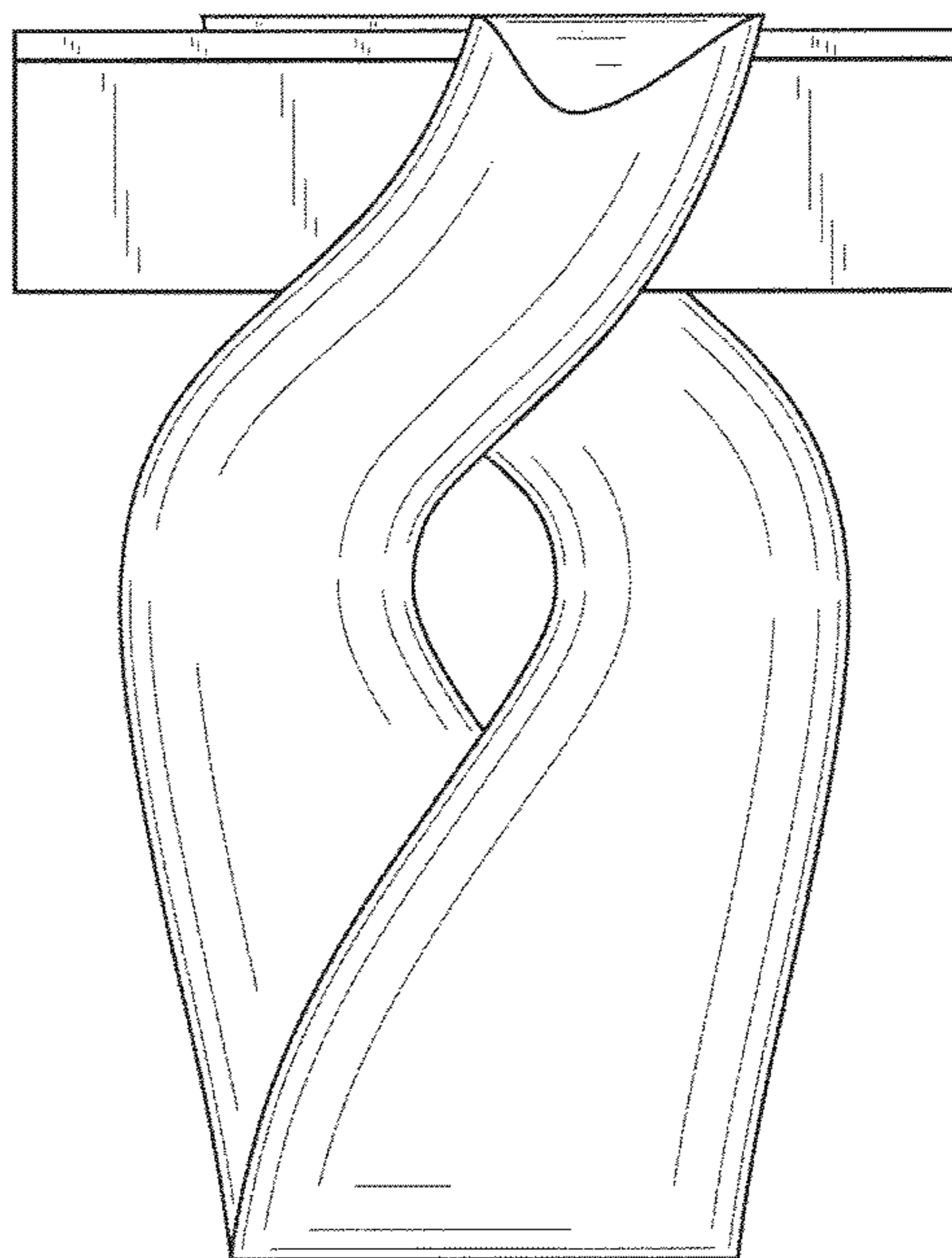


FIG. 4

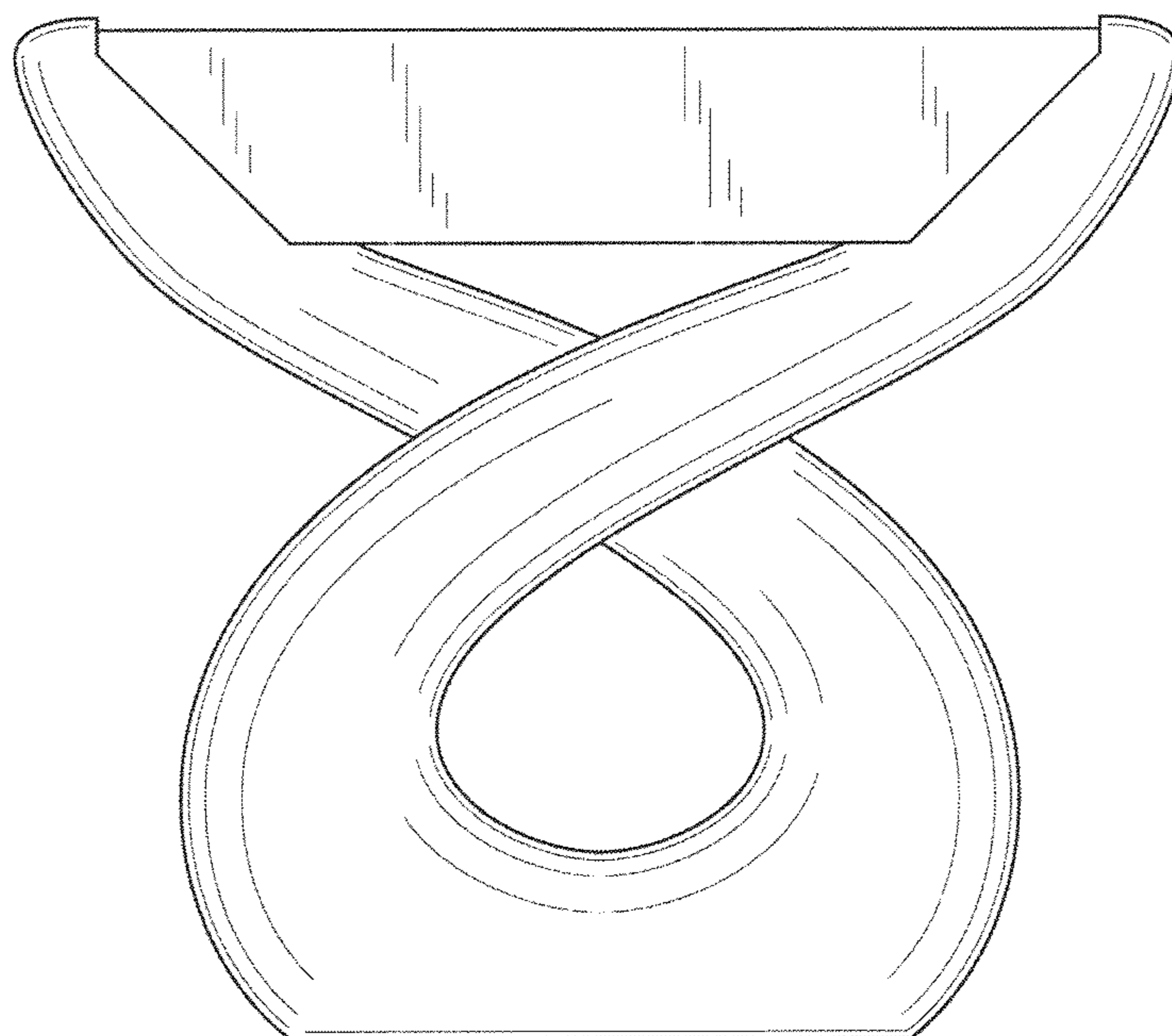


FIG. 5