



US00D697741S

(12) **United States Design Patent**  
**Musheyev**

(10) **Patent No.:** **US D697,741 S**  
(45) **Date of Patent:** **\*\* Jan. 21, 2014**

(54) **CIRCULAR JEWELRY DISPLAY PYRAMID**

(71) Applicant: **Boris Musheyev**, Flushing, NY (US)

(72) Inventor: **Boris Musheyev**, Flushing, NY (US)

(\*\*) Term: **14 Years**

(21) Appl. No.: **29/438,790**

(22) Filed: **Dec. 3, 2012**

(51) **LOC (10) Cl.** ..... **06-06**

(52) **U.S. Cl.**  
USPC ..... **D6/677.5**

(58) **Field of Classification Search**  
USPC ..... D6/449, 460–461, 465–467, 469, 474,  
D6/477–479, 677, 677.1, 677.2, 677.3,  
D6/677.4, 677.5; D7/501; 211/70.7–70.8,  
211/13.1, 85.3, 134, 182, 86.01, 186–190;  
248/519

See application file for complete search history.

(56) **References Cited**

**U.S. PATENT DOCUMENTS**

D259,629 S *	6/1981	Titus .....	D11/144
D304,554 S *	11/1989	Dinerman .....	D11/147
D322,186 S *	12/1991	Rubbico .....	D6/460
D335,593 S *	5/1993	France .....	D6/457
D360,782 S *	8/1995	Wright .....	D6/467
D361,678 S *	8/1995	Tavone et al. ....	D6/457
D373,032 S *	8/1996	Williamson-Markman ...	D6/437
D380,350 S *	7/1997	Tortorella et al. ....	D7/558

D386,115 S *	11/1997	Vanschaik .....	D11/152
D401,810 S *	12/1998	Swift .....	D7/553.6
D420,835 S *	2/2000	Pezzullo .....	D6/460
D421,195 S *	2/2000	Pezzullo .....	D6/460
D454,722 S *	3/2002	Novel .....	D6/415
D507,602 S *	7/2005	Siegel .....	D19/85
D552,881 S *	10/2007	Rittmann .....	D6/469
D603,187 S *	11/2009	Conway .....	D6/460
D603,657 S *	11/2009	Tu .....	D7/622
D655,000 S *	2/2012	Mirigian .....	D24/130

\* cited by examiner

*Primary Examiner* — Kelley Donnelly

(74) *Attorney, Agent, or Firm* — Edward N Gewirtz

(57) **CLAIM**

The ornamental design for a circular jewelry display pyramid, as shown and described.

**DESCRIPTION**

FIG. 1 is a perspective view of a circular jewelry display pyramid.

FIG. 2 is a front elevation view of a circular jewelry display pyramid. The back view being identical to the front view.

FIG. 3 is a side elevation view thereof, the opposite side view being the same.

FIG. 4 is a top view thereof; and,

FIG. 5 is a bottom view thereof.

The broken lines are for the purpose of illustrating the environment of the design only and form no part of the claimed design.

**1 Claim, 4 Drawing Sheets**

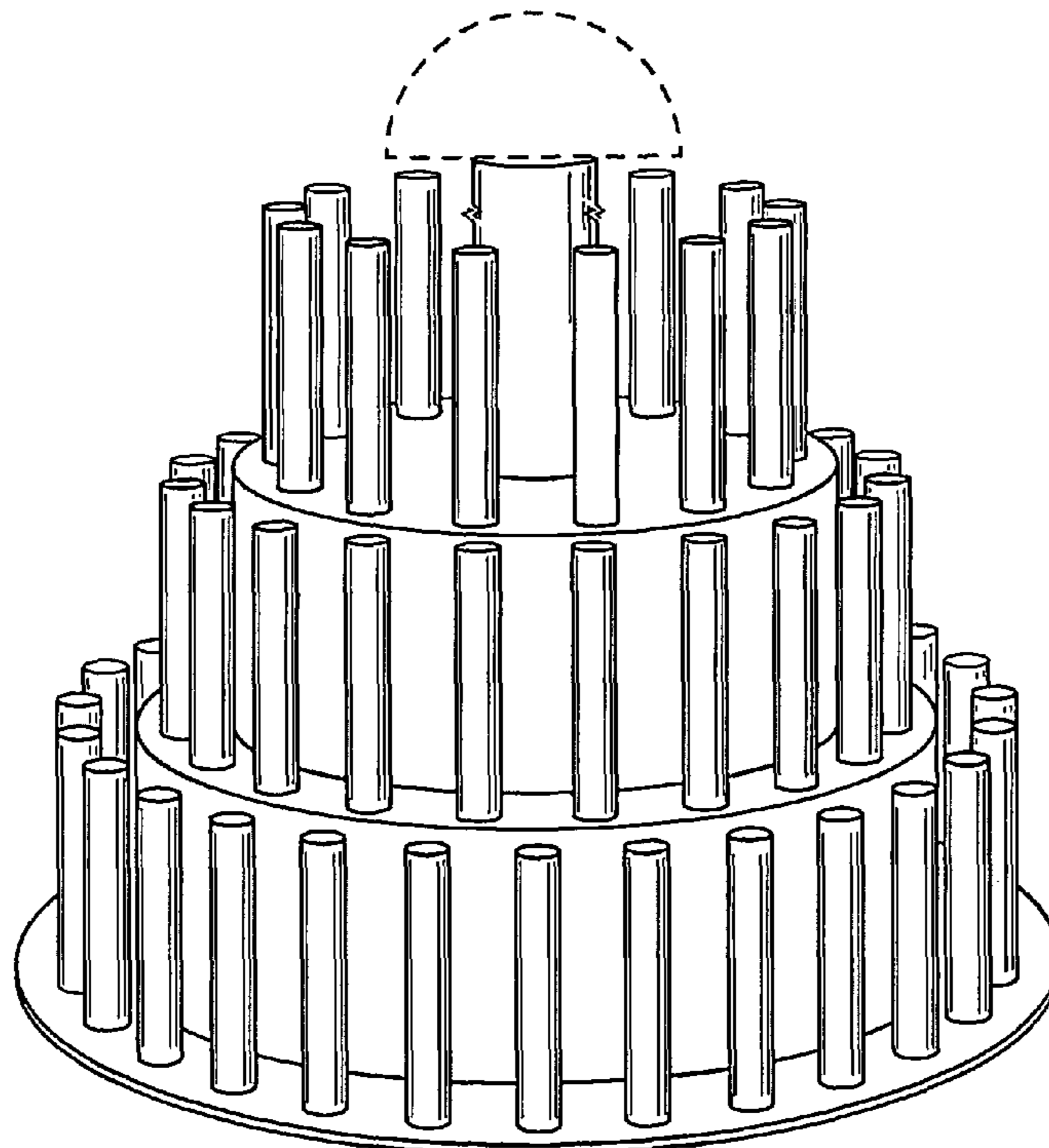


FIG. 1

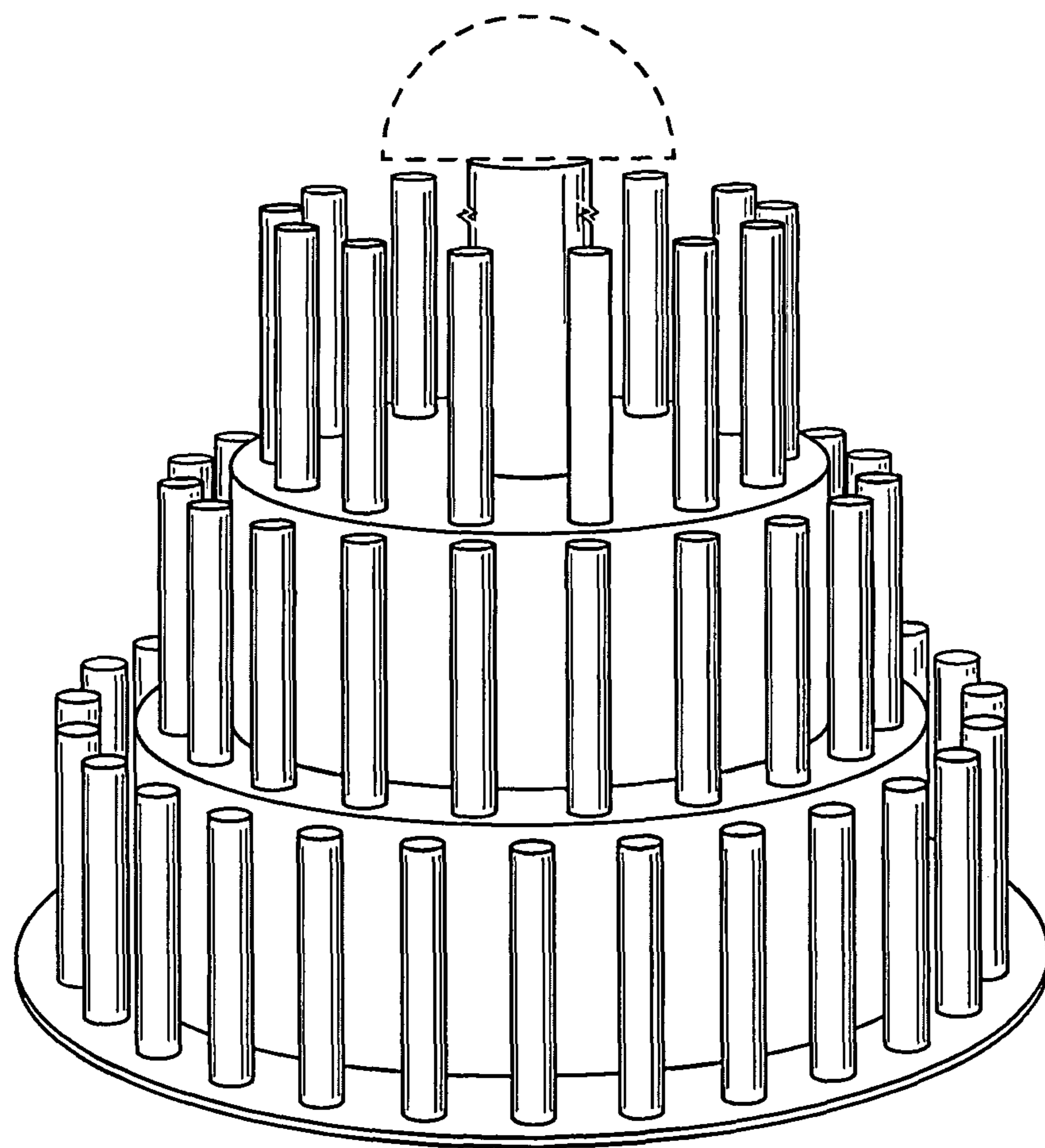
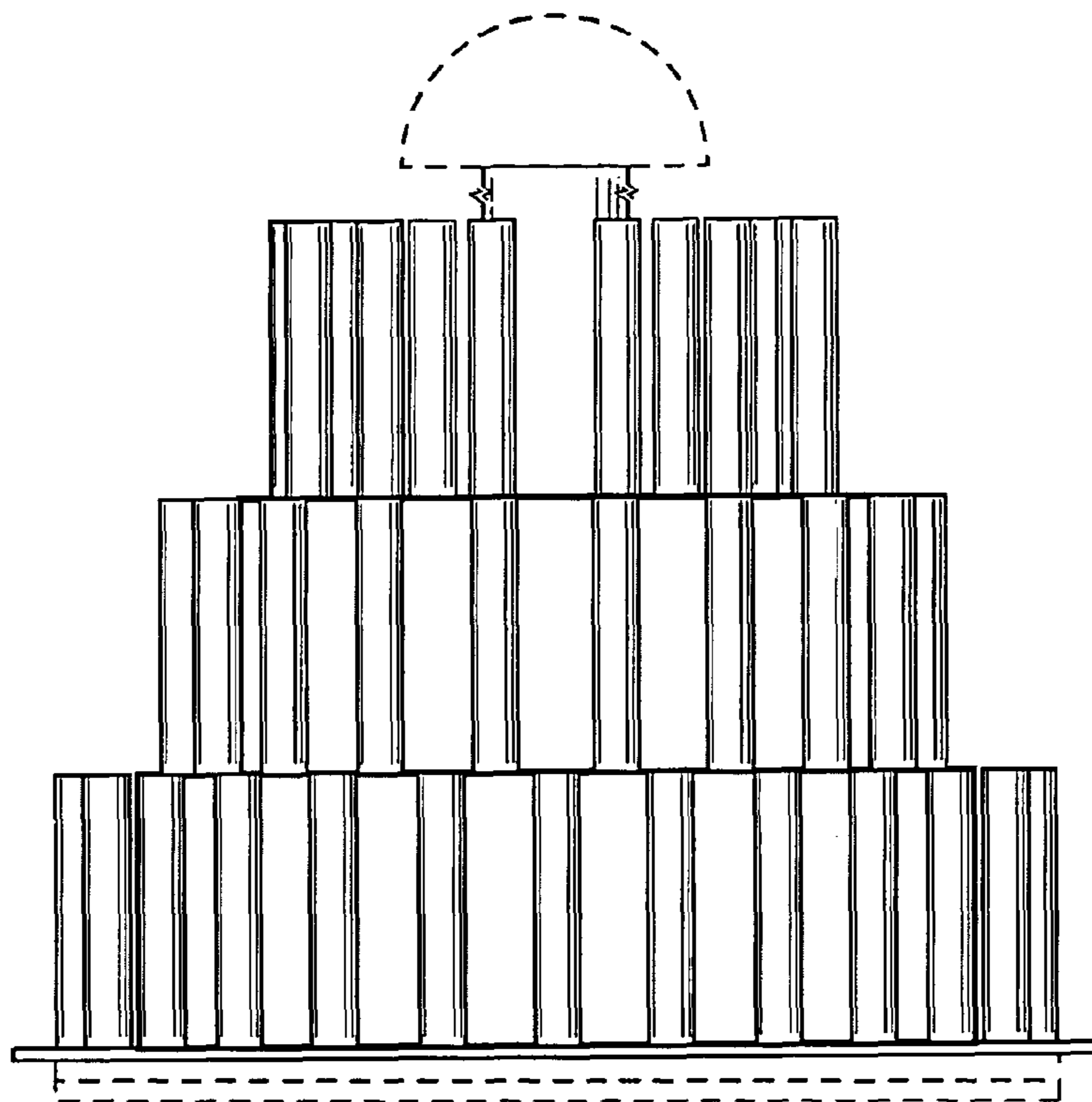
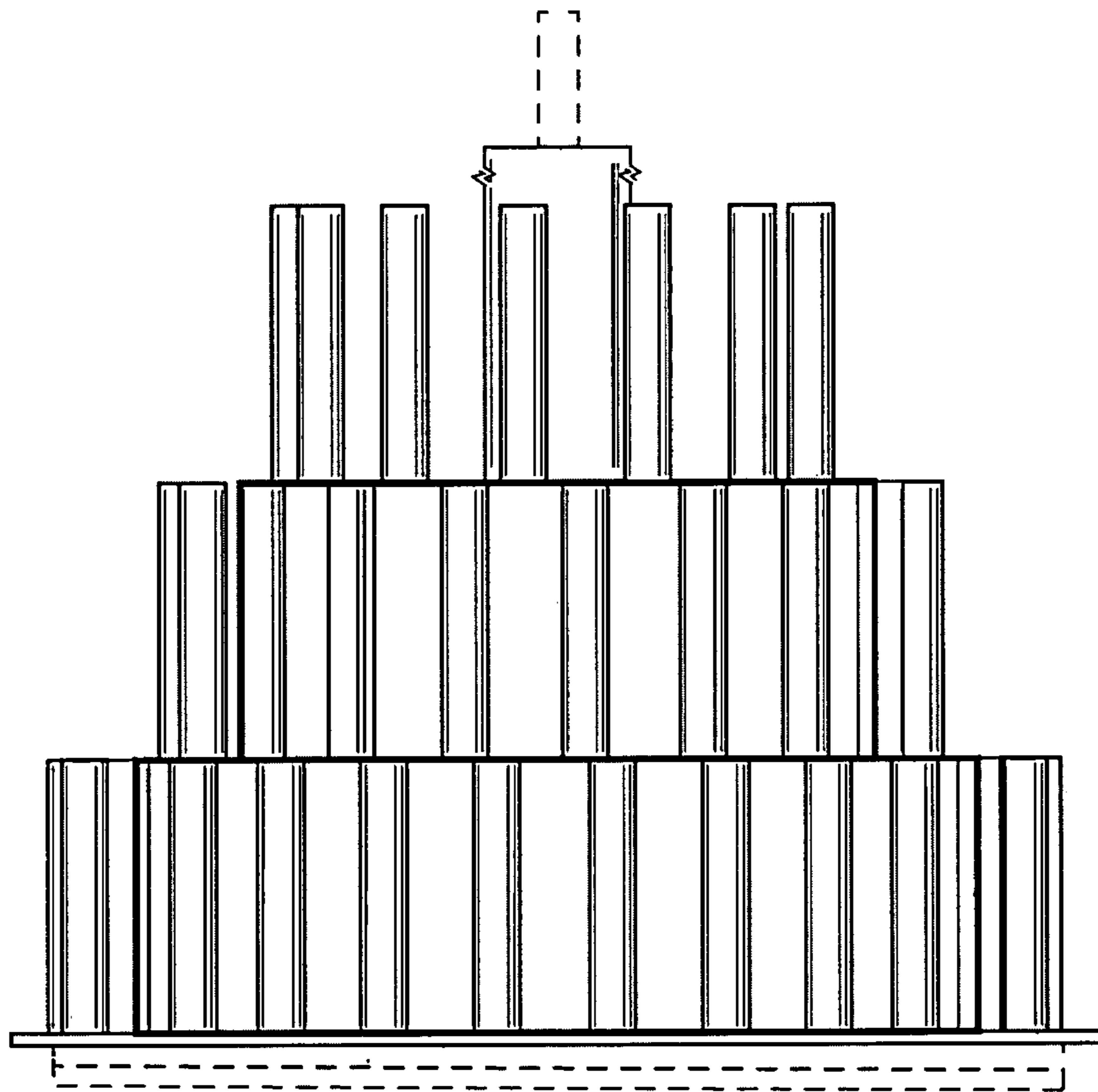


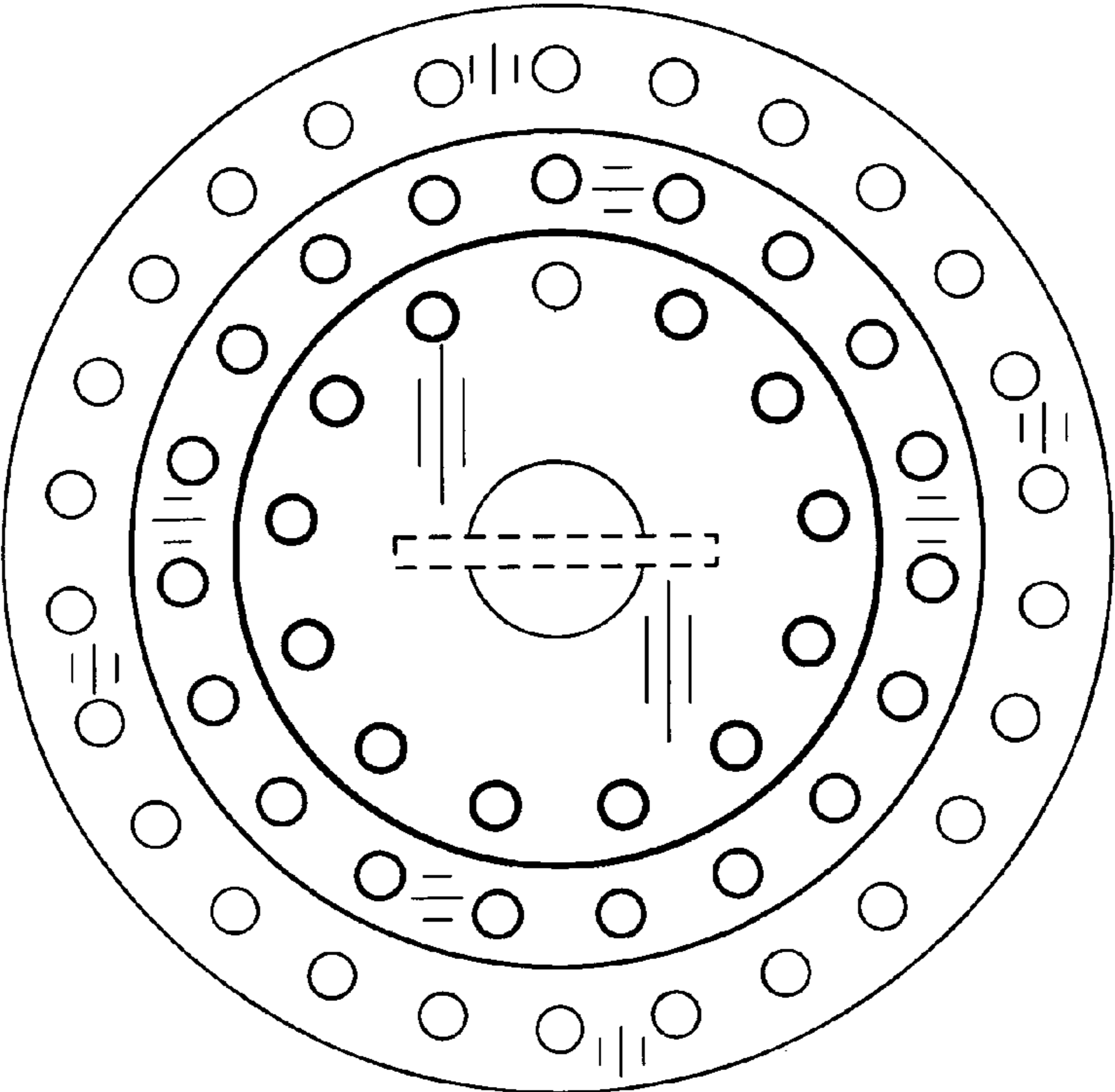
FIG. 2



**FIG. 3**



**FIG. 4**



**FIG. 5**

