



US00D697739S

(12) **United States Design Patent**
Nabeta

(10) **Patent No.:** **US D697,739 S**
(45) **Date of Patent:** **** Jan. 21, 2014**

- (54) **CUSHION FOR A WALKER**
 - (71) Applicant: **Esther Juliet V. Nabeta**, Tustin, CA
(US)
 - (72) Inventor: **Esther Juliet V. Nabeta**, Tustin, CA
(US)
 - (**) Term: **14 Years**
 - (21) Appl. No.: **29/435,275**
 - (22) Filed: **Oct. 22, 2012**
 - (51) **LOC (10) Cl.** **06-09**
 - (52) **U.S. Cl.**
USPC **D6/601**
 - (58) **Field of Classification Search**
USPC D6/595-597, 601, 604, 331, 390;
5/630, 632, 636, 640, 646, 417, 420,
5/652, 653, 655, 655.9, 656, 907, 945;
D12/130, 400
- See application file for complete search history.

5,809,597	A *	9/1998	Shaw	5/655.3
6,023,802	A *	2/2000	King	5/655
6,065,166	A *	5/2000	Sharrock et al.	5/630
6,142,573	A	11/2000	Harding et al.		
D438,046	S *	2/2001	Palm	D6/601
6,338,493	B1	1/2002	Wohlgemuth et al.		
6,996,864	B2	2/2006	Call		
7,040,637	B2	5/2006	Owens et al.		
7,377,285	B2	5/2008	Karasin et al.		
7,481,445	B1	1/2009	Danziger		
7,926,834	B2	4/2011	Willis		
D686,025	S *	7/2013	Blazure	D6/601
2010/0095459	A1 *	4/2010	Lambert et al.	5/653

* cited by examiner

Primary Examiner — Janice Seeger
(74) *Attorney, Agent, or Firm* — Stetina Brunda Garred & Brucker; Lowell Anderson

(57) **CLAIM**
The ornamental design for a cushion for a walker, as shown and described.

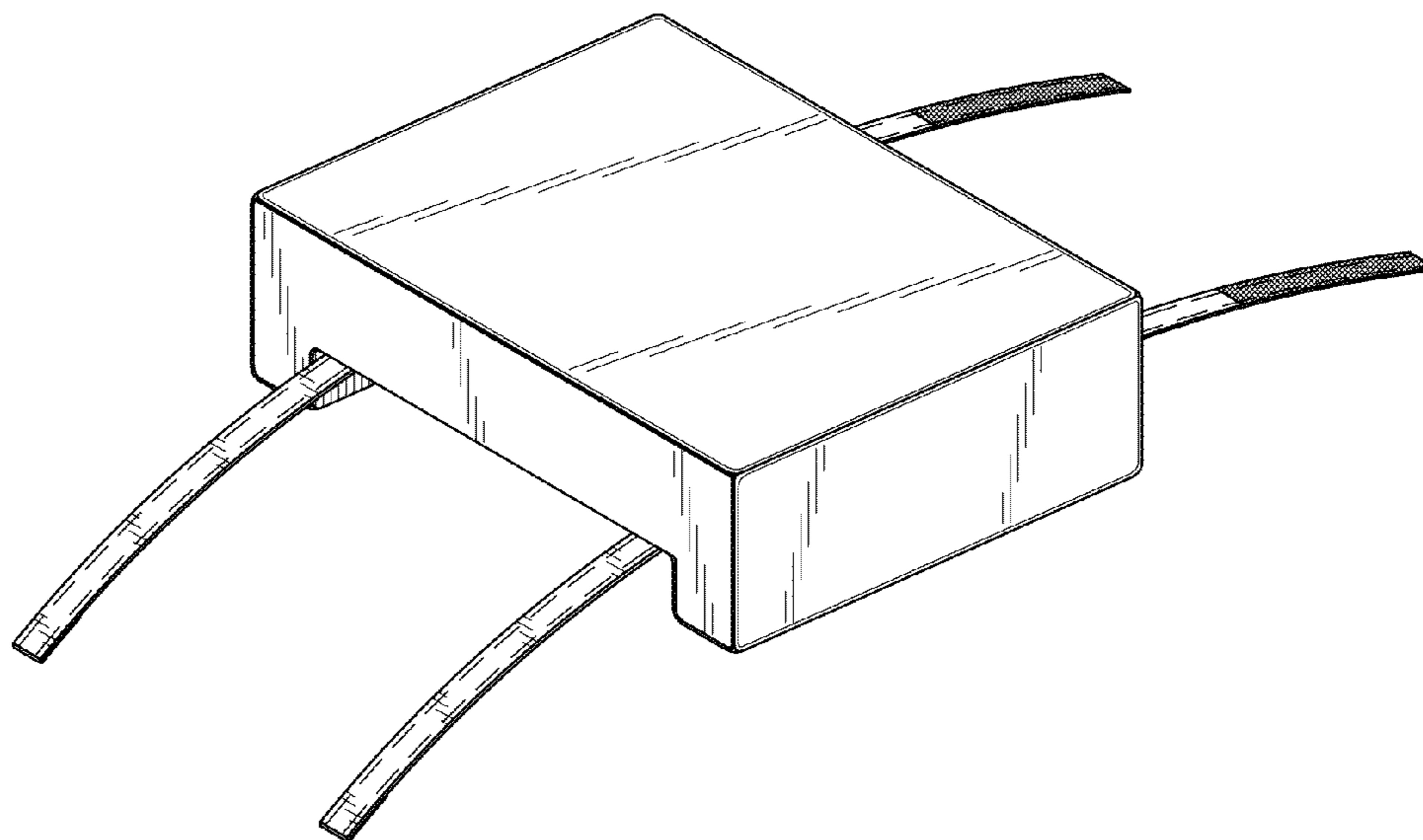
DESCRIPTION

FIG. 1 is a perspective view of a cushion for a walker which is shown in broken lines, the broken lines show the environmental use of the cushion and form no part of the claimed invention;

FIG. 2 is top perspective view of the cushion for a walker of FIG. 1 with connecting straps extended; and, FIG. 3 is a bottom perspective view of the cushion for a walker in FIG. 2 with the connecting straps extended.

1 Claim, 2 Drawing Sheets

- (56) **References Cited**
U.S. PATENT DOCUMENTS
- | | | | | | |
|-----------|-----|---------|------------------|-------|--------|
| 2,866,495 | A | 12/1958 | Diehl et al. | | |
| 5,165,130 | A * | 11/1992 | Wendling | | 5/655 |
| 5,295,498 | A | 3/1994 | Van Meter et al. | | |
| 5,451,193 | A | 9/1995 | Pickard | | |
| 5,613,256 | A | 3/1997 | Hanson | | |
| D397,270 | S * | 8/1998 | Maalouf | | D6/601 |



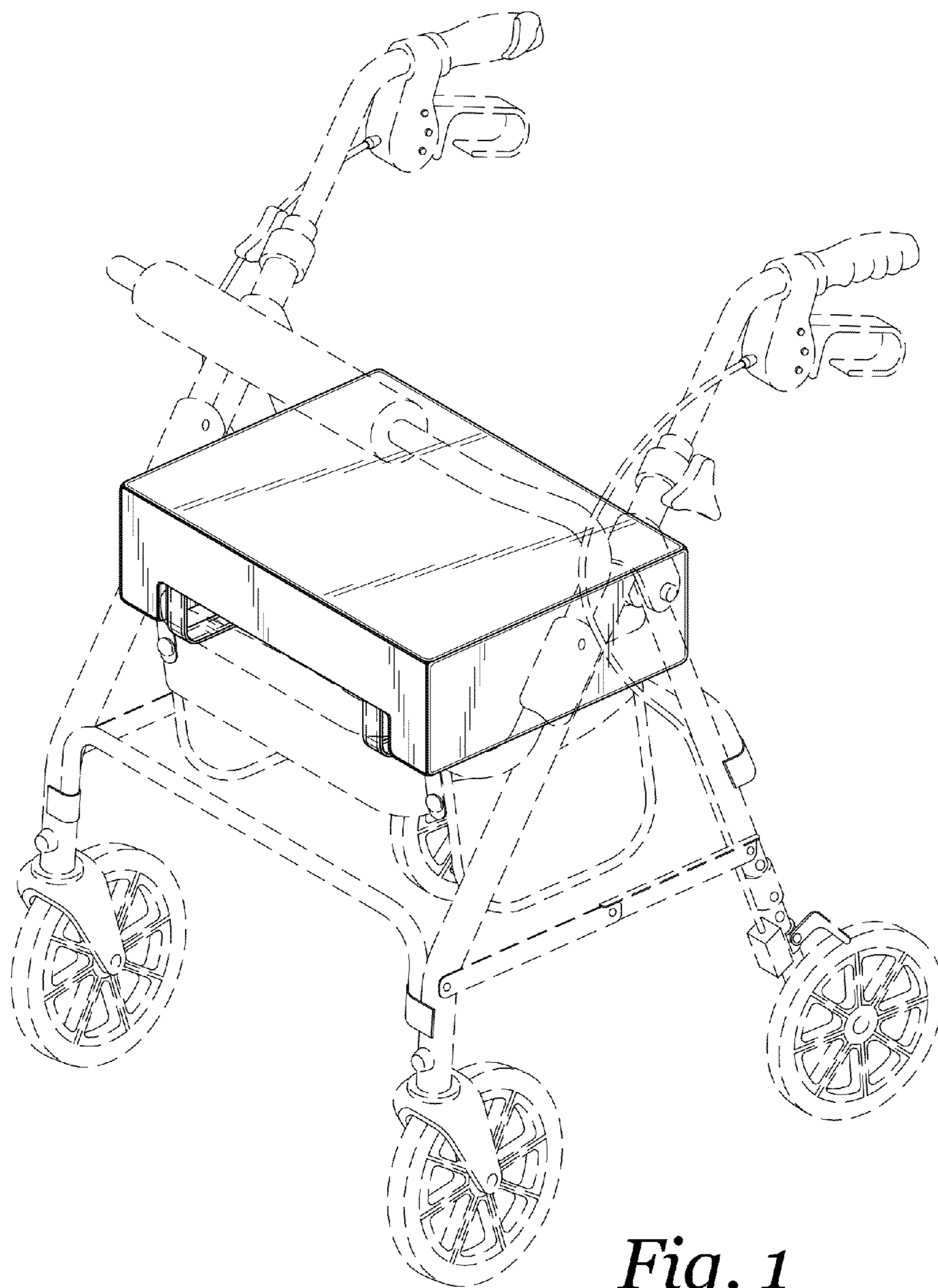


Fig. 1

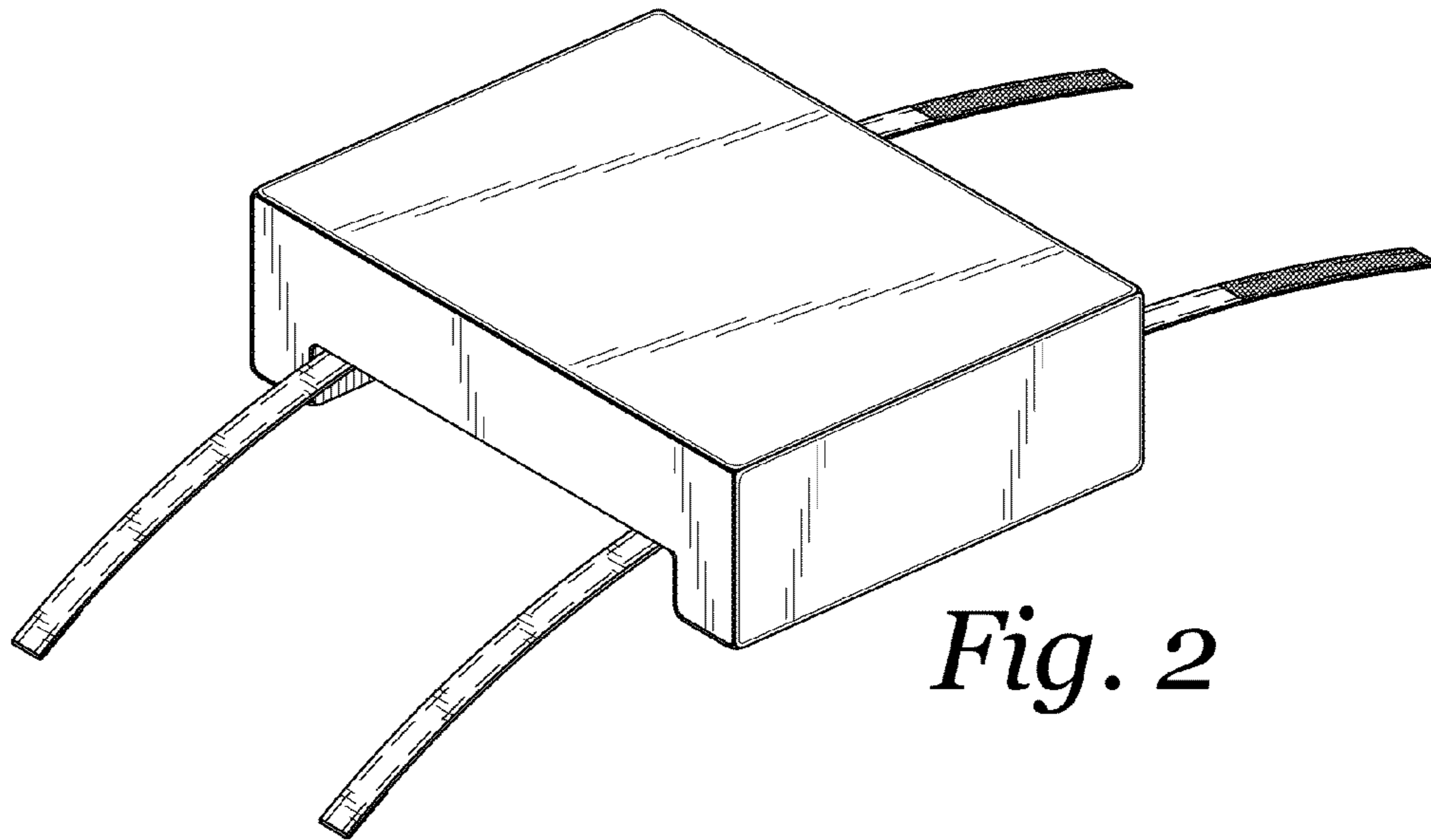


Fig. 2

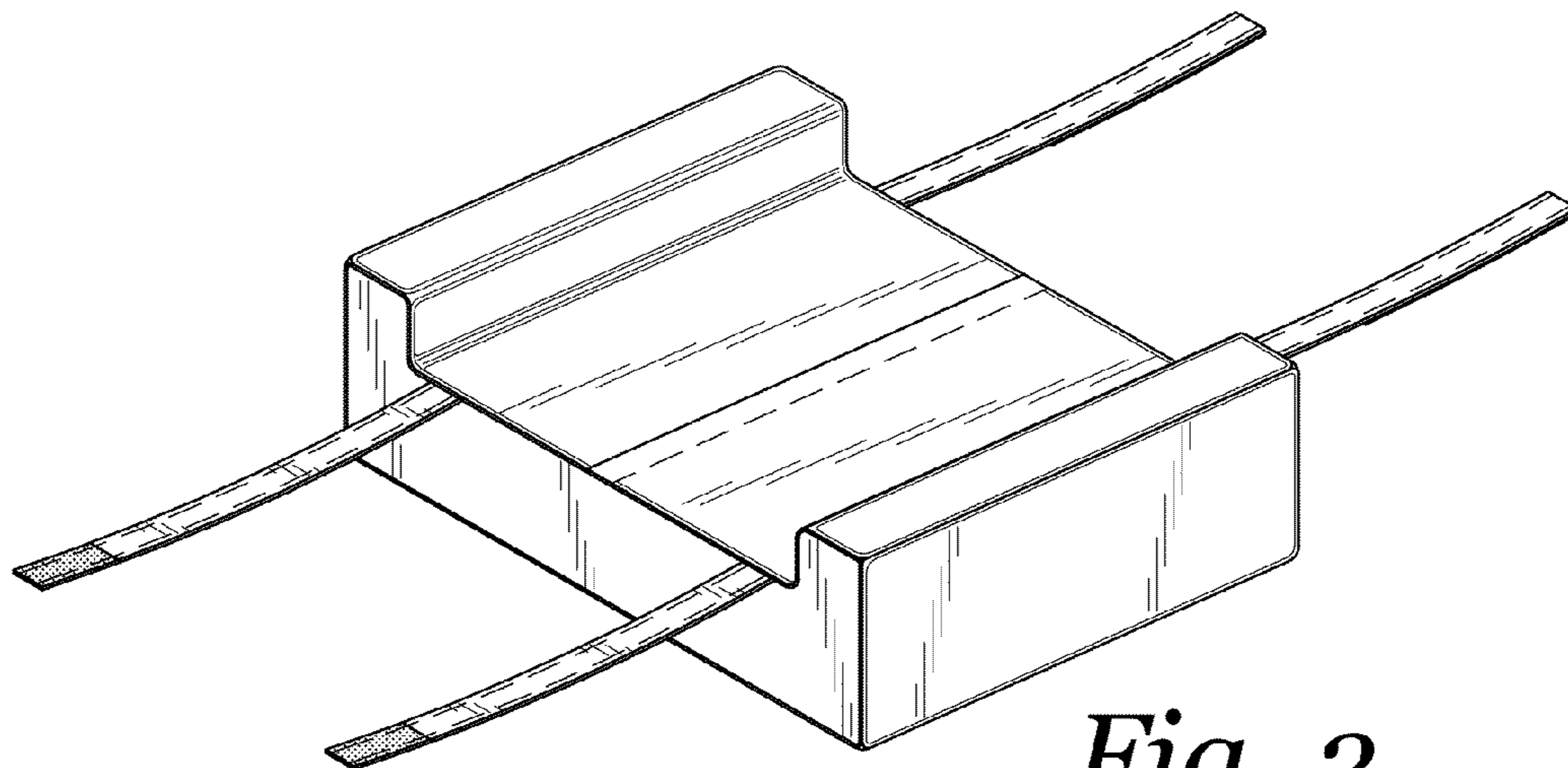


Fig. 3