



US00D697737S

(12) **United States Design Patent**
Friedman

(10) **Patent No.:** **US D697,737 S**

(45) **Date of Patent:** **** *Jan. 21, 2014**

(54) **HANDLE MODULE**

(76) Inventor: **Matthew J. Friedman**, Encinitas, CA
(US)

(*) Notice: This patent is subject to a terminal disclaimer.

(**) Term: **14 Years**

(21) Appl. No.: **29/385,687**

(22) Filed: **Feb. 17, 2011**

(51) **LOC (10) Cl.** **06-06**

(52) **U.S. Cl.**
USPC **D6/510; D8/315**

(58) **Field of Classification Search**
USPC D8/300–302, 305, 313–321, DIG. 1;
D6/396, 397, 432–448, 492, 494, 509,
D6/510, 511, 552, 559, 561, 633; 312/109,
312/199, 204, 330.1, 348.4; D3/307, 319,
D3/291, 318; D14/444; D32/25; D7/393;
D23/250, 254; 292/347, 336.3;
16/101.1, 412, 414–420, 443, 441,
16/110 R, 111 R, DIG. 19
See application file for complete search history.

(56) **References Cited**

U.S. PATENT DOCUMENTS

D248,923	S *	8/1978	Spellier	D8/313
5,592,785	A *	1/1997	Gavin	52/20
D399,406	S *	10/1998	Decursu et al.	D8/317
D403,230	S *	12/1998	Ziemer et al.	D8/317
5,934,716	A *	8/1999	Koveal et al.	292/175
D464,829	S *	10/2002	Henry et al.	D6/491
D511,083	S *	11/2005	Gurzenda et al.	D8/316
D513,694	S *	1/2006	Vitkauskas	D8/300
7,140,650	B2 *	11/2006	Berg	292/67
8,122,745	B2 *	2/2012	Ramsauer et al.	70/224

* cited by examiner

Primary Examiner — Zenia Bennett

(74) *Attorney, Agent, or Firm* — Charmasson Buchaca & Leach, LLP

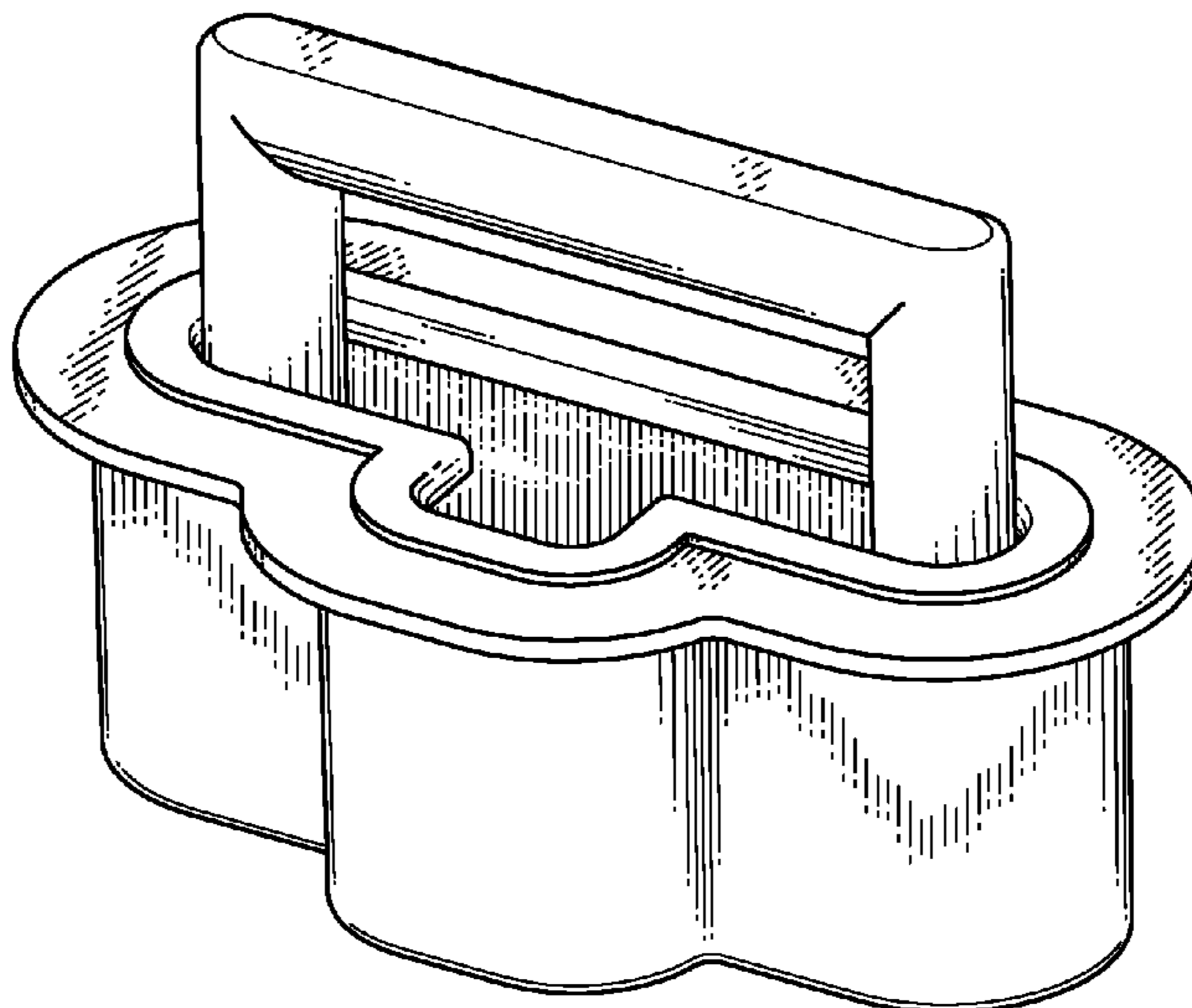
(57) **CLAIM**

The ornamental design for a handle module, as shown and described.

DESCRIPTION

FIG. 1 is a top, front, left side perspective view of a handle module showing my new design;
 FIG. 2 is a bottom, back, right side perspective view thereof;
 FIG. 3 is a front view thereof, the back view being a mirror image thereof;
 FIG. 4 is a top view thereof;
 FIG. 5 is a bottom view thereof; and,
 FIG. 6 is a left side view thereof, the right side being a mirror image thereof.
 FIG. 7 is a top, front, left side perspective view of a handle module showing a first alternate new design;
 FIG. 8 is a bottom, back, right side perspective view thereof;
 FIG. 9 is a front view thereof;
 FIG. 10 is a back view thereof;
 FIG. 11 is a top view thereof;
 FIG. 12 is a bottom view thereof; and,
 FIG. 13 is a left side view thereof, the right side being a mirror image thereof.
 FIG. 14 is a top, front, left side perspective view of a handle module showing a second alternate new design; the bottom, back, right side perspective view thereof being the same as FIG. 8;
 FIG. 15 is a front view thereof; and,
 FIG. 16 is a back view thereof; the top view thereof being the same as FIG. 11; the bottom view thereof being the same as FIG. 12; the left side view thereof being the same as FIG. 13; the right side being a mirror image of FIG. 13.

1 Claim, 10 Drawing Sheets



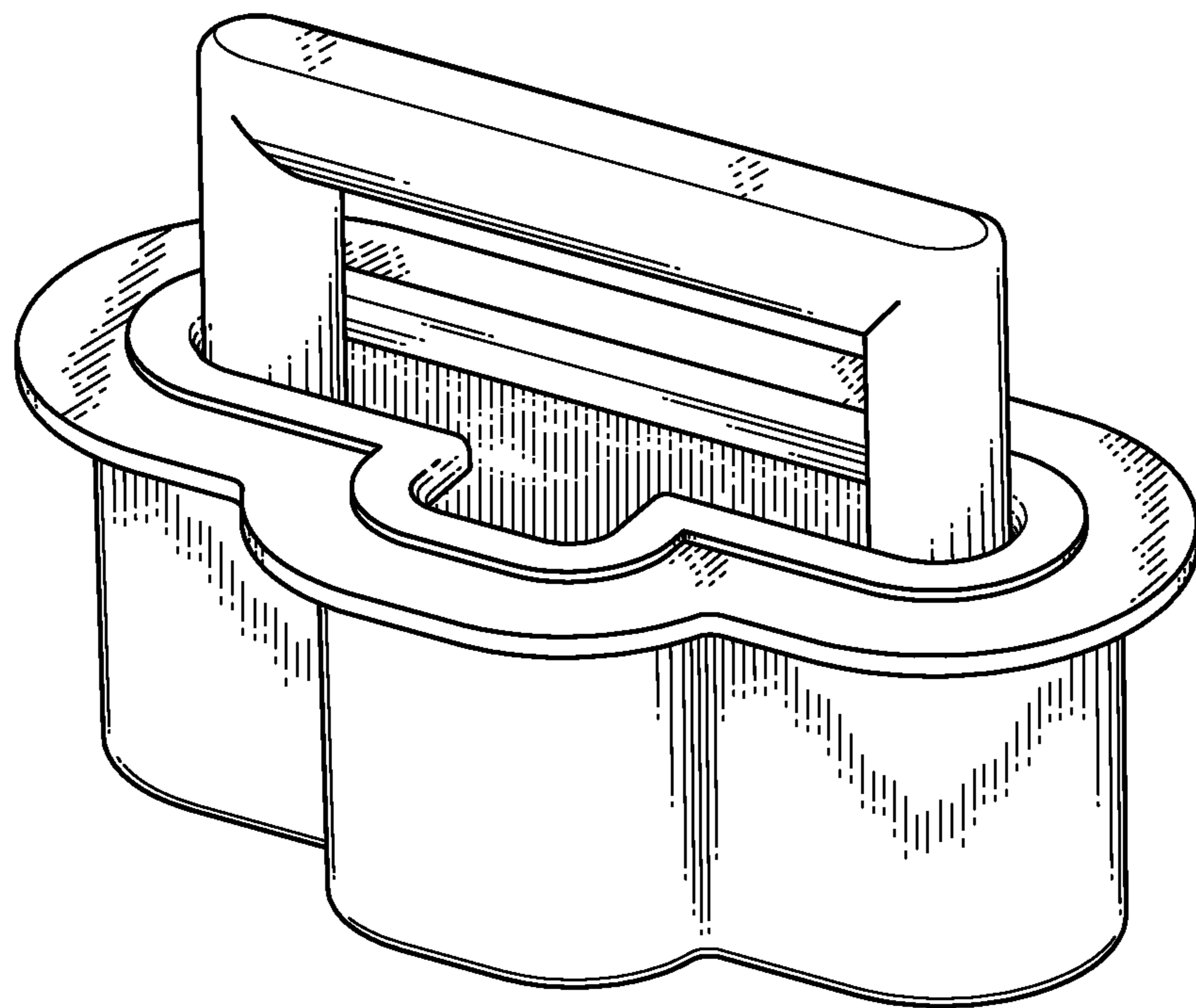


FIG. 1

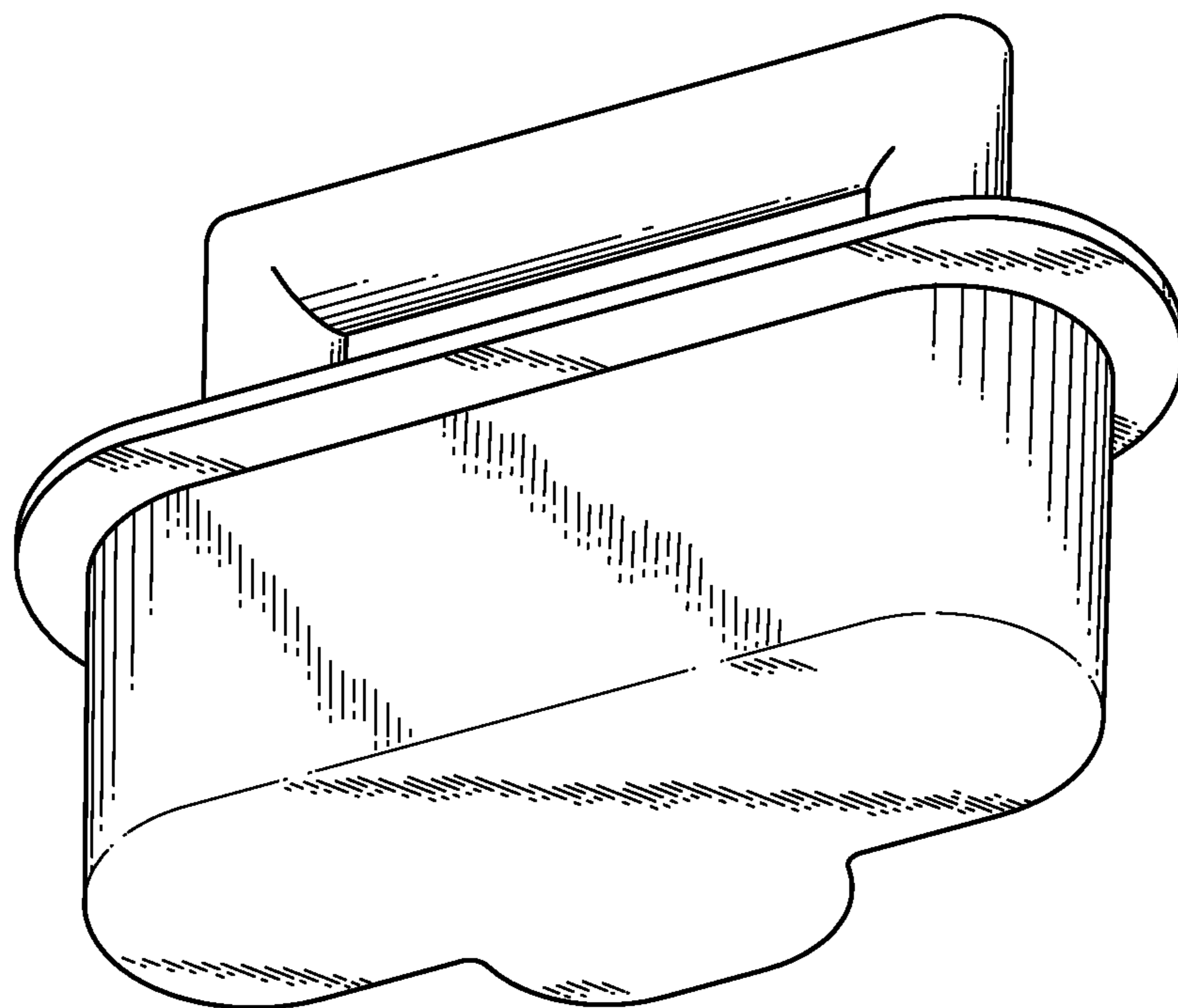


FIG. 2

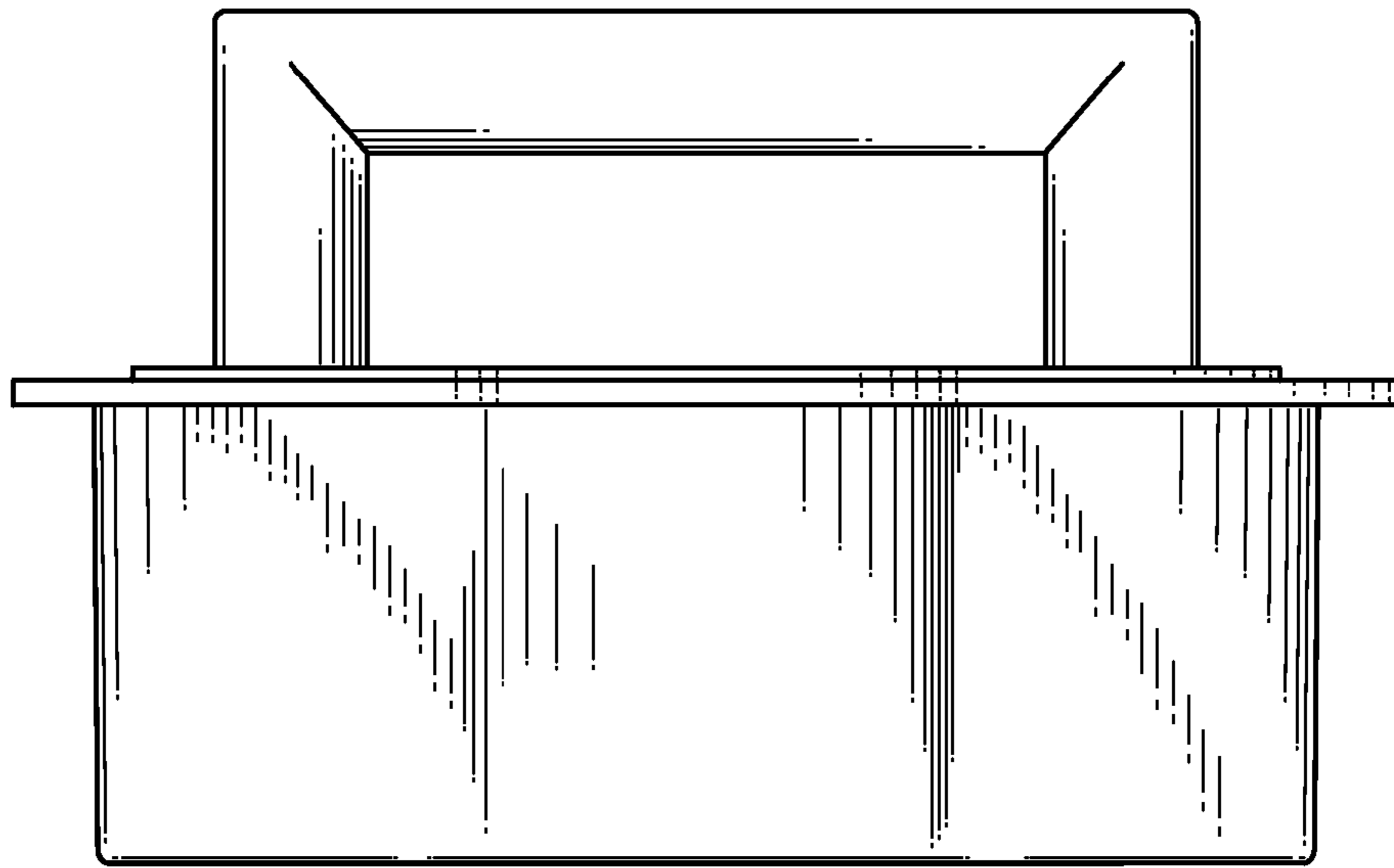


FIG. 3

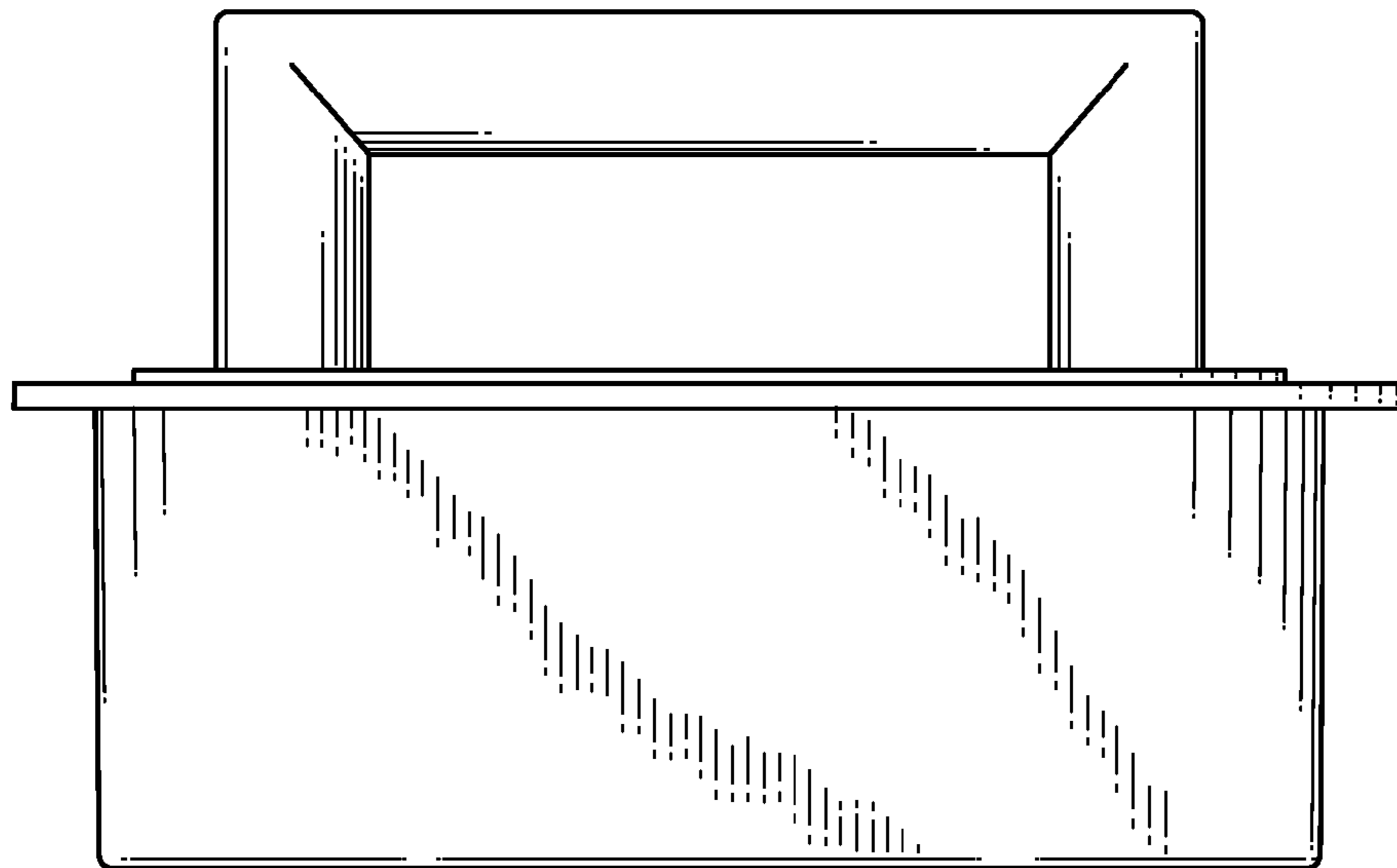


FIG. 4

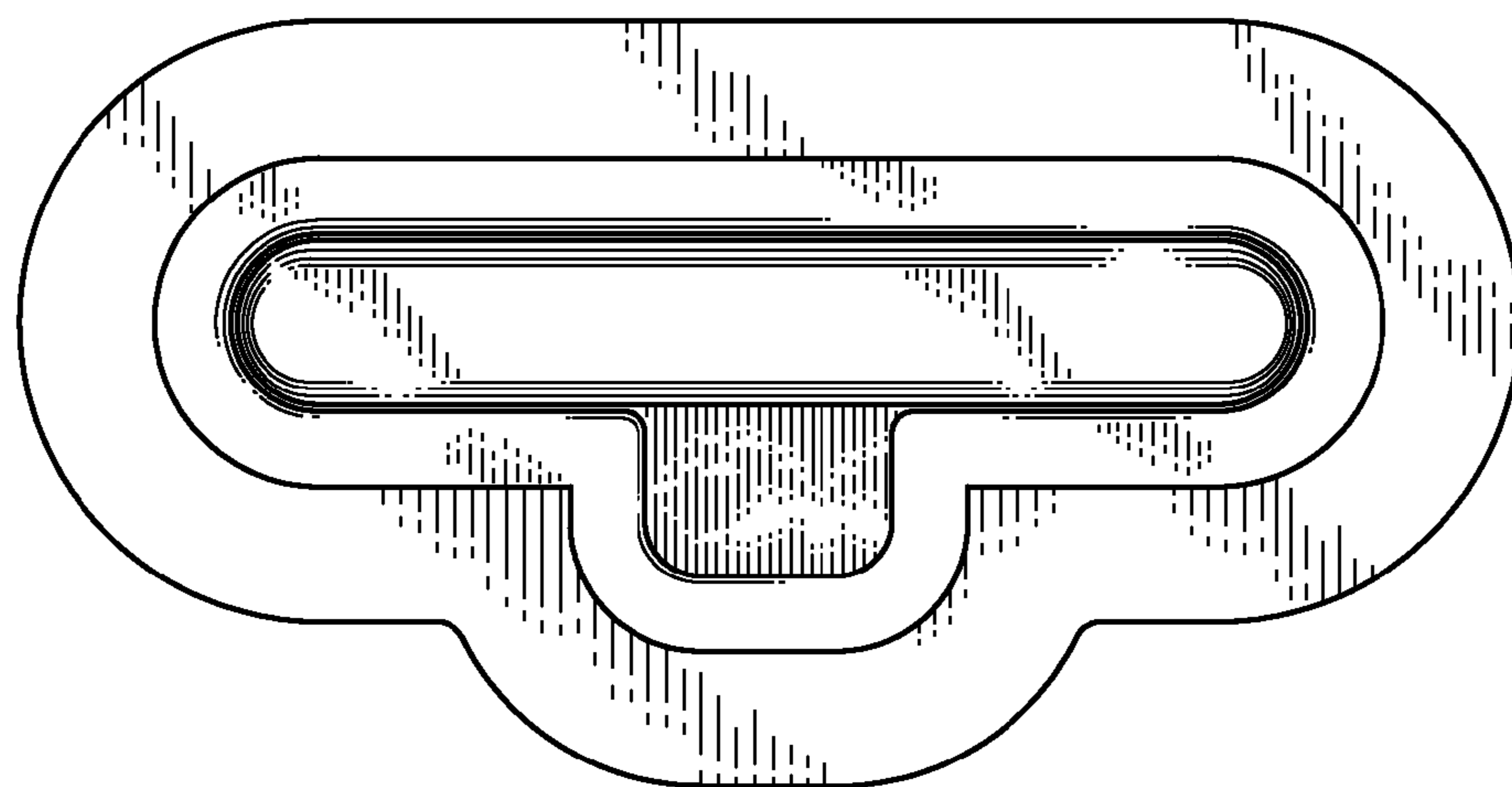


FIG. 5

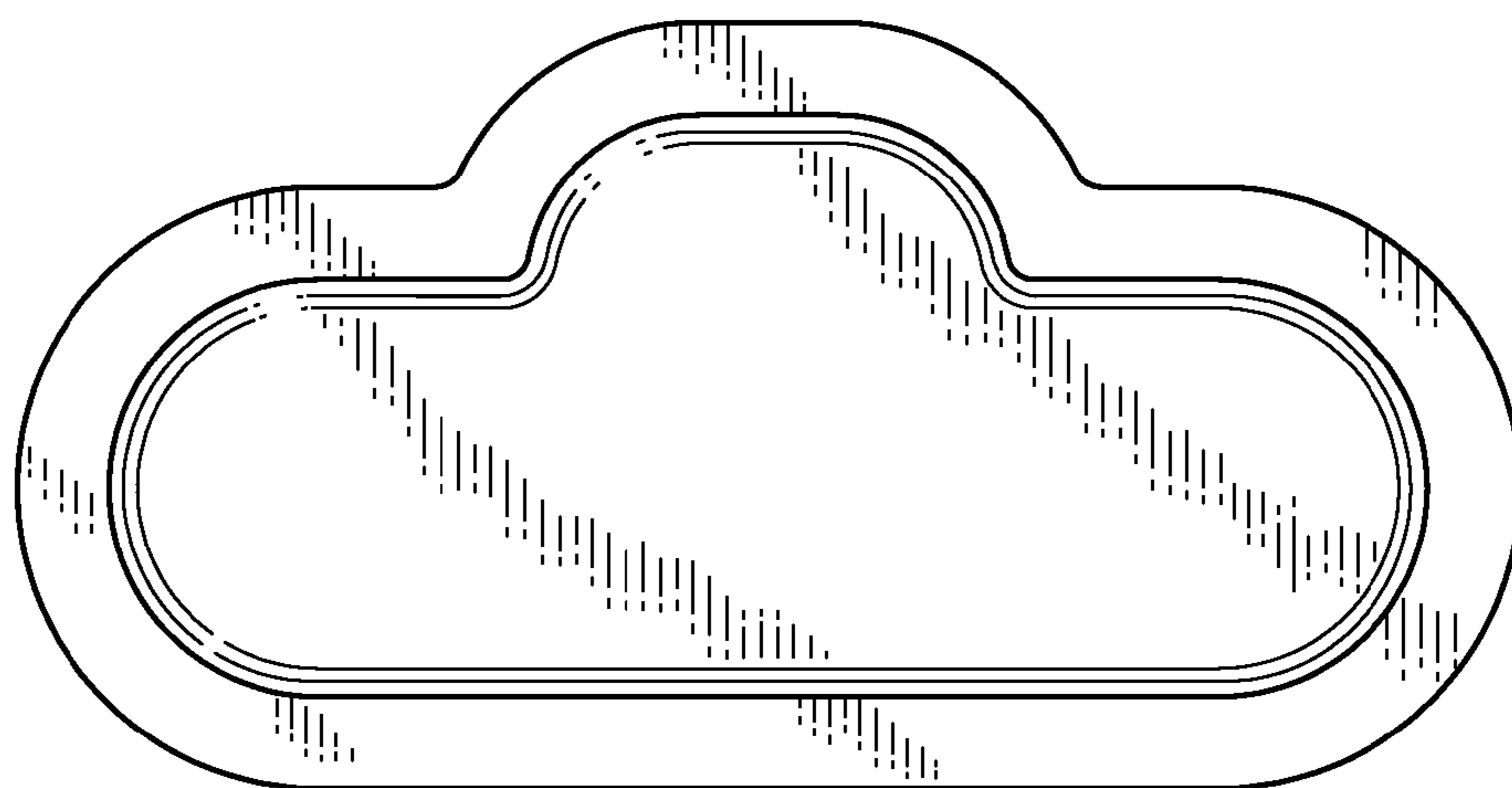


FIG. 6

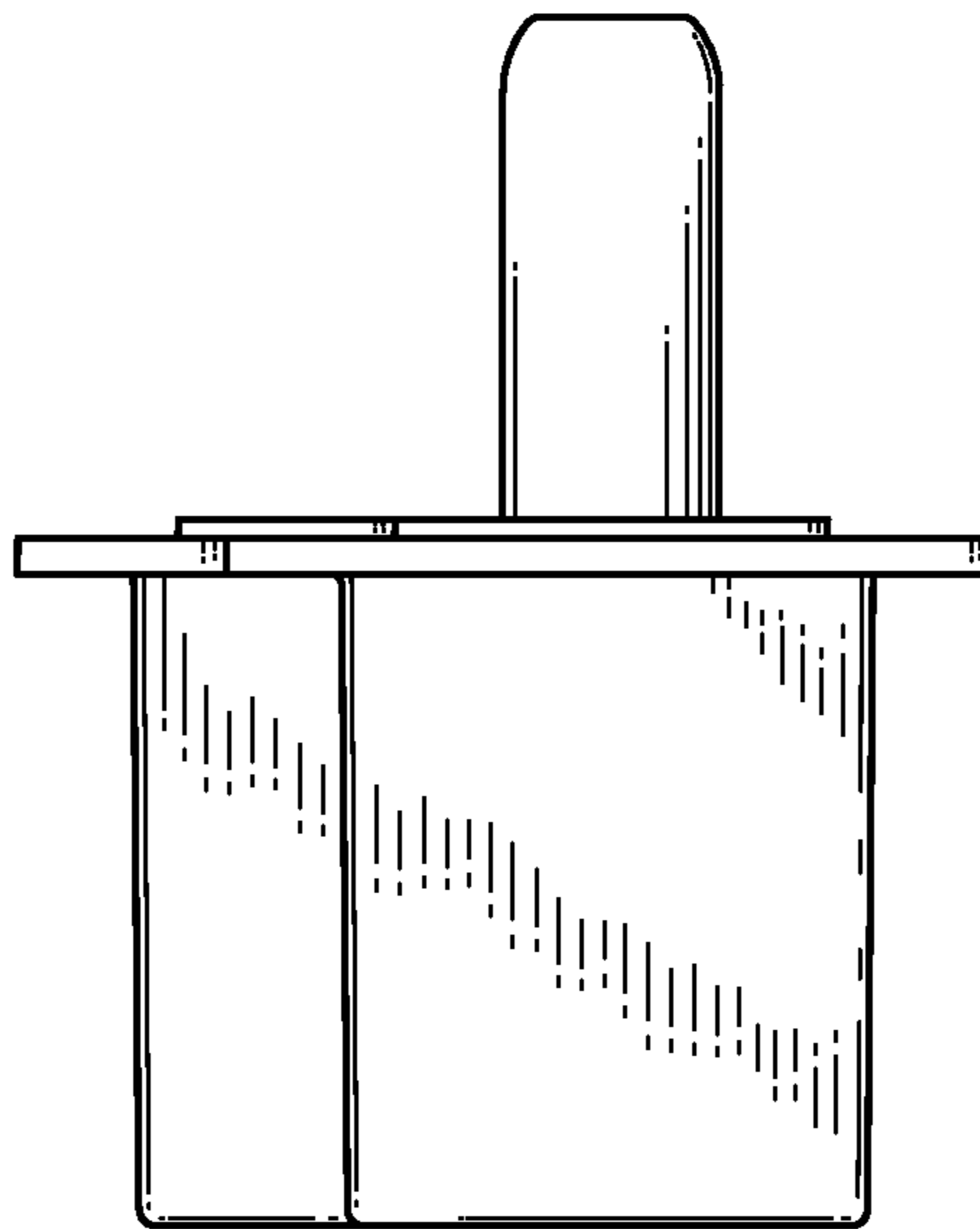


FIG. 7

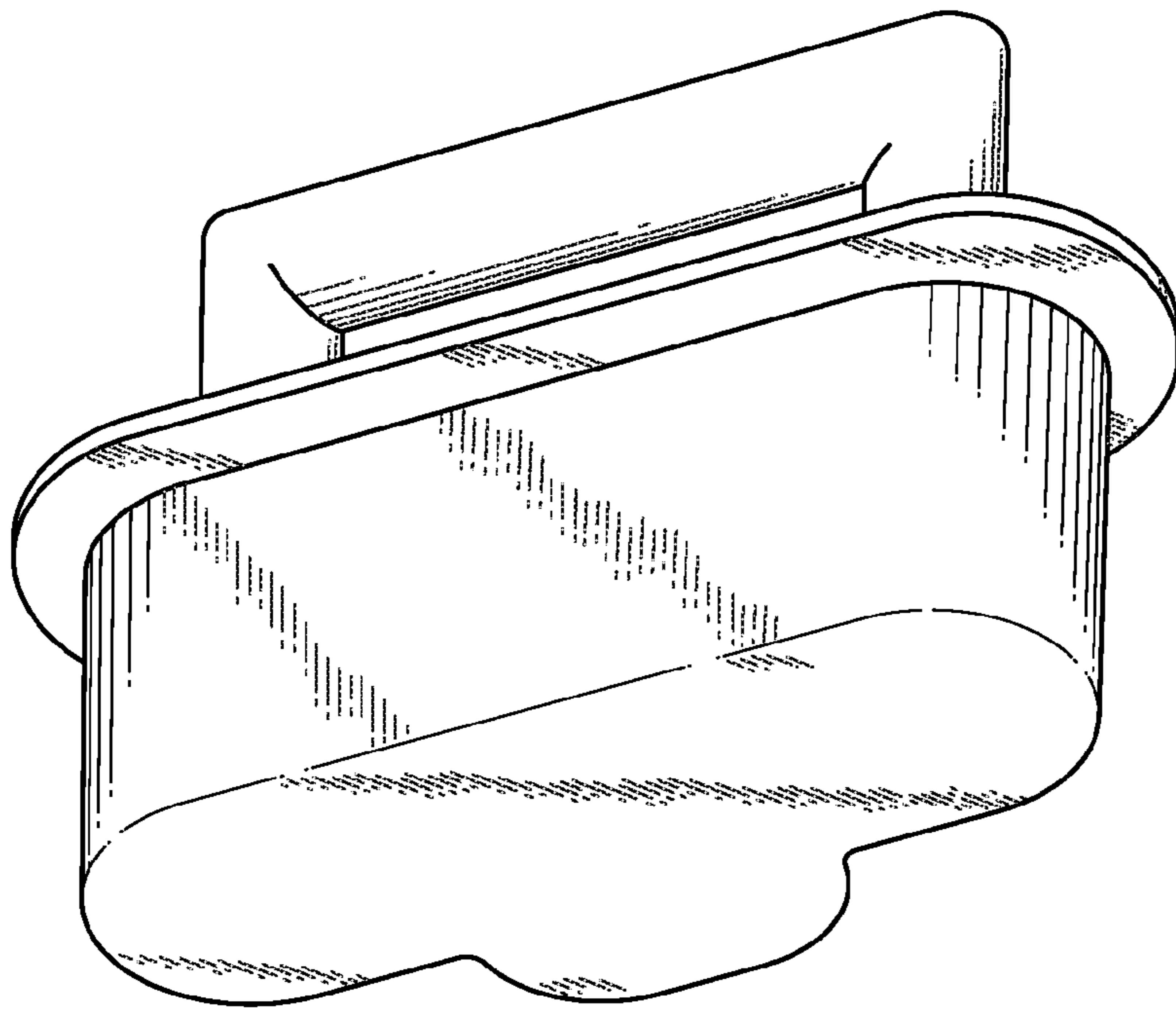


FIG. 8

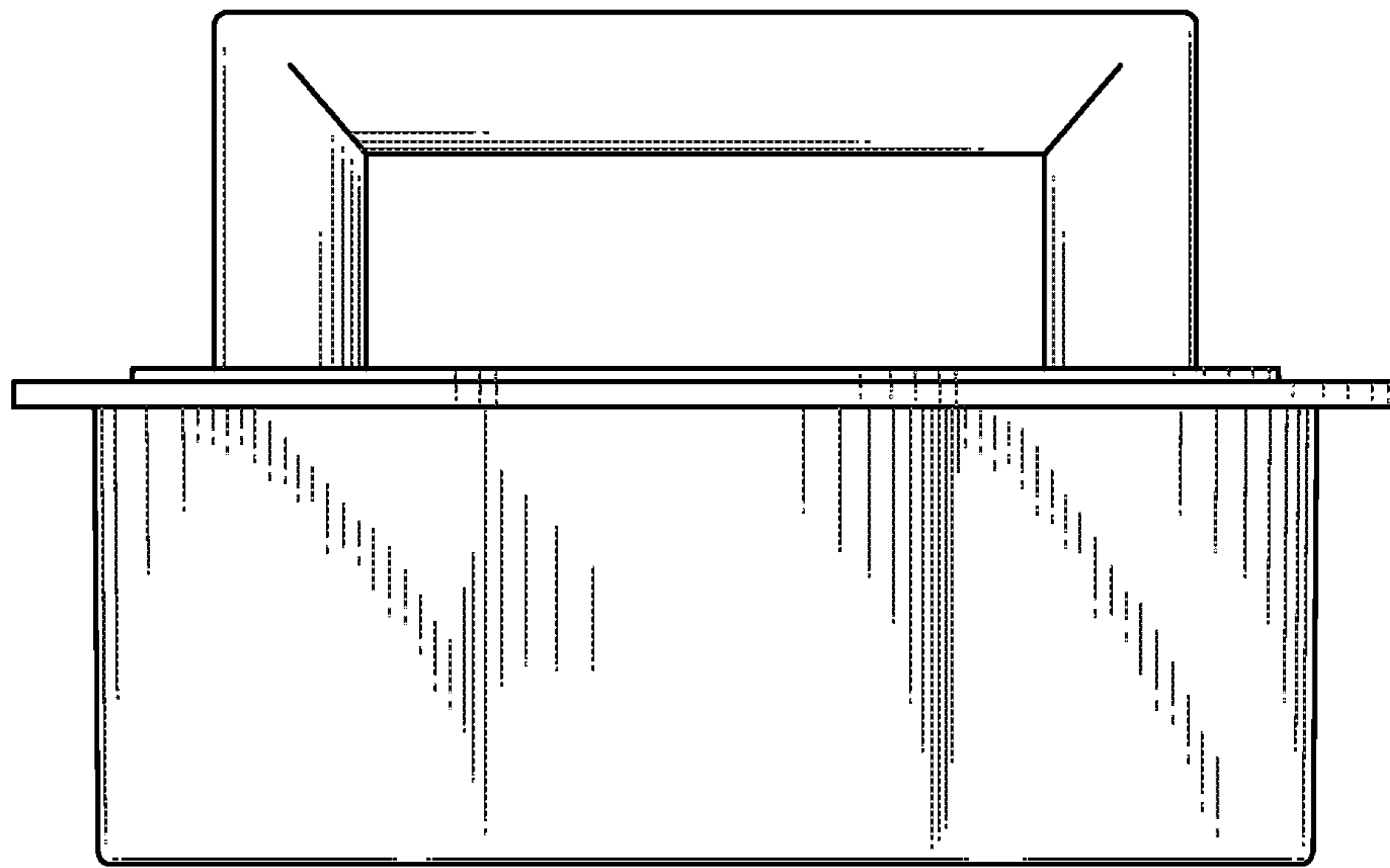


FIG. 9

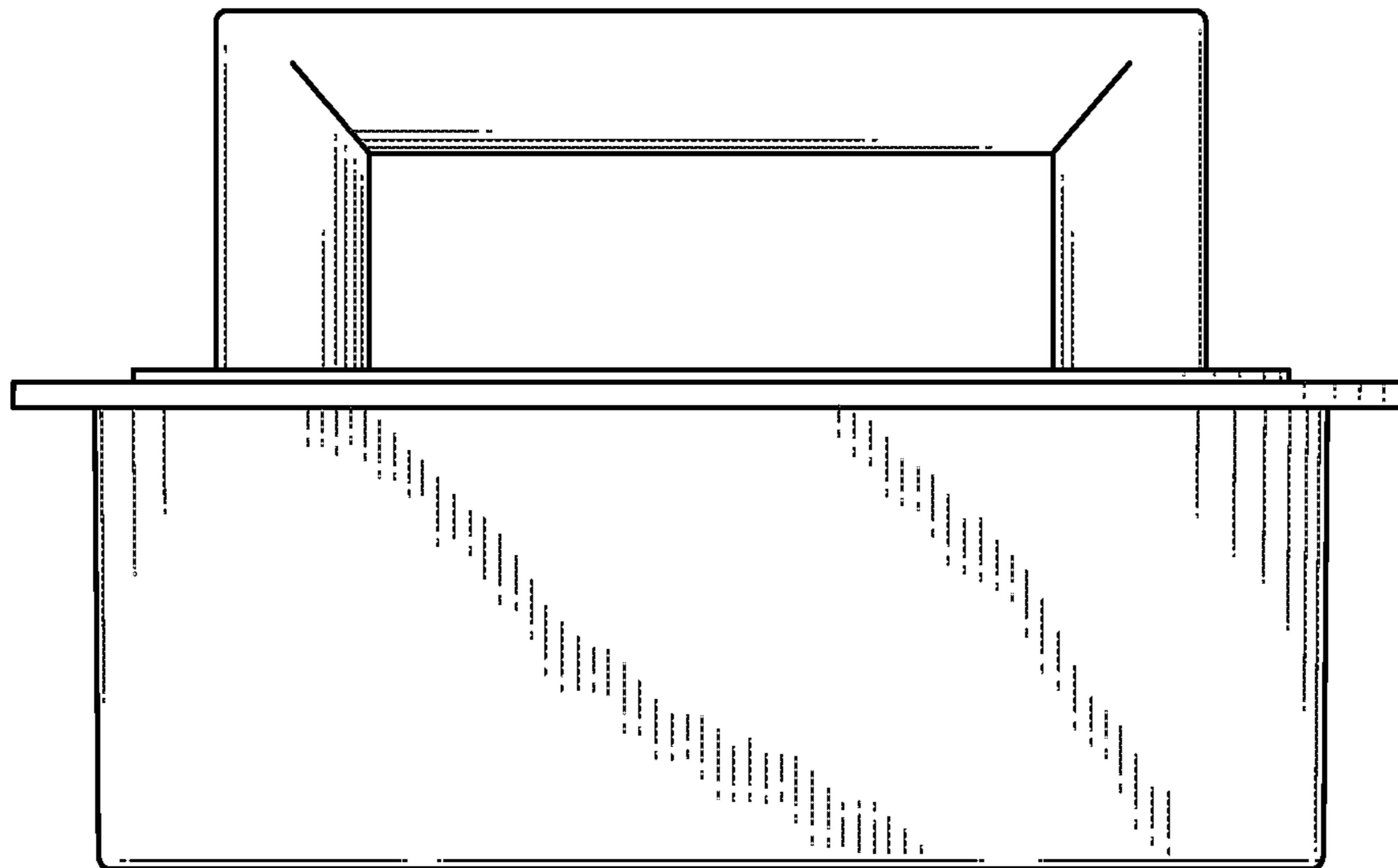


FIG. 10

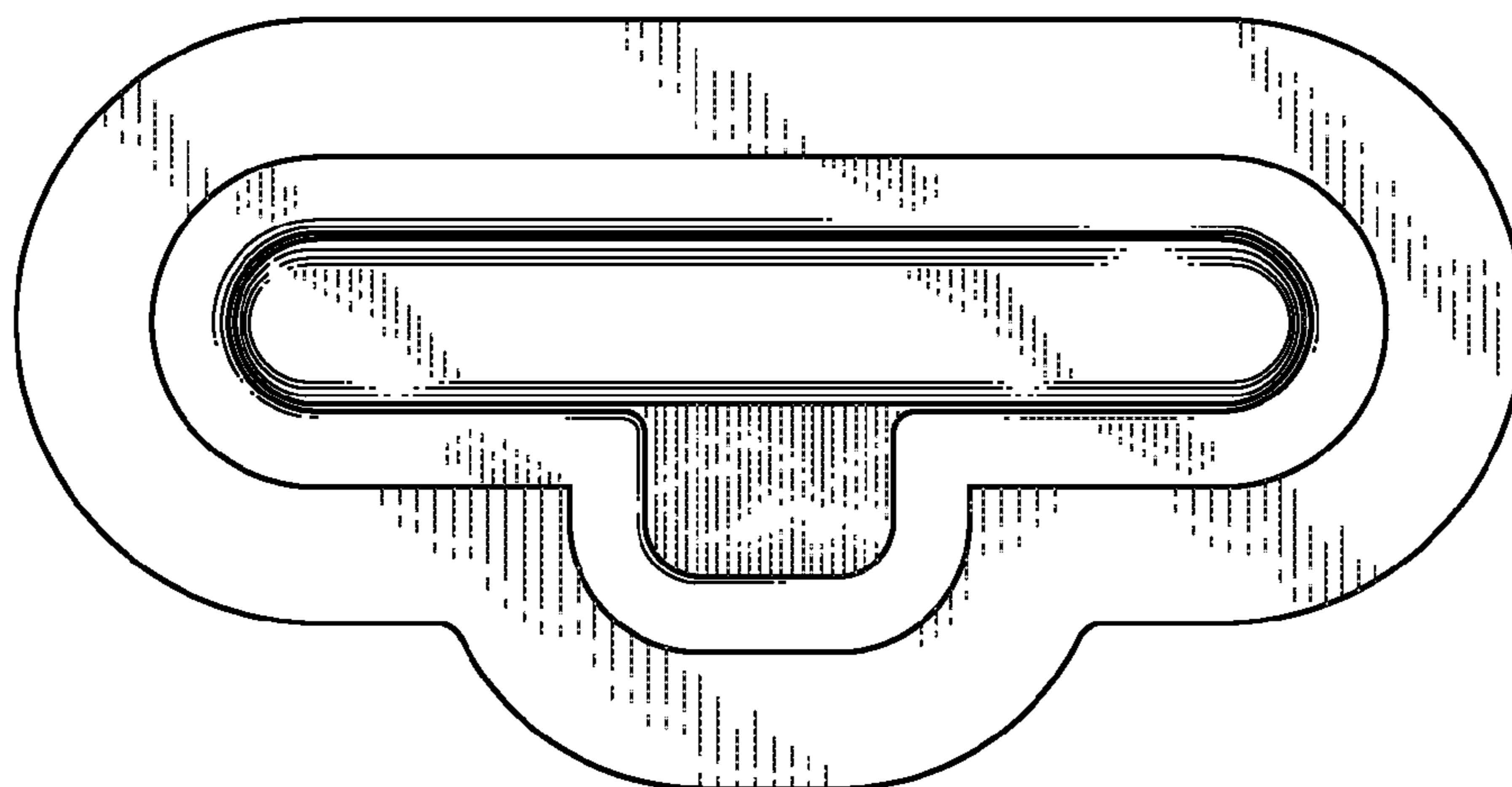


FIG. 11

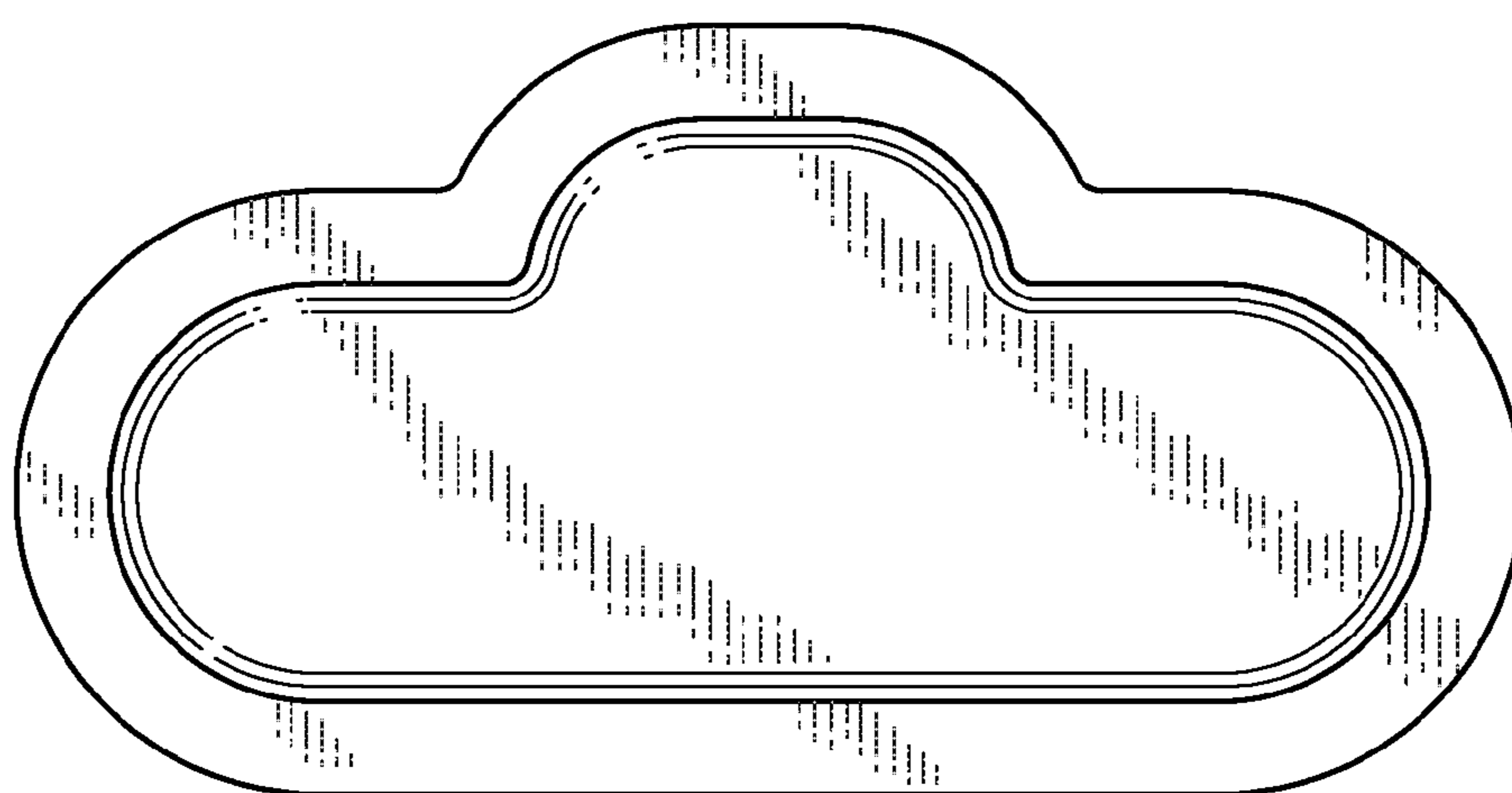


FIG. 12

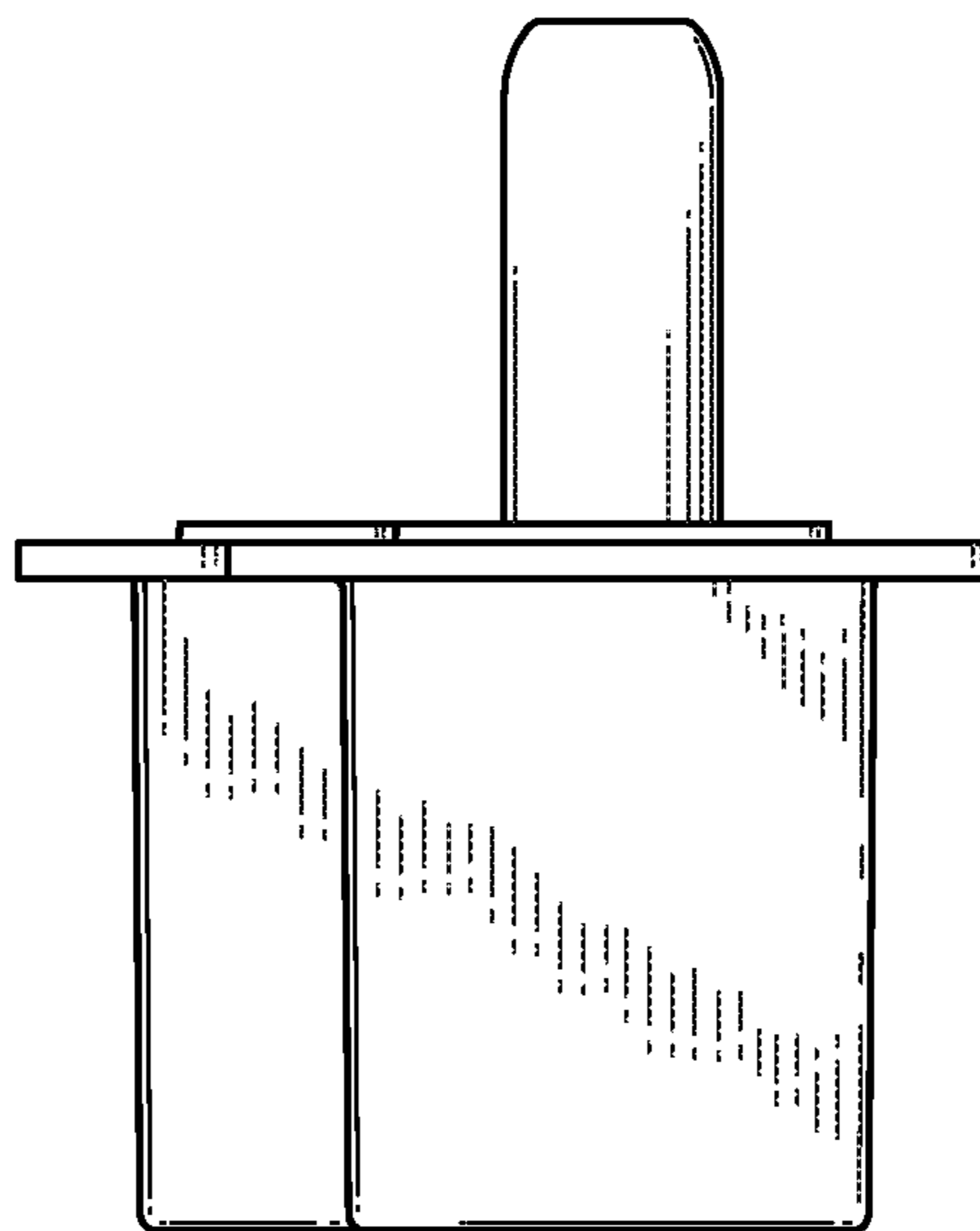


FIG. 13

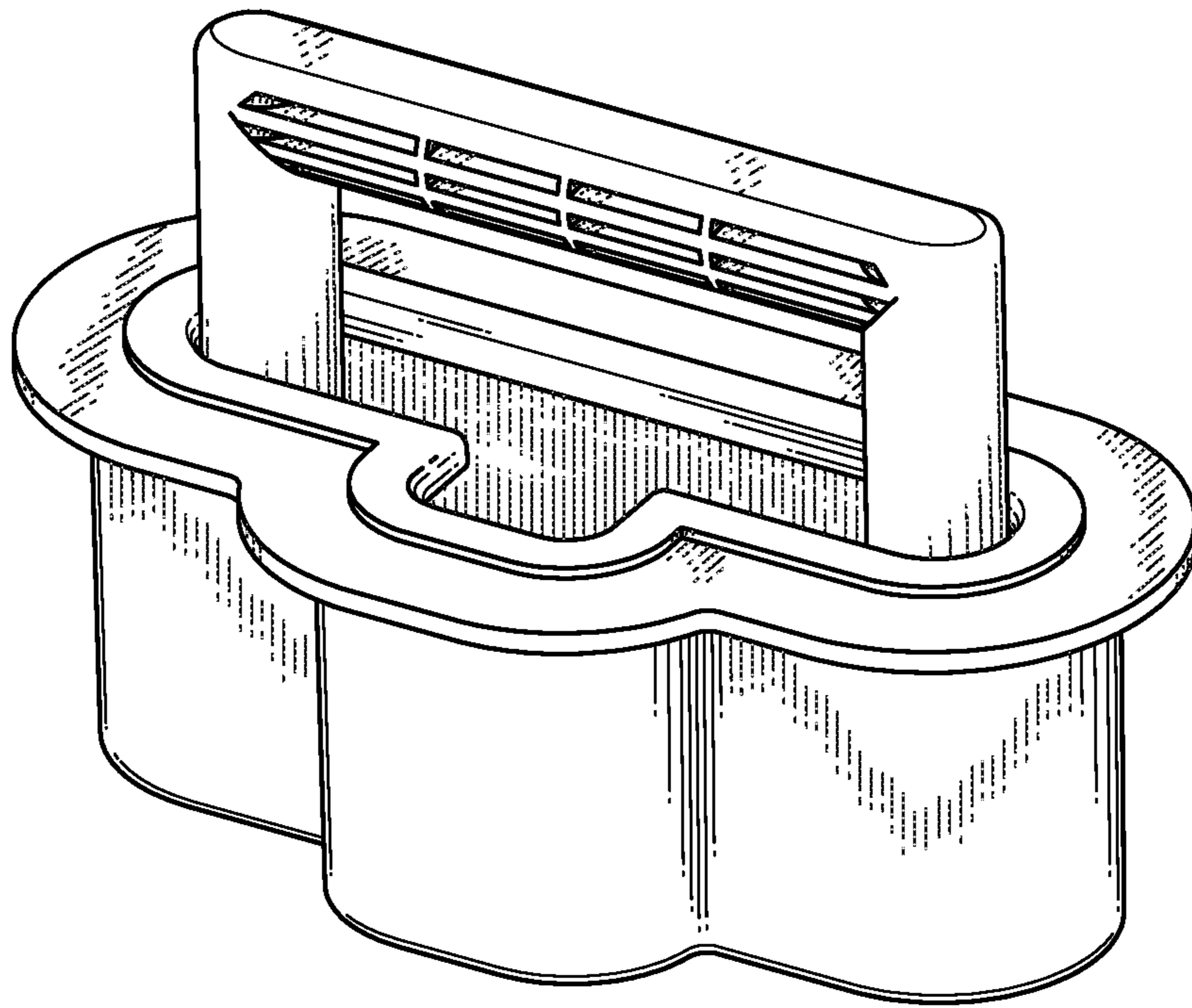


FIG. 14

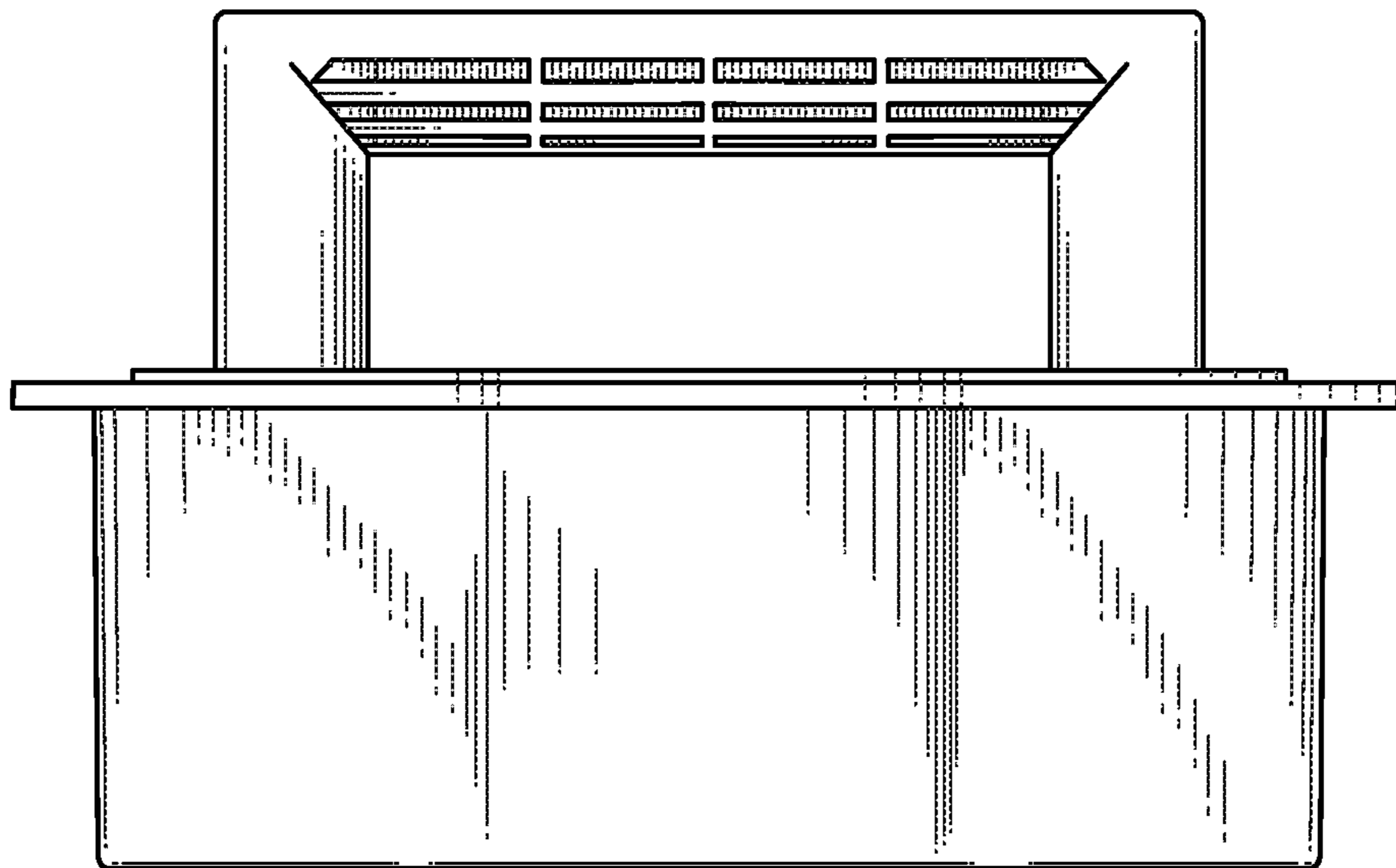


FIG. 15

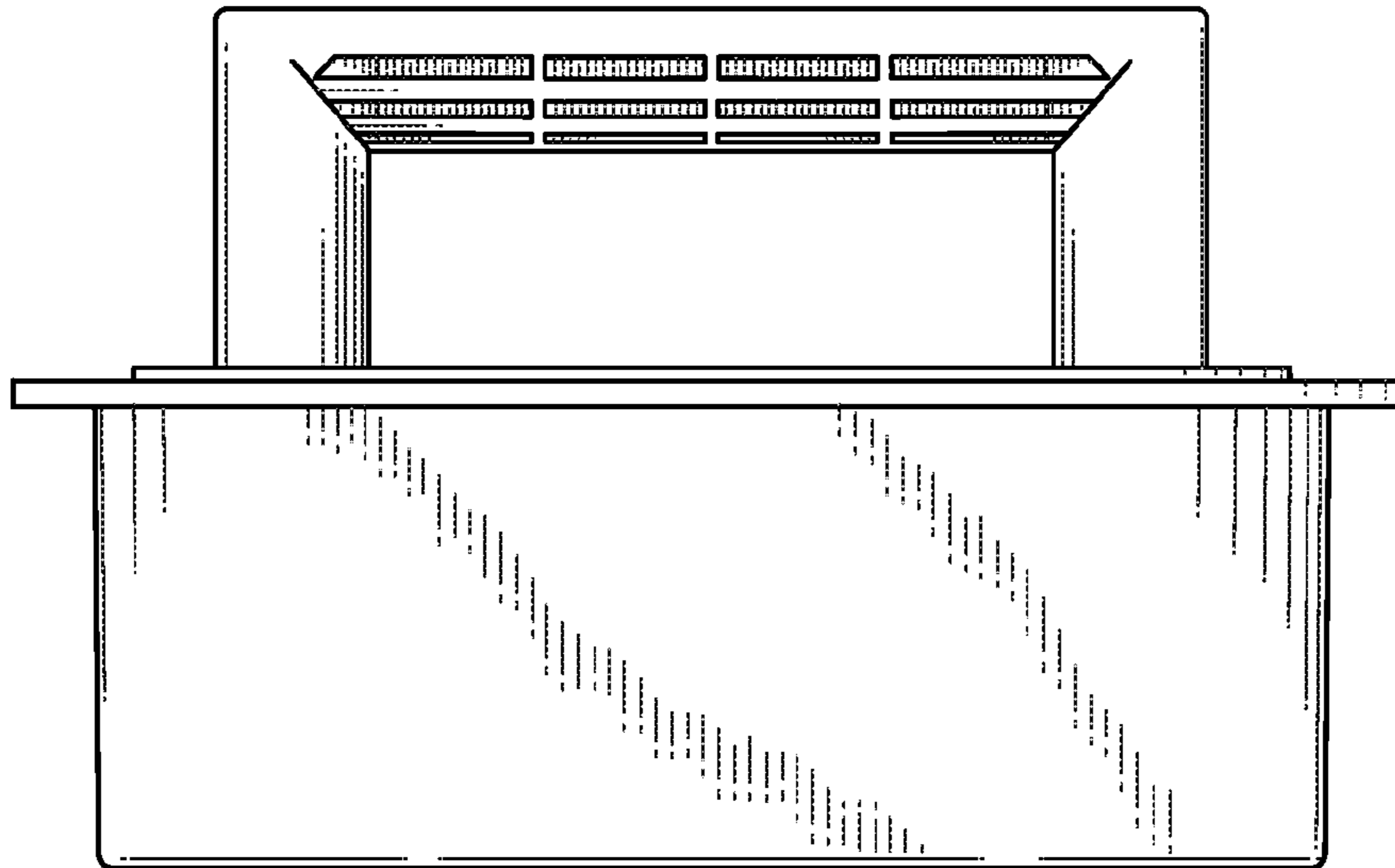


FIG. 16