

US00D697731S

(12) **United States Design Patent**  
**Parker et al.**

(10) **Patent No.:** **US D697,731 S**  
(45) **Date of Patent:** **\*\* Jan. 21, 2014**

(54) **CHAIR**

(71) Applicants: **Kent Wallace Parker**, Lower Hutt (NZ);  
**Mark Rundle Pennington**, Wellington  
(NZ); **Paul James Stevenson**,  
Wellington (NZ)

(72) Inventors: **Kent Wallace Parker**, Lower Hutt (NZ);  
**Mark Rundle Pennington**, Wellington  
(NZ); **Paul James Stevenson**,  
Wellington (NZ)

(73) Assignee: **Formway Furniture Limited**,  
Wellington (NZ)

(\*\*) Term: **14 Years**

(21) Appl. No.: **29/433,784**

(22) Filed: **Oct. 4, 2012**

(51) **LOC (10) Cl.** ..... **06-01**

(52) **U.S. Cl.**  
USPC ..... **D6/366**

(58) **Field of Classification Search**  
USPC ..... D6/334-336, 364, 365, 366, 367, 369,  
D6/374, 379, 380, 716, 716.1, 716.2,  
D6/716.3, 716.4, 716.5; 297/284.4, 391,  
297/396, 397, 411.41, 411.44, 452.21,  
297/452.29, 452.3, 452.32, 452.35, 452.48  
See application file for complete search history.

(56) **References Cited**

U.S. PATENT DOCUMENTS

D195,401 S *	6/1963	Johnson	.....	D6/366
D196,234 S *	9/1963	Johnson	.....	D6/366
D196,429 S *	10/1963	Johnson	.....	D6/366
6,827,401 B2	12/2004	Marshall et al.		
D546,085 S *	7/2007	Ritch et al.	.....	D6/366
7,325,873 B2	2/2008	Stewart et al.		
D568,617 S *	5/2008	Jehs et al.	.....	D6/366
7,396,080 B2	7/2008	Suhr et al.		
D584,521 S *	1/2009	Massaud	.....	D6/366
D584,901 S *	1/2009	Massaud	.....	D6/366
D609,037 S *	2/2010	Miller et al.	.....	D6/716

7,726,730 B2	6/2010	Peter et al.		
D654,713 S *	2/2012	Lloyd et al.	.....	D6/366
D683,551 S *	6/2013	Wu	.....	D6/366
D683,979 S *	6/2013	Miller et al.	.....	D6/366
2011/0089730 A1	4/2011	Higgs		

FOREIGN PATENT DOCUMENTS

EP 1 880 639 1/2008

OTHER PUBLICATIONS

Auckland chair—Cassina, [http://www.cassina.com/portal/page/portal/new/webpages/cassina/catalogue/product?p\\_code=CS\\_277%3bis\\_finder\\_result:0&lang=en](http://www.cassina.com/portal/page/portal/new/webpages/cassina/catalogue/product?p_code=CS_277%3bis_finder_result:0&lang=en), published at least as early as Oct. 3, 2012.

\* cited by examiner

*Primary Examiner* — Mimosa De

(74) *Attorney, Agent, or Firm* — Workman Nydegger

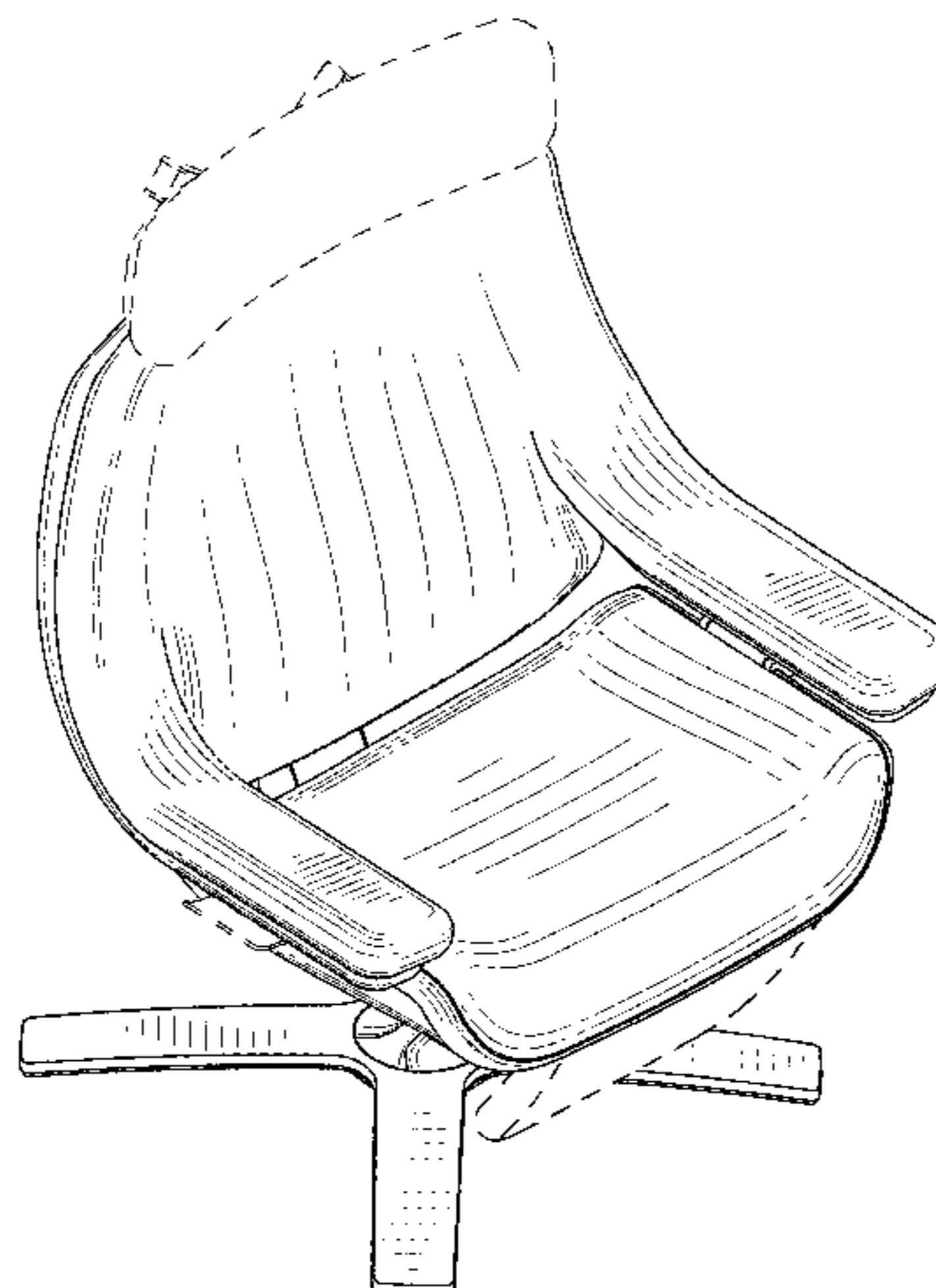
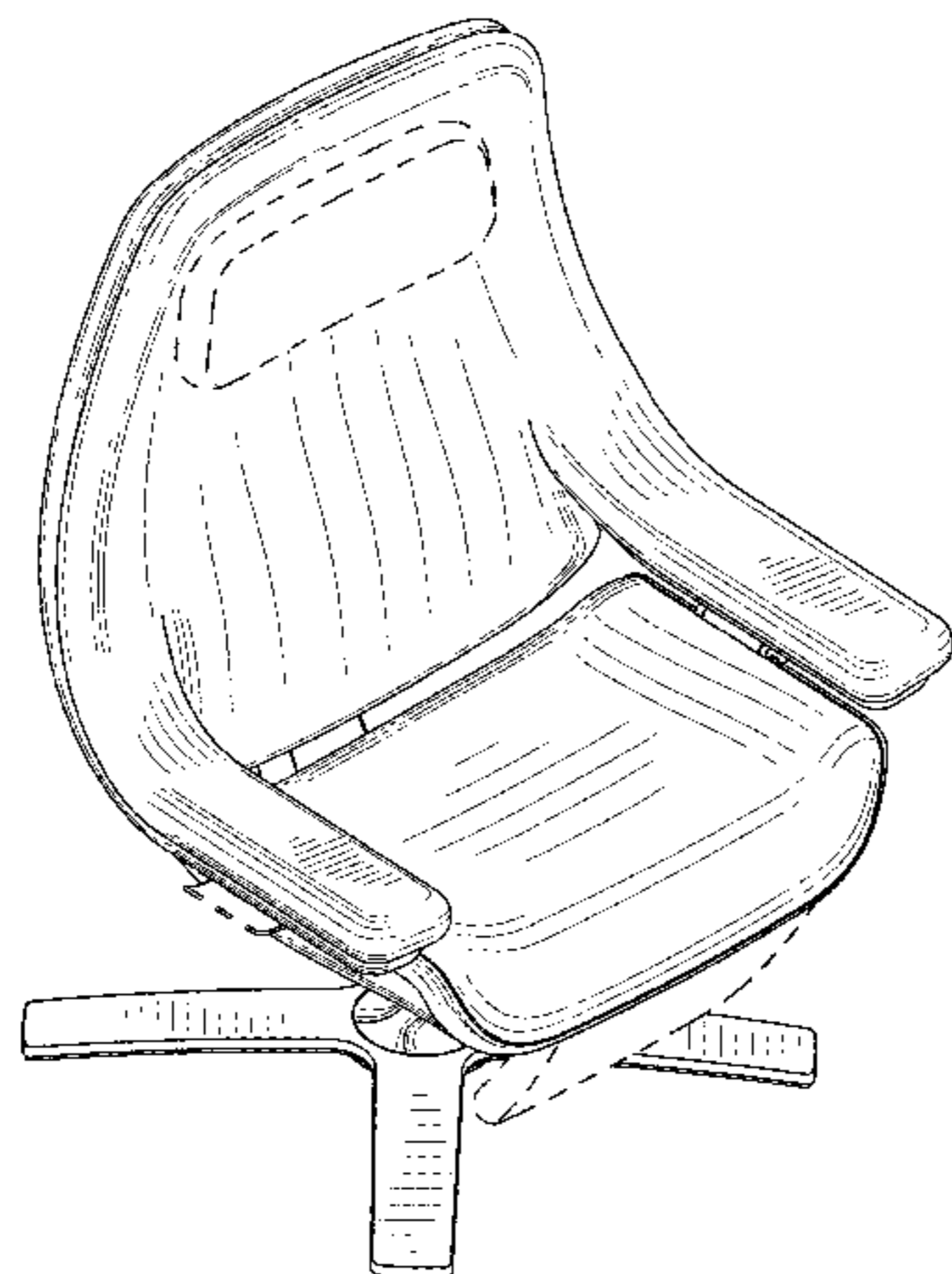
(57) **CLAIM**

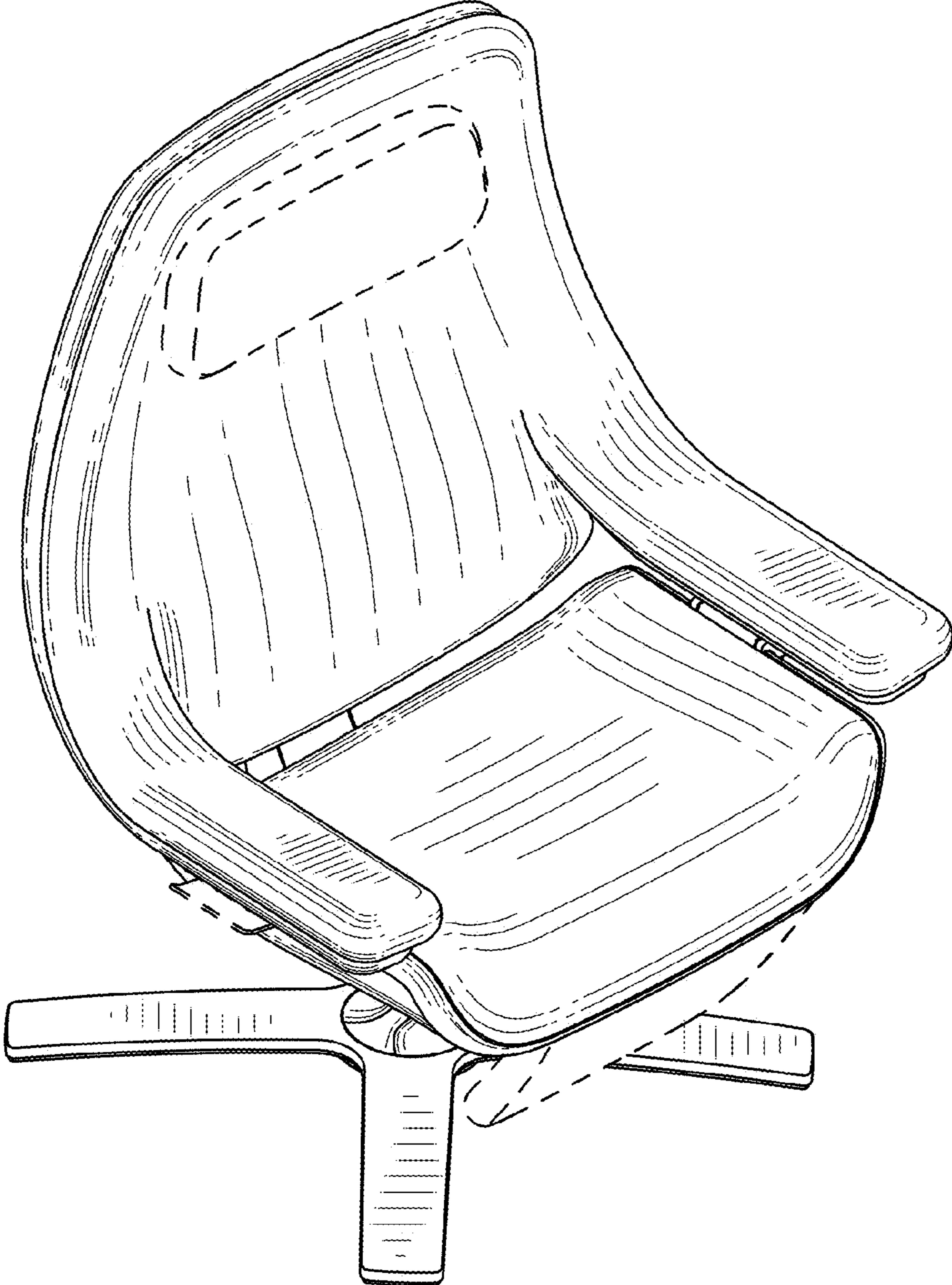
The ornamental design for a chair, as shown and described.

**DESCRIPTION**

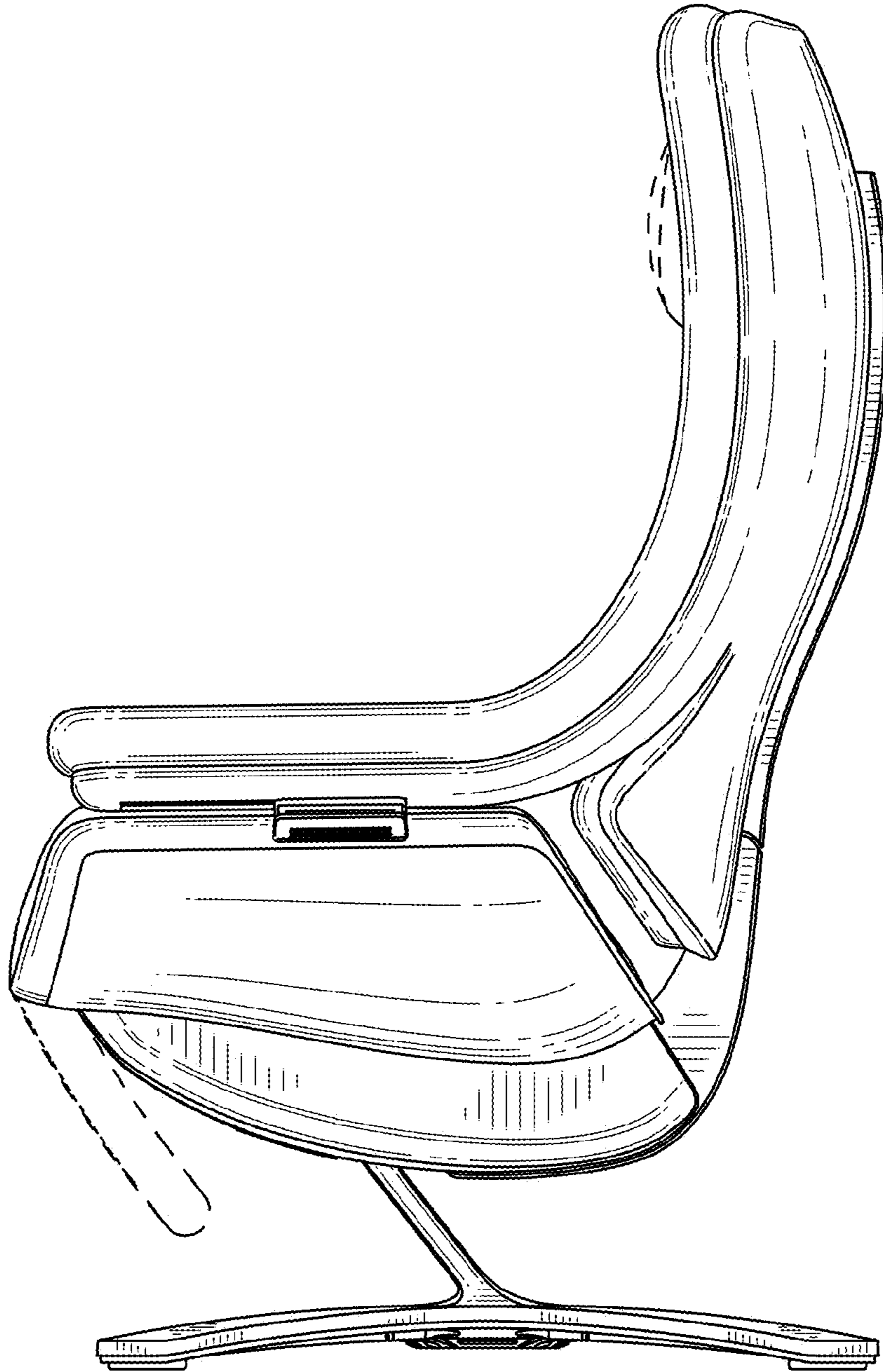
FIG. 1 is a perspective view of a chair showing our new design;  
FIG. 2 is a left side elevational view thereof;  
FIG. 3 is a right side elevational view thereof;  
FIG. 4 is a front elevational view thereof;  
FIG. 5 is a rear elevational view thereof;  
FIG. 6 is a top plan view thereof;  
FIG. 7 is a front overhead perspective view of a second embodiment of the chair;  
FIG. 8 is a left side elevational view thereof;  
FIG. 9 is a right side elevational view thereof;  
FIG. 10 is a front elevational view thereof;  
FIG. 11 is a rear elevational view thereof; and,  
FIG. 12 is a top plan view thereof.  
The broken lines showing the head rest, foot rest, and one of the actuators are for the purpose of illustration and form no part of the claimed design.

**1 Claim, 12 Drawing Sheets**

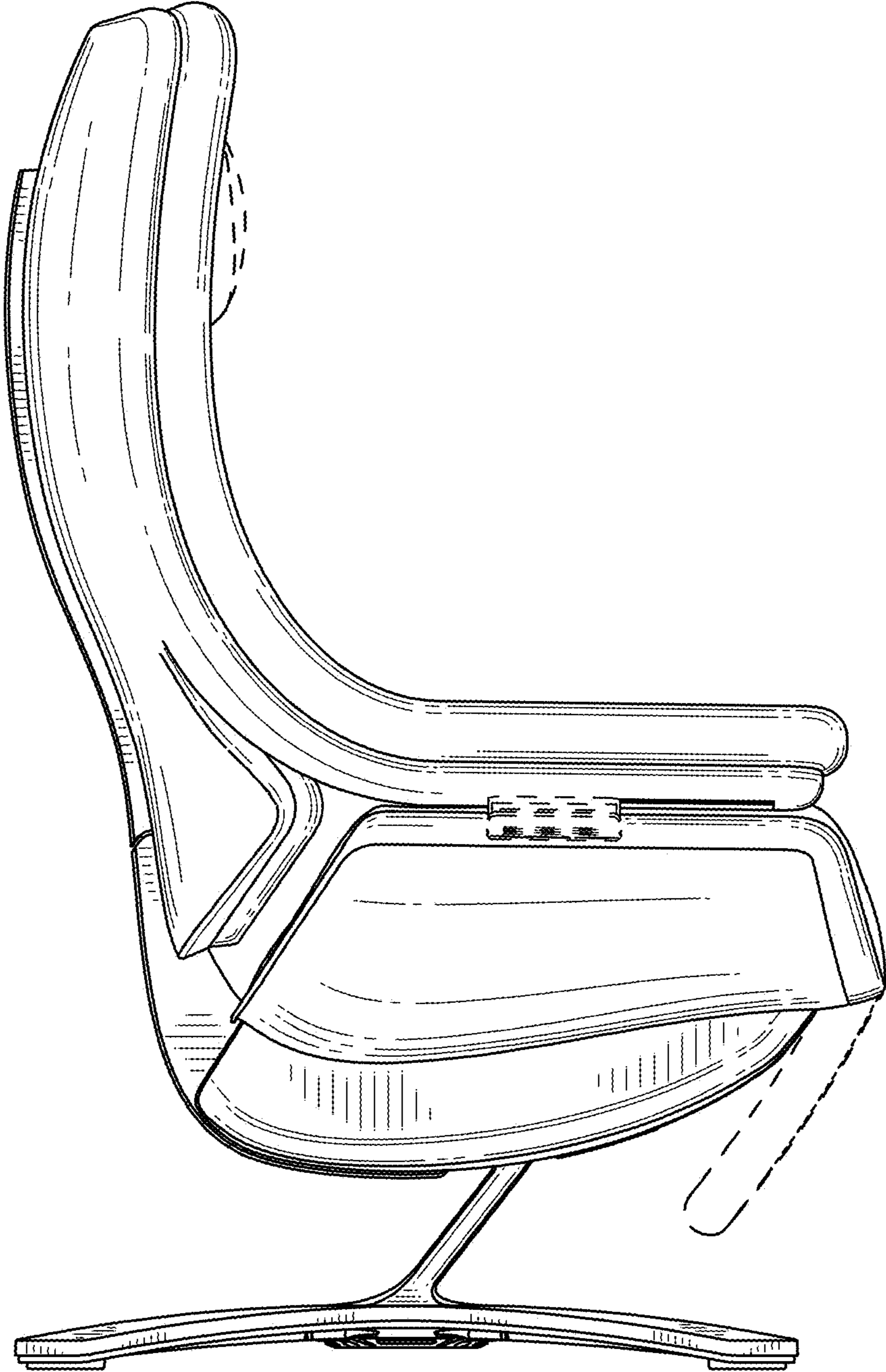




**FIGURE 1**



**FIGURE 2**



**FIGURE 3**

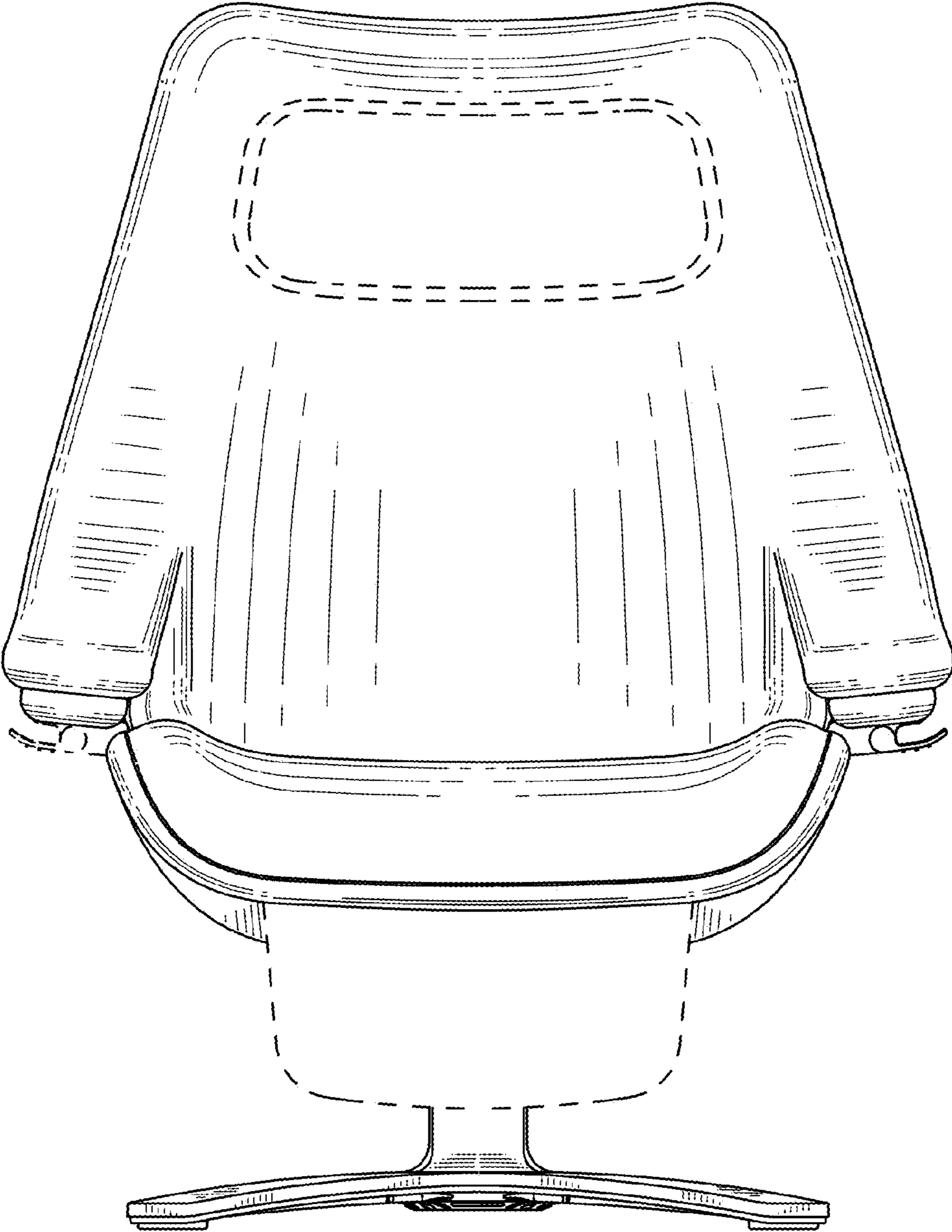


FIGURE 4

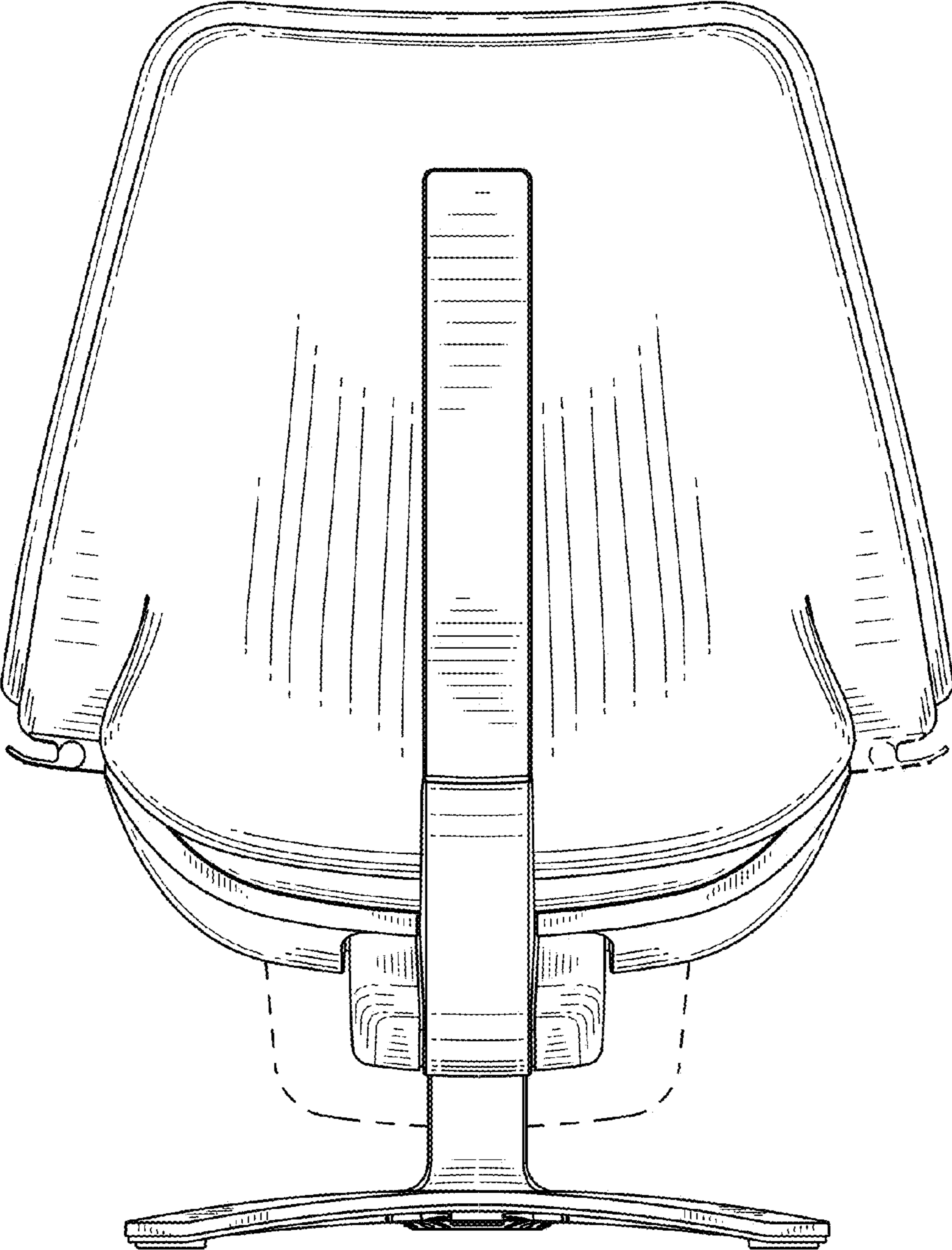
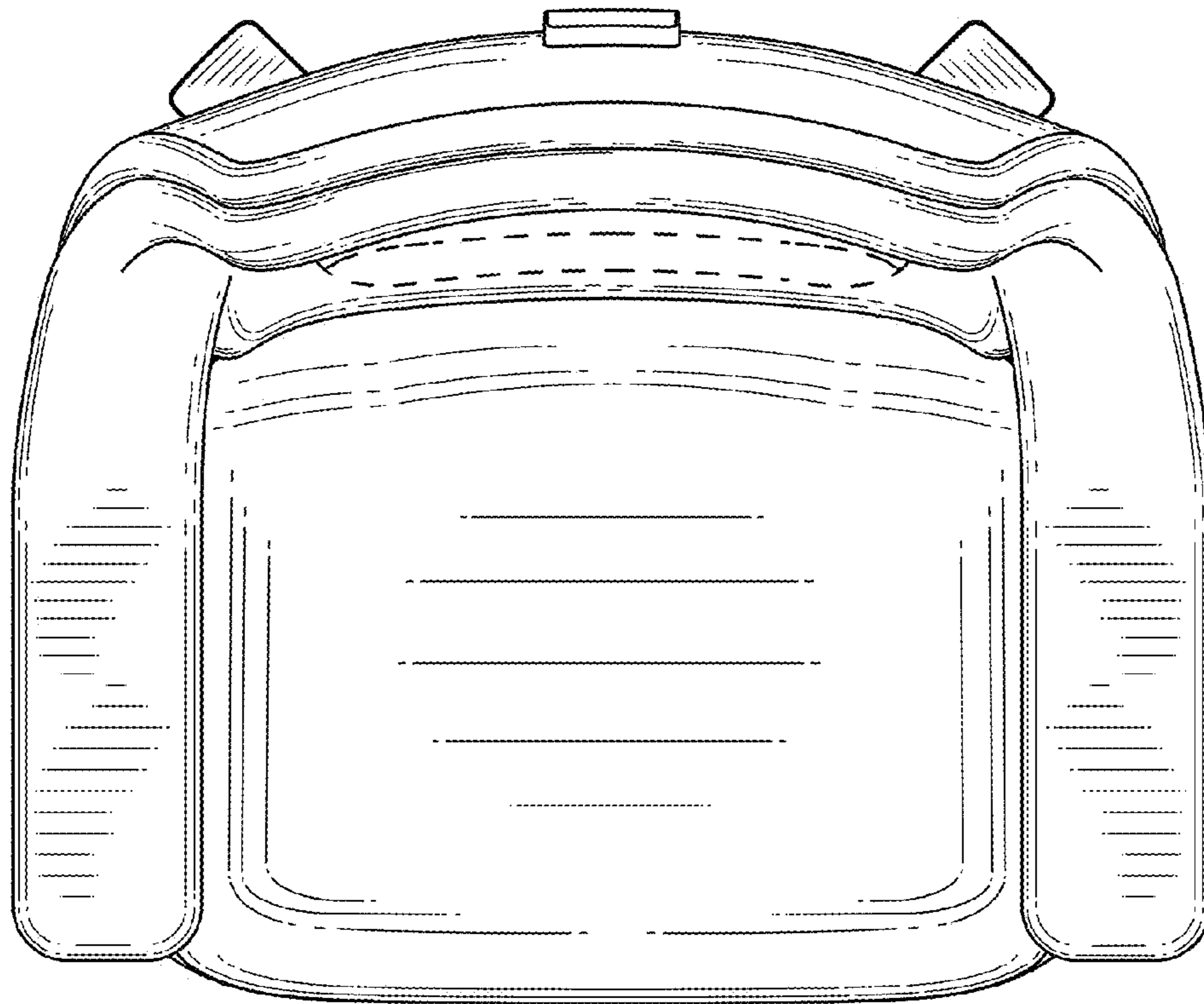


FIGURE 5



**FIGURE 6**

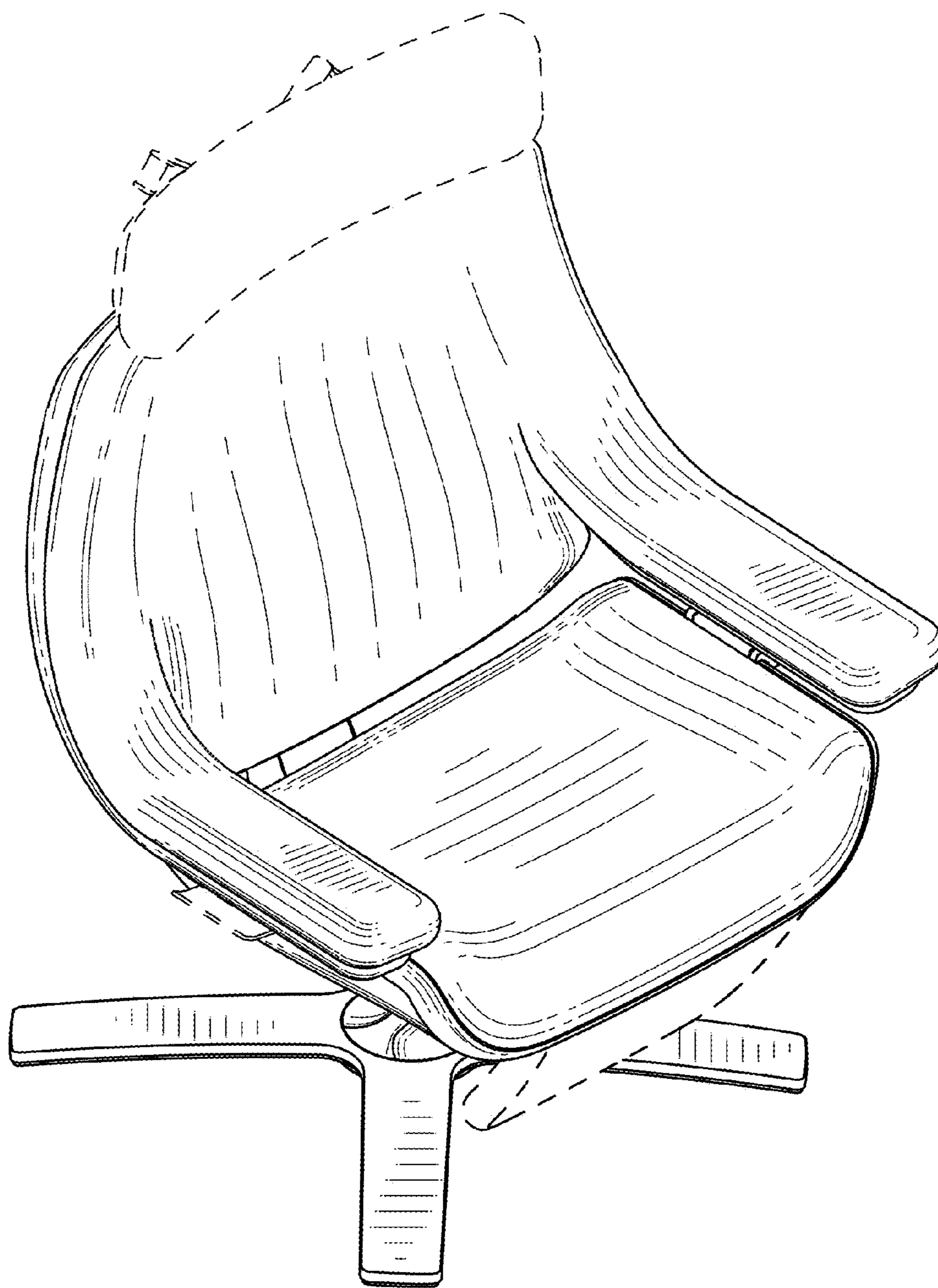


FIGURE 7



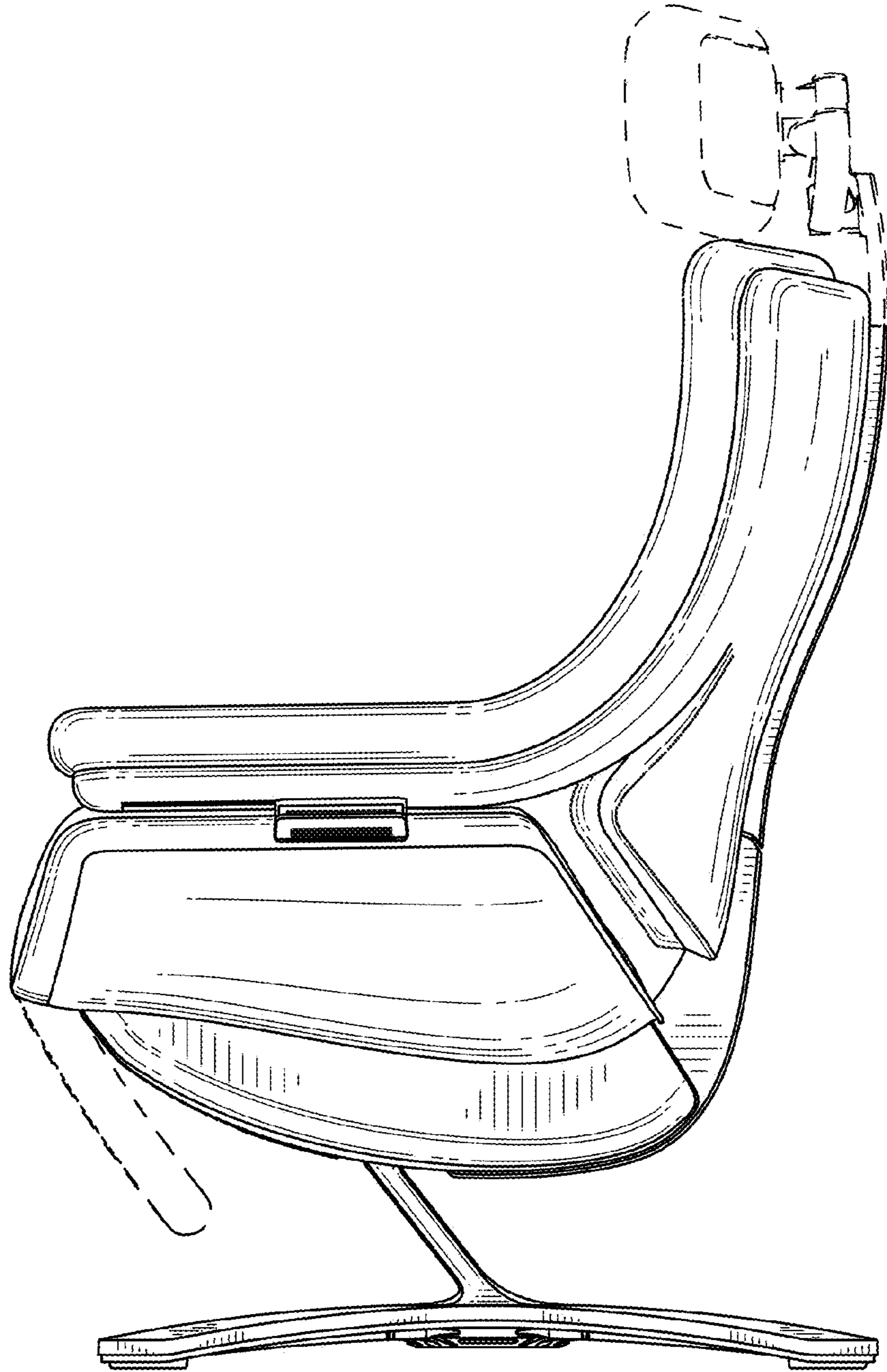


FIGURE 8

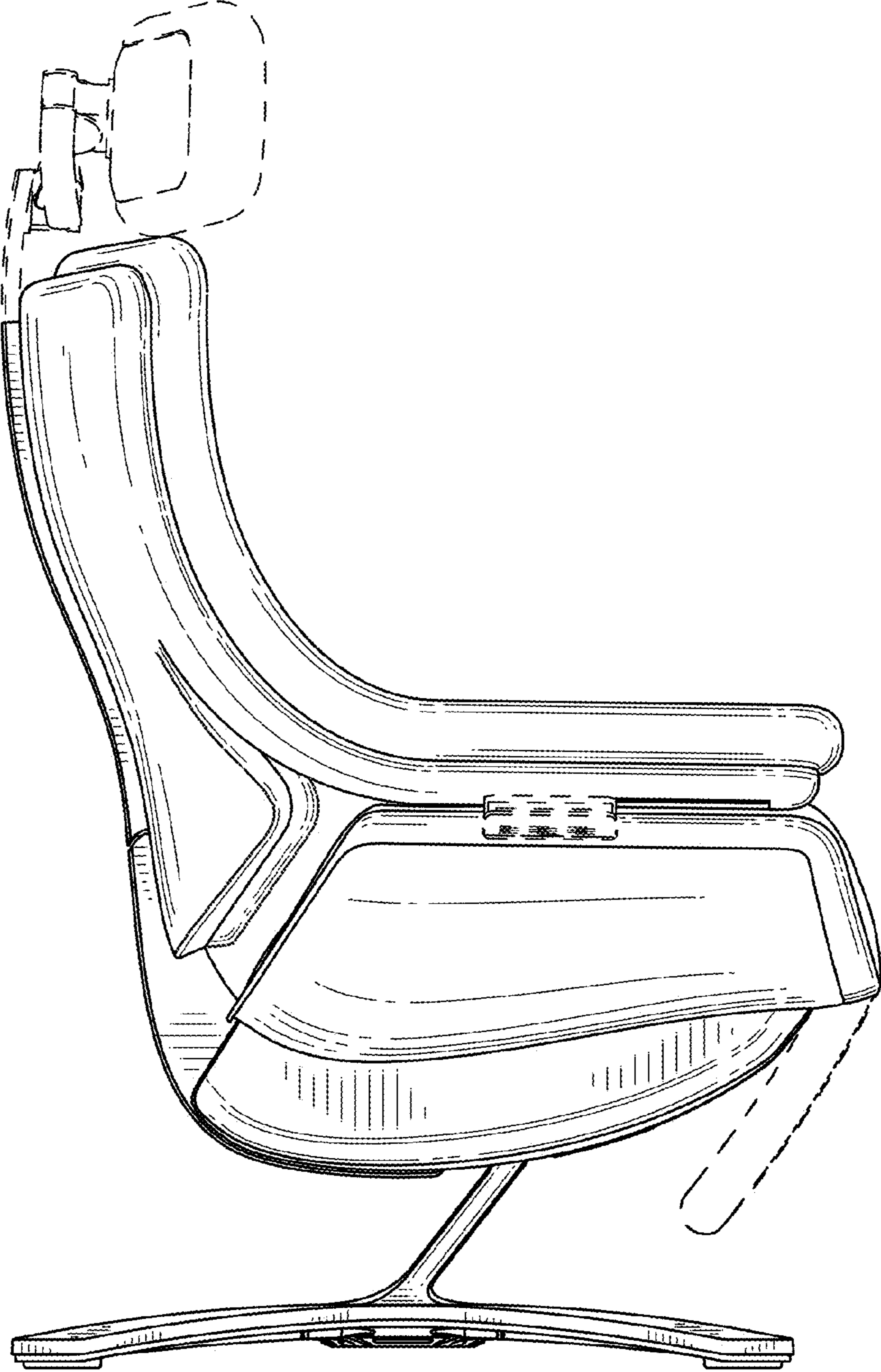


FIGURE 9

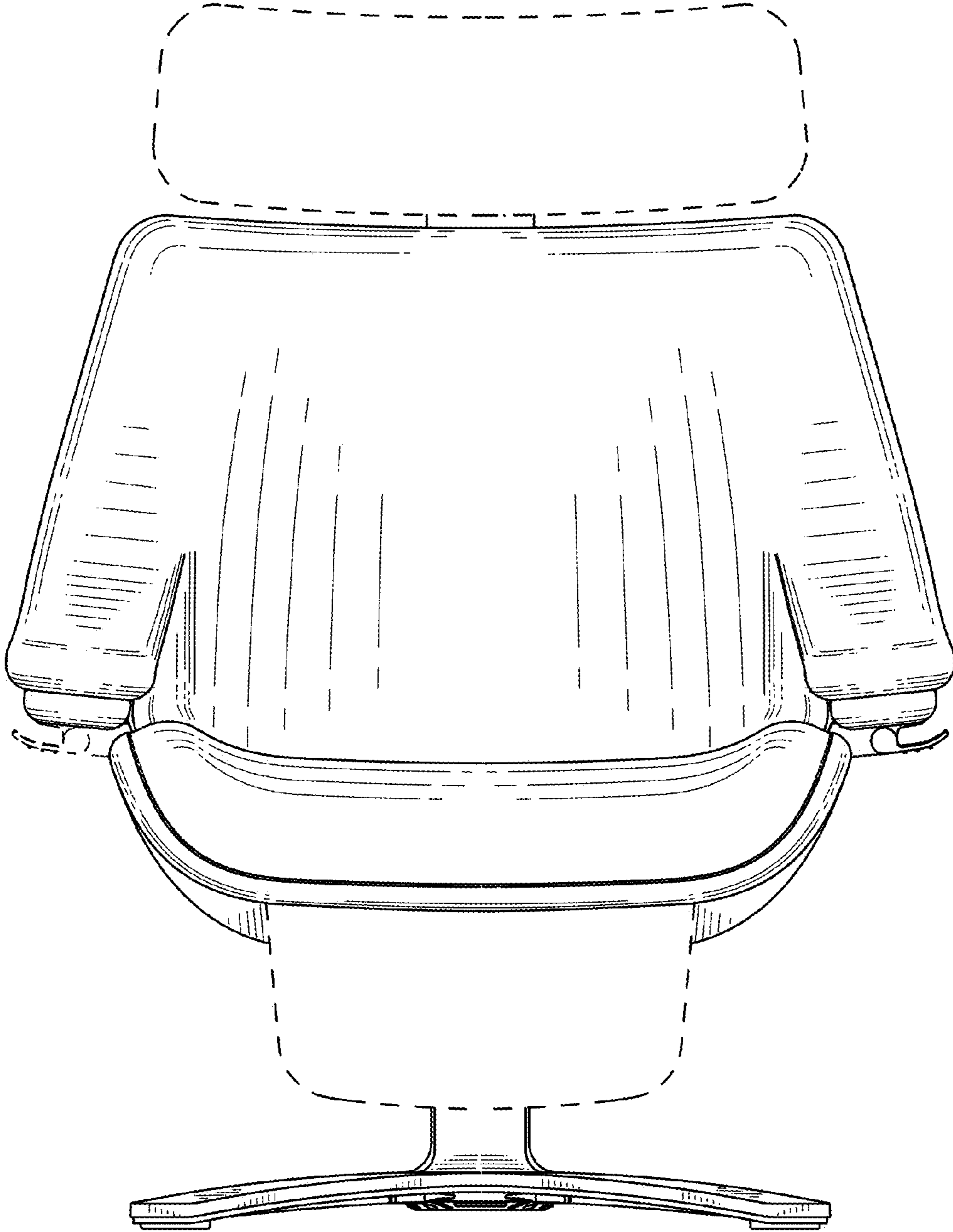


FIGURE 10

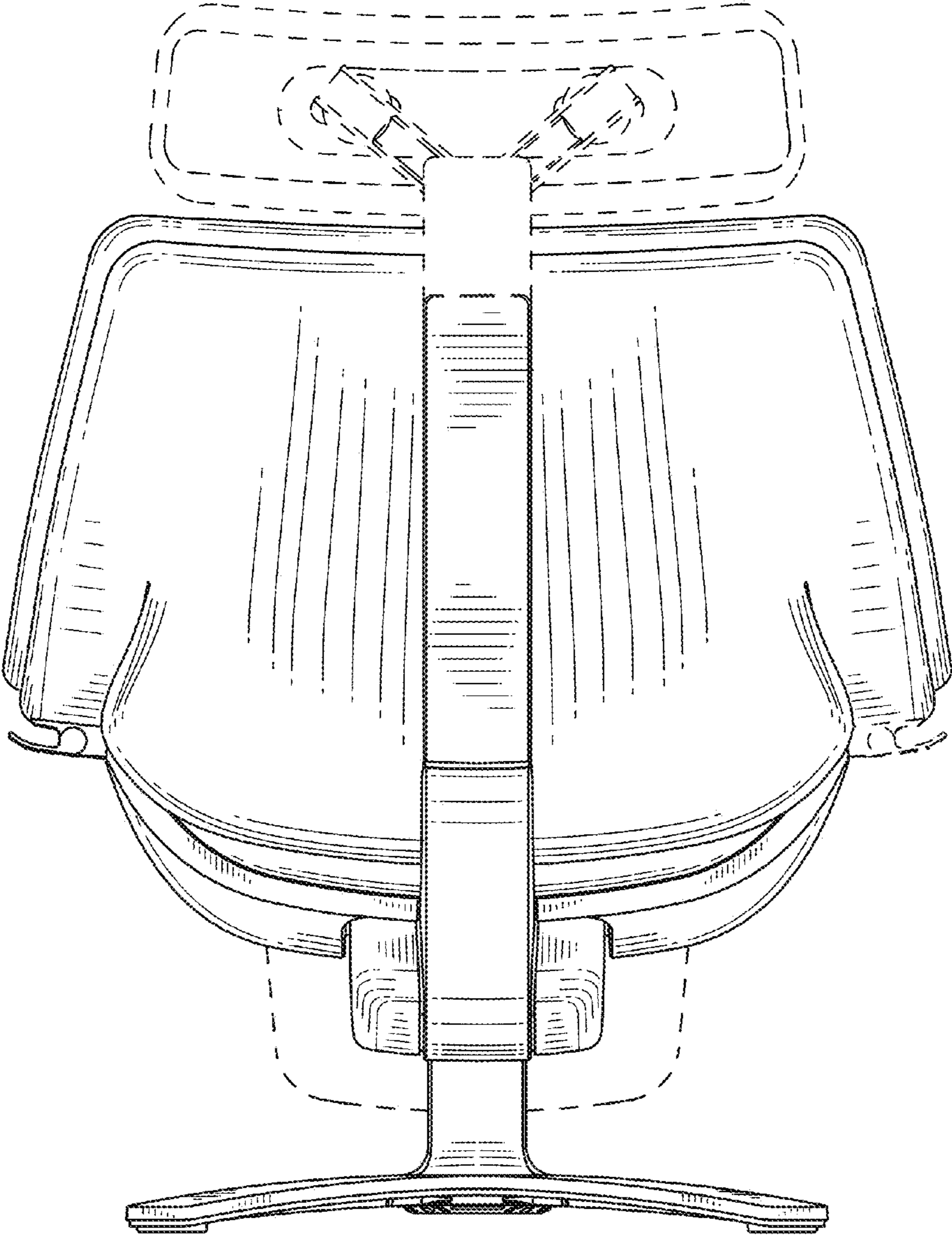


FIGURE 11

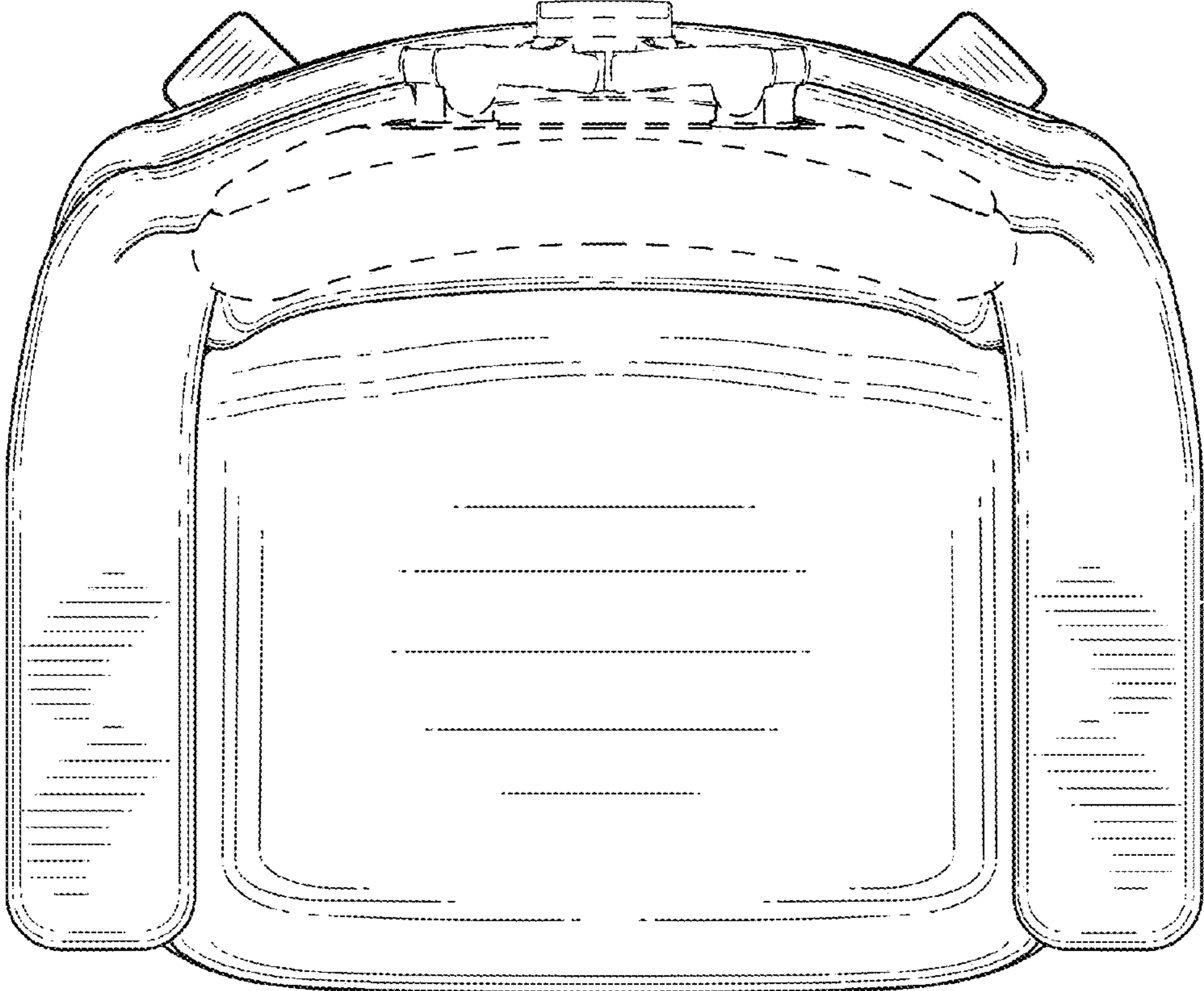


FIGURE 12