



US00D697730S

(12) **United States Design Patent**
Smith et al.

(10) **Patent No.:** **US D697,730 S**
(45) **Date of Patent:** **** Jan. 21, 2014**

(54) **CHAIR**

(71) Applicant: **Steelcase Inc.**, Grand Rapids, MI (US)

(72) Inventors: **Bruce M. Smith**, East Grand Rapids, MI (US); **Glen Oliver Low**, Hamburg (DE); **James N. Ludwig**, East Grand Rapids, MI (US); **Robert J. Battey**, Middleville, MI (US); **Gordon Jay Peterson**, Rockford, MI (US); **Russell Thomas Holdredge**, Alto, MI (US); **Richard N. Roslund, Jr.**, Jenison, MI (US); **Nathan Robert Brock**, Alto, MI (US)

(73) Assignee: **Steelcase Inc.**, Grand Rapids, MI (US)

(**) Term: **14 Years**

(21) Appl. No.: **29/432,777**

(22) Filed: **Sep. 20, 2012**

(51) **LOC (10) Cl.** **06-01**

(52) **U.S. Cl.**
USPC **D6/366**

(58) **Field of Classification Search**
USPC D6/334-336, 364, 365, 366, 367, 374, D6/376, 379, 380, 716, 716.1, 716.2, D6/716.3, 716.4, 716.5; 297/284.4, 298, 297/391, 396, 411.27, 411.35, 411.36, 297/411.37, 452.21, 452.29, 452.3, 452.32, 297/452.34, 452.48

See application file for complete search history.

(56) **References Cited**

U.S. PATENT DOCUMENTS

3,226,159 A	12/1965	Binding et al.
4,711,491 A	12/1987	Ginat
5,439,267 A	8/1995	Peterson et al.
5,599,067 A	2/1997	Schuelke et al.
5,725,276 A	3/1998	Ginat
5,772,282 A	6/1998	Stumpf et al.

5,871,258 A	2/1999	Battey et al.
5,934,758 A	8/1999	Ritch et al.
5,975,634 A	11/1999	Knoblock et al.
6,000,759 A	12/1999	Pedronno et al.
6,035,901 A	3/2000	Stumpf et al.
6,039,397 A	3/2000	Ginat
D423,261 S	4/2000	Ritch et al.
6,053,578 A	4/2000	van Hekken et al.
6,059,366 A	5/2000	Hu
6,059,368 A	5/2000	Stumpf et al.
6,076,892 A	6/2000	van Hekken et al.
6,079,785 A	6/2000	Peterson et al.
6,086,156 A	7/2000	Breen et al.

(Continued)

FOREIGN PATENT DOCUMENTS

EP	2233043	9/2010
JP	11290154	10/1999
JP	2004155269	6/2004

OTHER PUBLICATIONS

Haworth X99 Chair Brochure.

(Continued)

Primary Examiner — Mimoso De

(74) *Attorney, Agent, or Firm* — Price Heneveld LLP

(57) **CLAIM**

We claim the ornamental design for the chair, as shown and described.

DESCRIPTION

FIG. 1 is a perspective view of a chair embodying the present invention;

FIG. 2 is a front view of the chair;

FIG. 3 is a first side view of the chair;

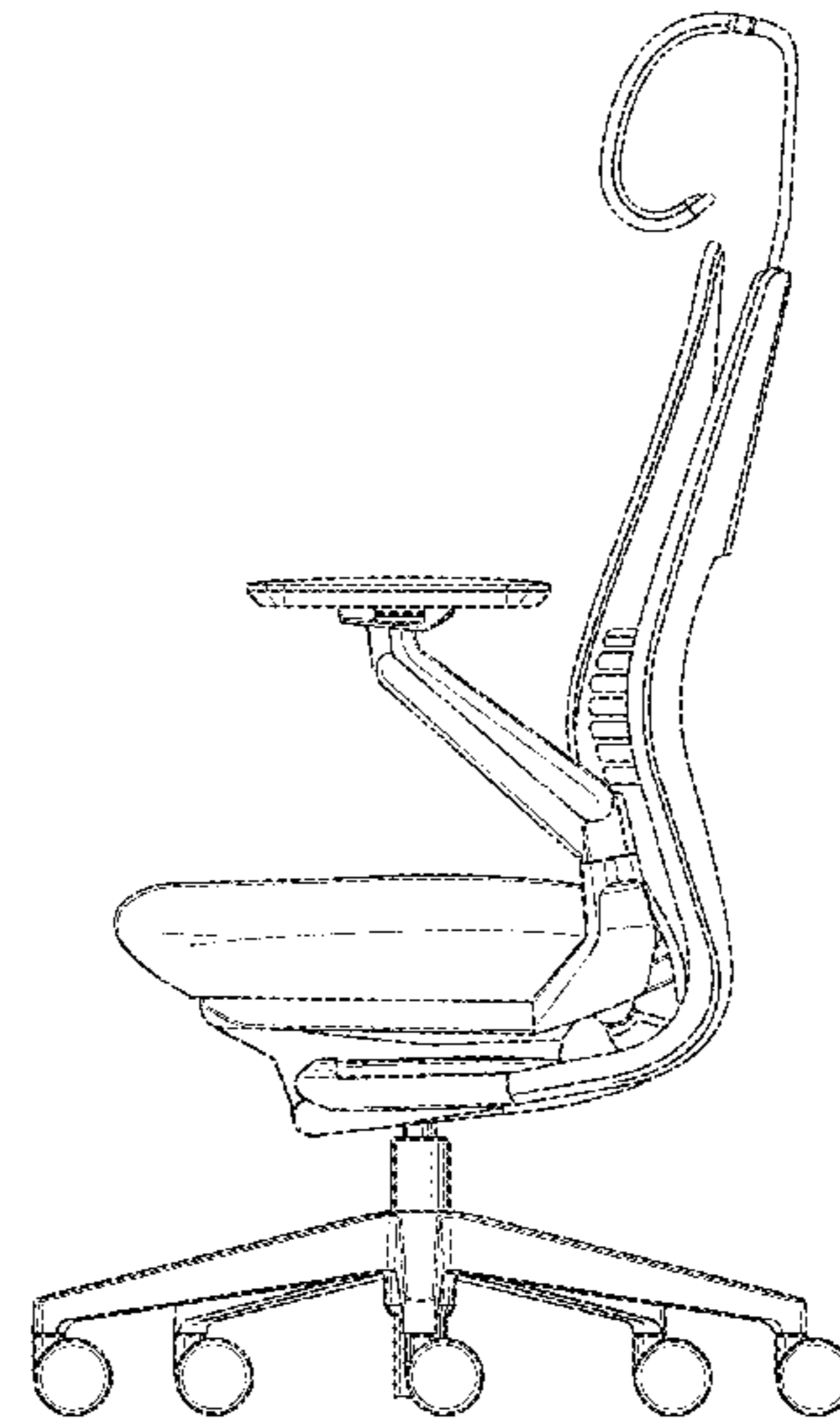
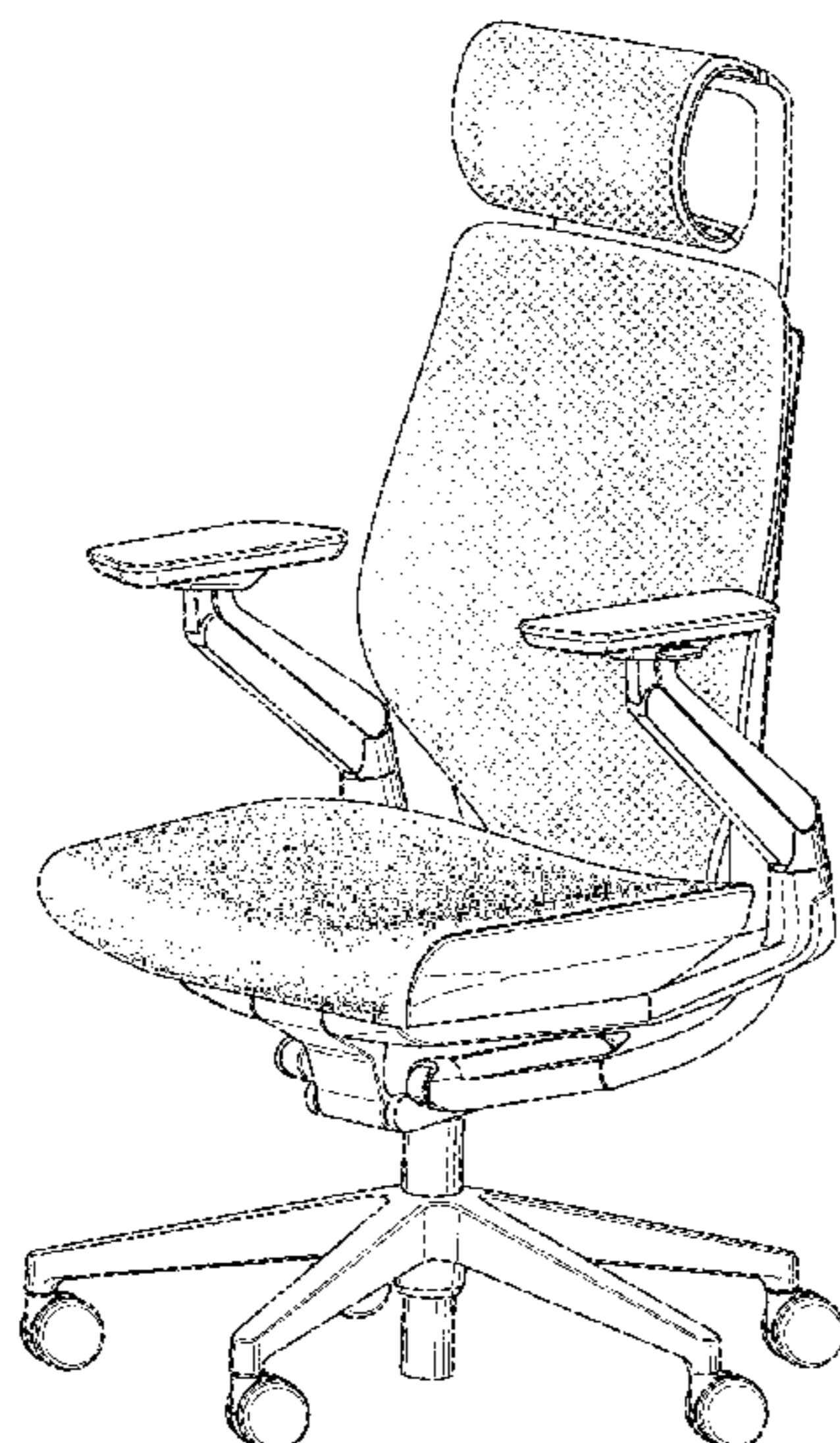
FIG. 4 is a second side view of the chair;

FIG. 5 is a rear view of the chair;

FIG. 6 is a top view of the chair; and,

FIG. 7 is a bottom view of the chair.

1 Claim, 7 Drawing Sheets



(56)

References Cited

U.S. PATENT DOCUMENTS

6,113,192 A	9/2000	Schneider	7,201,449 B2	4/2007	Tsai	
6,125,521 A	10/2000	Stumpf et al.	D543,040 S	5/2007	Hara	
D436,456 S	1/2001	Neil	D543,042 S	5/2007	Hara	
6,178,595 B1	1/2001	Marinoni	7,213,880 B2	5/2007	Schmitz et al.	
6,199,947 B1	3/2001	Wiklund	7,213,886 B2	5/2007	Schmitz et al.	
6,220,661 B1	4/2001	Peterson	7,216,936 B2	5/2007	Peterson	
D446,033 S	8/2001	Koepke et al.	D543,717 S	6/2007	Chen	
D451,723 S	12/2001	Grove	D544,720 S *	6/2007	Berbegal Perez	D6/366
6,364,415 B1	4/2002	Mori et al.	D544,722 S	6/2007	Scheper et al.	
6,382,719 B1	5/2002	Heidmann et al.	D545,582 S	7/2007	Wu	
6,386,634 B1	5/2002	Stumpf et al.	7,249,802 B2	7/2007	Schmitz et al.	
6,394,546 B1	5/2002	Knoblock et al.	D548,474 S	8/2007	Fancelli	
6,394,548 B1	5/2002	Batthey et al.	D548,994 S	8/2007	Mao	
6,394,549 B1	5/2002	DeKraker et al.	D549,473 S	8/2007	Wagner	
6,419,318 B1	7/2002	Albright et al.	D549,474 S	8/2007	Wagner	
6,460,932 B1	10/2002	Koish et al.	D549,976 S	9/2007	Lin	
6,471,294 B1	10/2002	Dammermann et al.	D550,976 S	9/2007	Bellini et al.	
6,499,801 B1	12/2002	Peterson et al.	7,270,378 B2	9/2007	Wilkerson et al.	
6,502,904 B1	1/2003	Hansen	7,273,253 B2	9/2007	Deimen et al.	
6,508,509 B2	1/2003	Peterson	D552,857 S	10/2007	Wang	
6,572,190 B2	6/2003	Koepke et al.	7,281,764 B2	10/2007	Thole	
6,588,842 B2	7/2003	Stumpf et al.	D554,877 S	11/2007	Tsai	
6,609,755 B2	8/2003	Koepke et al.	D557,024 S	12/2007	Chen	
6,616,228 B2	9/2003	Heidmann	D557,027 S	12/2007	Hara	
6,619,746 B2	9/2003	Roslund, Jr. et al.	D557,914 S	12/2007	Ong	
D482,205 S	11/2003	English et al.	D557,950 S	12/2007	Lu	
6,644,749 B2	11/2003	VanDeRiet et al.	7,303,232 B1	12/2007	Chen	
6,669,292 B2	12/2003	Koepke et al.	D558,492 S	1/2008	Lu	
D486,656 S	2/2004	Su	D558,998 S *	1/2008	Hara	D6/366
6,688,690 B2	2/2004	Watson et al.	D567,522 S *	4/2008	Igarashi	D6/366
D487,359 S	3/2004	Giugiaro	D567,523 S *	4/2008	Hara	D6/366
6,702,390 B2	3/2004	Stumpf et al.	7,360,835 B2	4/2008	Tubergen et al.	
6,709,060 B1	3/2004	Su	7,360,839 B1	4/2008	Chen	
6,722,741 B2	4/2004	Stumpf et al.	D568,624 S *	5/2008	Wen	D6/366
6,726,278 B1	4/2004	Albright et al.	7,367,622 B2	5/2008	Roslund et al.	
6,726,286 B2	4/2004	Stumpf et al.	D571,569 S	6/2008	Fancelli	
6,729,691 B2	5/2004	Koepke et al.	D572,493 S	7/2008	Zhang	
6,733,080 B2	5/2004	Stumpf et al.	D573,361 S	7/2008	Kung	
D490,994 S	6/2004	Schmitz et al.	D576,809 S	9/2008	Christianson et al.	
6,758,523 B2	7/2004	VanDeRiet et al.	D576,813 S	9/2008	Baldanzi et al.	
D493,626 S	8/2004	James	D576,814 S	9/2008	Baldanzi et al.	
D493,627 S	8/2004	Ma	7,419,222 B2	9/2008	Schmitz et al.	
6,779,839 B2	8/2004	Andreasson et al.	7,425,037 B2	9/2008	Schmitz et al.	
D496,812 S	10/2004	Chu	7,425,039 B2	9/2008	Lin	
D497,264 S	10/2004	Aubriet et al.	7,427,105 B2	9/2008	Knoblock et al.	
D499,564 S	12/2004	Meda	7,434,879 B2	10/2008	Ueda et al.	
6,837,546 B2	1/2005	VanDeRiet et al.	7,494,188 B1	2/2009	Lin	
6,857,704 B2	2/2005	Stenzel et al.	7,500,718 B2	3/2009	Fookes	
6,874,852 B2	4/2005	Footitt	7,517,009 B2	4/2009	Mauro et al.	
6,880,215 B2	4/2005	Peterson	7,527,335 B2	5/2009	Eberlein et al.	
D507,124 S	7/2005	Yang	7,533,939 B2	5/2009	Fookes et al.	
D507,423 S	7/2005	Beaulieu et al.	D593,345 S	6/2009	Schweikarth et al.	
6,913,315 B2	7/2005	Ball et al.	7,549,704 B1	6/2009	Chou et al.	
D507,910 S	8/2005	Bock	7,594,700 B2	9/2009	Stumpf et al.	
6,942,300 B2	9/2005	Numa et al.	D601,830 S	10/2009	Egger	
6,945,601 B1	9/2005	Wu	7,604,298 B2	10/2009	Peterson et al.	
6,948,775 B2	9/2005	Tsai	7,625,045 B2	12/2009	Hatcher et al.	
6,955,402 B2	10/2005	VanDeRiet et al.	D610,822 S	3/2010	Chen	
6,966,604 B2	11/2005	Stumpf et al.	7,744,159 B2	6/2010	Lee	
D512,232 S	12/2005	Wu	7,798,573 B2	9/2010	Pennington et al.	
6,983,997 B2	1/2006	Wilkerson et al.	7,806,481 B2	10/2010	Eberlein	
D514,832 S	2/2006	Tsai	7,815,259 B2	10/2010	Fookes et al.	
D517,820 S *	3/2006	Citterio	7,828,389 B2	11/2010	Oda	
7,014,269 B2	3/2006	Coffield et al.	7,832,803 B2	11/2010	Cassaday	
7,025,424 B2	4/2006	Harley	7,837,269 B2	11/2010	Bock	
D521,755 S	5/2006	Kinoshita et al.	7,837,272 B2	11/2010	Masunaga et al.	
D523,252 S	6/2006	Leitao	7,841,665 B2	11/2010	Geister et al.	
7,059,681 B2	6/2006	Kubo	7,841,666 B2	11/2010	Schmitz et al.	
7,066,537 B2	6/2006	Coffield et al.	7,857,388 B2	12/2010	Bedford et al.	
7,066,546 B2	6/2006	Trego et al.	7,887,131 B2	2/2011	Chadwick et al.	
7,097,247 B2	8/2006	Batthey et al.	7,887,135 B2	2/2011	Oda	
7,131,700 B2	11/2006	Knoblock et al.	D634,558 S	3/2011	Deisig	
D535,505 S	1/2007	Cai	7,922,248 B2	4/2011	Aldrich et al.	
7,159,947 B1	1/2007	Lee	D638,635 S	5/2011	Sander et al.	
D541,062 S	4/2007	Su	7,980,631 B2	7/2011	Diffrient	
			8,016,360 B2	9/2011	Machael et al.	
			8,029,066 B2	10/2011	Su	
			8,038,212 B2	10/2011	Vickers et al.	
			D648,947 S *	11/2011	Ong	D6/366

(56)

References Cited

U.S. PATENT DOCUMENTS

8,061,778 B2 11/2011 Machael et al.
 D650,617 S 12/2011 Chen
 D653,467 S 2/2012 Ballendat
 D654,709 S 2/2012 Fujita
 D654,711 S 2/2012 Fujita
 D655,523 S * 3/2012 Neil D6/366
 D655,524 S 3/2012 Kim
 D656,329 S * 3/2012 Nakamura et al. D6/366
 D657,166 S 4/2012 Behar et al.
 D657,594 S 4/2012 Knight et al.
 D661,523 S * 6/2012 Wu D6/716.5
 D665,591 S * 8/2012 Tanaka et al. D6/366
 D683,151 S * 5/2013 Smith et al. D6/366
 D688,497 S * 8/2013 Smith et al. D6/716
 D688,498 S * 8/2013 Smith et al. D6/716
 D688,499 S * 8/2013 Smith et al. D6/716
 D688,500 S * 8/2013 Smith et al. D6/716
 D688,501 S * 8/2013 Smith et al. D6/716
 D688,502 S * 8/2013 Smith et al. D6/716.2
 D688,503 S * 8/2013 Smith et al. D6/716.4
 D688,504 S * 8/2013 Smith et al. D6/716.4
 D688,505 S * 8/2013 Smith et al. D6/716.4
 D688,907 S * 9/2013 Smith et al. D6/716.2

2002/0003368 A1 1/2002 VanDeRiet et al.
 2002/0074843 A1 6/2002 Malsch et al.
 2003/0030317 A1 2/2003 Chen
 2003/0047980 A1 3/2003 Vassallo
 2004/0000805 A1 1/2004 VanDeRiet et al.
 2004/0155503 A1 8/2004 Stumpf et al.
 2005/0052061 A1 3/2005 Deimen et al.
 2005/0062323 A1 3/2005 Dicks
 2008/0122284 A1 5/2008 Yang
 2009/0021069 A1 1/2009 Hentschel et al.
 2009/0108660 A1 * 4/2009 Weber et al. 297/411.36
 2009/0195045 A1 * 8/2009 Lai 297/411.35
 2009/0278393 A1 * 11/2009 He 297/411.35
 2010/0007190 A1 1/2010 Johnson et al.
 2010/0237679 A1 9/2010 Tsukiji et al.
 2010/0244521 A1 9/2010 Ueda
 2010/0276978 A1 11/2010 Furuta et al.
 2011/0012395 A1 1/2011 Roslund et al.
 2011/0198907 A1 8/2011 Masunaga et al.
 2011/0248543 A1 10/2011 Hitchcock et al.

OTHER PUBLICATIONS

Werndl #1 Brochure.
 Steelcase Please Chair Brochure.

* cited by examiner

FIG. 1



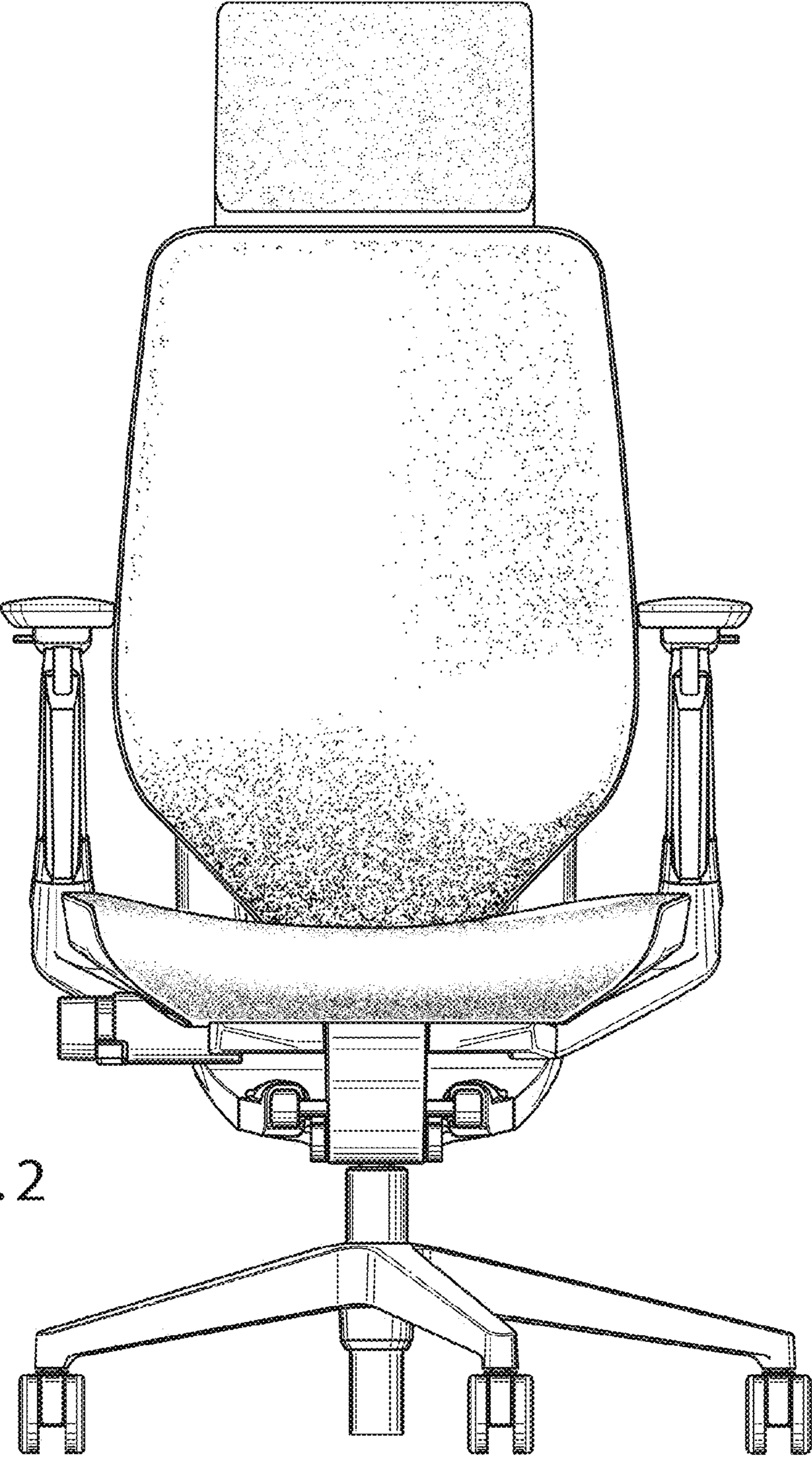
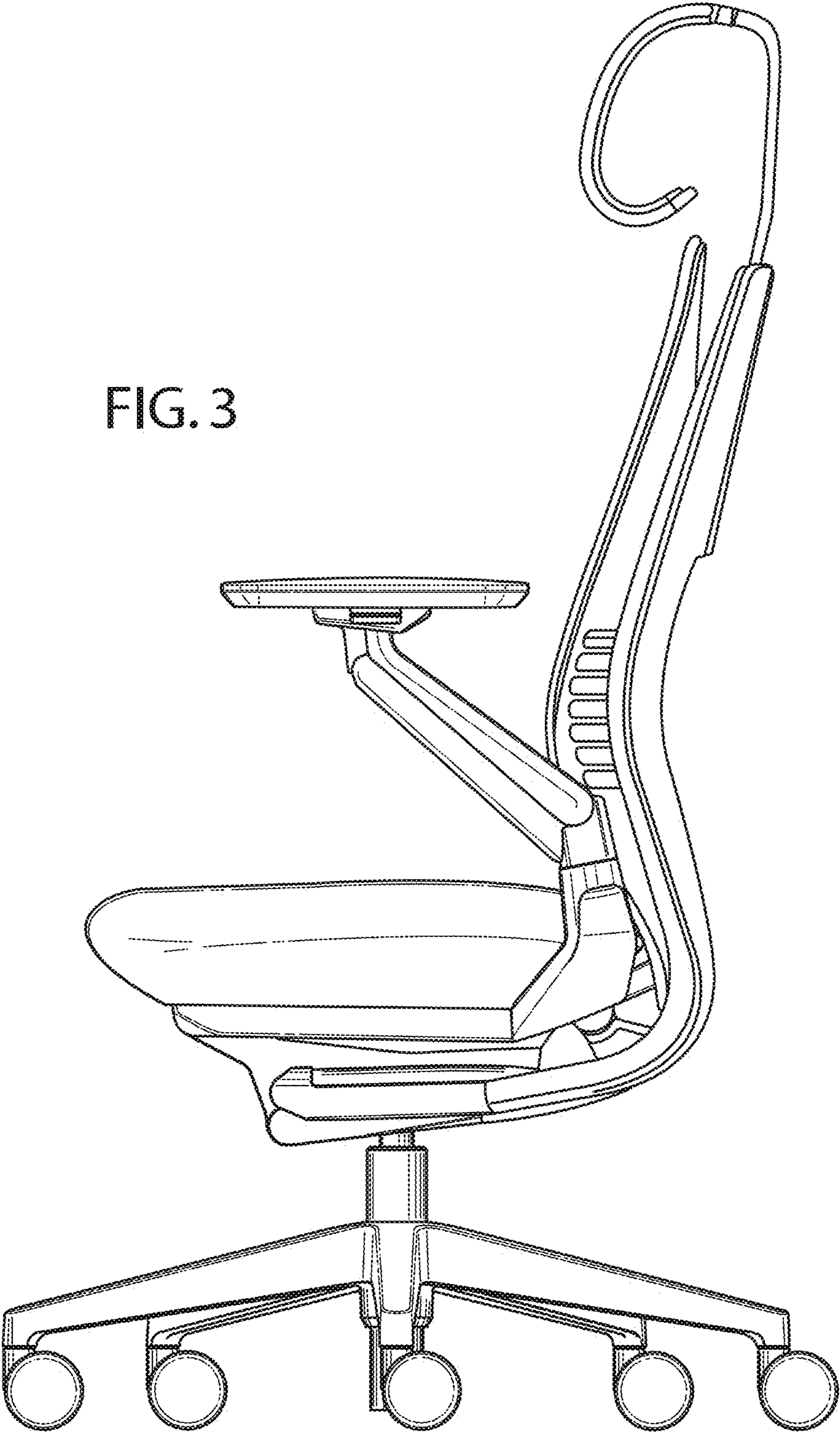


FIG. 2

FIG. 3



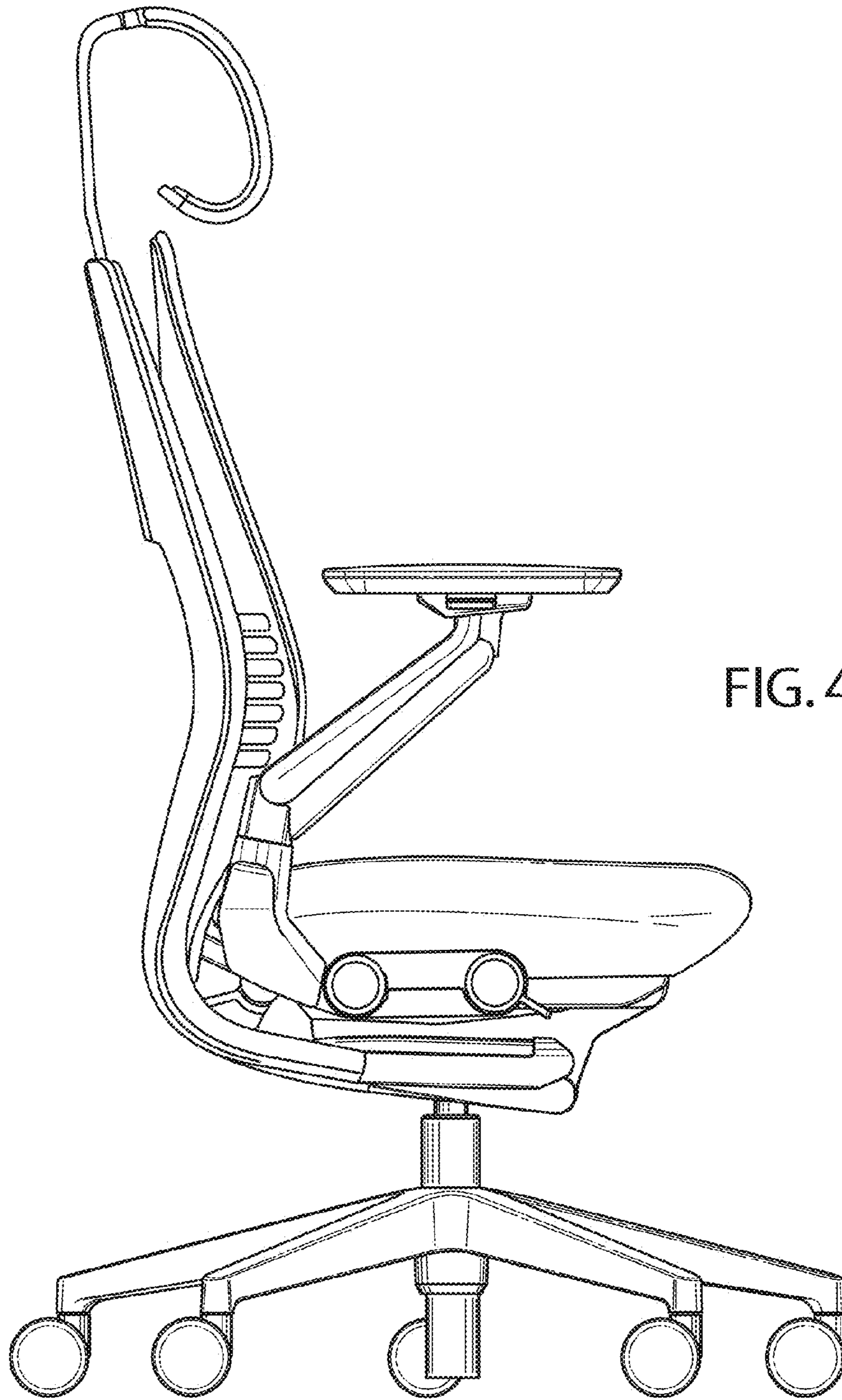


FIG. 4

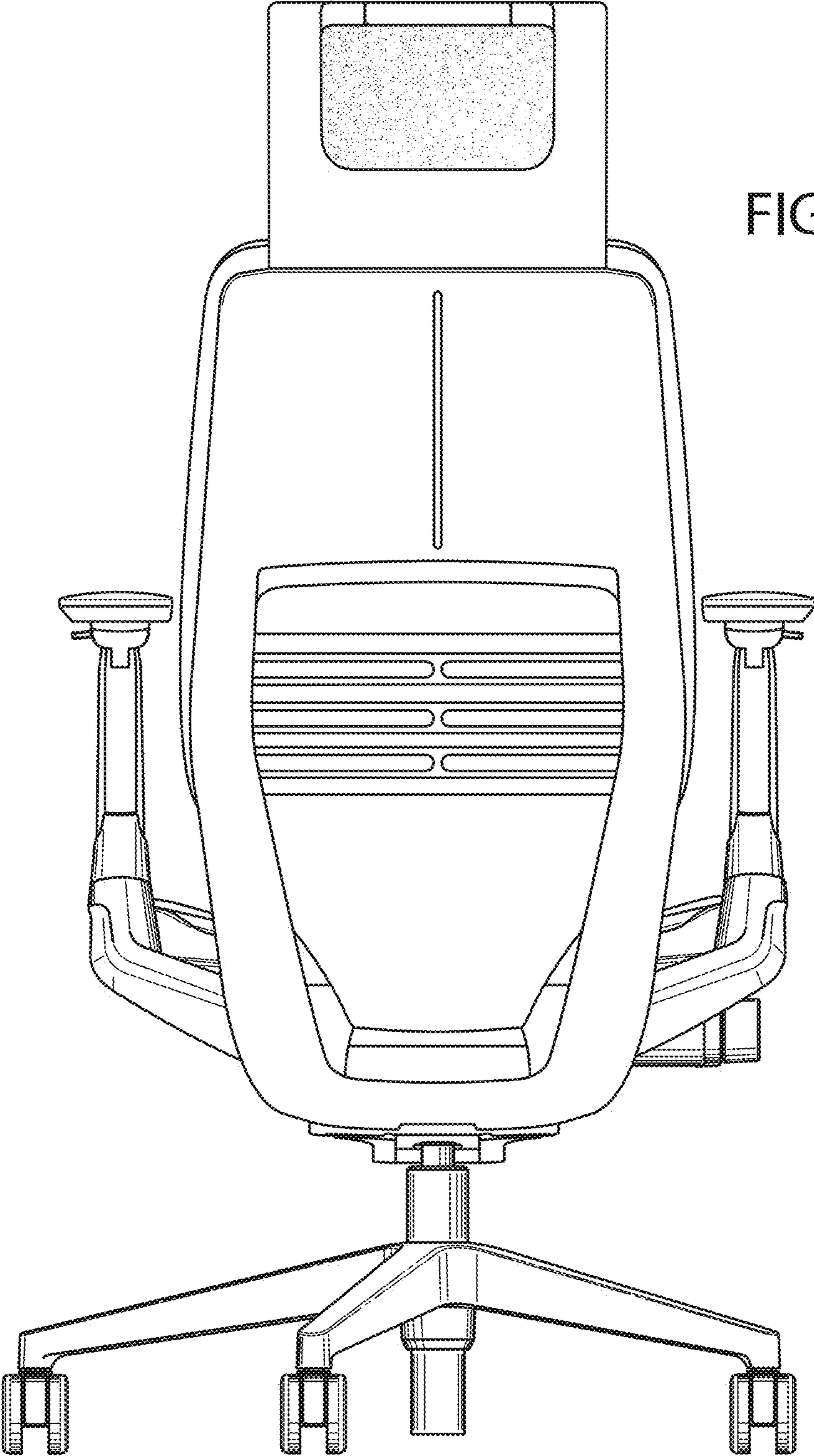


FIG. 5

FIG. 6

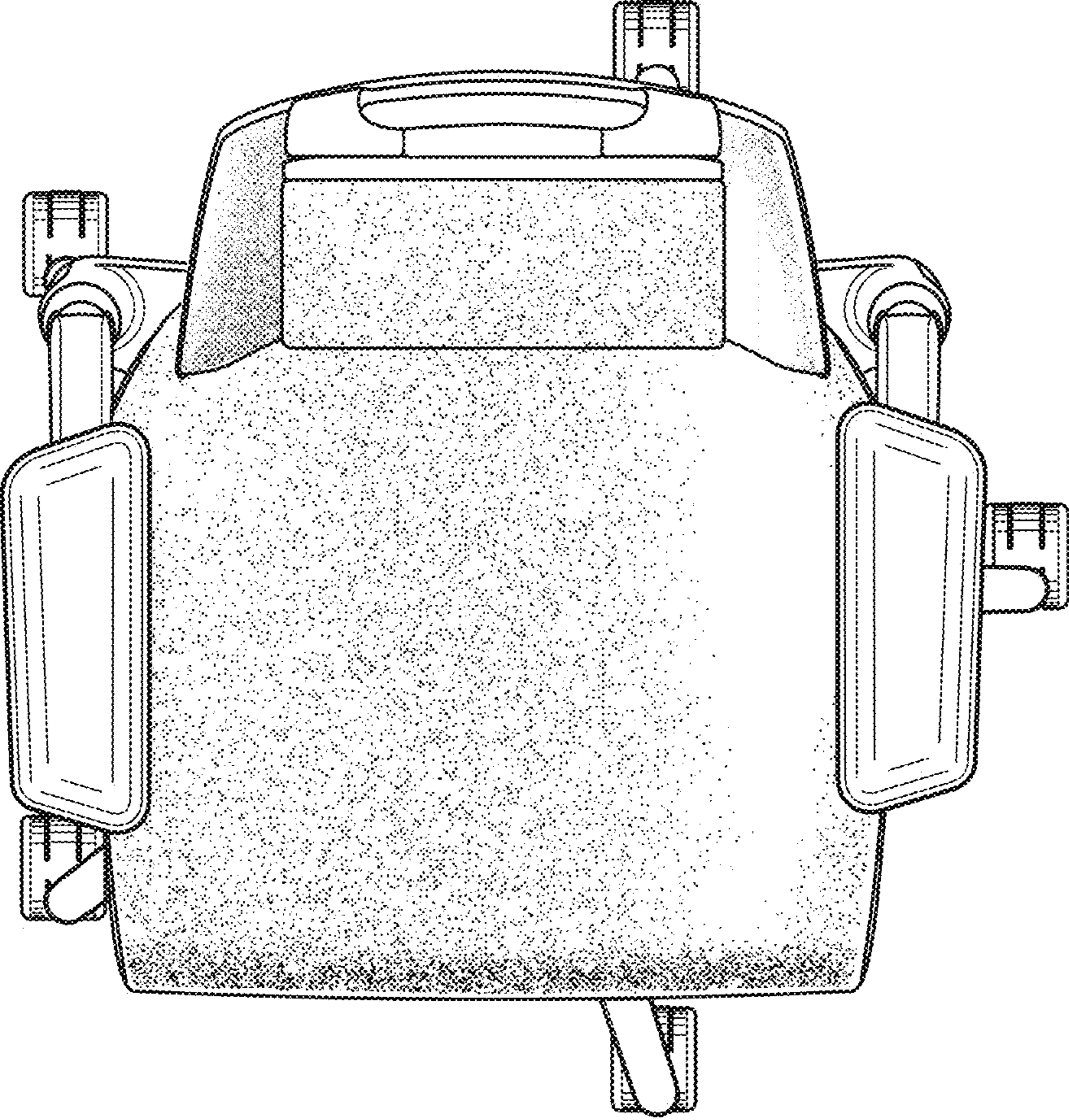


FIG. 7

