



US00D697725S

(12) **United States Design Patent**
Wu

(10) **Patent No.:** **US D697,725 S**
(45) **Date of Patent:** **** Jan. 21, 2014**

- (54) **CHAIR FRAME WITH TABLE**
- (71) Applicant: **Yao-Chuan Wu**, Chiayi Hsien (TW)
- (72) Inventor: **Yao-Chuan Wu**, Chiayi Hsien (TW)
- (**) Term: **14 Years**
- (21) Appl. No.: **29/457,777**
- (22) Filed: **Jun. 13, 2013**
- (51) **LOC (10) Cl.** **06-01**
- (52) **U.S. Cl.**
USPC **D6/338**
- (58) **Field of Classification Search**
USPC D6/334-338, 349, 355, 361, 368-370,
D6/376, 379-381, 492, 500-502, 601, 716,
D6/716.1, 716.4, 377; 297/16.1, 42, 94,
297/135, 175, 232, 233, 350, 351, 445.1,
297/448.1, 448.2, 451.9; 5/12.1, 12.2
See application file for complete search history.

D646,085 S *	10/2011	Overthun et al.	D6/500
D646,497 S *	10/2011	Overthun et al.	D6/375
D667,243 S *	9/2012	Su	D6/500
D679,523 S *	4/2013	Corcorran et al.	D6/716
D679,524 S *	4/2013	Corcorran et al.	D6/716
D679,525 S *	4/2013	Corcorran et al.	D6/716
2005/0099040 A1 *	5/2005	Mills et al.	297/170

* cited by examiner

Primary Examiner — Sandra Snapp

(74) *Attorney, Agent, or Firm* — Alan Kamrath; Kamrath IP Lawfirm, P.A.

(57) **CLAIM**

The ornamental design for a chair frame with table, as shown and described.

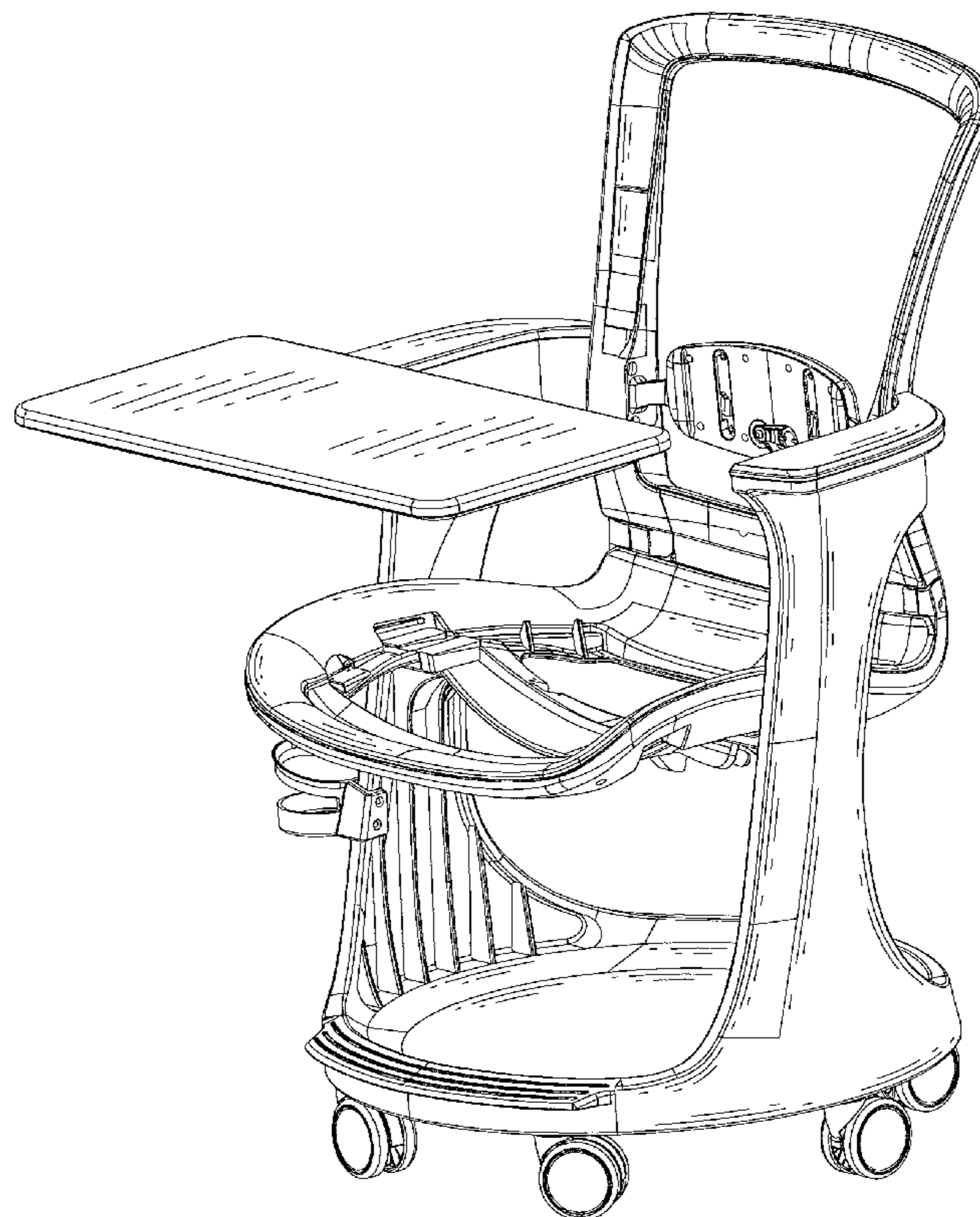
DESCRIPTION

FIG. 1 is a perspective view of a chair frame with table showing my design;
 FIG. 2 is a front elevational view thereof;
 FIG. 3 is a rear elevational view thereof;
 FIG. 4 is a left side elevational view thereof;
 FIG. 5 is a right side elevational view thereof;
 FIG. 6 is a top plan view thereof; and,
 FIG. 7 is a bottom plan view thereof.

1 Claim, 7 Drawing Sheets

(56) **References Cited**
U.S. PATENT DOCUMENTS

D363,316 S *	10/1995	Hollander	D21/303
D505,022 S *	5/2005	Mills et al.	D6/338
D507,890 S *	8/2005	Mills et al.	D6/336
D555,372 S *	11/2007	Lin	D6/336
D587,916 S *	3/2009	Bouroullec et al.	D6/366
D618,922 S *	7/2010	Fuchs	D6/338
D636,612 S *	4/2011	Overthun et al.	D6/338



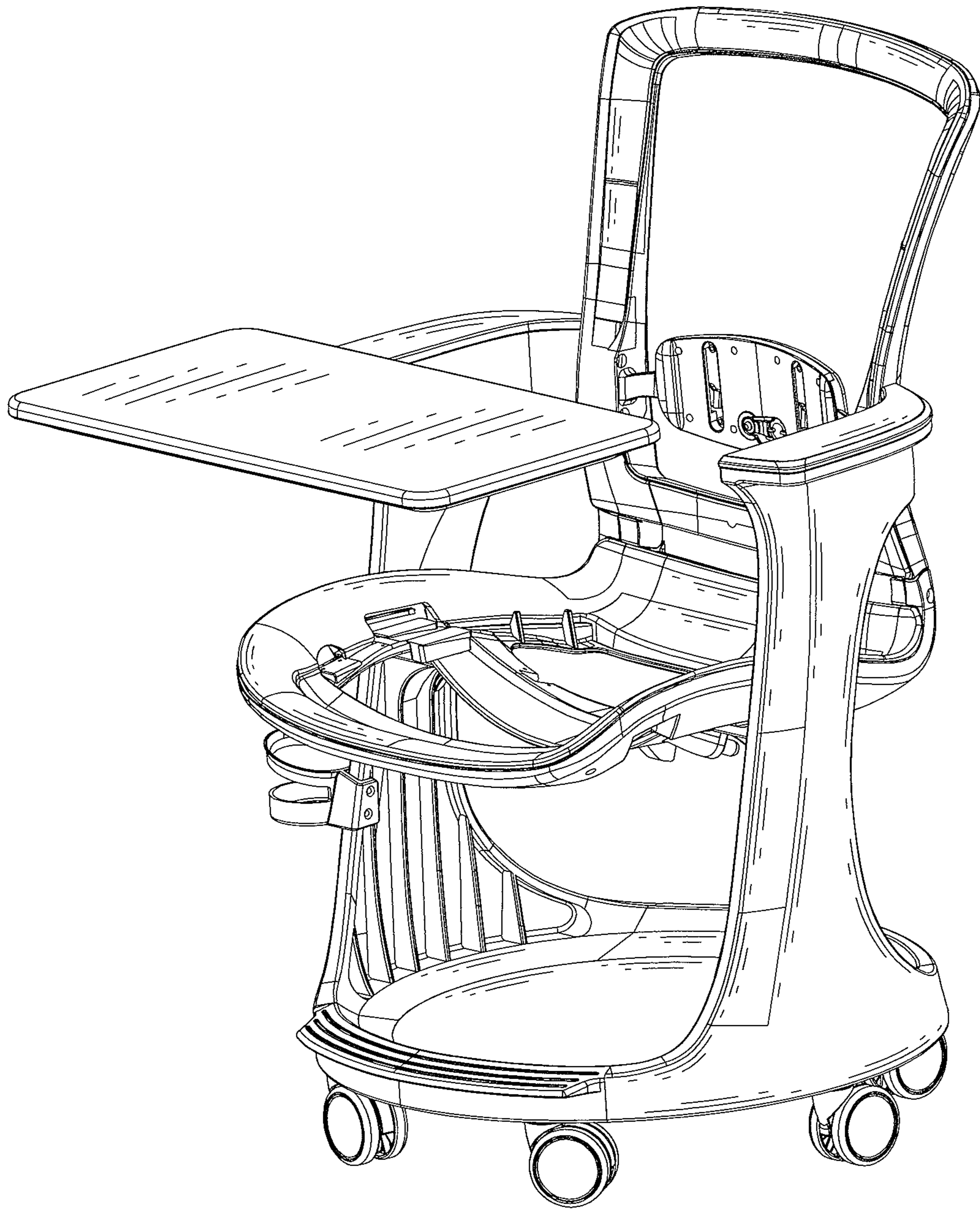


FIG. 1

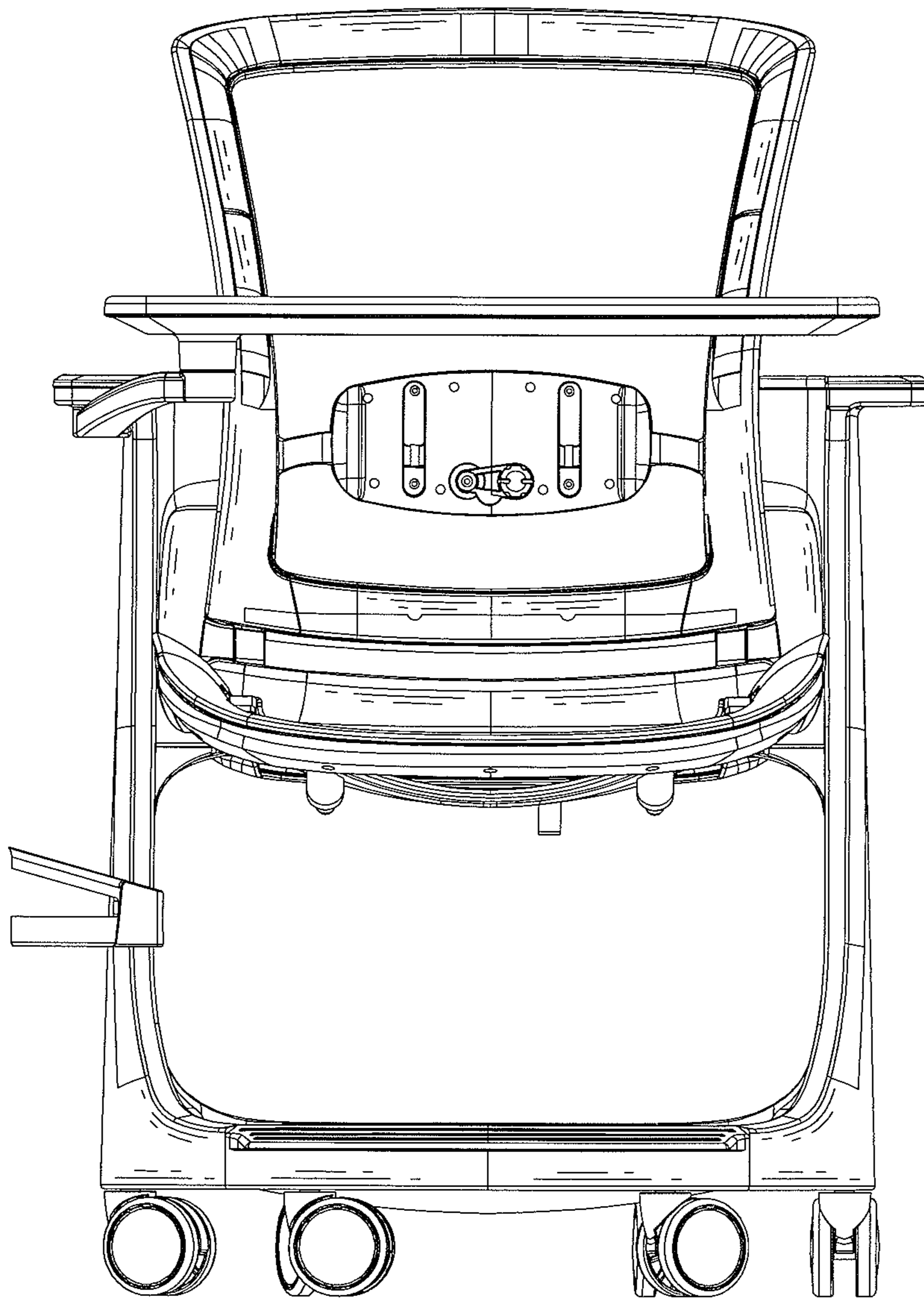


FIG. 2

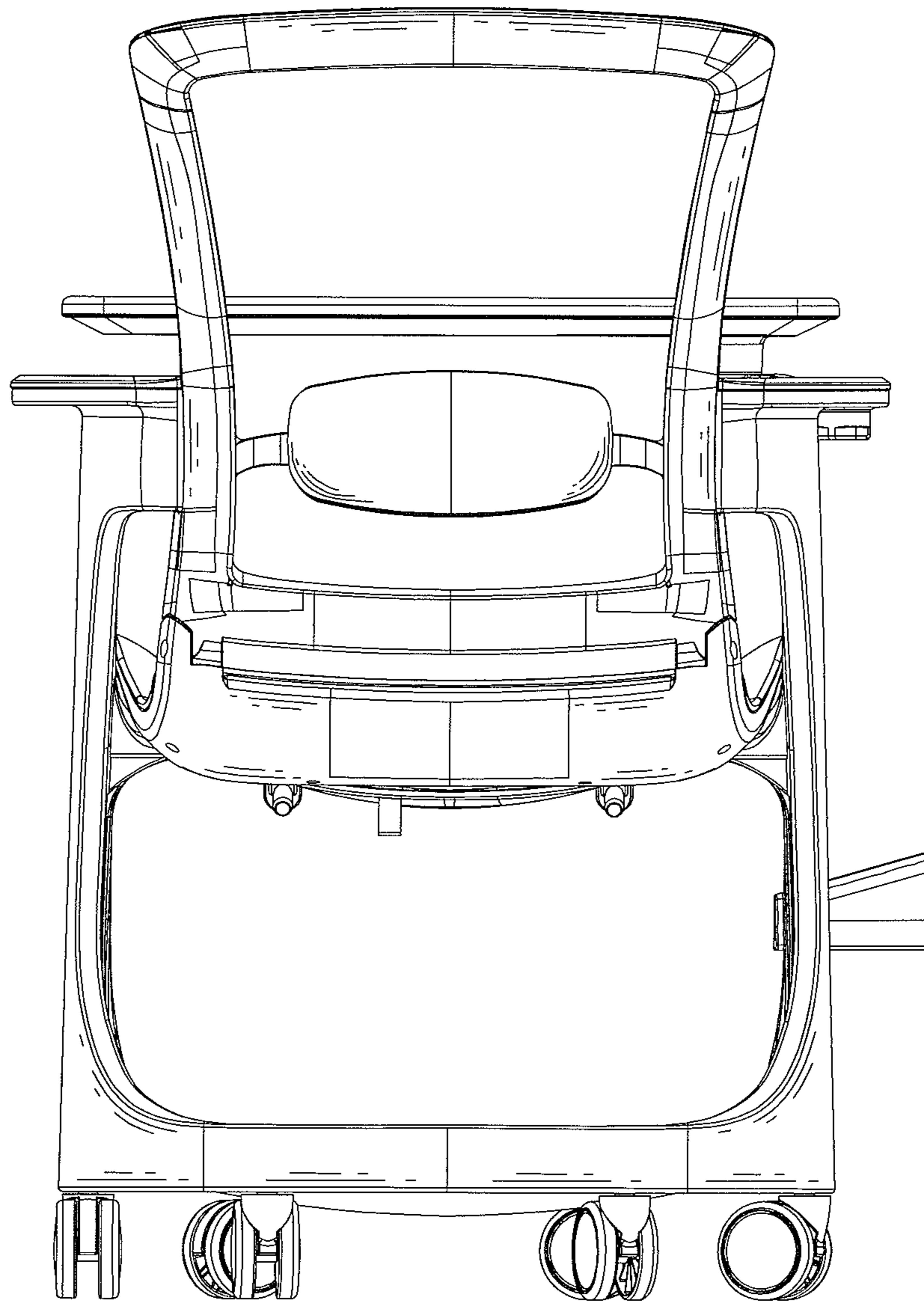


FIG. 3

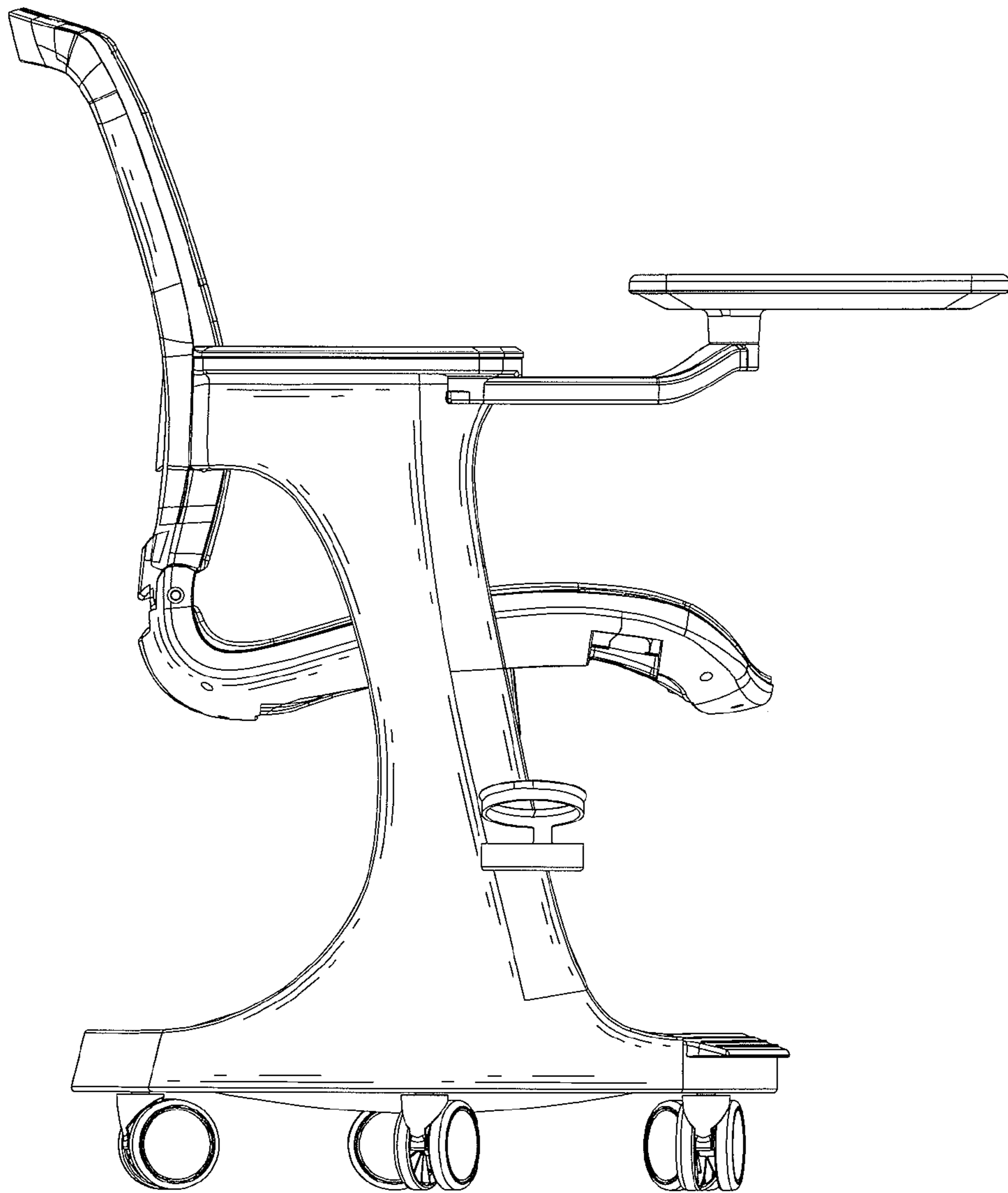


FIG. 4

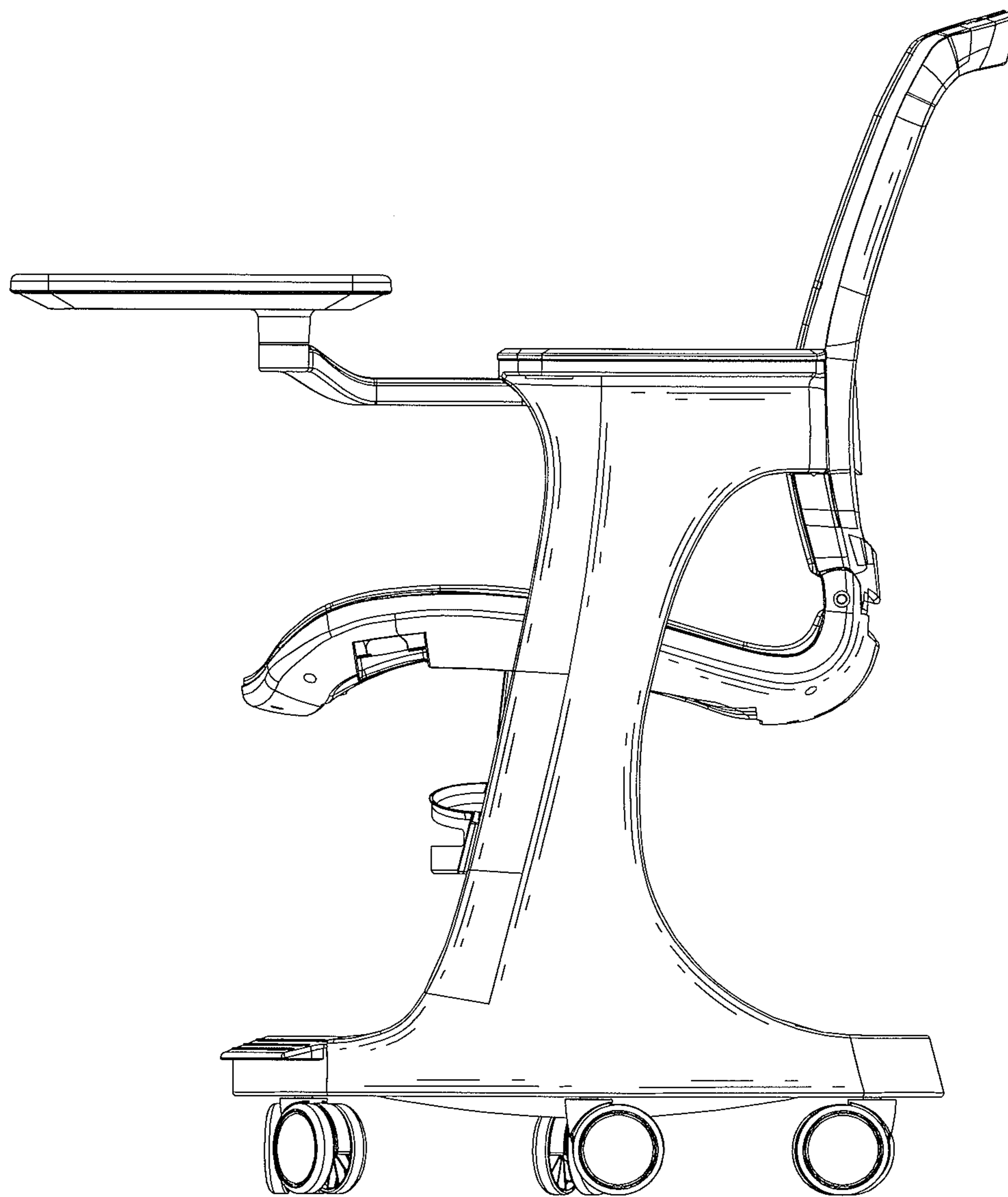


FIG. 5

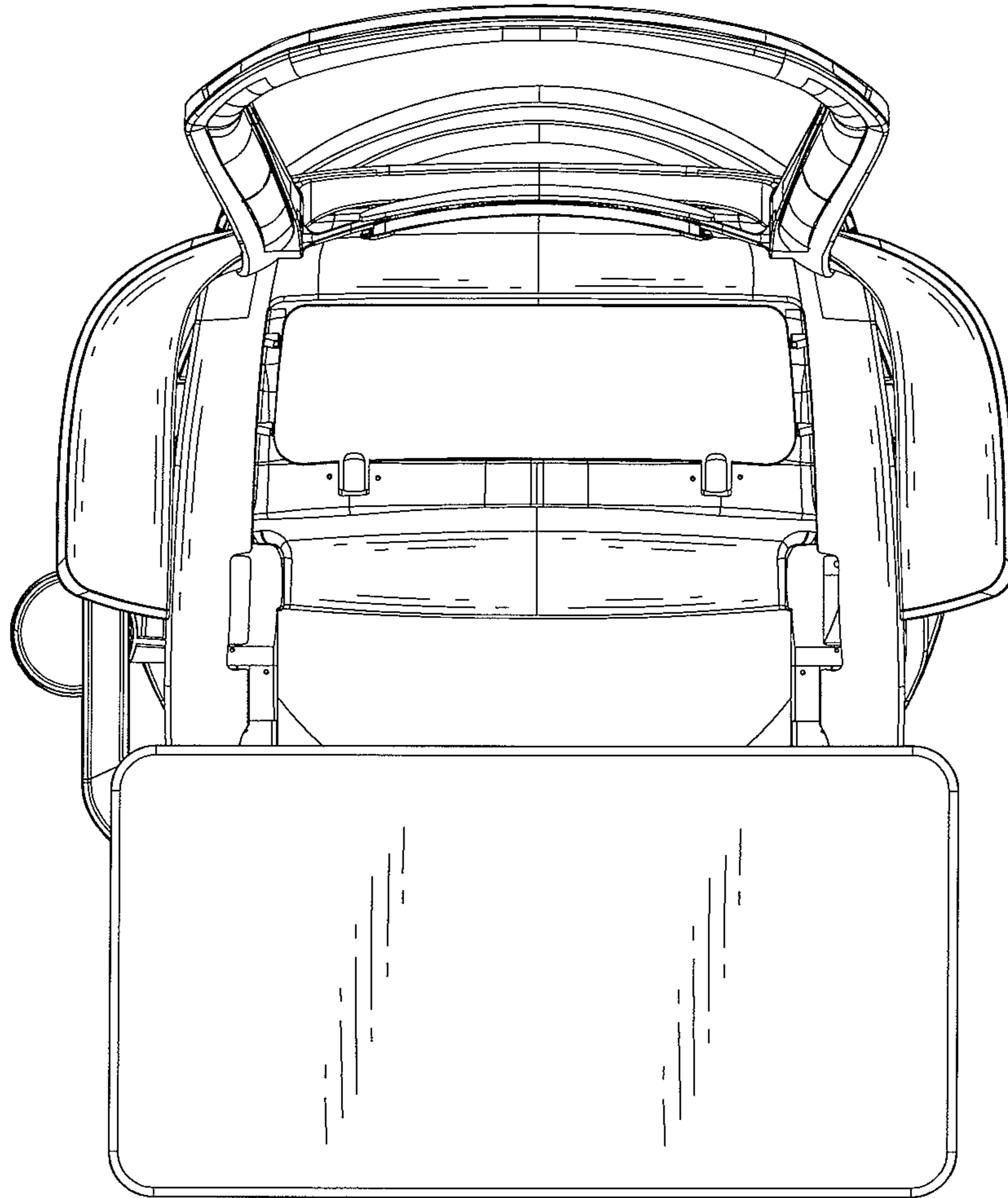


FIG. 6

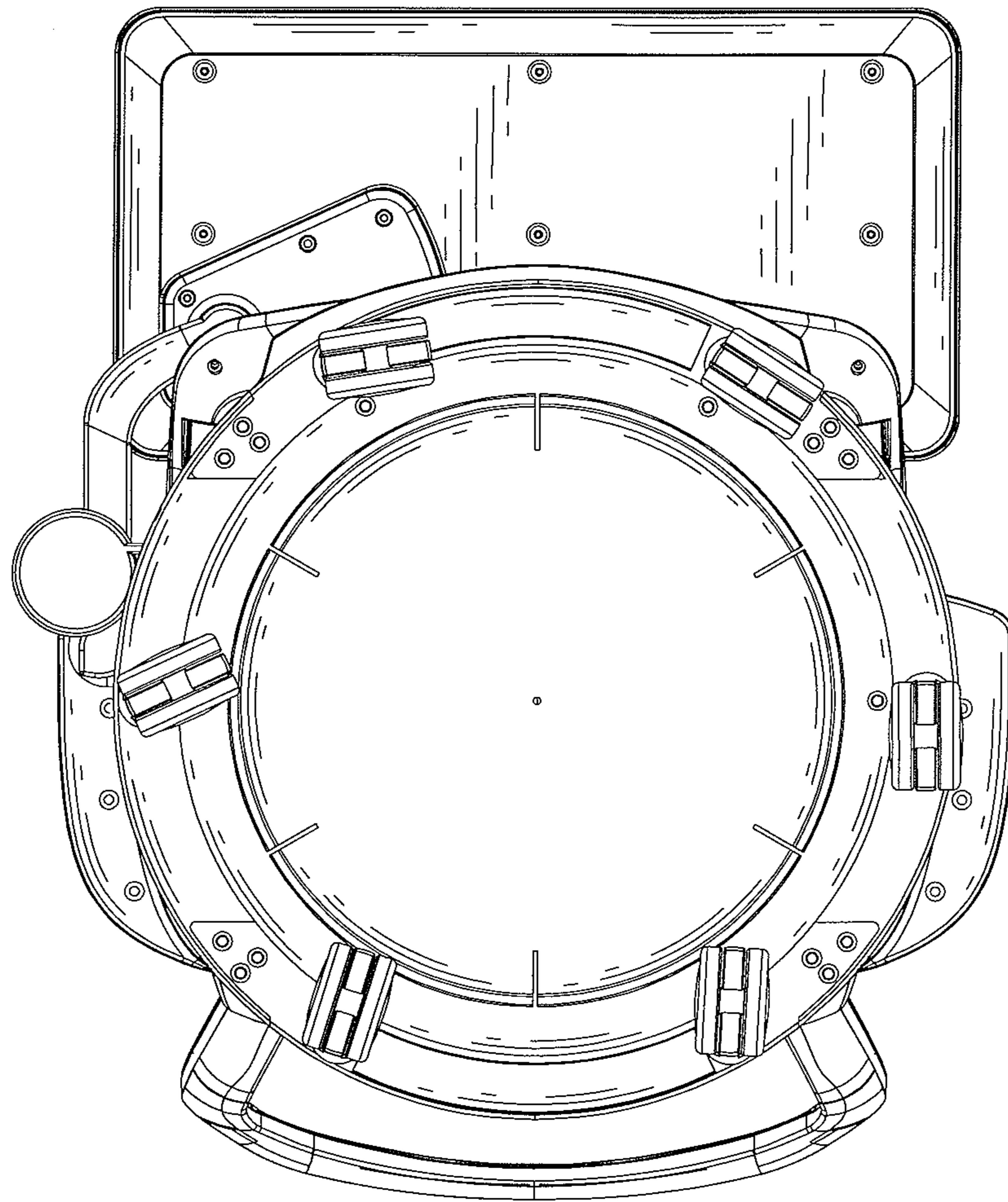


FIG. 7