



US00D697723S

(12) **United States Design Patent**  
**Pirayesh et al.**

(10) **Patent No.:** **US D697,723 S**  
(45) **Date of Patent:** **\*\* Jan. 21, 2014**

(54) **ART DISPLAY REINFORCING MEMBER**

2,851,208 A 9/1958 Samsing  
3,053,001 A 9/1962 Allen  
3,214,855 A 11/1965 Winkler et al.

(71) Applicant: **Hewlett-Packard Development Company, L.P.**, Fort Collins, CO (US)

(Continued)

(72) Inventors: **Francois K. Pirayesh**, San Diego, CA (US); **Xiaoqi Zhou**, San Diego, CA (US)

FOREIGN PATENT DOCUMENTS

(73) Assignee: **Hewlett-Packard Development Company, L.P.**, Houston, TX (US)

DE 3701293 4/1988  
GB 589621 6/1947

(Continued)

(\*\*) Term: **14 Years**

OTHER PUBLICATIONS

(21) Appl. No.: **29/446,661**

Yang, H., "Fundamentals, Preparation, and Characterization of Superhydrophobic Wood Fiber Products", Thesis, 2008, Georgia Institute of Technology, 95 pages.

(22) Filed: **Feb. 26, 2013**

*Primary Examiner* — Cathron Brooks  
*Assistant Examiner* — Sydney R Buffalow

**Related U.S. Application Data**

(62) Division of application No. 29/409,238, filed on Dec. 21, 2011.

(57) **CLAIM**

The ornamental design for an art display reinforcing member, as shown and described.

(51) **LOC (10) Cl.** ..... **06-07**

**DESCRIPTION**

(52) **U.S. Cl.**  
USPC ..... **D6/300**

(58) **Field of Classification Search**  
USPC ..... D6/300-314, 704, 705, 705.2, 706, D6/705.7, 607, 574, 699.5, 719, 707.2; D8/403, 400, 402; D25/136, 119, 121; D20/44; 5/498, 504.1, 505.1, 506.1, 5/507.1; 248/345.1; 312/137; 211/134, 211/135, 153, 90.01

FIG. 1 is an exploded isometric view of an art display reinforcing member;  
FIG. 2 is a top view of the art display reinforcing member of FIG. 1 in position within the art display;  
FIG. 3 is a front view of the art display reinforcing member shown in FIG. 2, which is a mirror image of the back view (not shown);  
FIG. 4 is a left side view of the art display reinforcing member shown in FIG. 2, which is a mirror image of the right side view (not shown); and,  
FIG. 5 is a bottom view of the art display reinforcing member shown in FIG. 2.

See application file for complete search history.

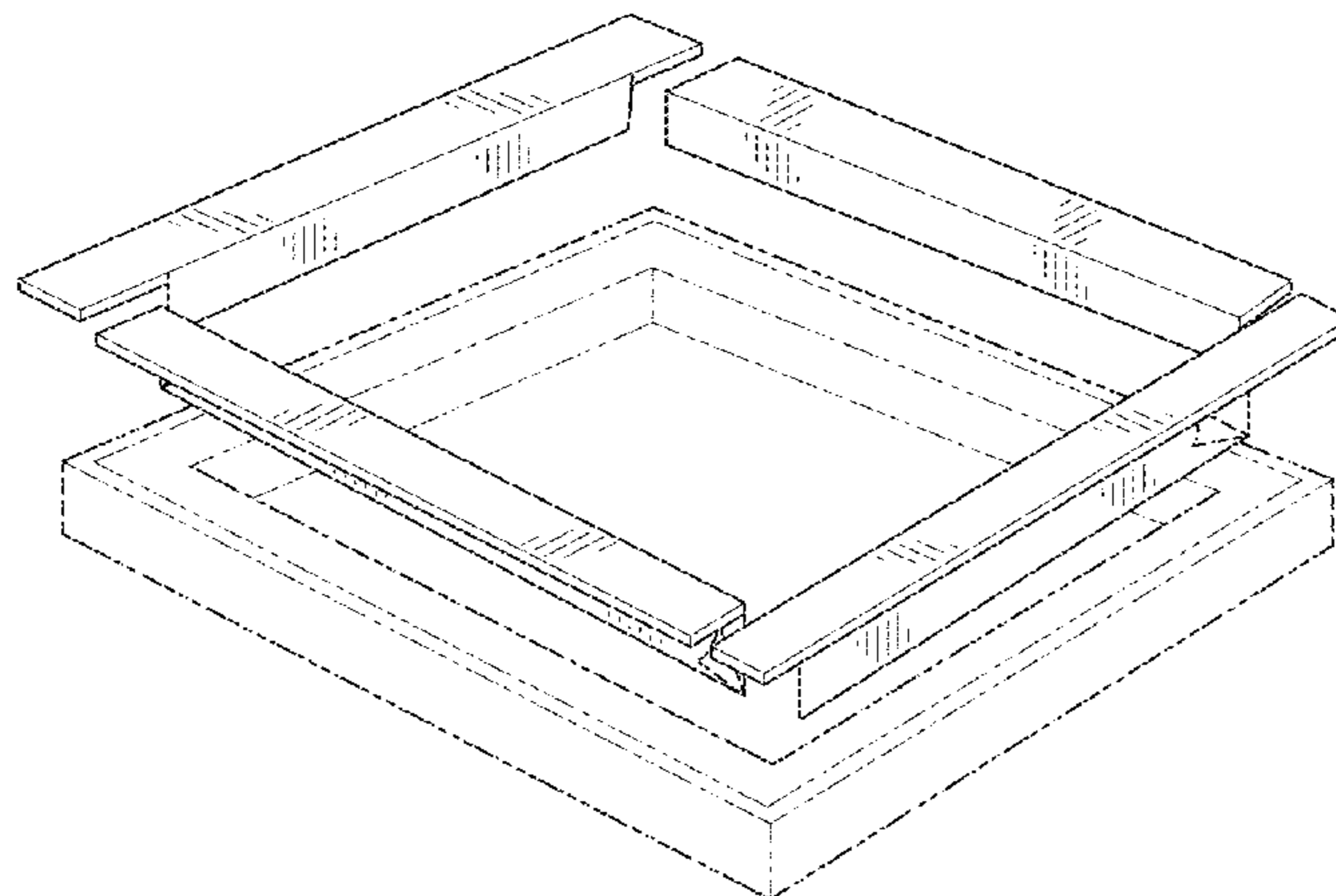
The even-broken lines in FIG. 1 illustrate release liners that are removable from the art display reinforcing member and form no part of the claimed design. The dot-dash-dot lines illustrate an art display that is to receive the art display reinforcing member and form no part of the claimed design.

(56) **References Cited**

**U.S. PATENT DOCUMENTS**

2,085,097 A 6/1937 Hansen  
2,146,318 A 2/1939 Viscount  
D117,893 S \* 12/1939 Bonnett ..... D25/121  
22,683 A 10/1945 Piper  
D143,728 S \* 2/1946 Hall ..... D6/509

**1 Claim, 2 Drawing Sheets**



(56)

References Cited

U.S. PATENT DOCUMENTS

3,240,130 A 3/1966 Neff  
 3,733,809 A 5/1973 Reiter et al.  
 4,112,604 A 9/1978 Ott et al.  
 4,279,087 A 7/1981 Crawford  
 4,738,041 A 4/1988 Drucek, Jr.  
 4,870,766 A 10/1989 Topping  
 D306,670 S \* 3/1990 Pfleuger et al. .... D6/511  
 D311,657 S \* 10/1990 Pate ..... D6/574  
 5,032,436 A 7/1991 Gustafson  
 5,255,458 A 10/1993 Piel  
 D344,423 S \* 2/1994 Pate ..... D6/511  
 5,359,794 A 11/1994 Wood  
 5,513,455 A 5/1996 Walker  
 5,678,339 A 10/1997 Marventano  
 5,679,145 A 10/1997 Andersen et al.  
 5,683,772 A 11/1997 Andersen et al.  
 D402,836 S \* 12/1998 Waddell ..... D6/509  
 5,947,437 A 9/1999 Tate et al.  
 5,950,341 A 9/1999 Cross  
 5,974,714 A 11/1999 Jones  
 6,177,516 B1 1/2001 Hudak  
 6,265,037 B1 7/2001 Godavarti et al.  
 6,427,371 B2 8/2002 Olson et al.  
 6,475,713 B1 11/2002 Aylward et al.  
 6,541,852 B2 4/2003 Beroz et al.  
 6,649,245 B2 11/2003 Lenderink  
 D504,160 S \* 4/2005 Abramson ..... D20/44  
 6,883,908 B2 4/2005 Young et al.  
 D507,131 S \* 7/2005 Pingel ..... D6/491

D507,173 S \* 7/2005 Cairns ..... D8/376  
 D585,680 S \* 2/2009 Liss et al. .... D6/509  
 D593,783 S \* 6/2009 Golias et al. .... D6/511  
 7,818,904 B2 10/2010 Wagner  
 D629,215 S \* 12/2010 Burkman ..... D6/300  
 7,851,391 B2 12/2010 Bond et al.  
 D635,847 S \* 4/2011 Olsson et al. .... D8/403  
 7,918,047 B1 4/2011 Ngan  
 D637,858 S \* 5/2011 Overstreet et al. .... D6/607  
 D638,142 S \* 5/2011 Van Camp et al. .... D25/119  
 D643,709 S \* 8/2011 Olsson et al. .... D8/403  
 2002/0144445 A1 10/2002 Gomez del Campo Diaz Barrerio  
 2003/0129361 A1 7/2003 Plug et al.  
 2004/0159031 A1 8/2004 Chang  
 2006/0189236 A1 8/2006 Davis et al.  
 2009/0229157 A1 9/2009 Mehler  
 2010/0196603 A1 8/2010 Ohshima et al.  
 2011/0016759 A1 1/2011 Ramos-Gonzalez et al.  
 2011/0088294 A1 4/2011 Docking

FOREIGN PATENT DOCUMENTS

GB 726212 3/1955  
 GB 1040995 9/1966  
 GB 1439323 6/1976  
 GB 2104378 3/1983  
 GB 2220854 1/1990  
 GB 2296866 7/1996  
 GB 2376916 12/2002  
 GB 2461863 1/2010

\* cited by examiner

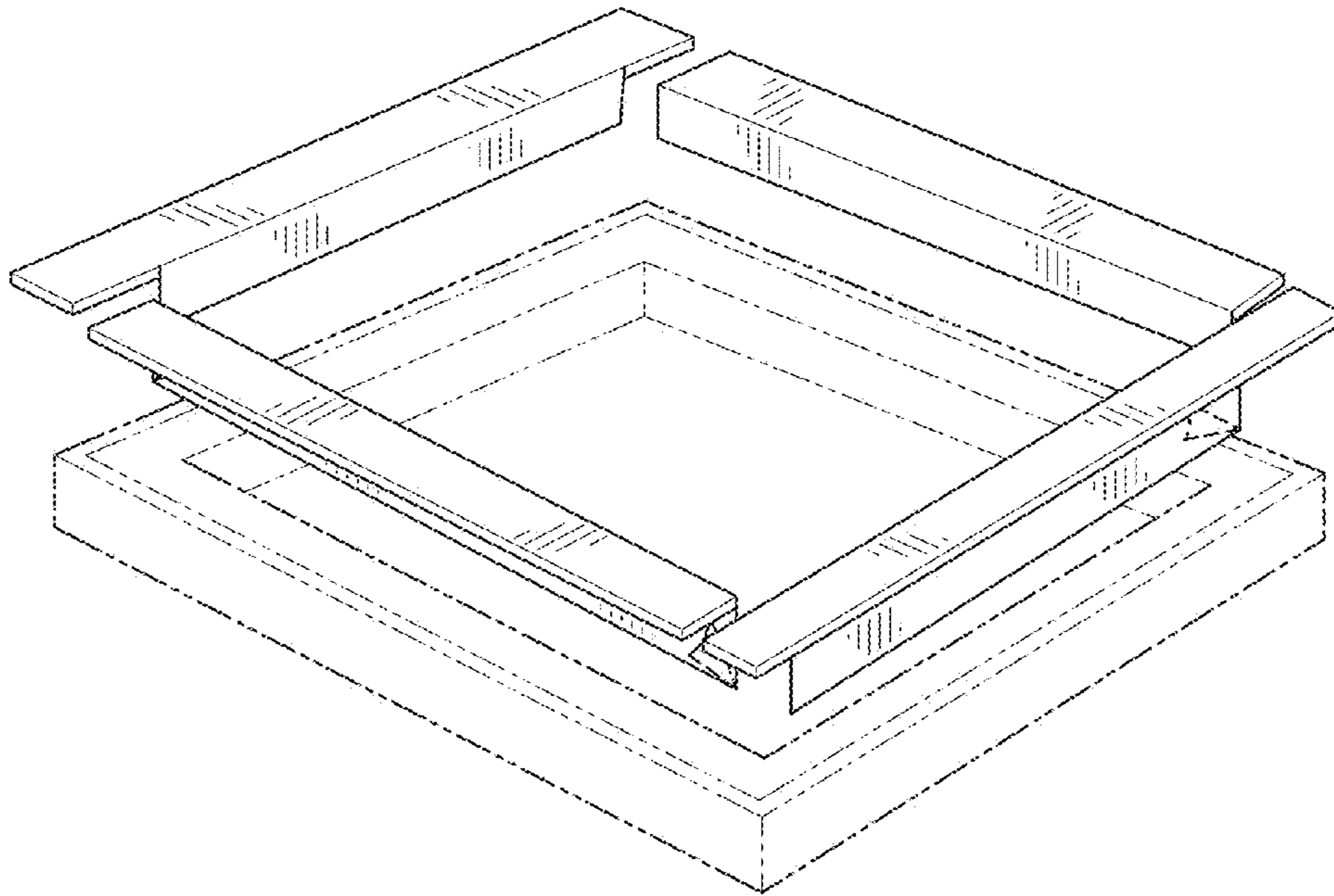


FIG. 1

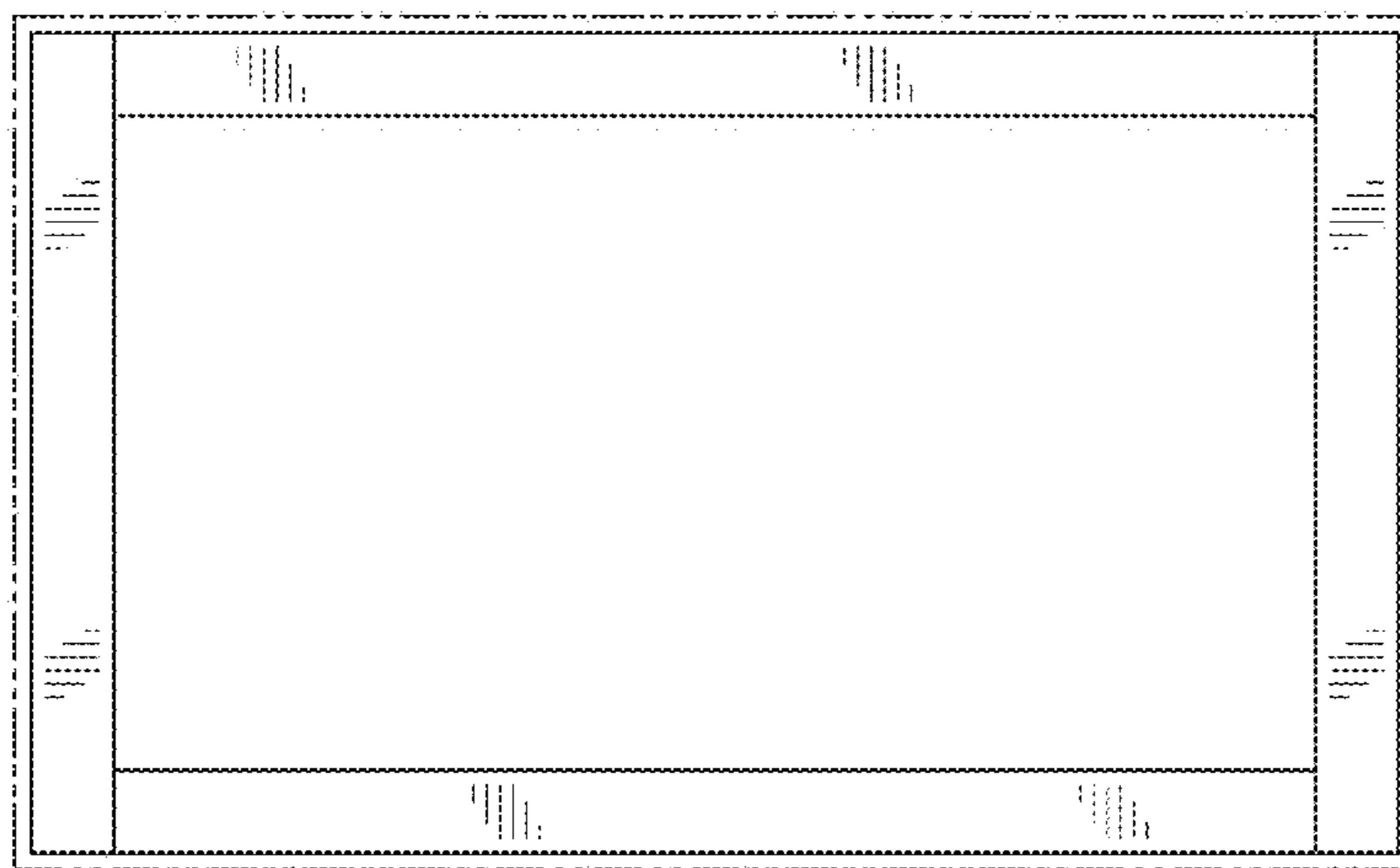


FIG. 2



FIG. 3



FIG. 4

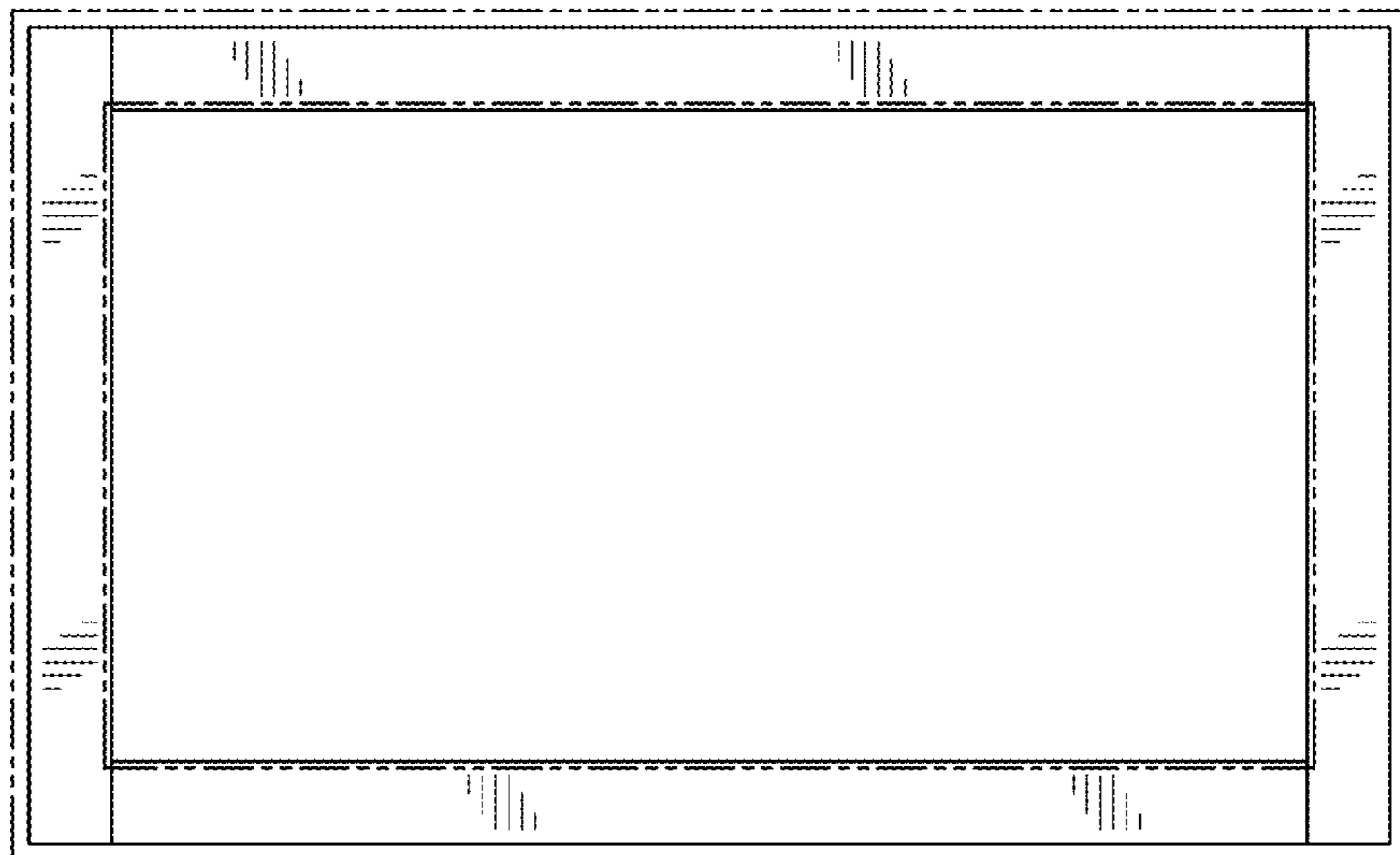


FIG. 5