



US00D697718S

(12) **United States Design Patent**
Chun

(10) **Patent No.:** **US D697,718 S**
(45) **Date of Patent:** **** Jan. 21, 2014**

(54) **PORTABLE EARPHONE HOLDER**

D662,087 S * 6/2012 Peller D14/223

(71) Applicant: **James K Chun**, Fremont, CA (US)

* cited by examiner

(72) Inventor: **James K Chun**, Fremont, CA (US)

Primary Examiner — Holly Baynham

(**) Term: **14 Years**

(74) *Attorney, Agent, or Firm* — Dean A. Craine

(21) Appl. No.: **29/437,233**

(57) **CLAIM**

The ornamental design for a portable earphone holder.

(22) Filed: **Nov. 14, 2012**

DESCRIPTION

(51) **LOC (10) Cl.** **03-01**

(52) **U.S. Cl.**

USPC **D3/319**

(58) **Field of Classification Search**

USPC D3/319; D14/223, 205; 206/316.1,
206/316.2, 349, 372; 191/12.4; 242/400.1,
242/405.1

See application file for complete search history.

FIG. 1 is a front perspective view of a portable earphone holder shown attached to a rigid storage case and stand shown in an unfolded position.

FIG. 2 is a front perspective view of the portable earphone holder.

FIG. 3 is a top plan view of the invention.

FIG. 4 is a left side elevation view of the invention;

FIG. 5 is a bottom plan view of the invention.

FIG. 6 is front elevational view of the invention.

FIG. 7 is a rear elevational view of the invention; and,

FIG. 8 is a right side elevational view of the invention.

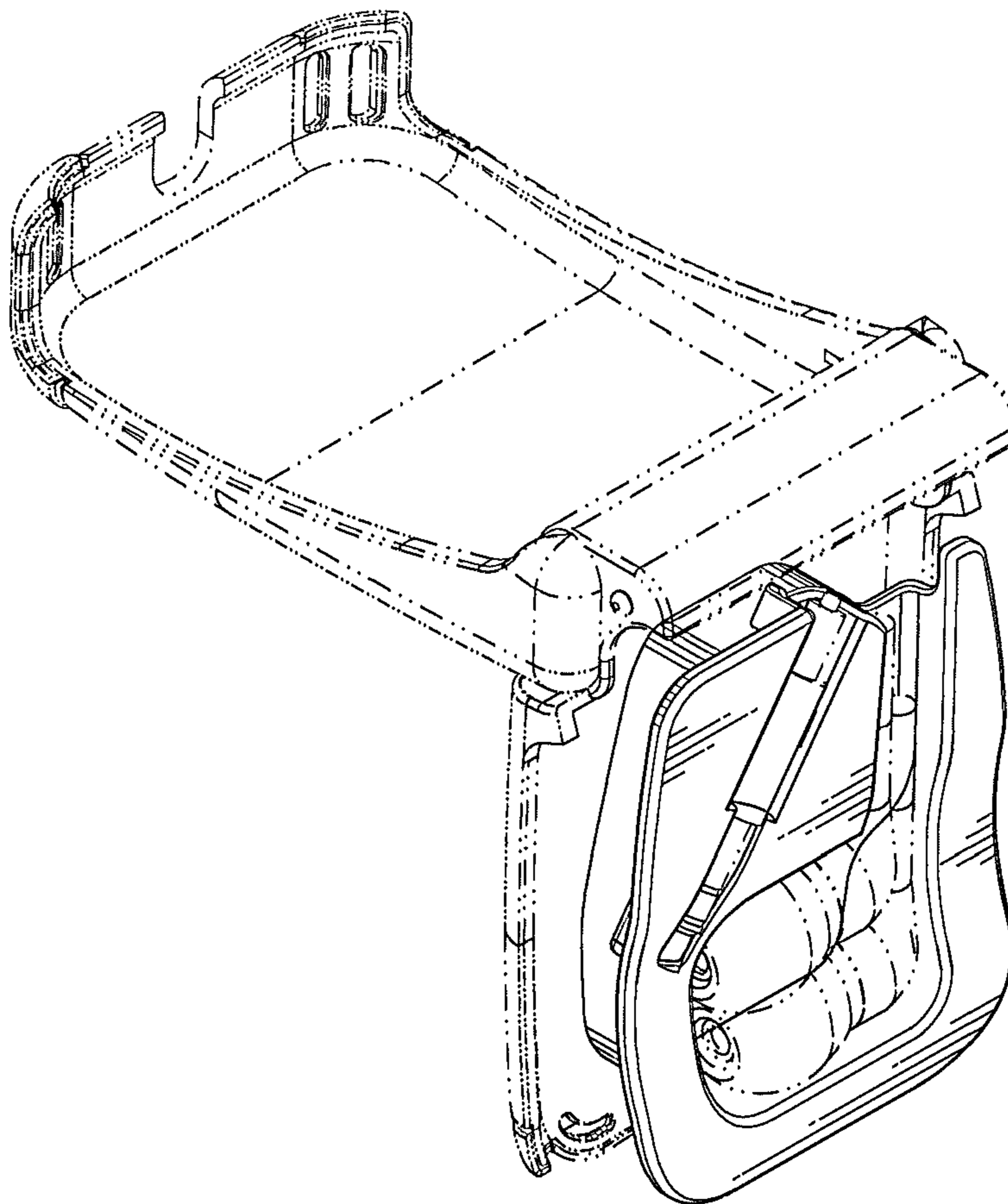
The broken lines showing a storage case and a pair of ear buds are for the purposes of illustrating environment and form no part of the claimed design.

(56) **References Cited**

U.S. PATENT DOCUMENTS

D435,731 S *	1/2001	Kimura	D3/319
D521,735 S *	5/2006	Tagliati	D3/319
D620,781 S *	8/2010	Weckworth	D8/356
D638,398 S *	5/2011	Morison	D14/205

1 Claim, 2 Drawing Sheets



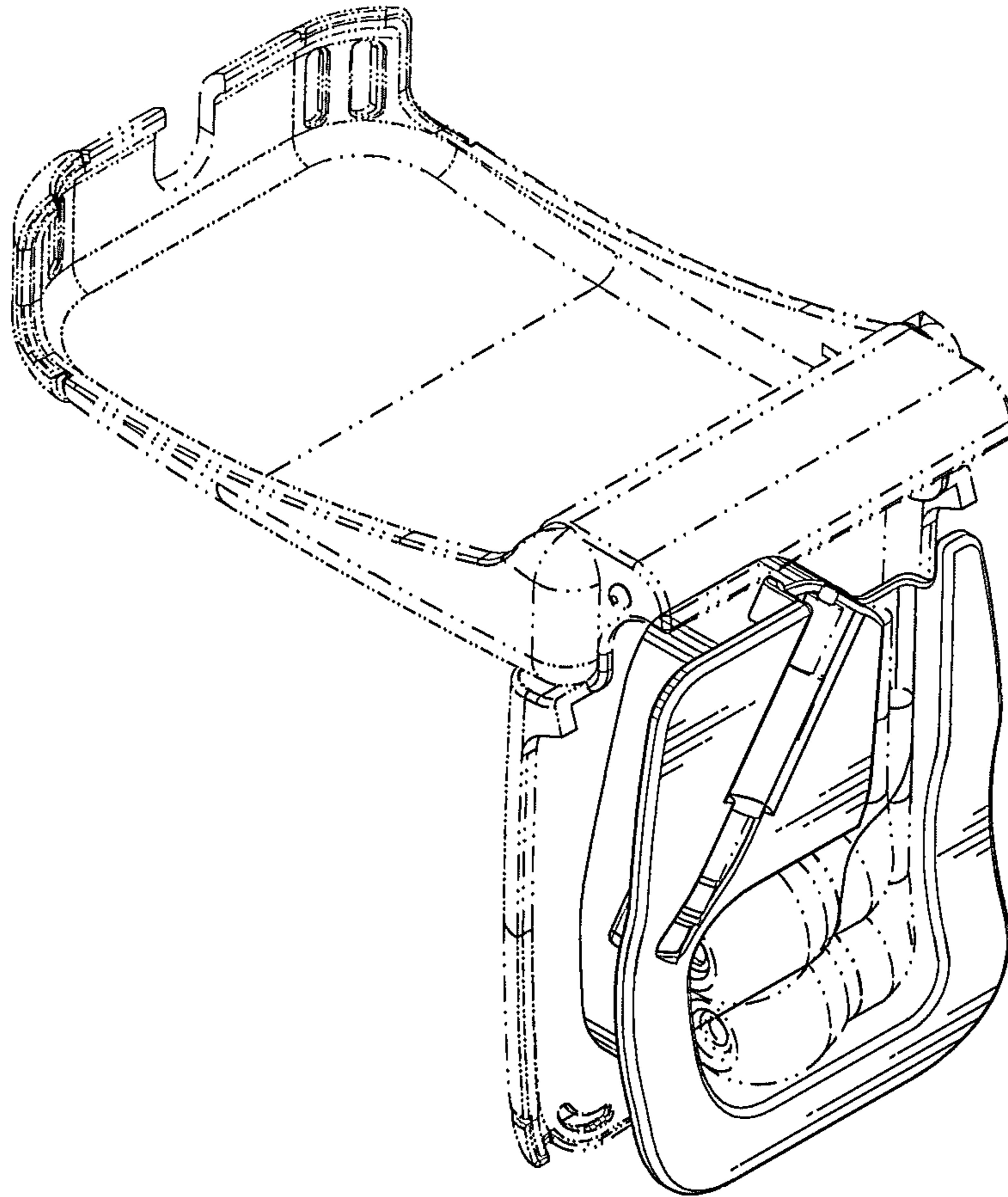


Fig. 1

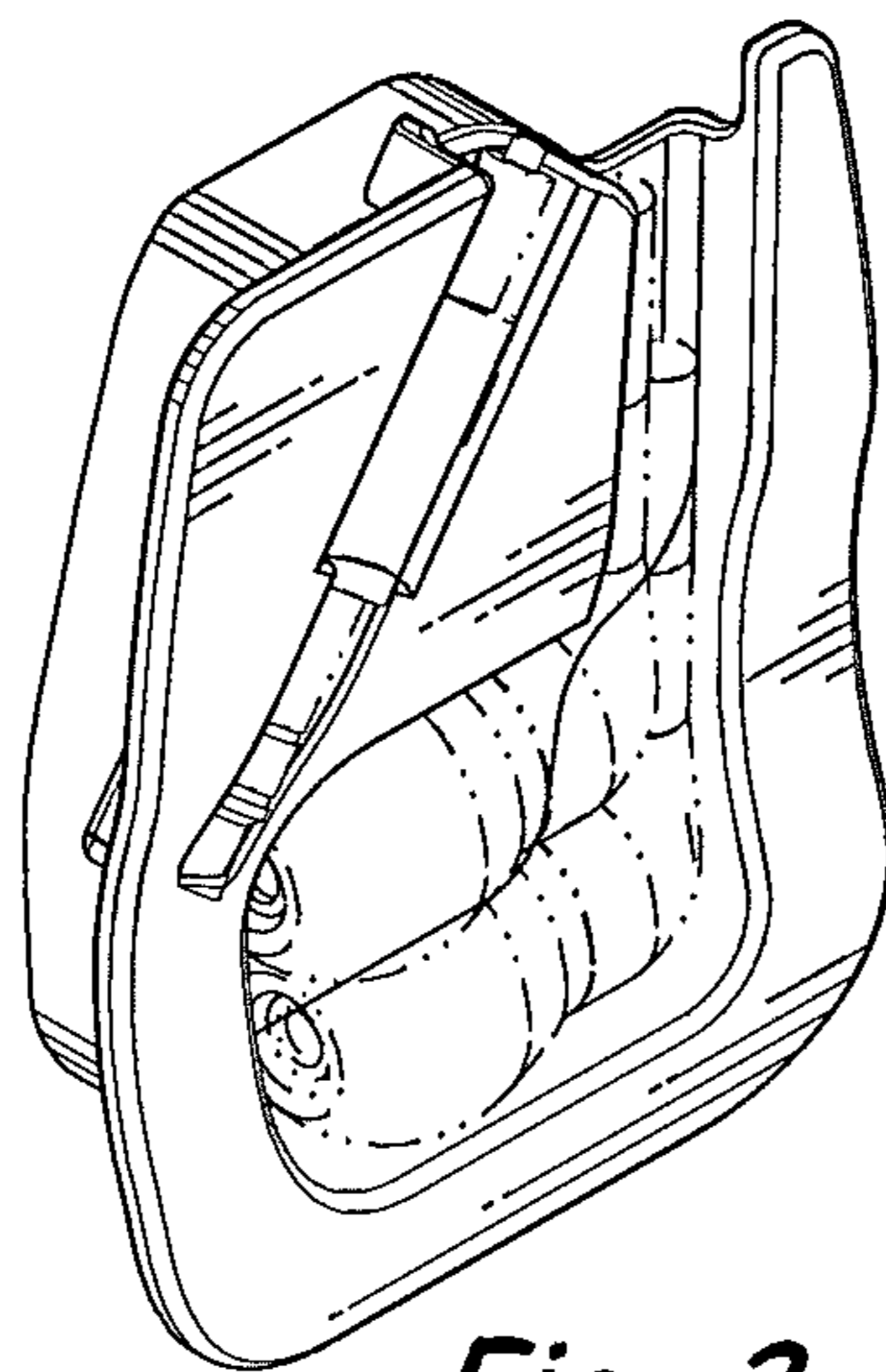


Fig. 2

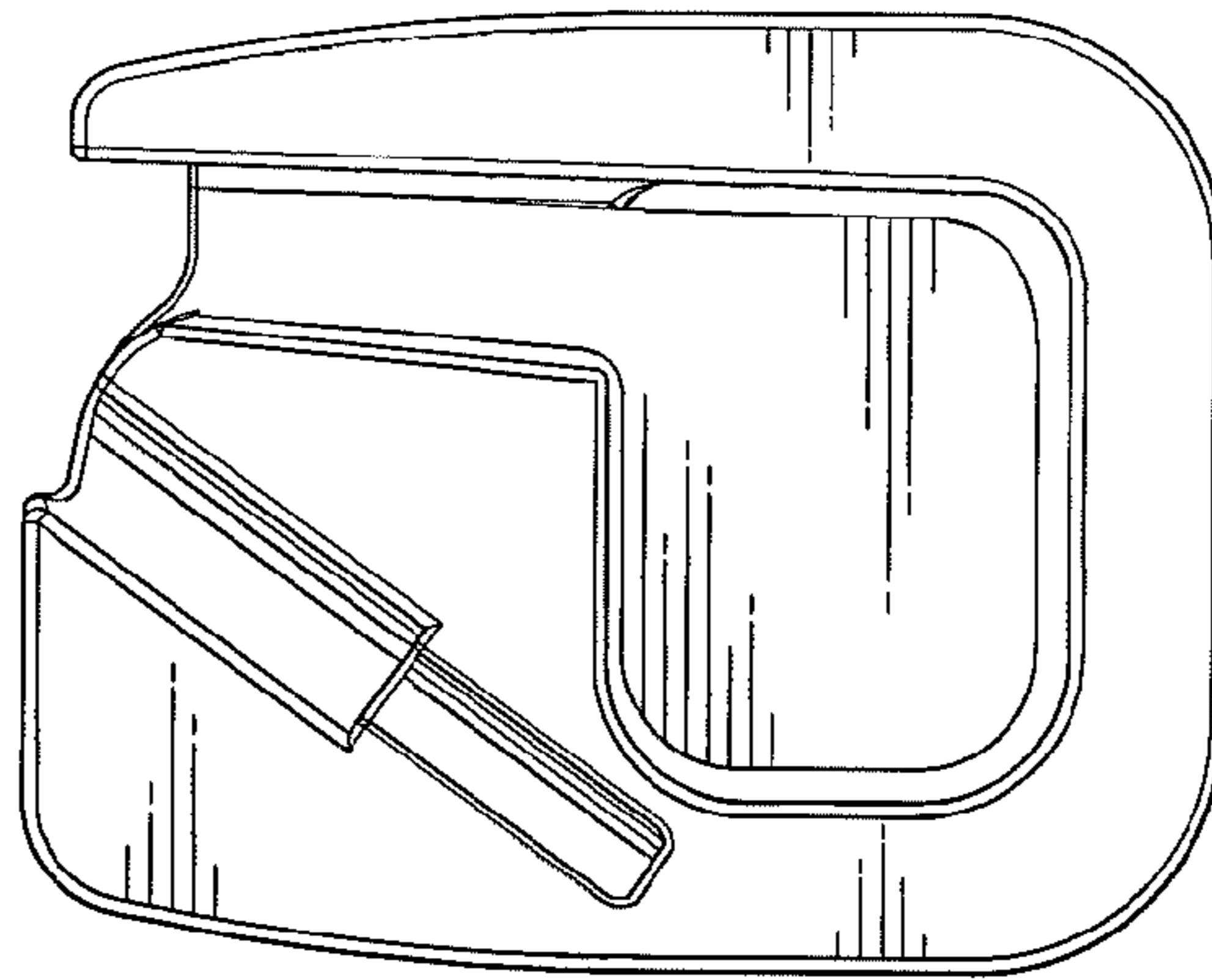


Fig. 3

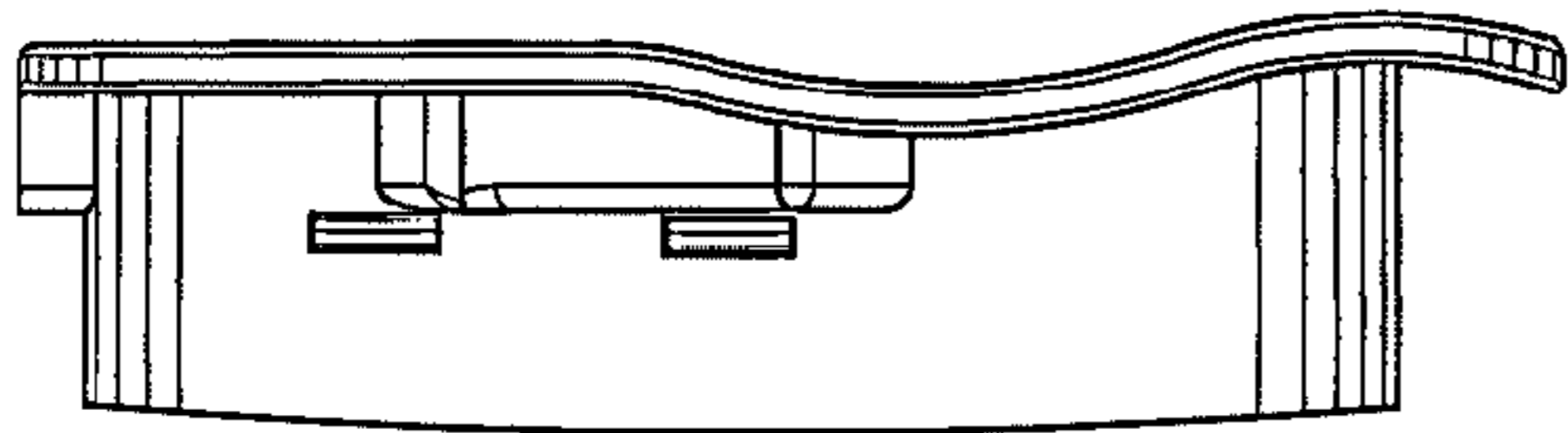


Fig. 4

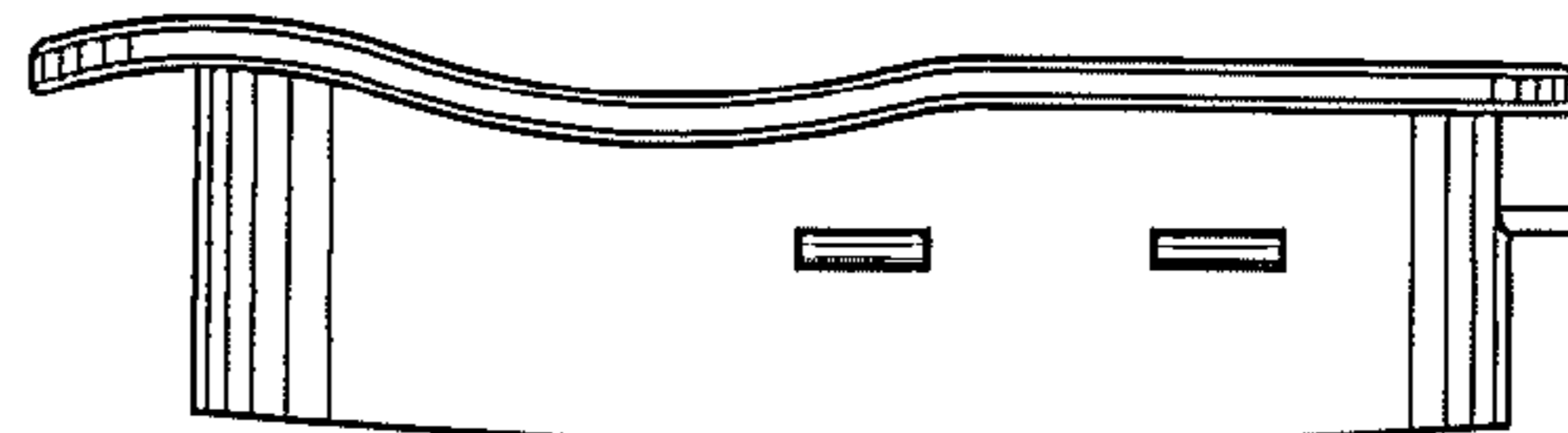


Fig. 5

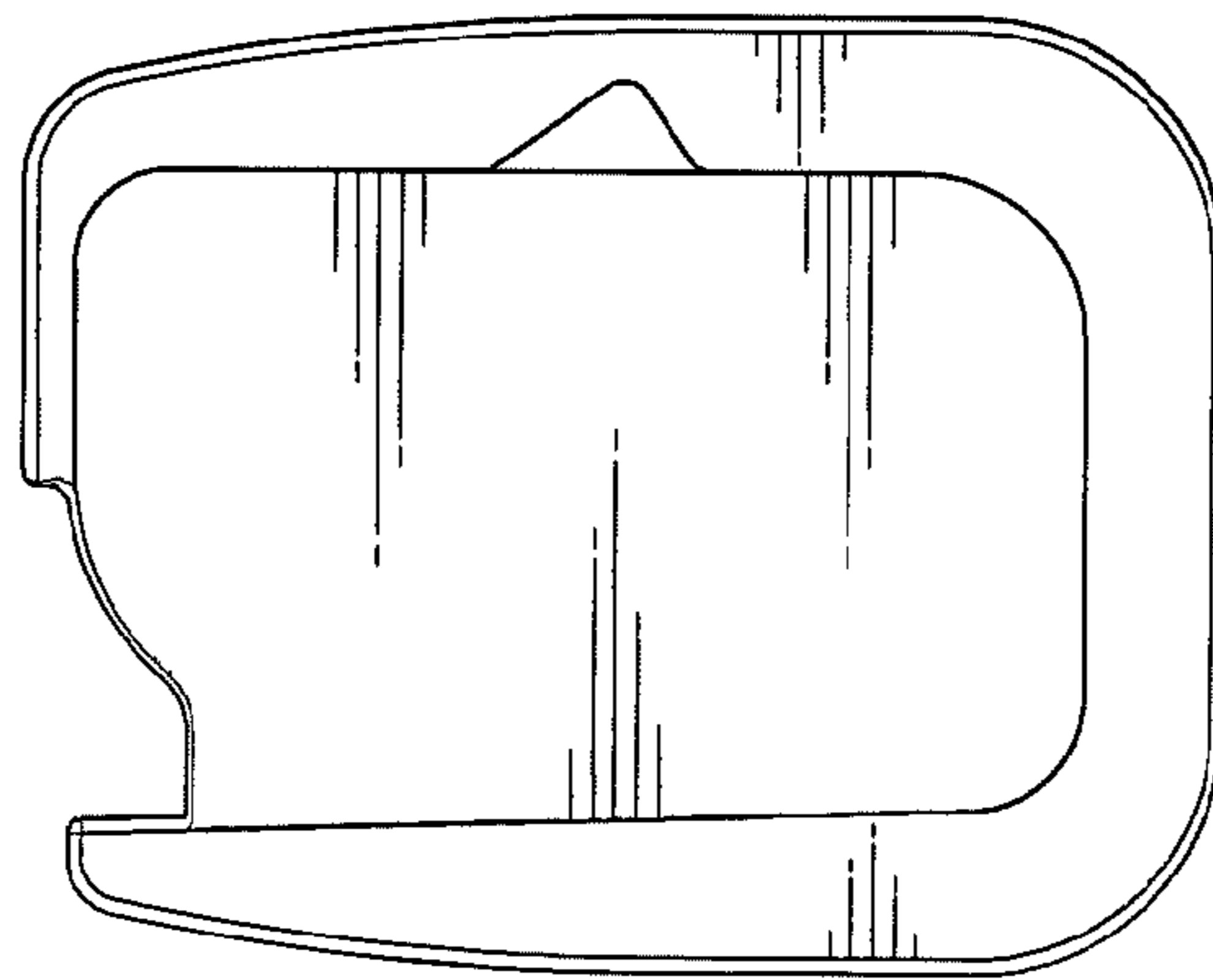


Fig. 6

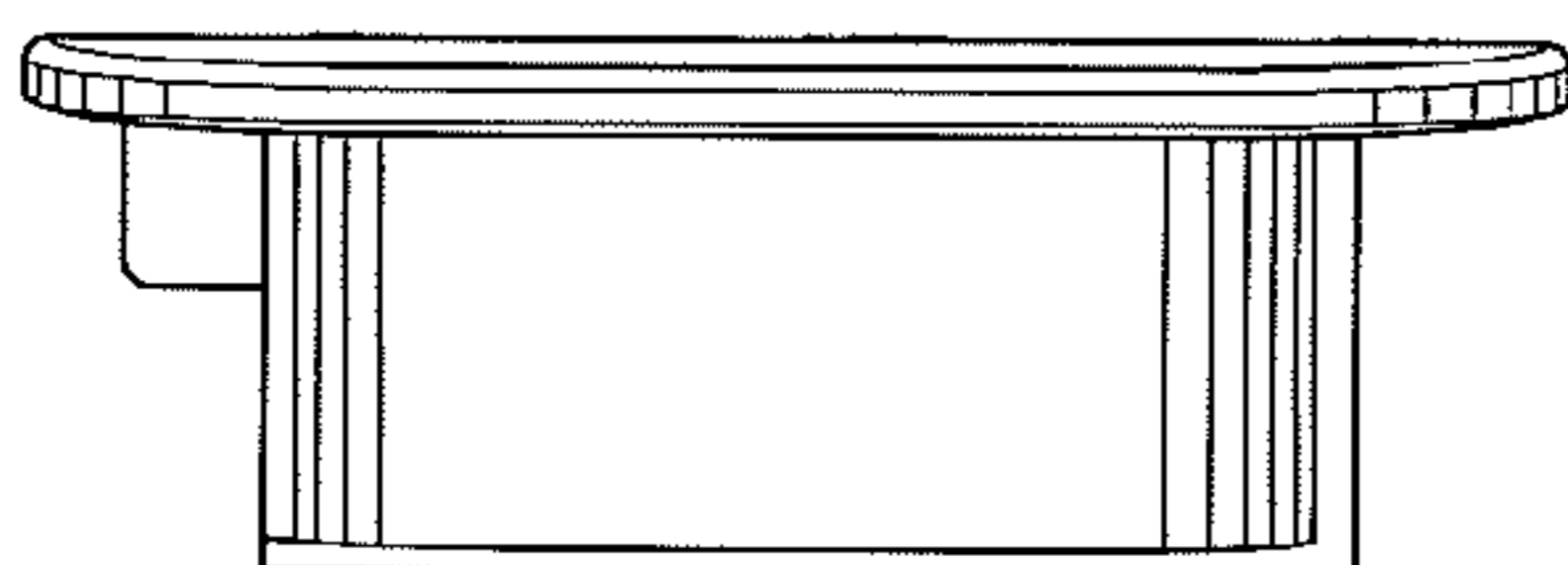


Fig. 7

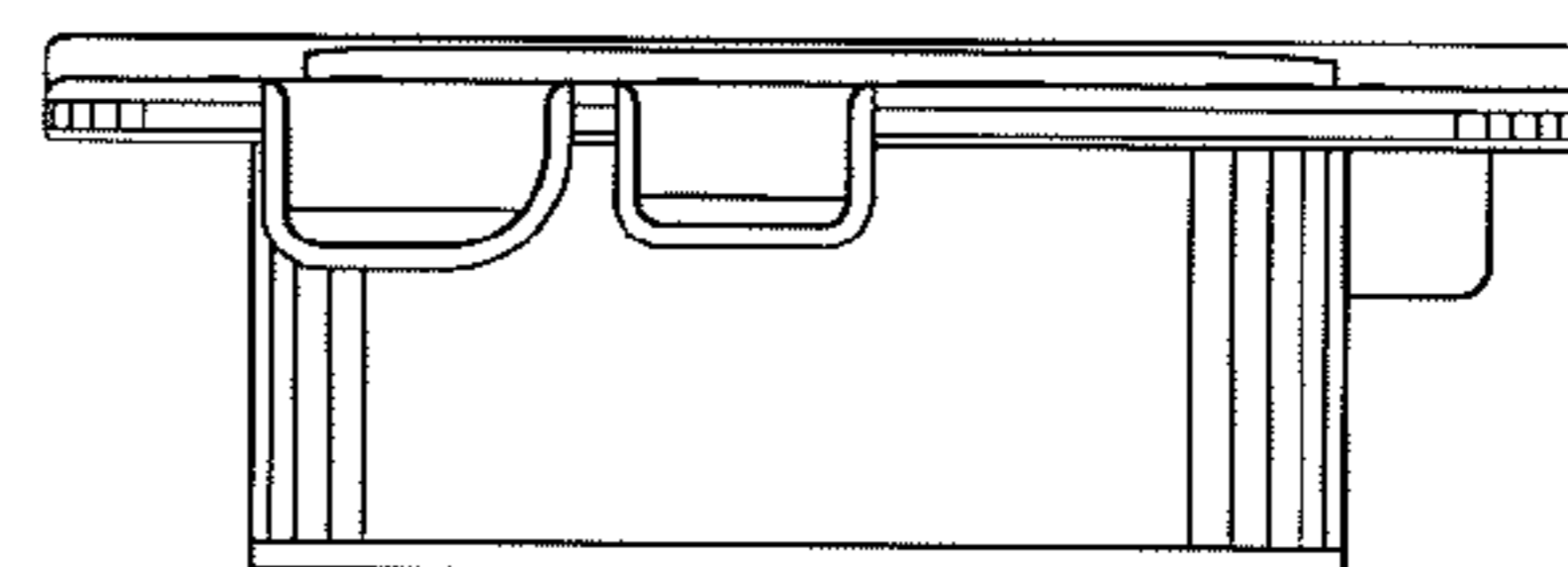


Fig. 8