



US00D697715S

(12) **United States Design Patent**
Dietrich

(10) **Patent No.:** **US D697,715 S**
(45) **Date of Patent:** **** Jan. 21, 2014**

(54) **CREDIT CARD HOLDER**

(75) Inventor: **Emmanuel Dietrich**, Zug (CH)

(73) Assignees: **Katrin Mengel**, Hamburg (DE);
Thomas Wingerter, Hamburg (DE)

(**) Term: **14 Years**

(21) Appl. No.: **29/424,294**

(22) Filed: **Jun. 11, 2012**

(30) **Foreign Application Priority Data**

Dec. 8, 2011 (EM) 001959644-0001
Dec. 8, 2011 (EM) 001959644-0002

(51) **LOC (10) Cl.** **03-01**

(52) **U.S. Cl.**
USPC **D3/247**

(58) **Field of Classification Search**
USPC D3/247, 249-253, 272, 294; 206/278,
206/215, 555, 1.5, 235, 265
See application file for complete search history.

(56) **References Cited**

U.S. PATENT DOCUMENTS

D187,240 S * 2/1960 Harkins et al. D3/247
D283,950 S * 5/1986 Markowitz D3/247
D510,187 S * 10/2005 Chan D3/247

* cited by examiner

Primary Examiner — Holly Baynham

(74) *Attorney, Agent, or Firm* — Vidas, Arrett & Steinkraus,
P.A.

(57) **CLAIM**

The ornamental design for a credit card holder, as shown.

DESCRIPTION

FIG. 1 is a perspective view from the top and left side of the invention, the credit card holder being shown closed.

FIG. 2 is a top view of the invention, the credit card holder being shown closed.

FIG. 3 is a bottom view of the invention, the credit card holder being shown closed.

FIG. 4 is a front view of the invention, the credit card holder being shown closed.

FIG. 5 is a rear view of the invention, the credit card holder being shown closed.

FIG. 6 is a right view of the invention, the credit card holder being shown closed.

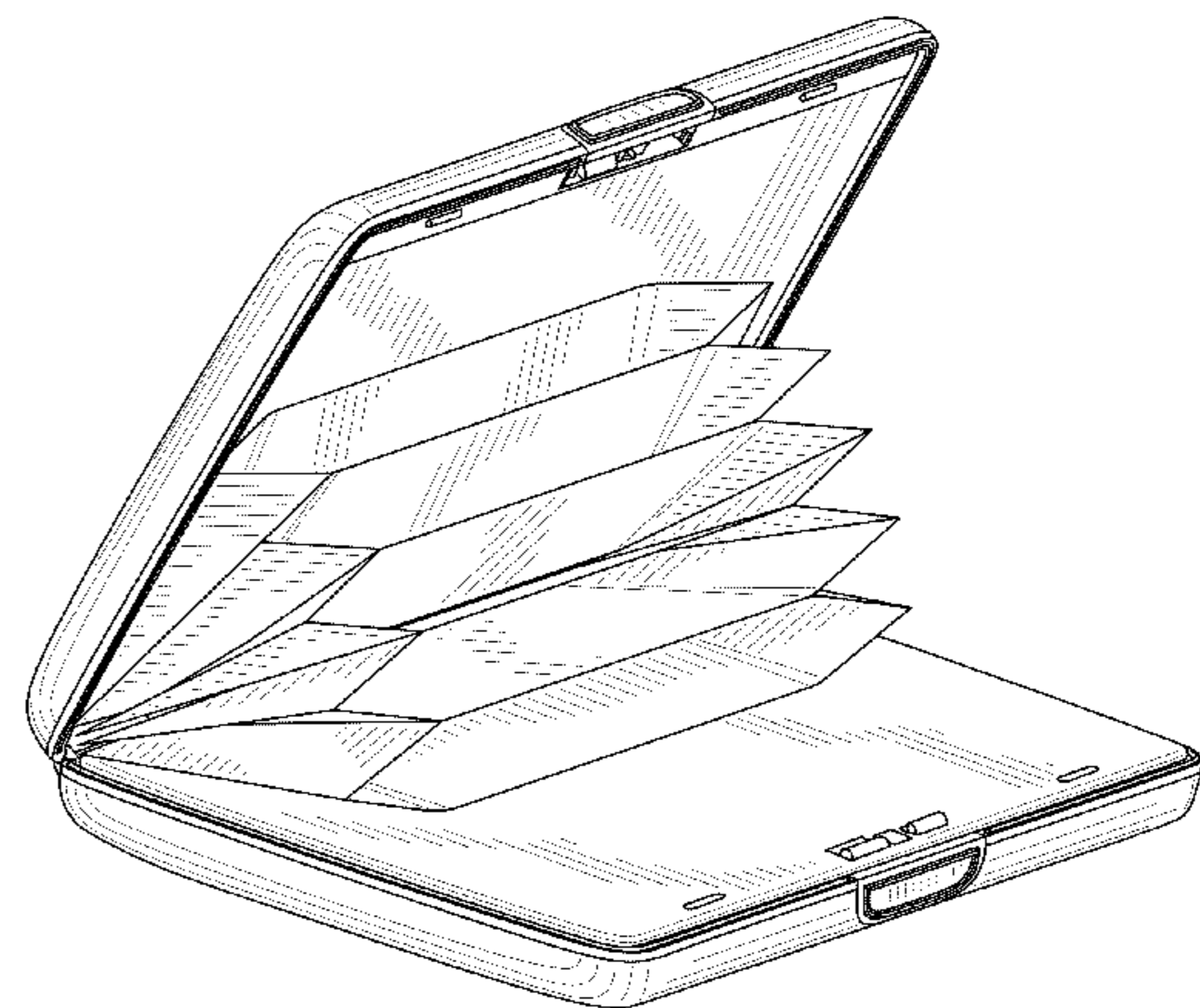
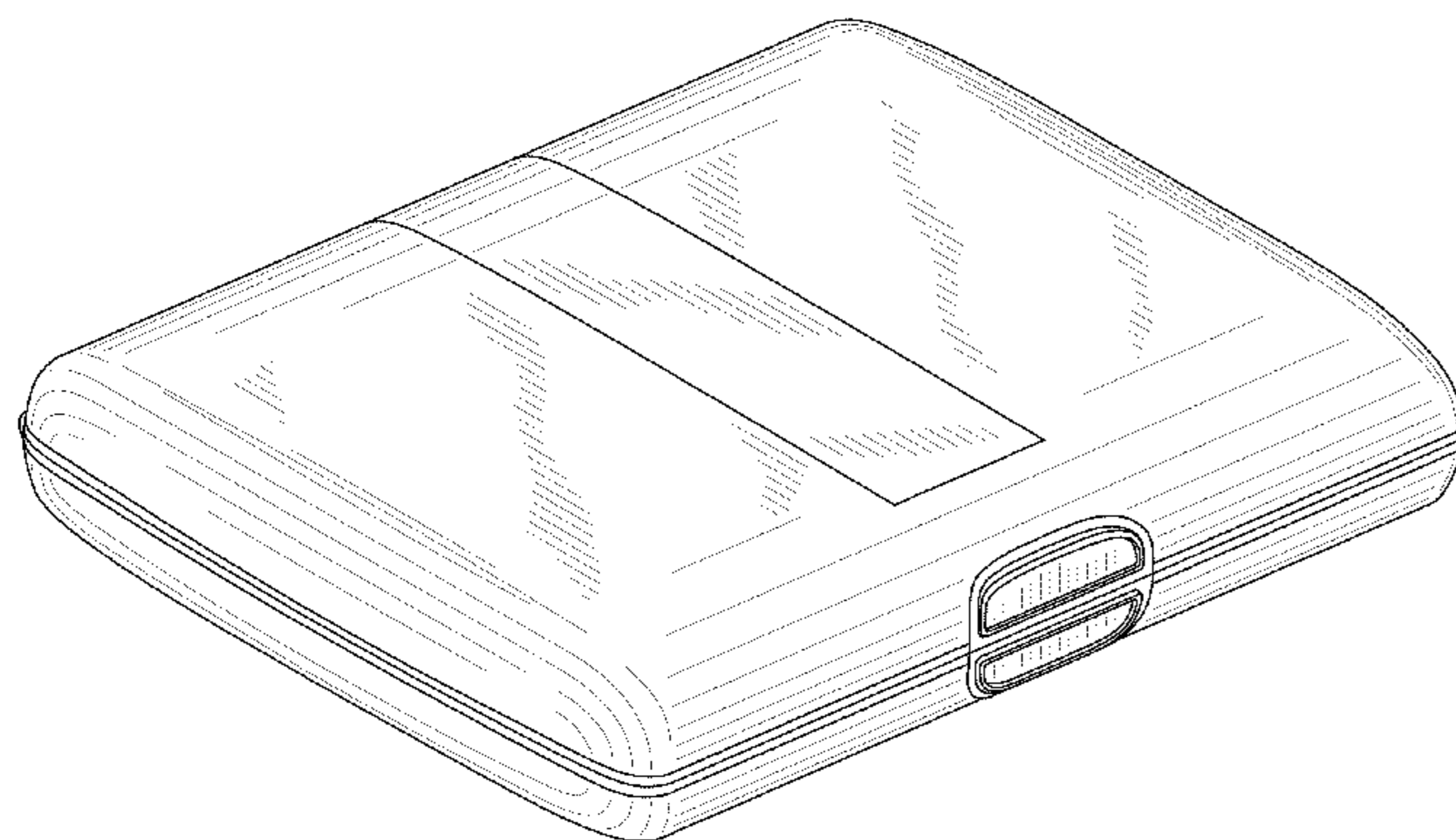
FIG. 7 is a left view of the invention, the credit card holder being shown closed.

FIG. 8 is a perspective view from the top and left side of the invention, the credit card holder being shown open.

FIG. 9 is a perspective view from the top and right side of the invention, the credit card holder being shown open and the bottom panel being shown open; and,

FIG. 10 is a perspective view from the top and right side of the invention, the credit card holder being shown open and the bottom panel being shown open, with the expandable folder shown open.

1 Claim, 7 Drawing Sheets



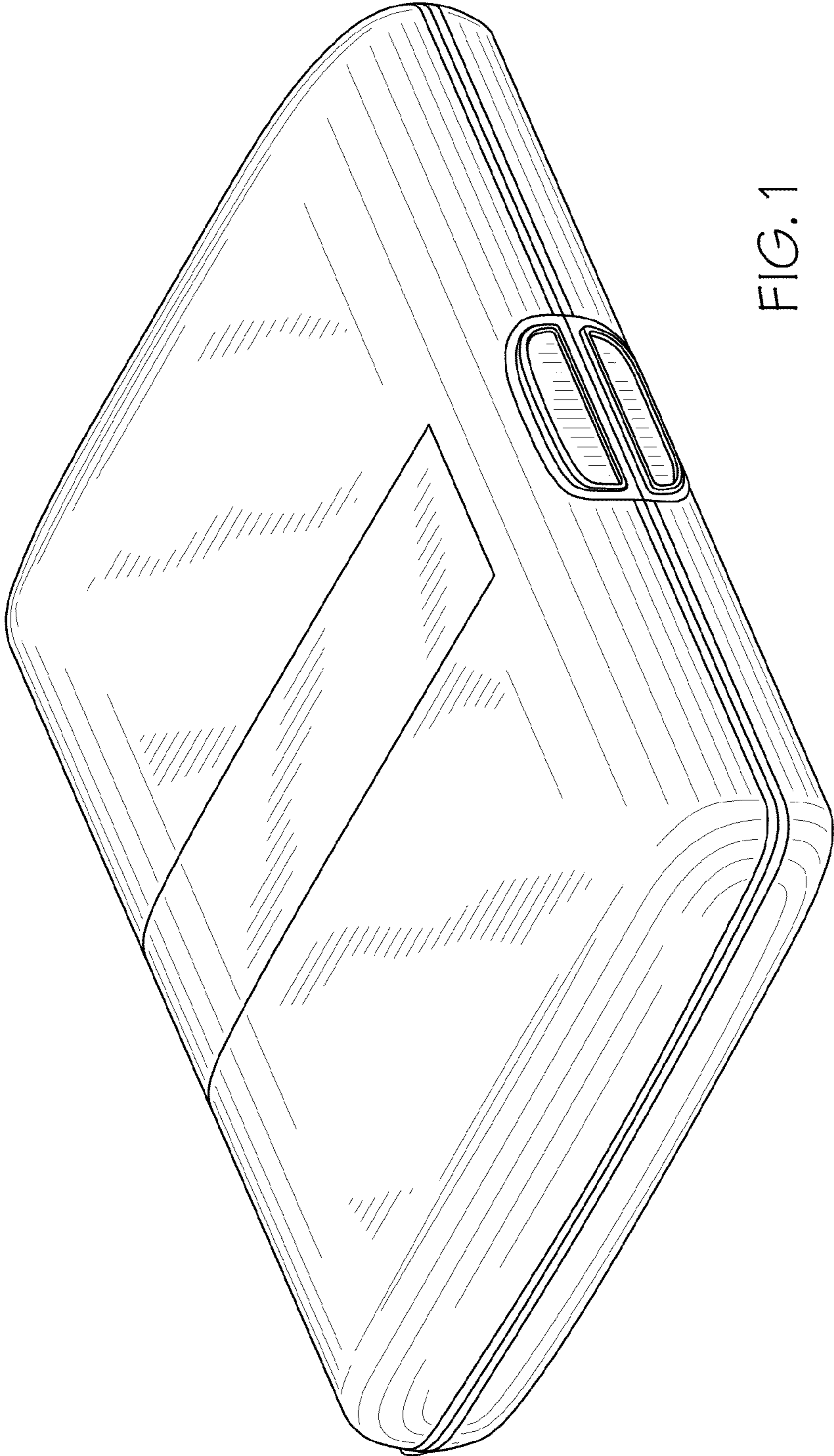


FIG. 1

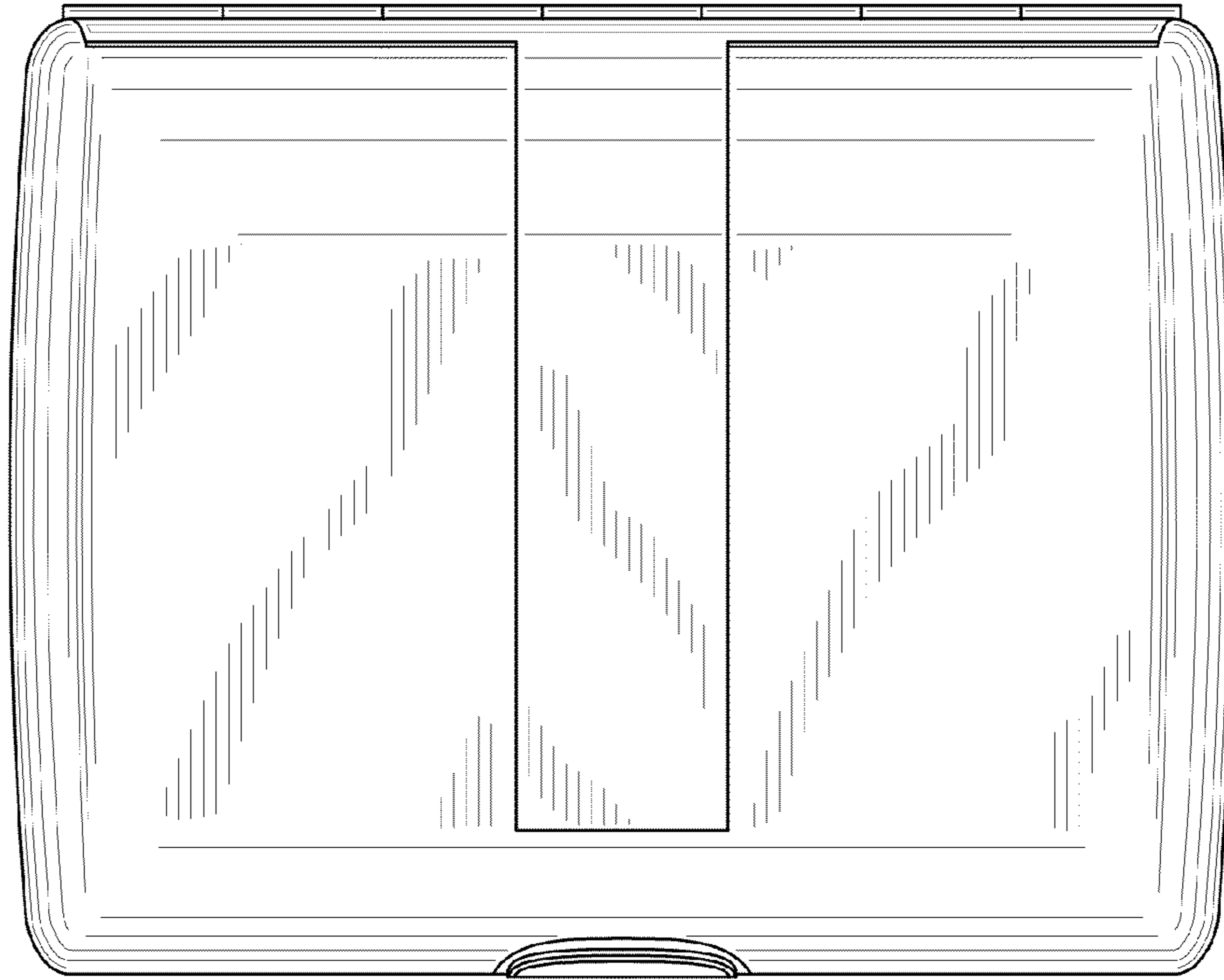


FIG. 2

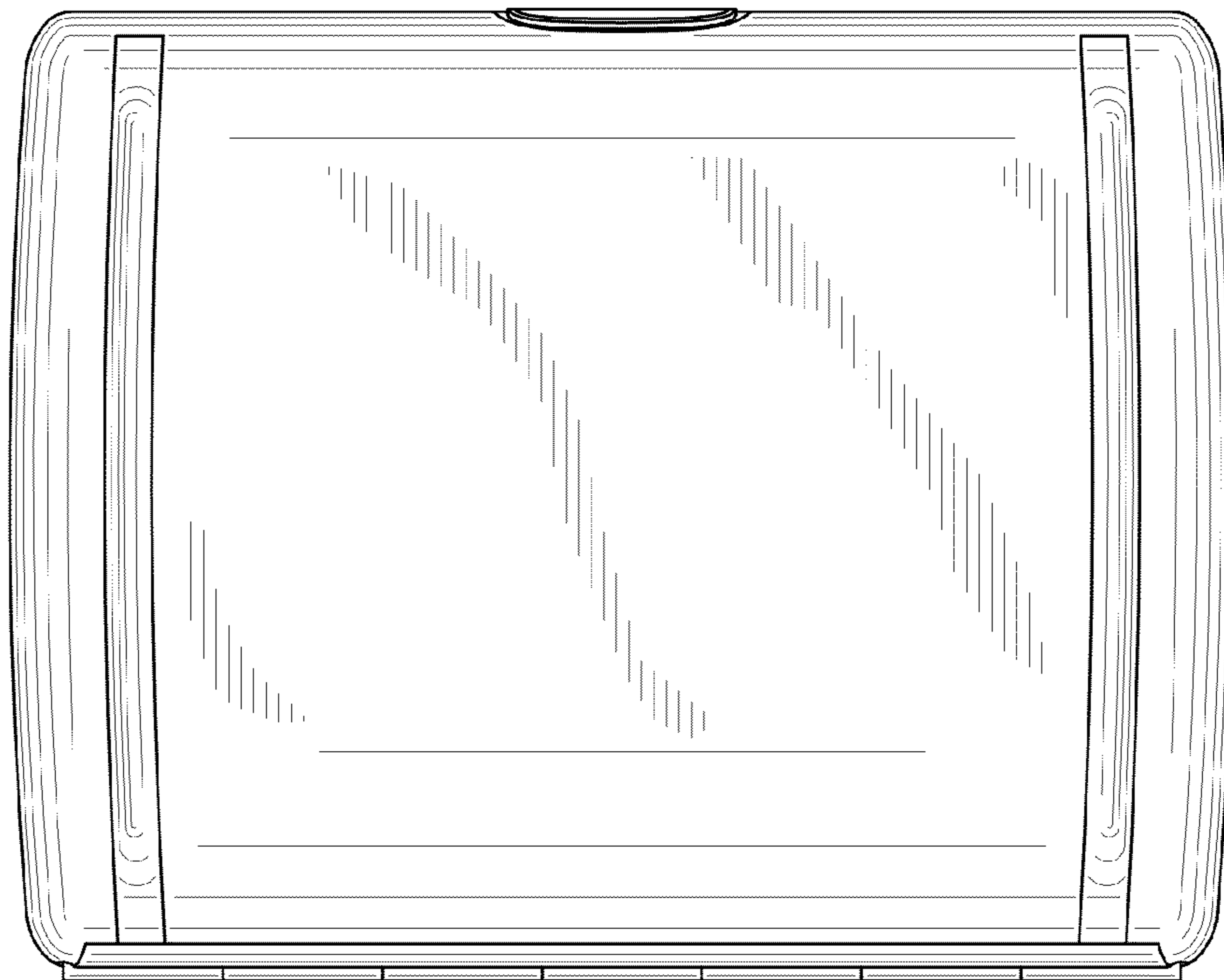


FIG. 3

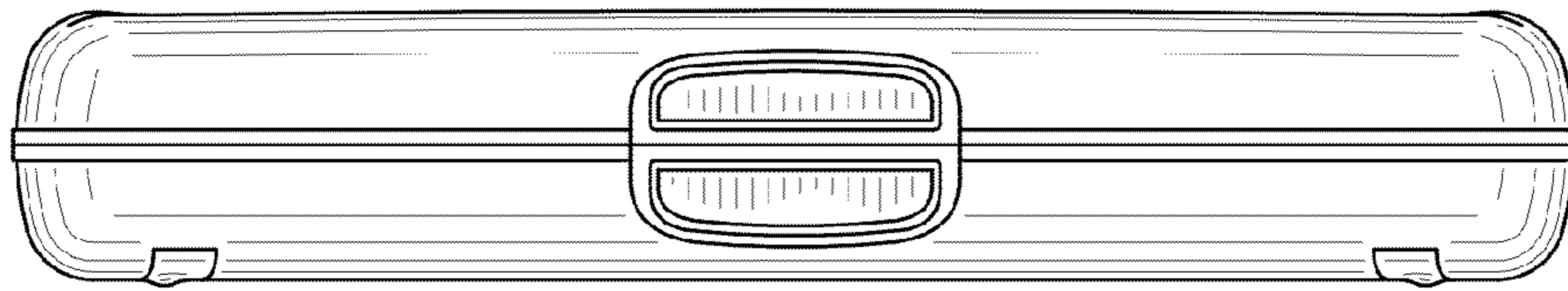


FIG. 4

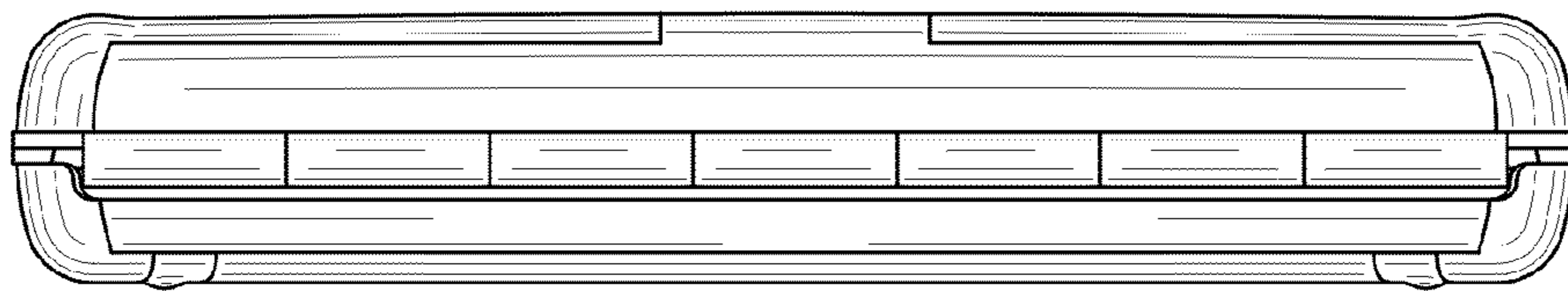


FIG. 5

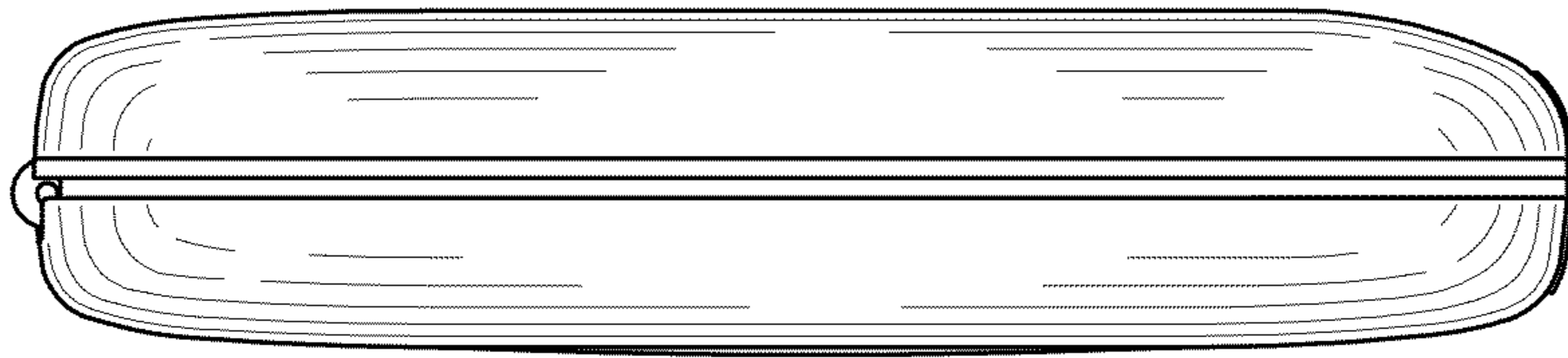


FIG. 6

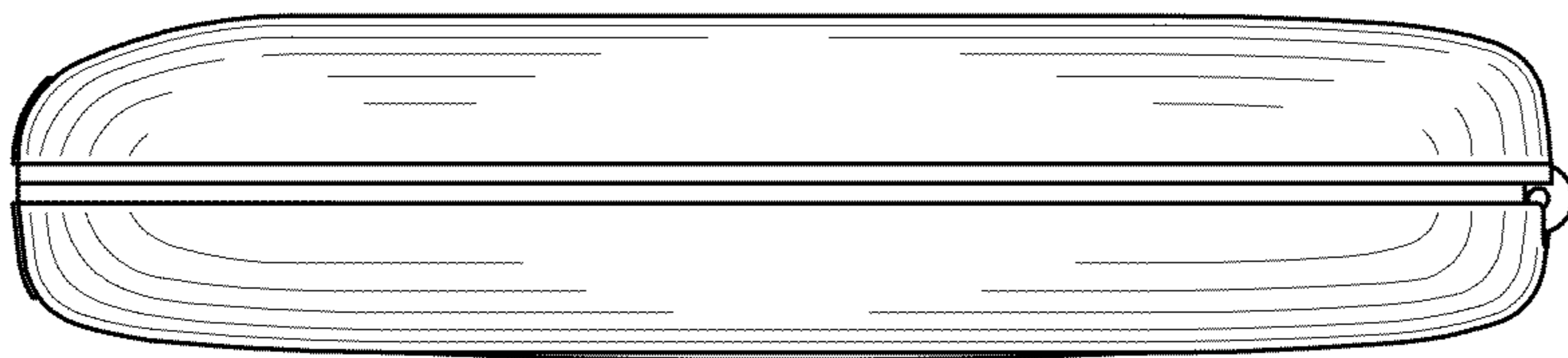


FIG. 7

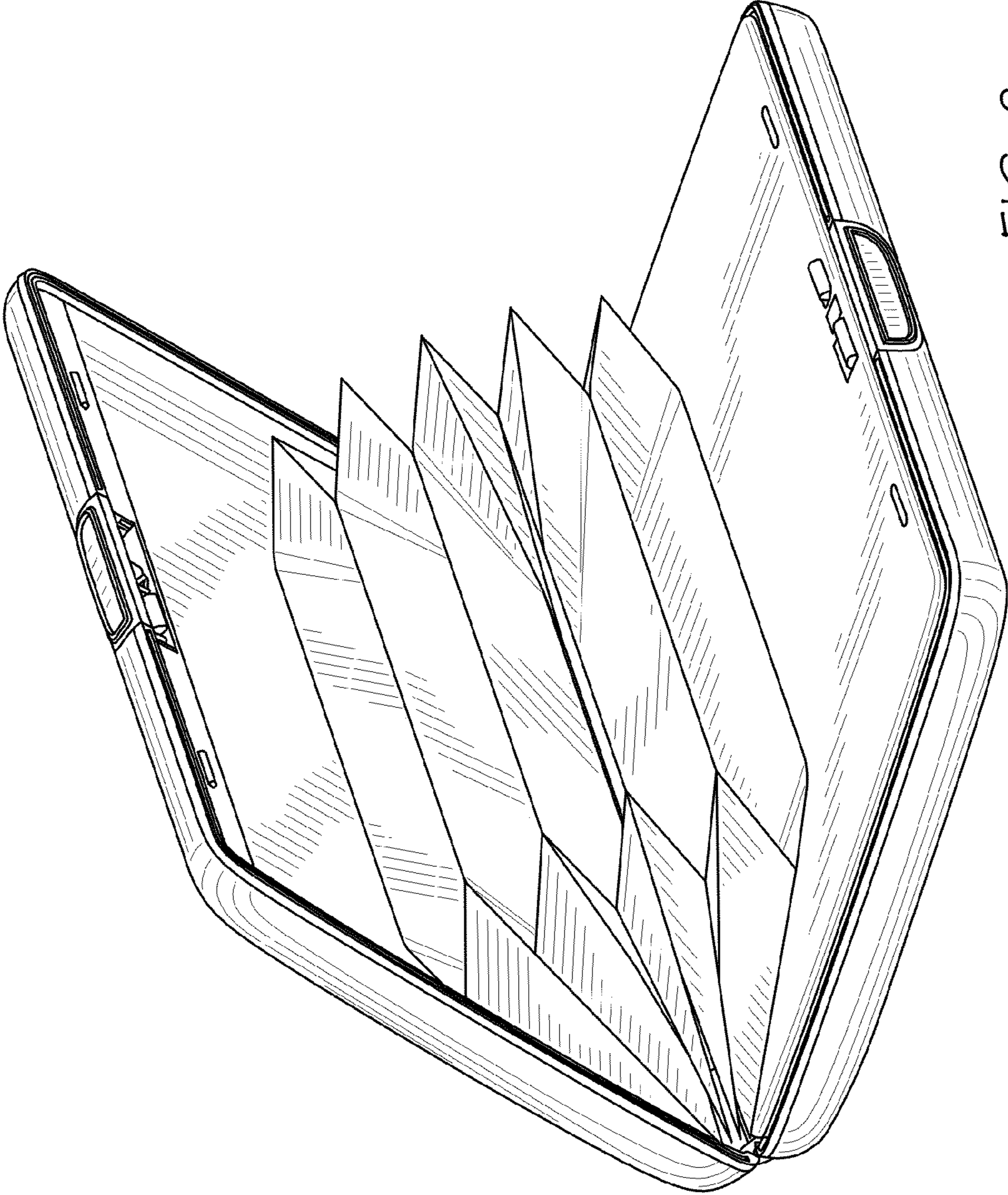


FIG. 8

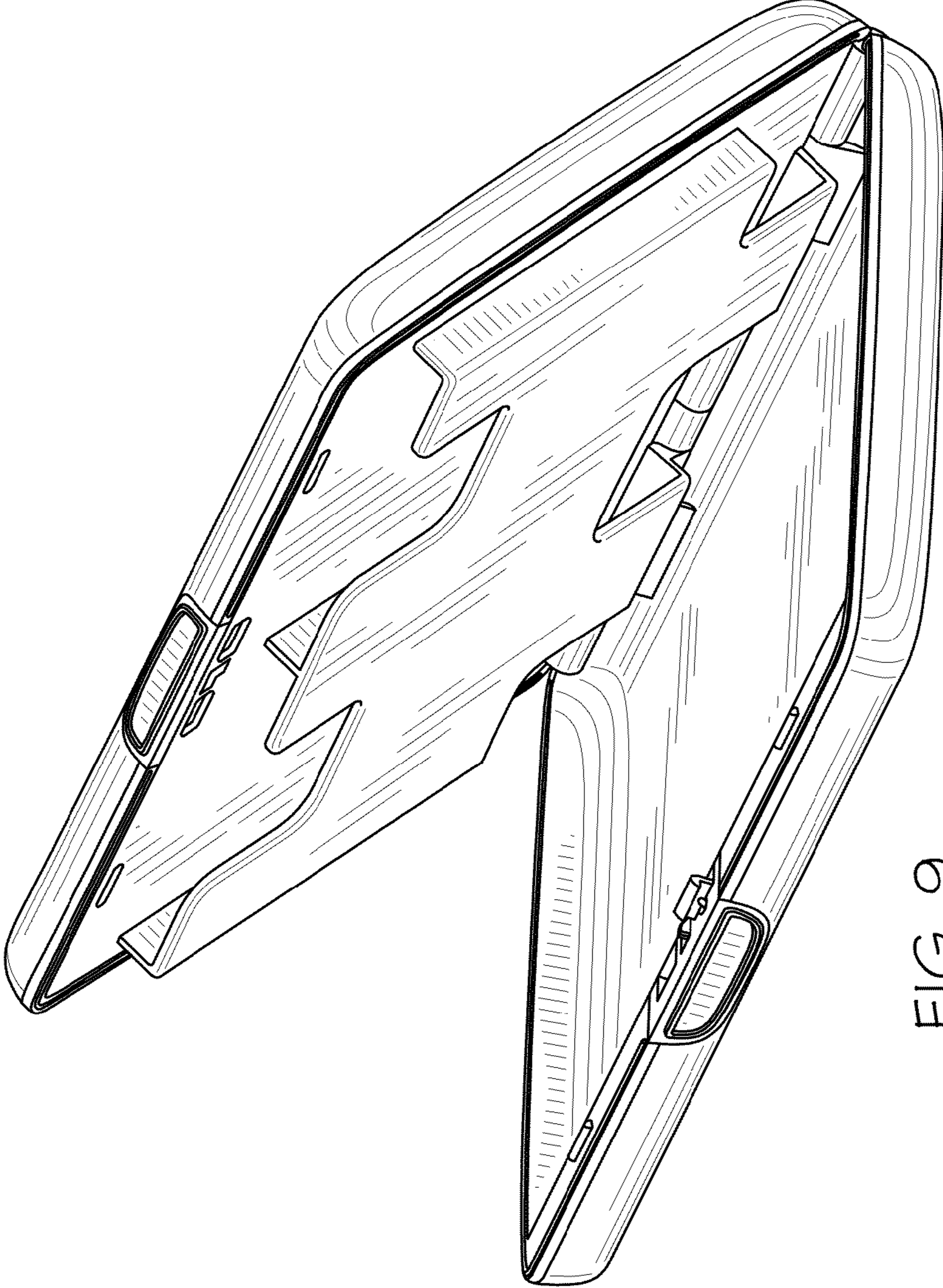


FIG. 9

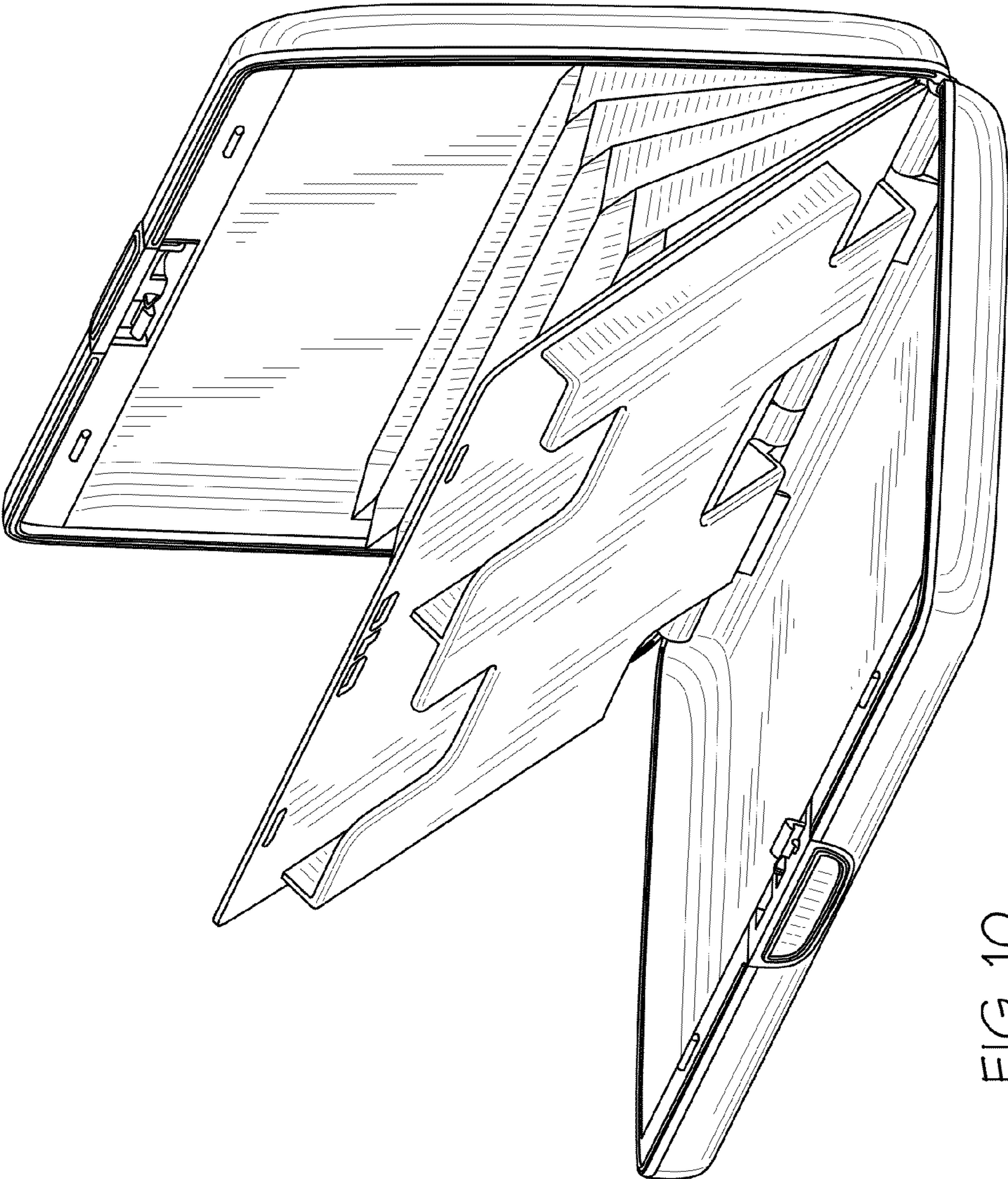


FIG. 10