

US00D697714S

(12) **United States Design Patent**
Baekgaard et al.

(10) **Patent No.:** **US D697,714 S**
(45) **Date of Patent:** **** Jan. 21, 2014**

(54) **PERSONAL TRANSACTION CARD CARRIER**

(75) Inventors: **Barbara Bradley Baekgaard**, Fort Wayne, IN (US); **Rebecca Ann Bennett**, Fort Wayne, IN (US); **Kimberly Frenzel Colby**, Fort Wayne, IN (US); **Tiffany Diehl**, Fort Wayne, IN (US); **Kelli Ann Dove**, Fort Wayne, IN (US); **Stephanie Lane Hoffherr**, Fort Wayne, IN (US); **Helene Kaufman**, Kingston, NY (US); **Veronique M. Poudrier**, Auburn, IN (US); **Molly M. Reddish**, Fort Wayne, IN (US); **Wendy Chapman Wernke**, Fort Wayne, IN (US); **Lisa A. Wright**, Virginia Beach, VA (US)

(73) Assignee: **Vera Bradley Designs, Inc.**, Fort Wayne, IN (US)

(**) Term: **14 Years**

(21) Appl. No.: **29/418,246**

(22) Filed: **Apr. 13, 2012**

(51) **LOC (10) Cl.** **03-01**

(52) **U.S. Cl.**
USPC **D3/247**

(58) **Field of Classification Search**
USPC D3/247, 249-253; 150/130, 132, 150/136-137, 147
See application file for complete search history.

(56) **References Cited**

U.S. PATENT DOCUMENTS

2,258,316 A	10/1941	Buxton	
D319,345 S *	8/1991	Rayburn	D6/630
5,506,395 A	4/1996	Eppley	
5,760,381 A	6/1998	Stich et al.	
5,918,909 A	7/1999	Fiala et al.	
5,975,302 A	11/1999	Young	
D482,162 S *	11/2003	Bostroem	D28/77

7,070,095 B1	7/2006	Gandel et al.	
D527,897 S *	9/2006	Gonzalez	D3/247
7,124,955 B2	10/2006	Lasch et al.	
7,137,552 B1	11/2006	Lasch et al.	
7,147,151 B2	12/2006	Lasch et al.	
7,213,764 B2	5/2007	Lasch et al.	
7,278,584 B1	10/2007	Gandel et al.	
7,383,989 B2	6/2008	Lasch et al.	
D572,468 S *	7/2008	Nair	D3/232
7,520,439 B1	4/2009	Gandel et al.	
7,540,426 B1	6/2009	Gandel et al.	
7,631,812 B2	12/2009	Williams et al.	

(Continued)

FOREIGN PATENT DOCUMENTS

EP	0 515 327	11/1992
JP	2011-125538	6/2011
WO	99/02063	1/1999

Primary Examiner — Holly Baynham

(74) *Attorney, Agent, or Firm* — Faegre Baker Daniels LLP

(57) **CLAIM**

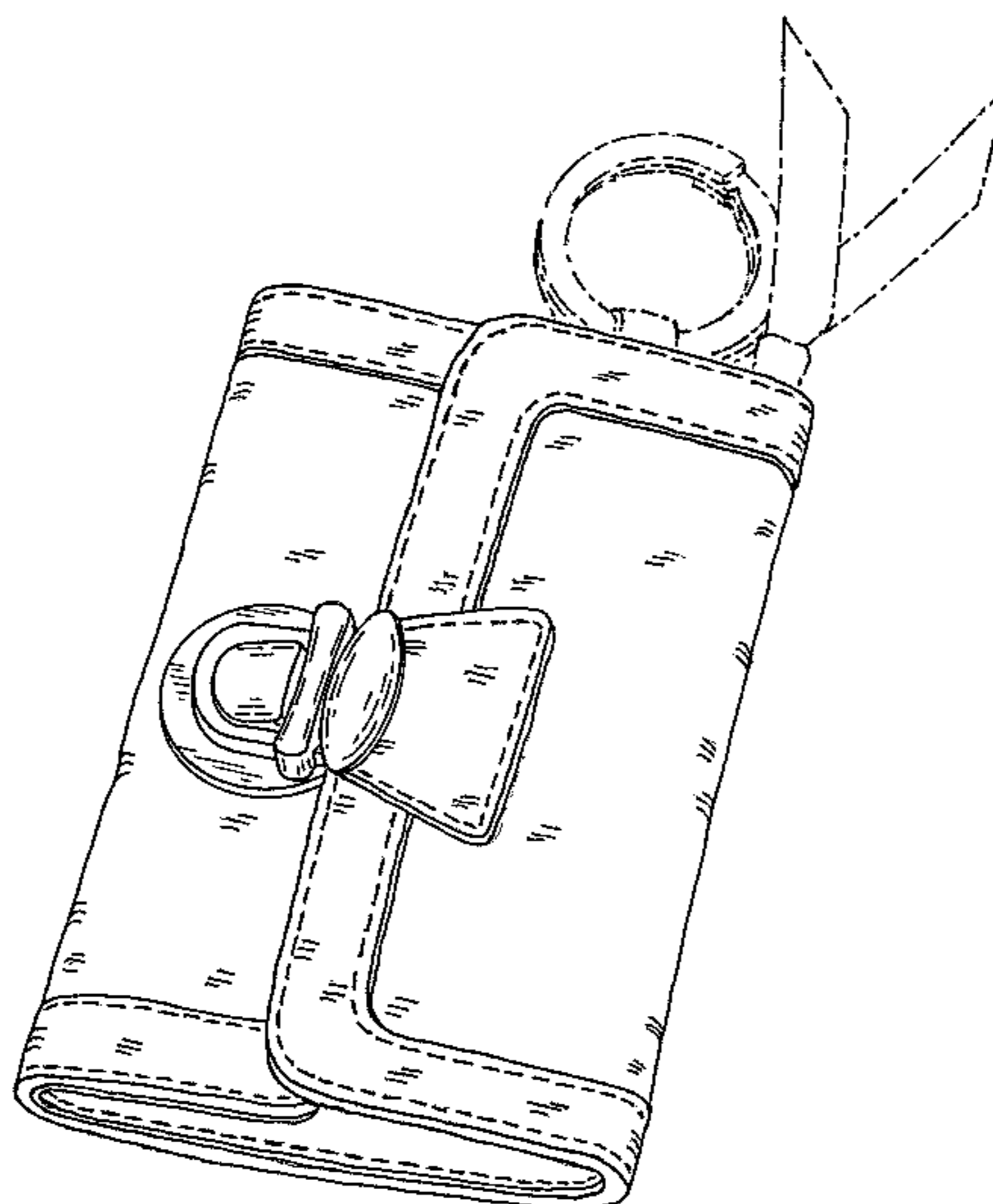
The ornamental design for a personal transaction card carrier, as shown and described.

DESCRIPTION

FIG. 1 is a perspective view illustrating the personal transaction card carrier of our new design in a closed configuration; FIG. 2 is another perspective view thereof, shown in an open configuration; FIG. 3 is a front view thereof; FIG. 4 is a rear view thereof; FIG. 5 is a top view thereof; FIG. 6 is a bottom view thereof; FIG. 7 is a right side view thereof; and, FIG. 8 is a left side view thereof.

The dash-dot broken lines showing a tag are for the purposes of illustrating environment and form no part of the claimed design. The evenly spaced broken lines represent stitching and are part of the claimed design.

1 Claim, 5 Drawing Sheets



(56)

References Cited

U.S. PATENT DOCUMENTS

D613,502 S * 4/2010 Hardy D3/247
D615,298 S * 5/2010 Lasuik D3/247
7,721,956 B2 5/2010 Williams et al.
2003/0093931 A1 5/2003 Cuff

2004/0148837 A1 8/2004 Lewis
2007/0089999 A1 4/2007 Decker et al.
2008/0163964 A1 7/2008 Brannon
2009/0065111 A1 3/2009 Ohayon et al.
2011/0048594 A1 3/2011 Arnone

* cited by examiner

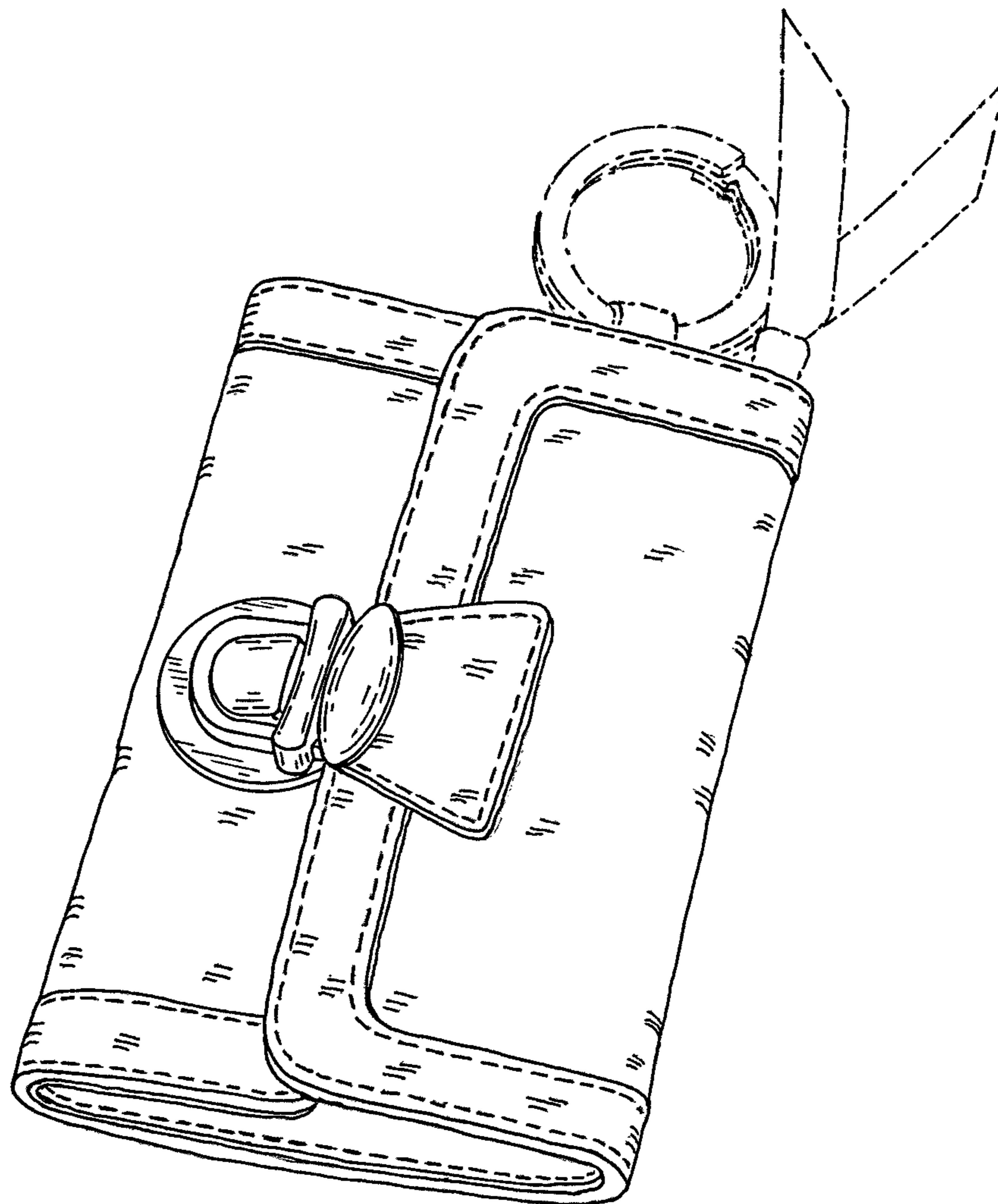


FIG. 1

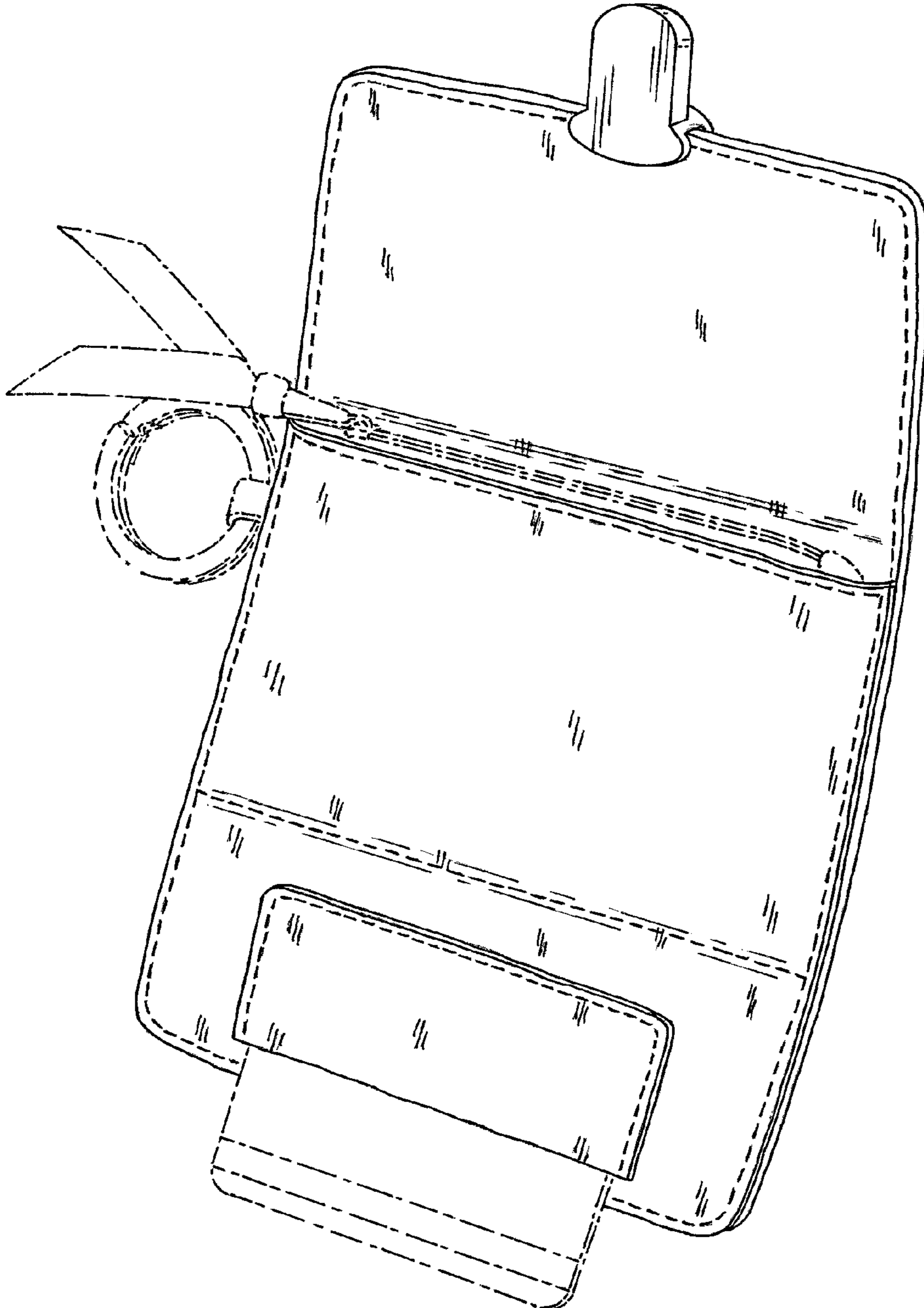


FIG. 2

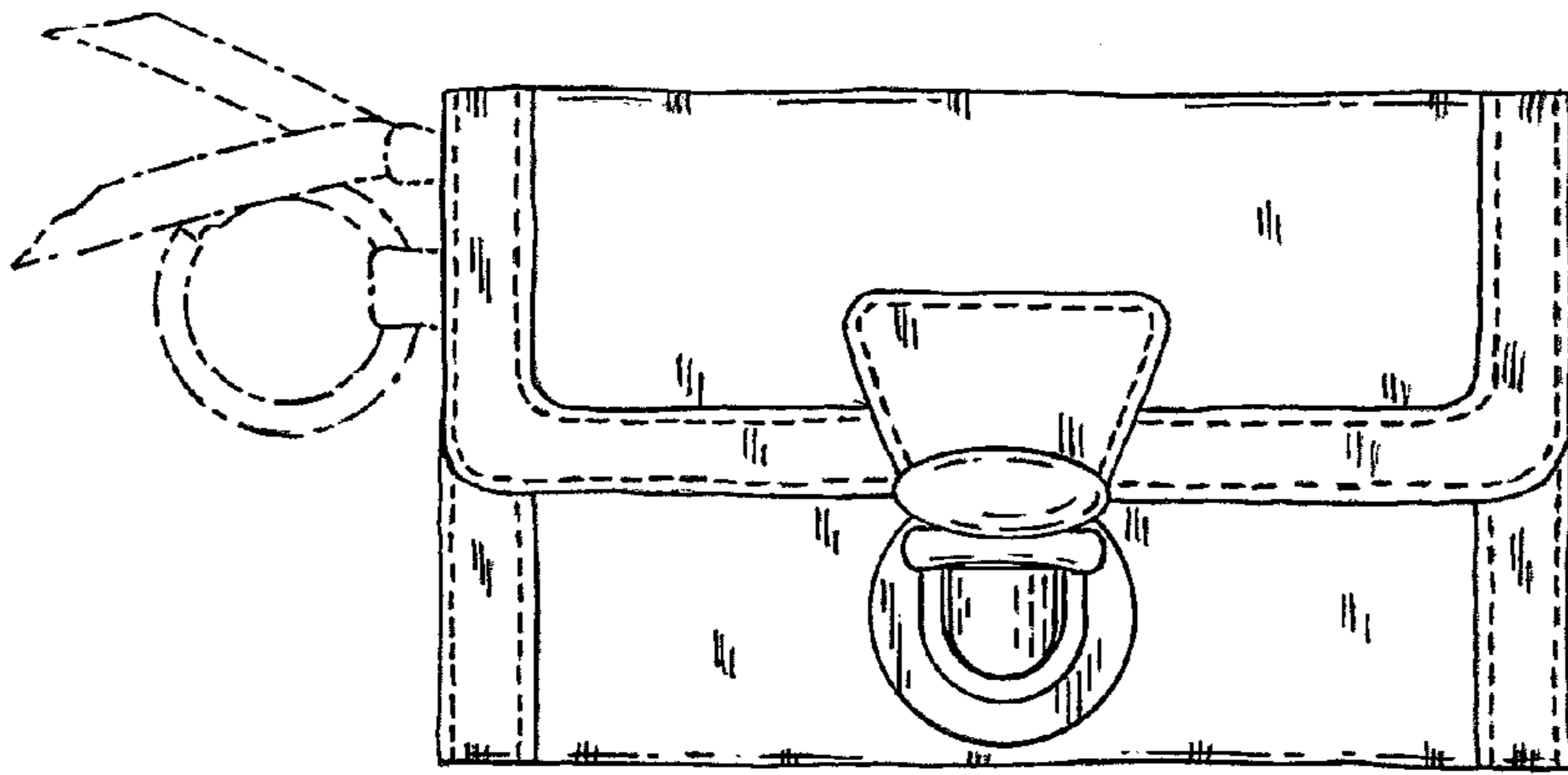


FIG. 3

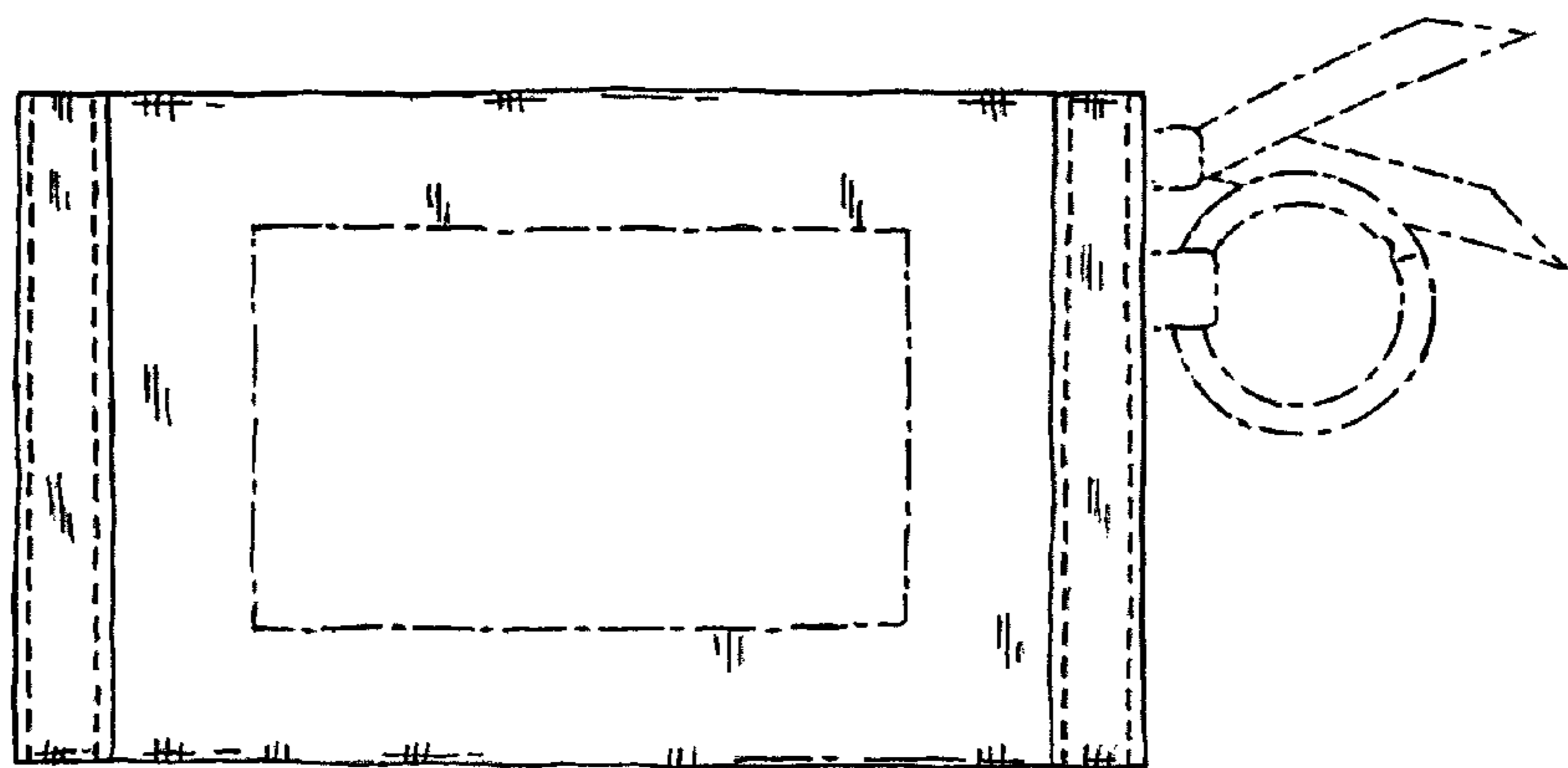


FIG. 4

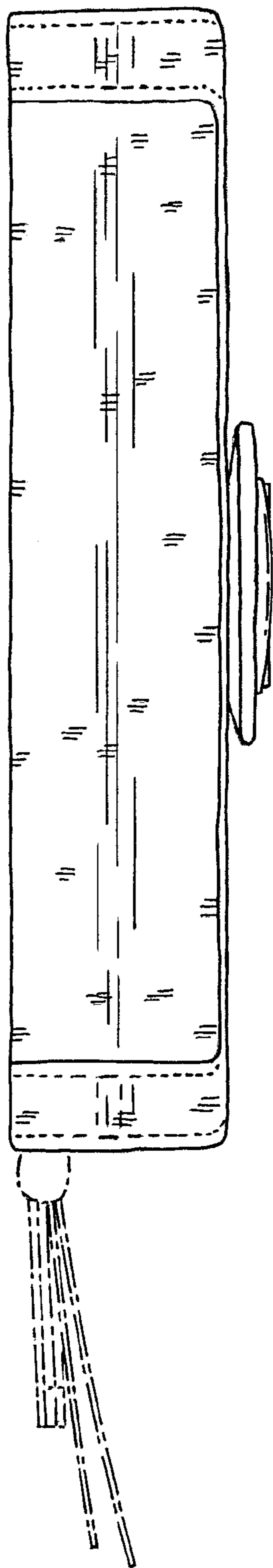


FIG. 5

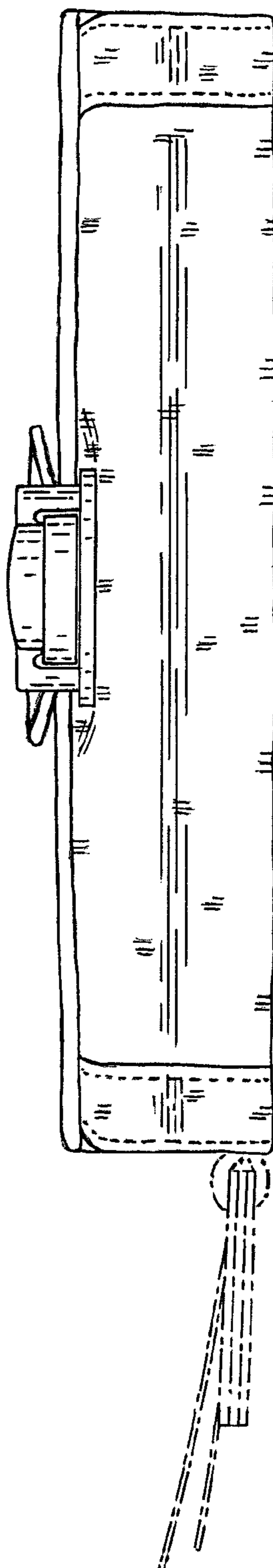


FIG. 6

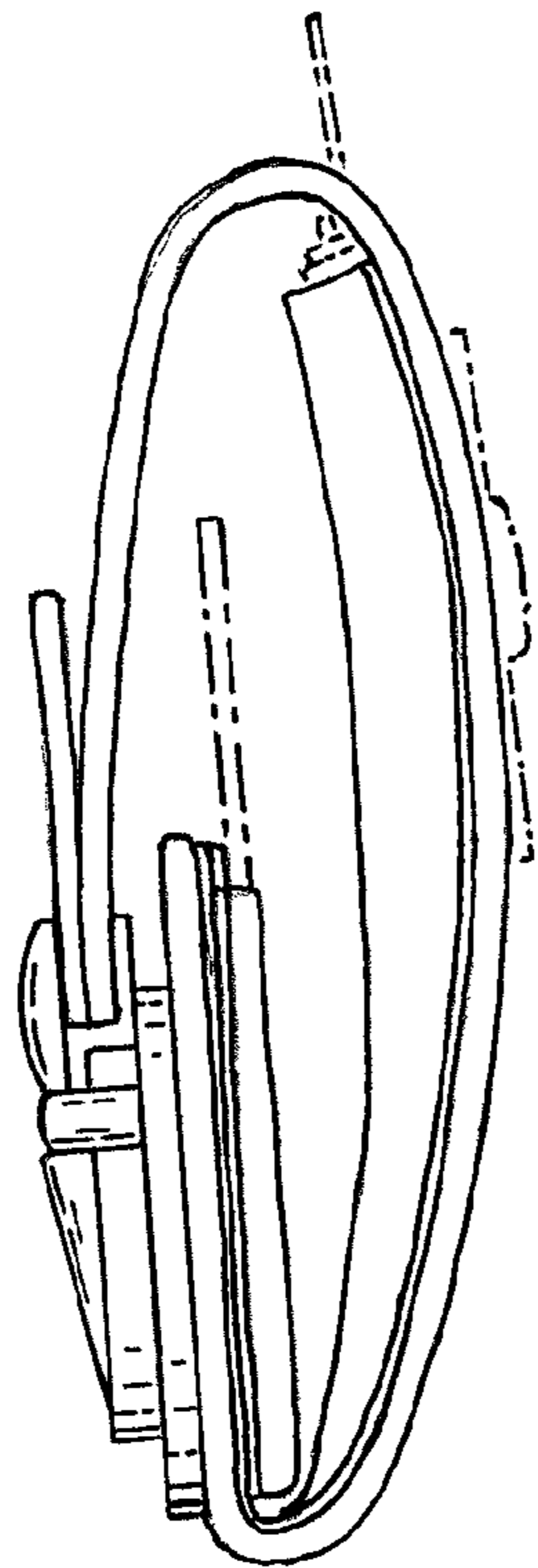


FIG. 7

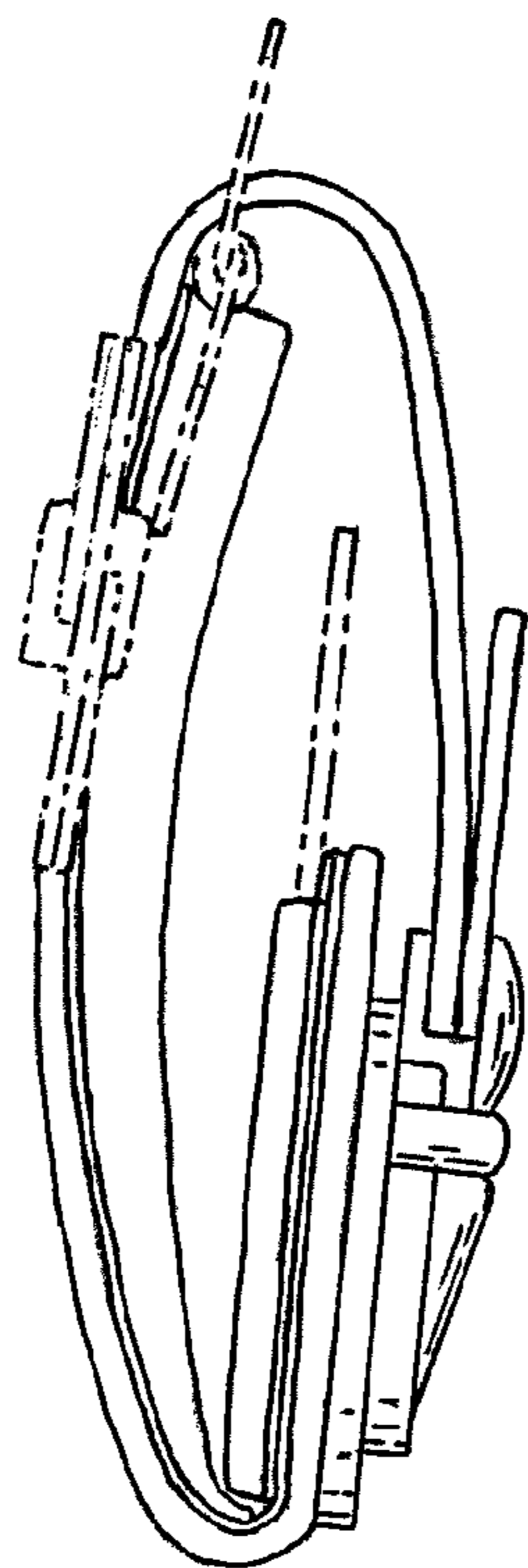


FIG. 8