



US00D697710S

(12) **United States Design Patent**
Cacioppo

(10) **Patent No.:** **US D697,710 S**
(45) **Date of Patent:** **** Jan. 21, 2014**

(54) **COMBINED FISHING GLOVE AND BELT APPARATUS**

Primary Examiner — Catheri Oliver-Garcia

(76) Inventor: **John Anthony Cacioppo**, Mandeville, LA (US)

(57) **CLAIM**
The ornamental design for a combined fishing glove and belt apparatus, as shown and described.

(**) Term: **14 Years**

(21) Appl. No.: **29/372,705**

DESCRIPTION

(22) Filed: **Jan. 3, 2011**

(51) **LOC (10) Cl.** **03-01**

(52) **U.S. Cl.**
USPC **D3/221**

(58) **Field of Classification Search**
USPC D3/221, 215, 224, 226, 228, 329;
224/219, 222, 251, 269, 666, 901, 904;
24/3.1, 3.11, 3.13; D22/149, 199
See application file for complete search history.

FIG. 1 is a front perspective view of the combined fishing glove and belt apparatus showing my new design;
FIG. 2 is a side elevation view, shown in use;
FIG. 3 is another side elevation view, shown in use;
FIG. 4 is another side elevation view, with the glove shown removed from the clothing protector;
FIG. 5 is a partial enlarged view of the belt, showing the male/female closure;
FIG. 6 is another partial enlarged view of the rear of the belt;
FIG. 7 is a partial view of the opposite side of the belt, showing the retractor with the needle nose pliers attached;
FIG. 8 discloses a side view, with the design shown in use; and,
FIG. 9 is another side view, with the design show in use.
The broken line showing of environment in the drawings is included for the purpose of illustrating only and forms no part of the claimed design.
FIGS. 5-7 are shown broken away for convenience of illustration. The inner portion of the belt (not shown) is plain and unornamented.

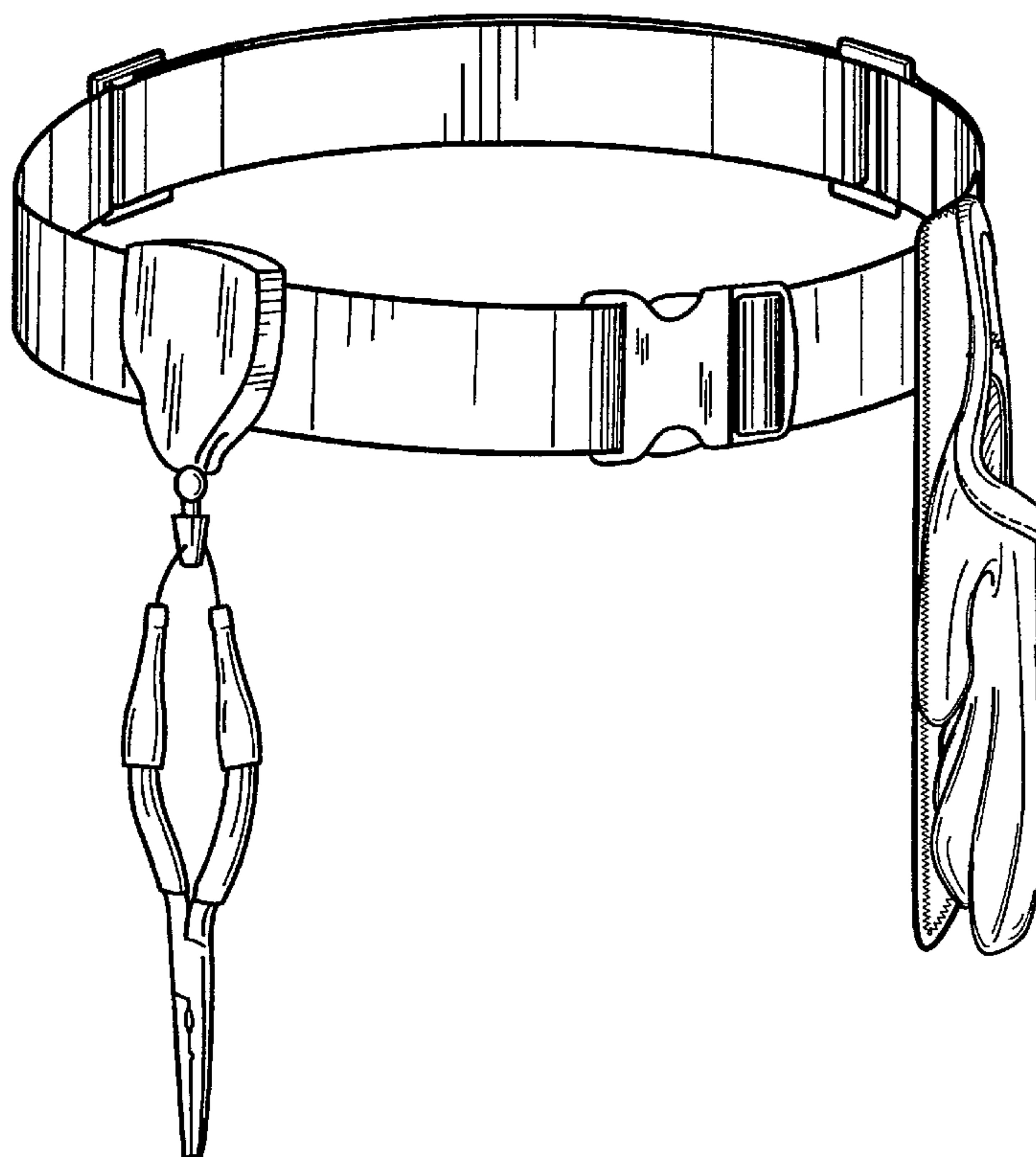
(56) **References Cited**

U.S. PATENT DOCUMENTS

D348,982 S *	7/1994	Dancyger	D3/224
D371,456 S *	7/1996	Champlin et al.	D3/224
D424,293 S *	5/2000	Knox	D3/221
6,176,403 B1 *	1/2001	Svare et al.	224/251
D440,761 S *	4/2001	Williams et al.	D3/224
D586,553 S *	2/2009	Kiss	D3/224
D618,299 S *	6/2010	Steiner	D22/149

* cited by examiner

1 Claim, 4 Drawing Sheets



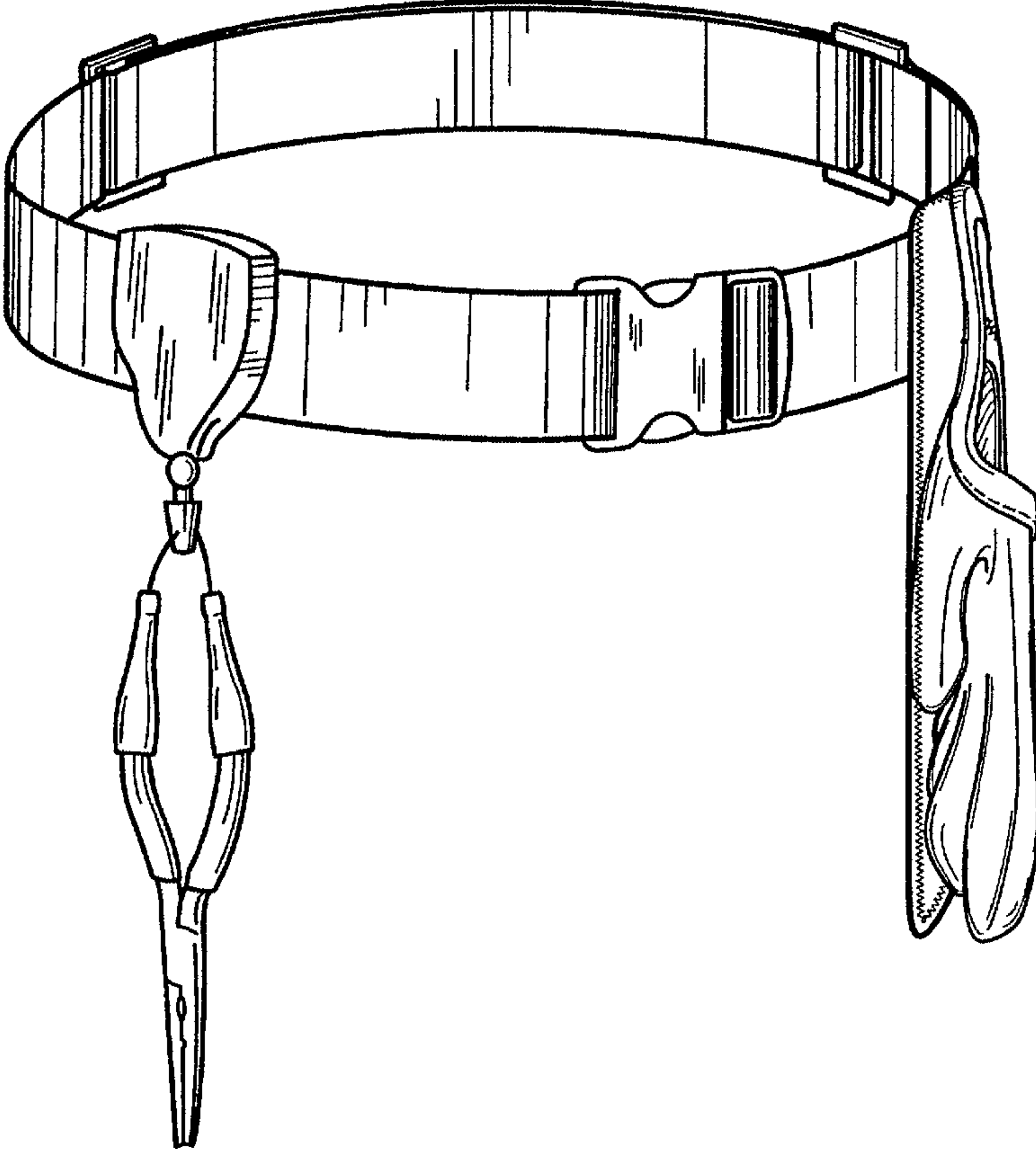


Figure 1

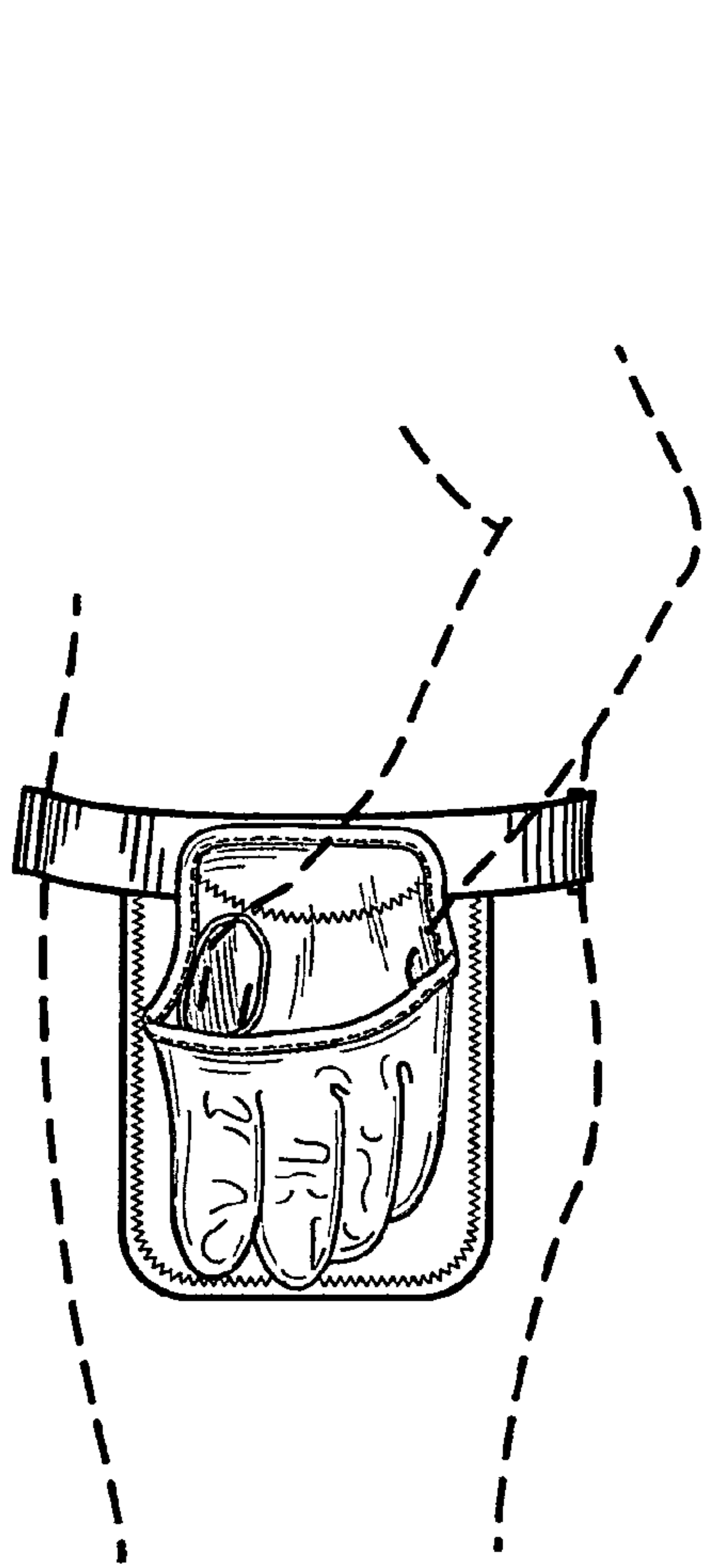


Figure 3

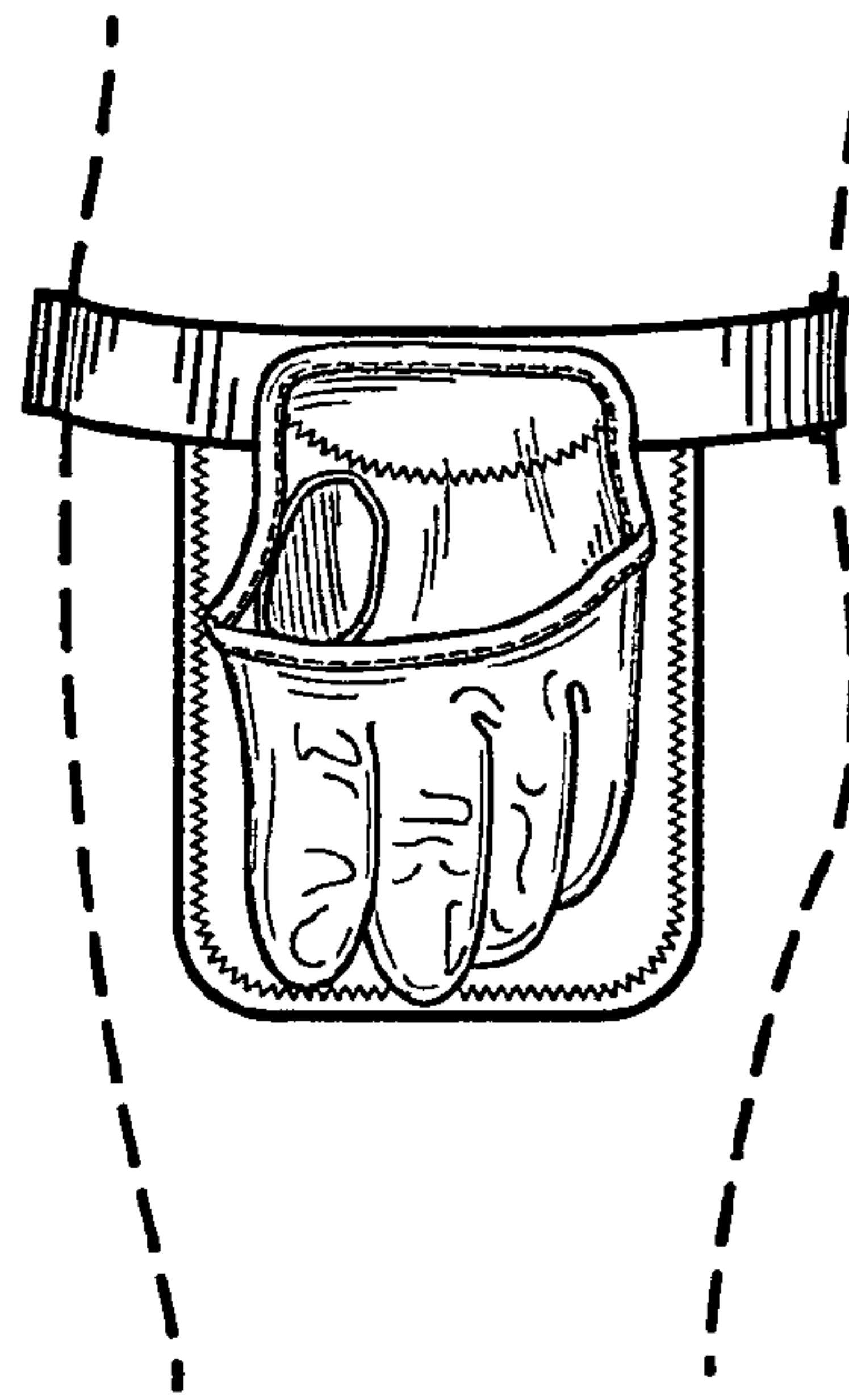


Figure 2

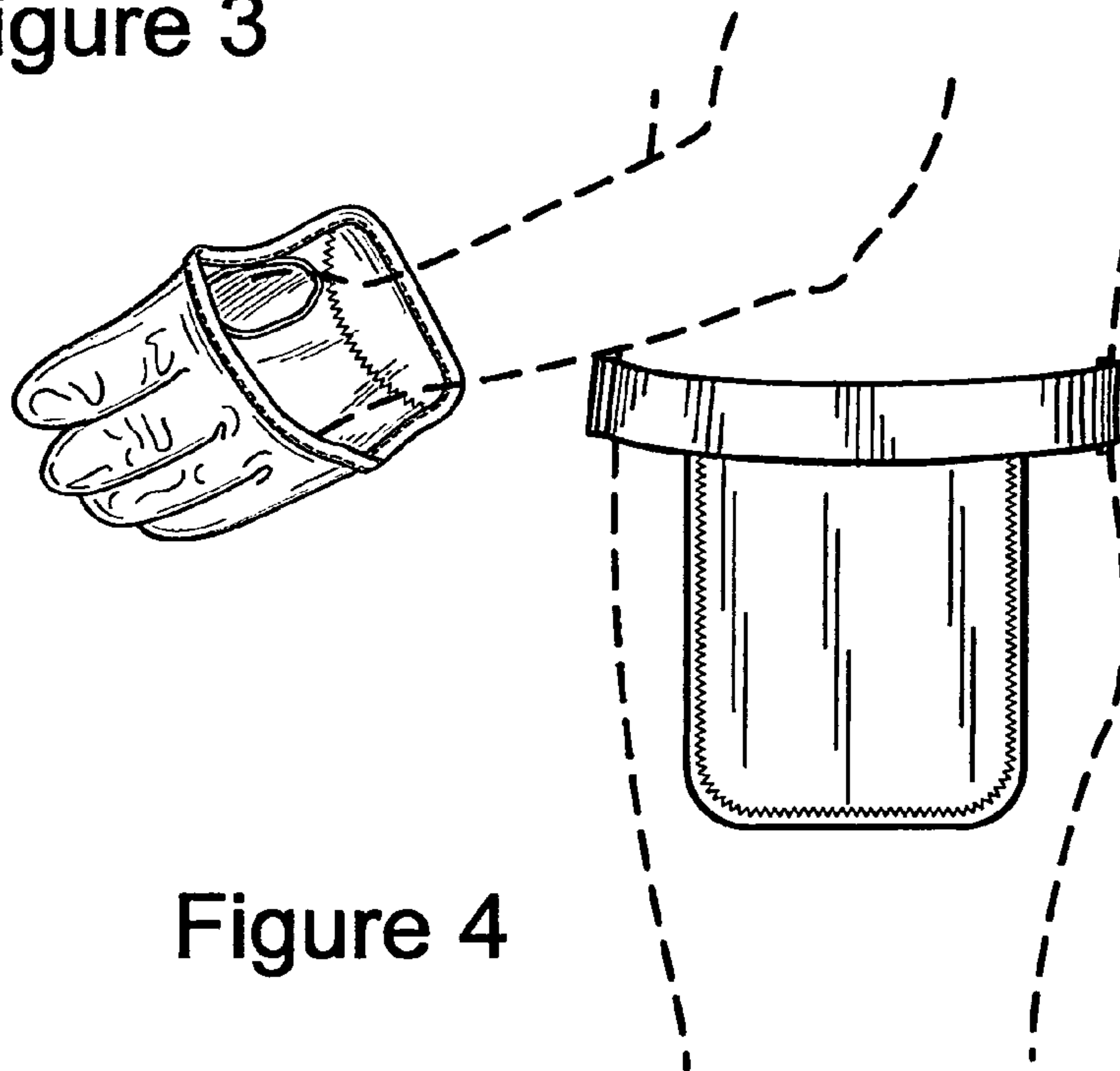


Figure 4

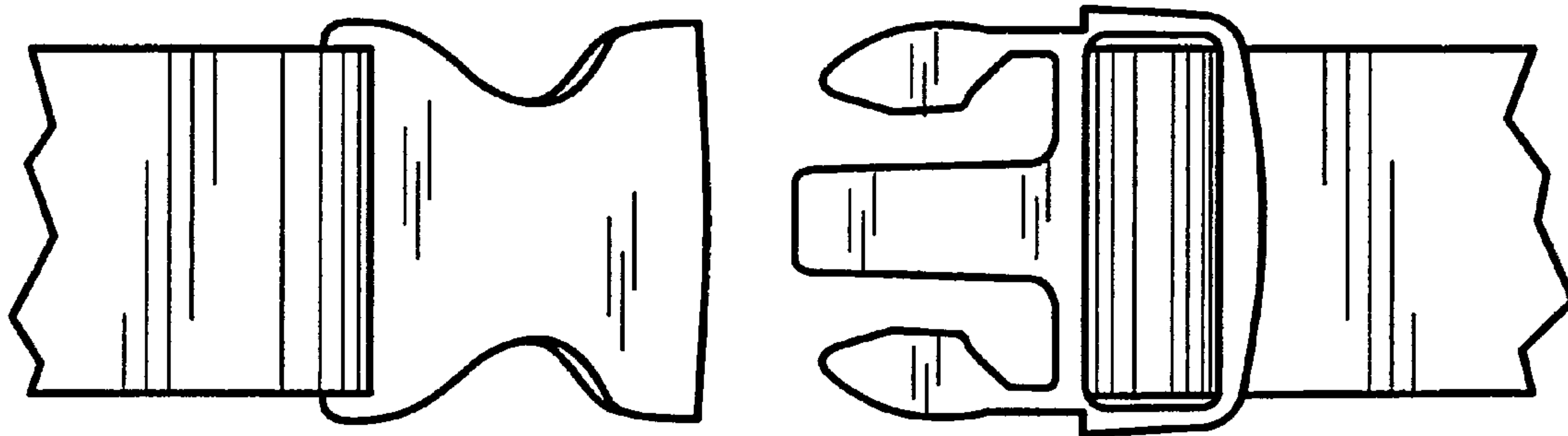


Figure 5

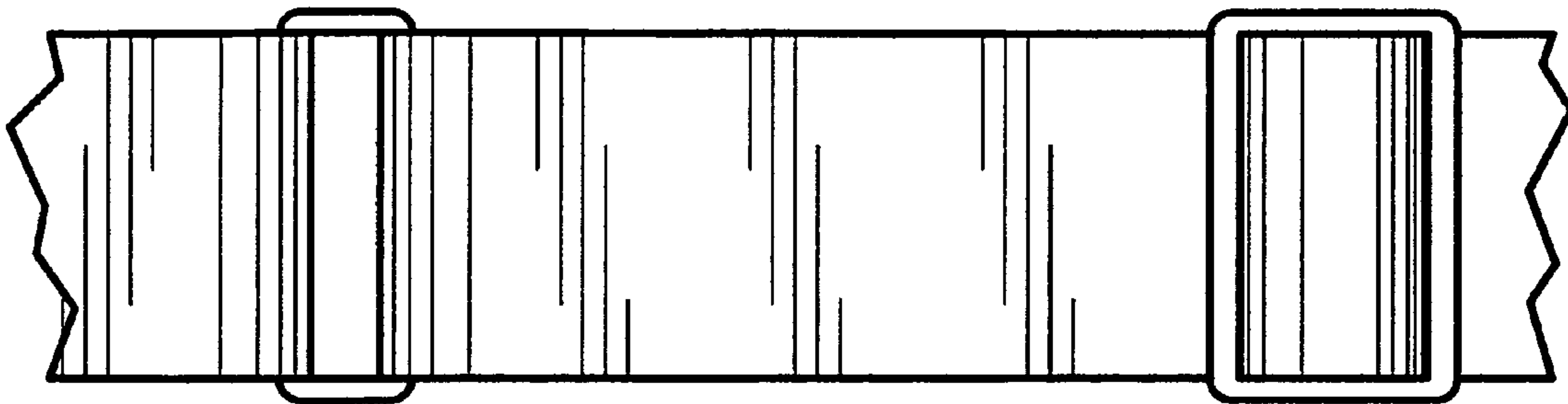


Figure 6

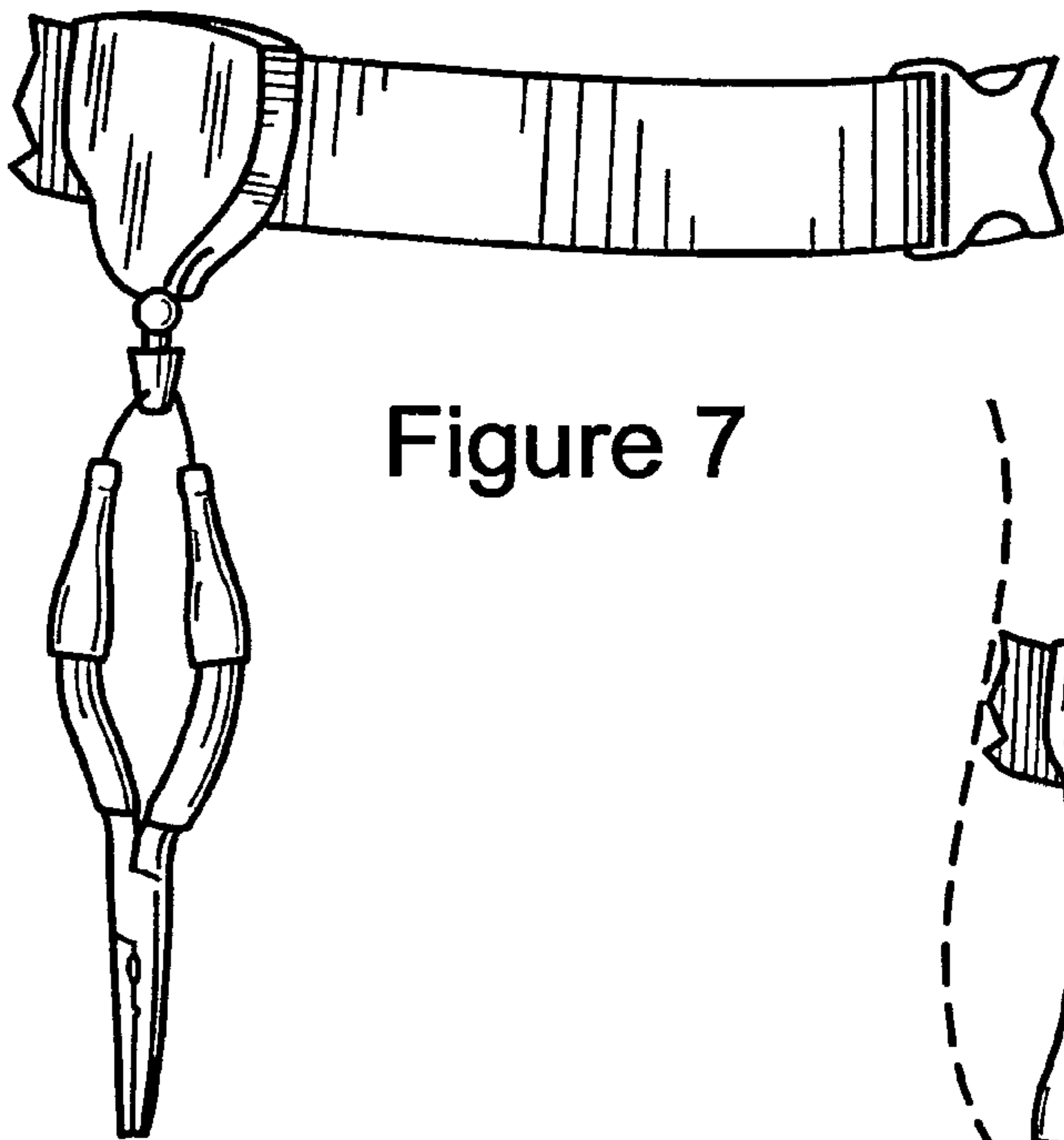


Figure 7

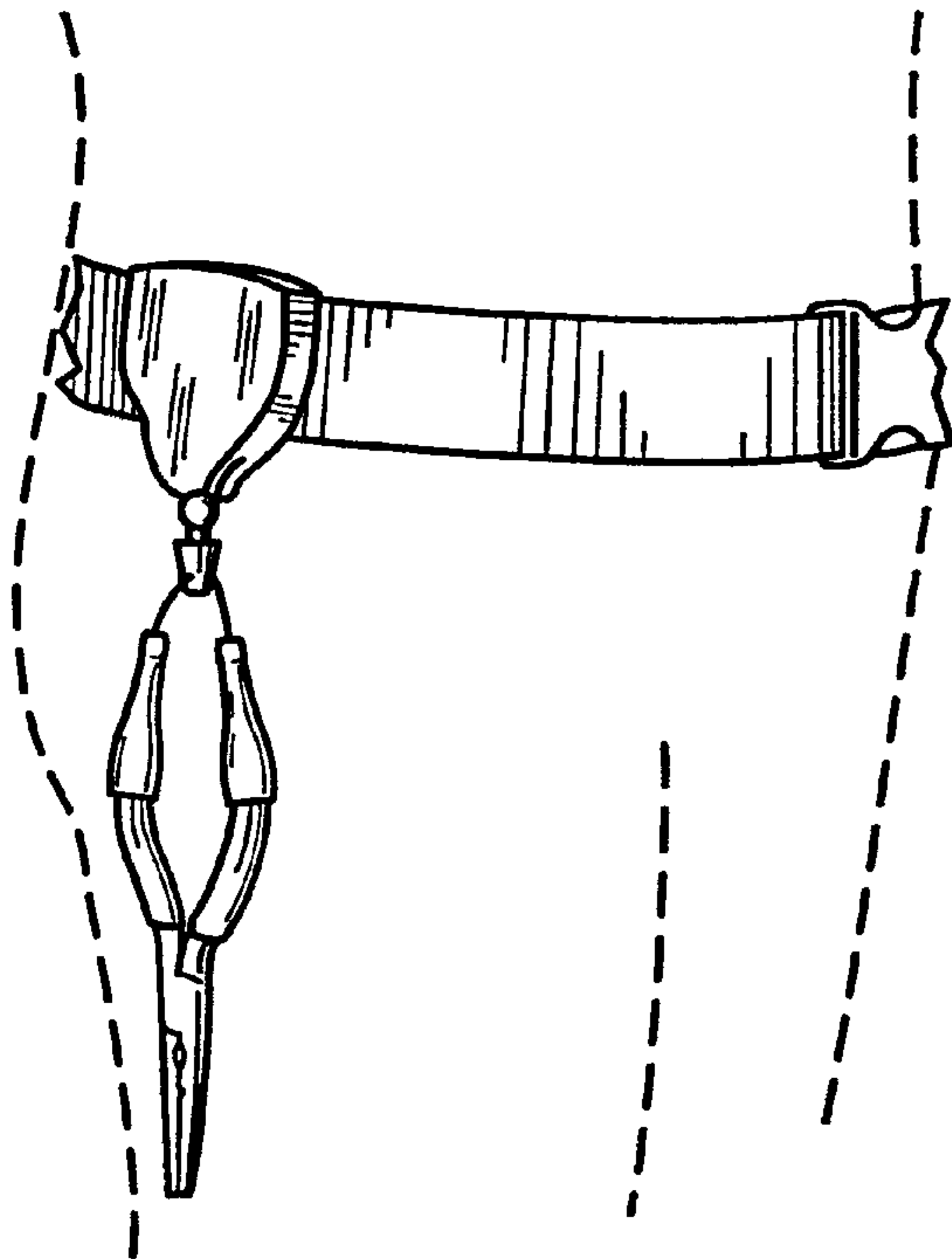


Figure 8

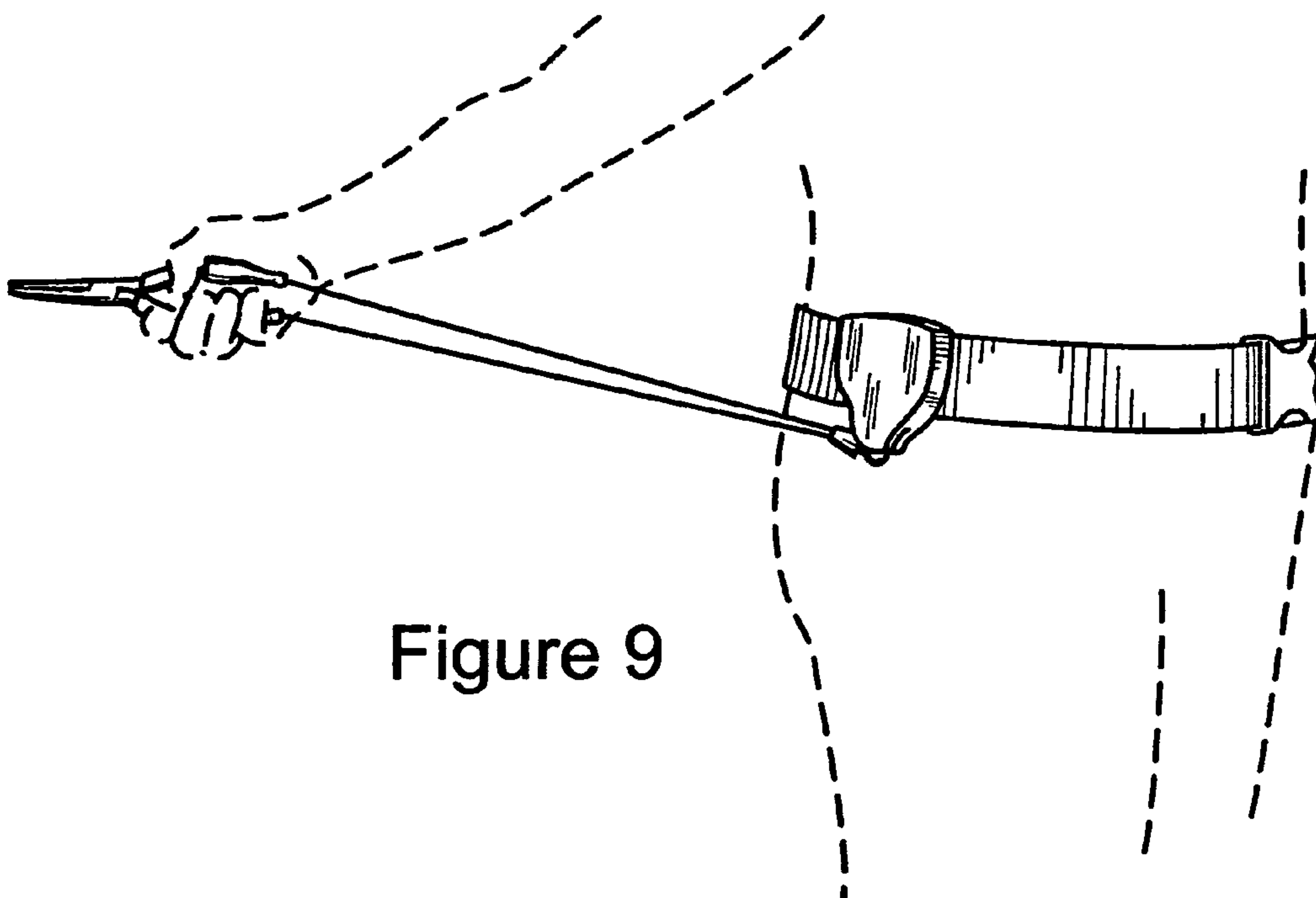


Figure 9