



US00D697705S

(12) **United States Design Patent**
Ma

(10) **Patent No.:** **US D697,705 S**
(45) **Date of Patent:** **** Jan. 21, 2014**

(54) **UMBRELLA BASE**

FOREIGN PATENT DOCUMENTS

(76) Inventor: **Oliver Joen-an Ma**, Arcadia, CA (US)

DE 202006002271 U1 6/2006

(**) Term: **14 Years**

OTHER PUBLICATIONS

(21) Appl. No.: **29/387,779**

Activa Leisure, 2010 Product Catalog, pp. 59-60.
Treasure Garden, 2010 Product Catalog, pp. 62-66.

(22) Filed: **Mar. 17, 2011**

* cited by examiner

(51) **LOC (10) Cl.** **03-03**

(52) **U.S. Cl.**
USPC **D3/10**

(58) **Field of Classification Search**
USPC D3/10; 135/15.1, 16; 248/129, 519,
248/522-523, 910; D8/71, 354
See application file for complete search history.

Primary Examiner — Catheri Oliver-Garcia
(74) *Attorney, Agent, or Firm* — Knobbe Martens Olson & Bear, LLP

(56) **References Cited**

(57) **CLAIM**
The ornamental design for an umbrella base, as shown and described.

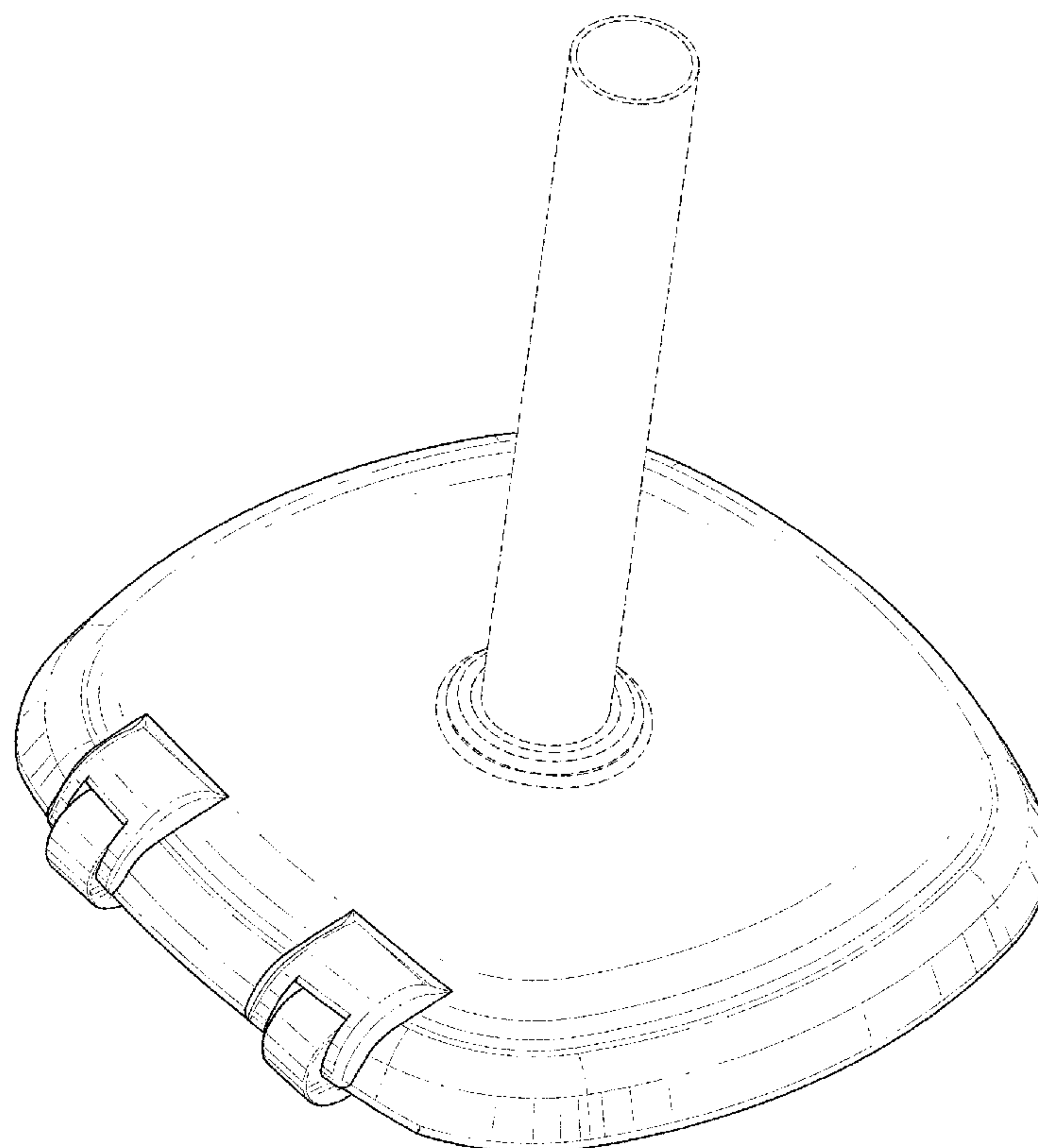
U.S. PATENT DOCUMENTS

DESCRIPTION

2,952,471	A	9/1960	Thorpe	
D305,702	S *	1/1990	Taliani et al.	D3/10
6,367,494	B1	4/2002	Tung	
D485,055	S *	1/2004	Taylor	D3/10
D516,297	S	3/2006	Smith et al.	
7,140,581	B1	11/2006	White	
D573,786	S *	7/2008	Smith et al.	D3/10
D578,749	S	10/2008	Ng	
7,513,479	B2	4/2009	Li	
7,641,165	B2	1/2010	Li	
2006/0054206	A1	3/2006	Bilotti	
2010/0147341	A1	6/2010	Li	

FIG. 1 is a perspective view of an umbrella base showing the new design;
FIG. 2 is a front view of the design of FIG. 1;
FIG. 3 is a rear view of the design of FIG. 1;
FIG. 4 is a left side view of the design of FIG. 1;
FIG. 5 is a right side view of the design of FIG. 1; and,
FIG. 6 is a top view of the design of FIG. 1.

1 Claim, 6 Drawing Sheets



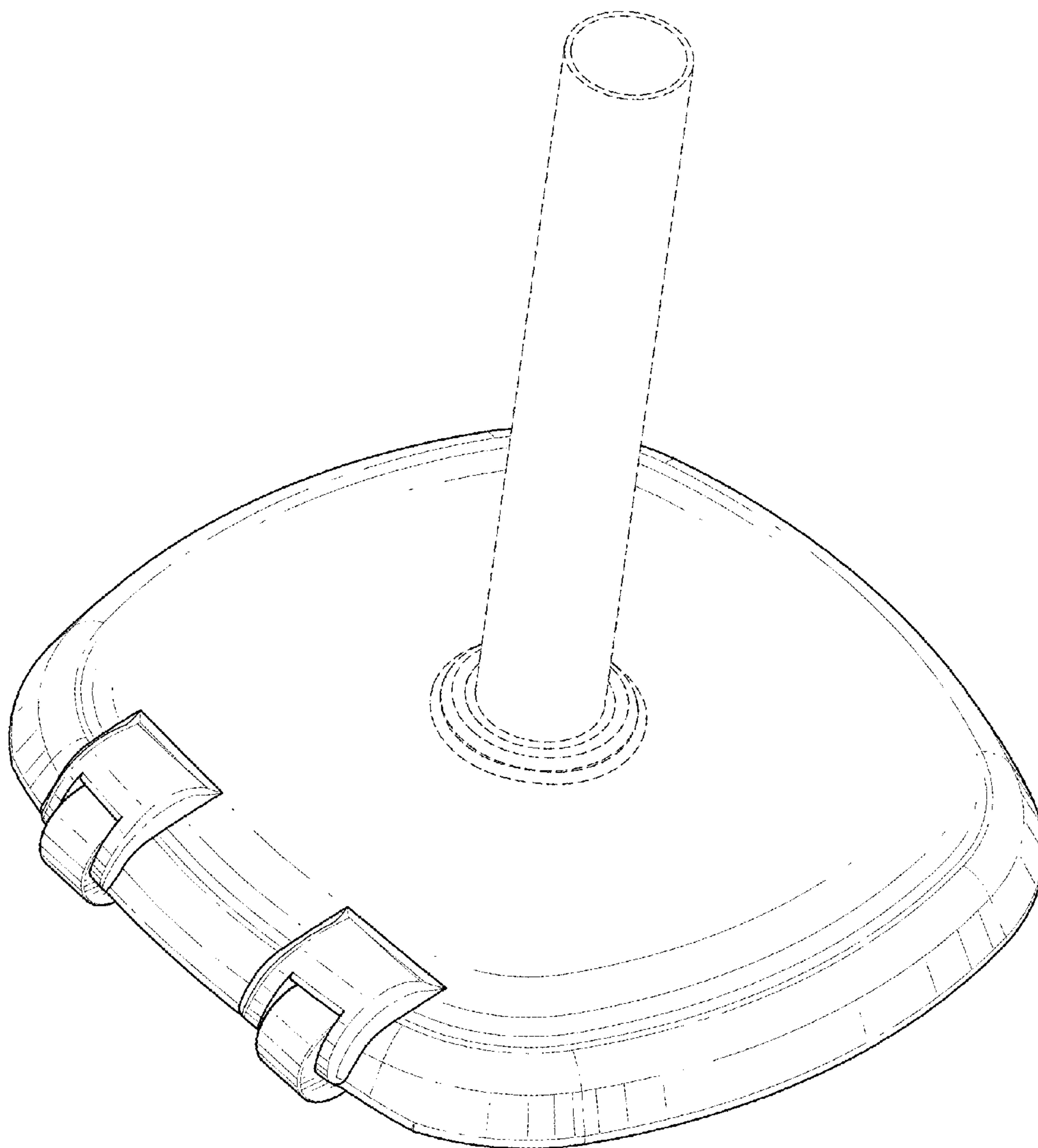


FIG. 1

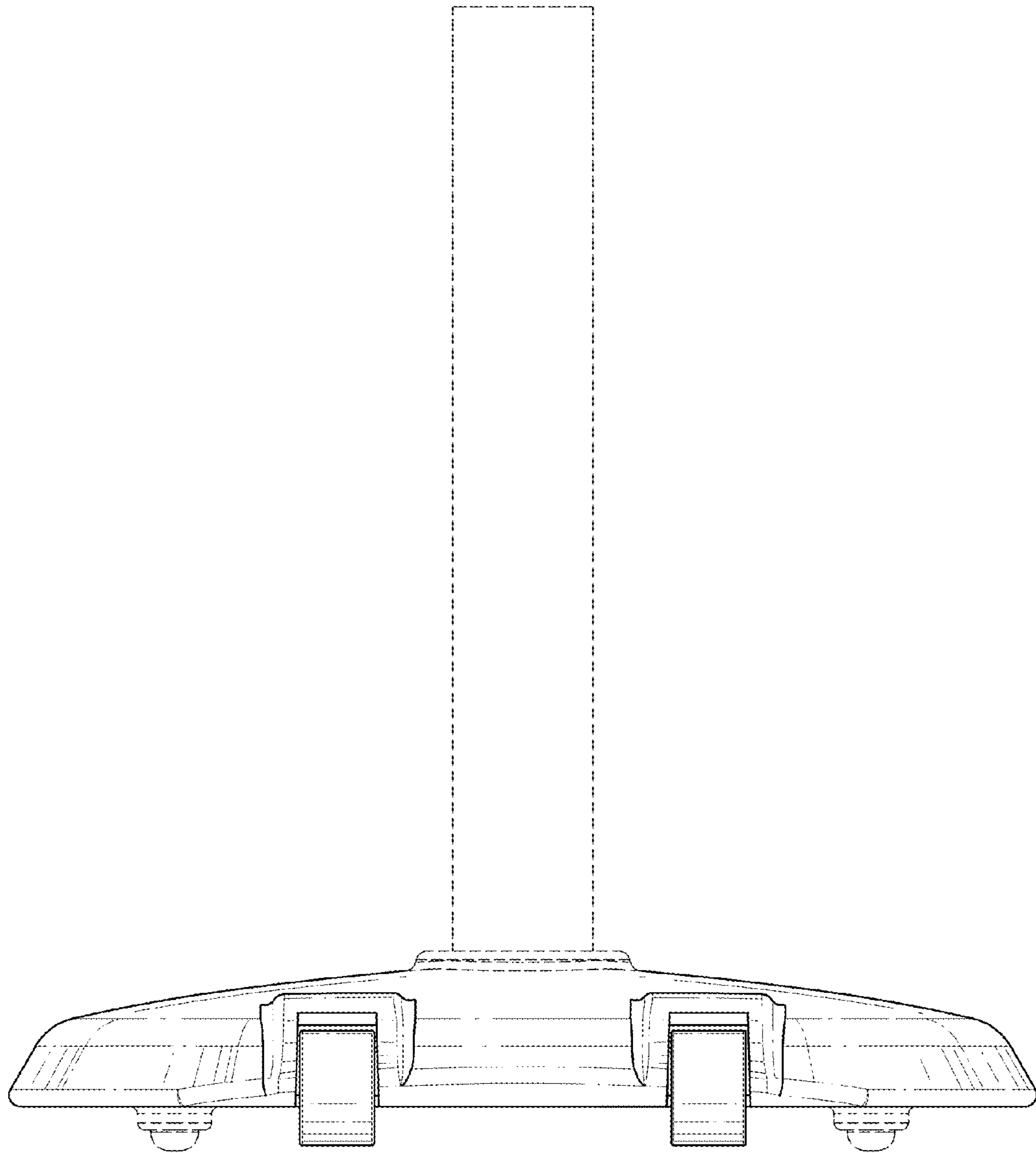


FIG. 2

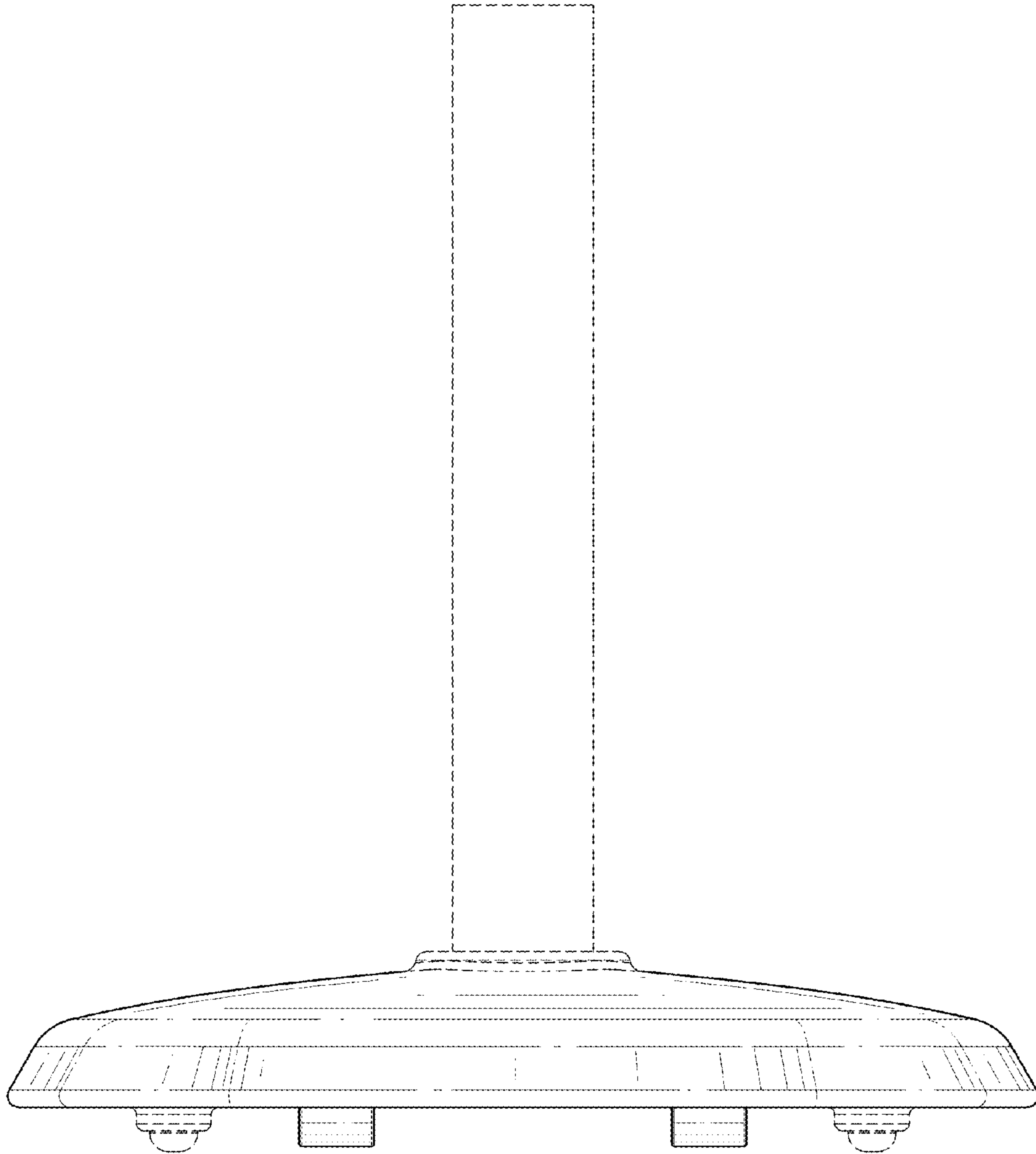


FIG. 3

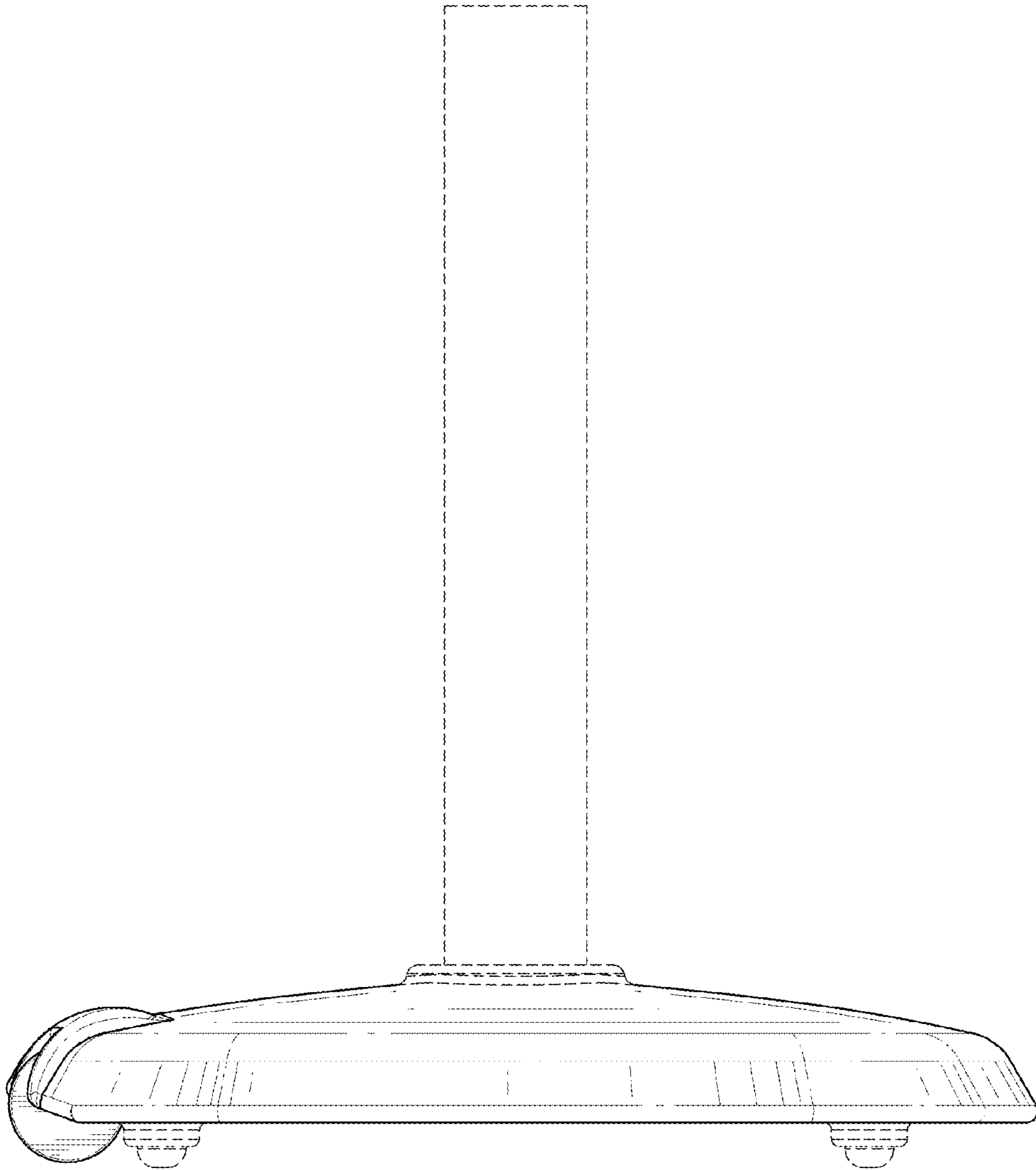


FIG. 4

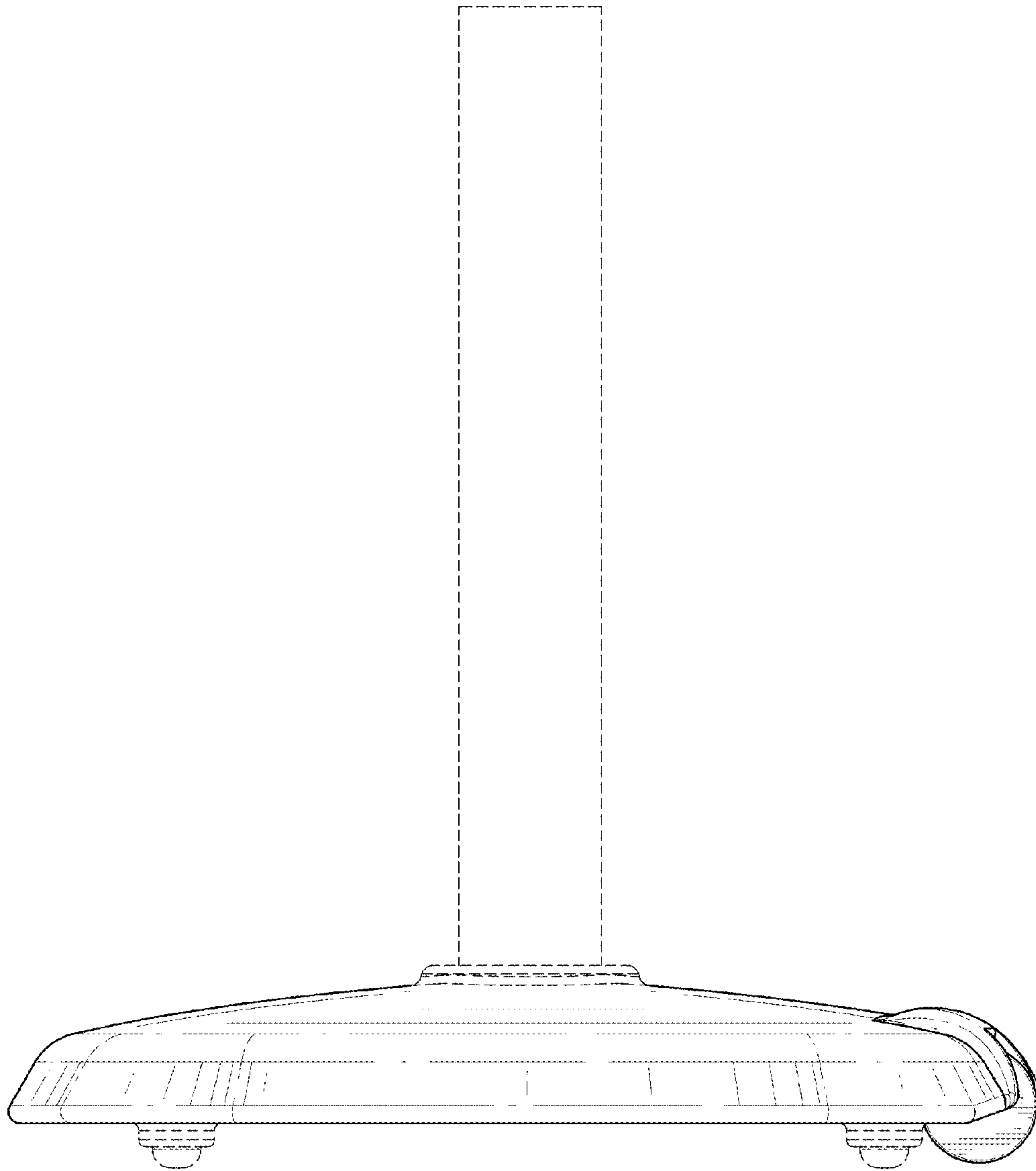


FIG. 5

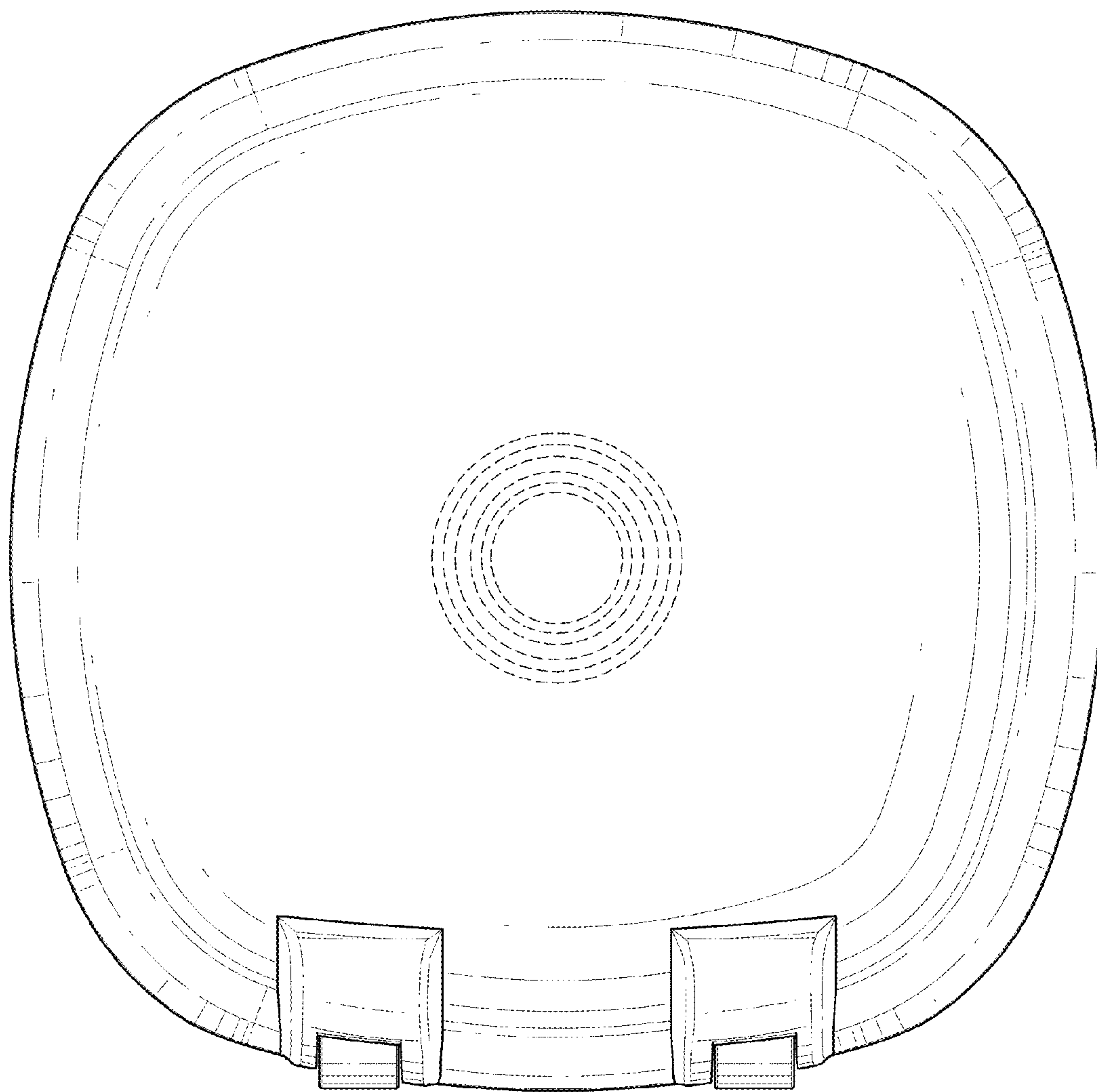


FIG. 6