



US00D697701S

(12) **United States Design Patent**
McClaskie

(10) **Patent No.:** **US D697,701 S**
(45) **Date of Patent:** **** Jan. 21, 2014**

- (54) **OUTSOLE FOR A SHOE**
- (71) Applicant: **Thomas E. McClaskie**, Bethlehem, PA (US)
- (72) Inventor: **Thomas E. McClaskie**, Bethlehem, PA (US)
- (73) Assignee: **Columbia Insurance Company**, Omaha, NE (US)
- (**) Term: **14 Years**
- (21) Appl. No.: **29/454,210**
- (22) Filed: **May 8, 2013**
- (51) **LOC (10) Cl.** **02-04**
- (52) **U.S. Cl.**
USPC **D2/952**; D2/948; D2/951
- (58) **Field of Classification Search**
USPC D2/902, 906, 908, 916, 918, 925,
D2/946-962, 977; 36/3 B, 22 R, 24.5, 25 R,
36/28, 32 R, 34 R, 59 C, 67 A, 103
See application file for complete search history.

(56) **References Cited**

U.S. PATENT DOCUMENTS

D550,935 S *	9/2007	Issler	D2/916
D592,388 S *	5/2009	Issler	D2/952
D600,894 S *	9/2009	Issler	D2/952
D604,487 S *	11/2009	McClaskie	D2/952
D608,535 S *	1/2010	McClaskie	D2/952
D609,887 S *	2/2010	McClaskie	D2/952
D609,889 S *	2/2010	McClaskie	D2/952
D610,787 S *	3/2010	McClaskie	D2/952
D625,907 S *	10/2010	McClaskie	D2/952

D626,735 S *	11/2010	McClaskie	D2/959
D654,672 S *	2/2012	McClaskie	D2/951
D654,675 S *	2/2012	McClaskie	D2/952
D663,518 S *	7/2012	McClaskie	D2/957
D669,671 S *	10/2012	McClaskie	D2/952
D670,485 S *	11/2012	McClaskie	D2/952
D670,897 S *	11/2012	McClaskie	D2/952
D674,174 S *	1/2013	McClaskie	D2/950
D674,175 S *	1/2013	McClaskie	D2/952
2012/0279089 A1 *	11/2012	Xu et al.	36/25 R

* cited by examiner

Primary Examiner — T. Chase Nelson

(74) *Attorney, Agent, or Firm* — IP Attorneys Group, LLC

(57) **CLAIM**

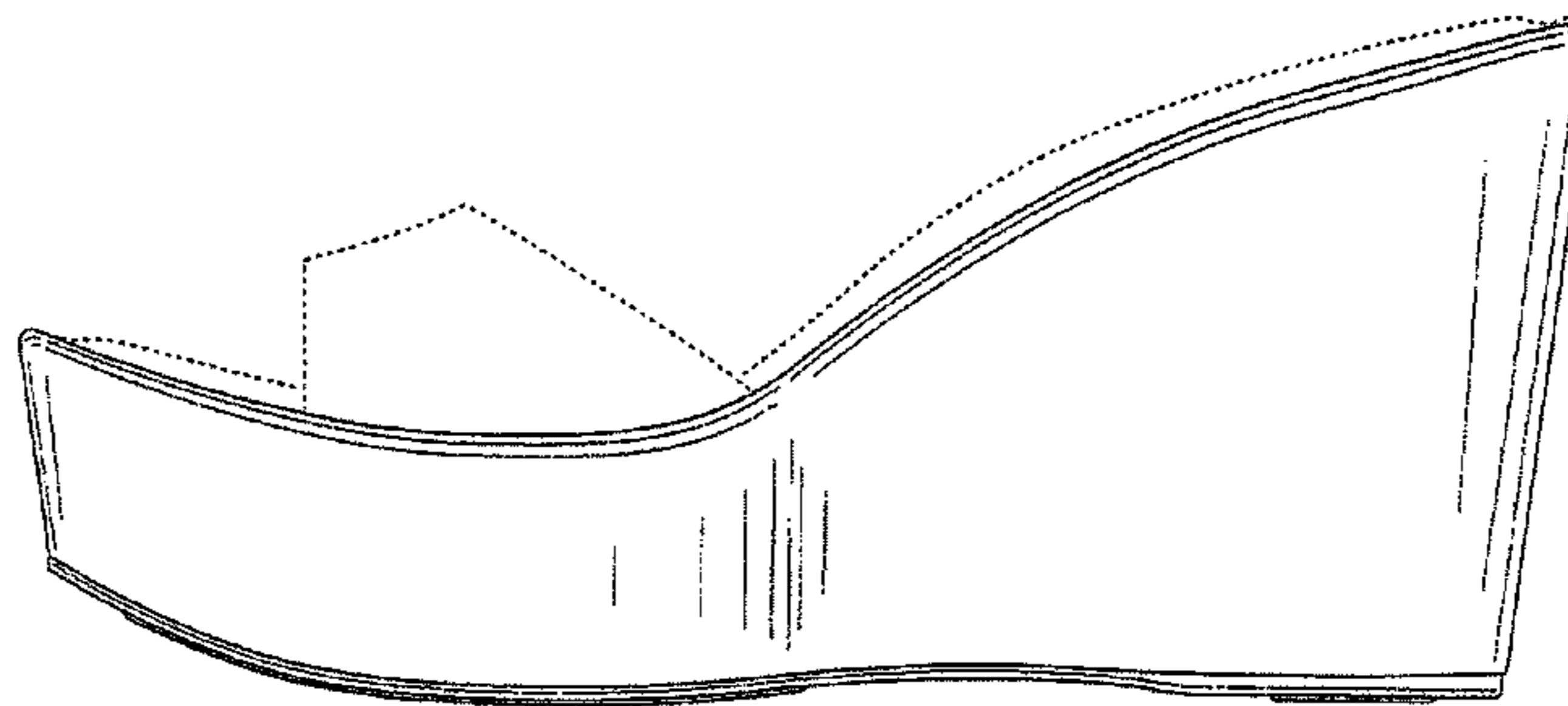
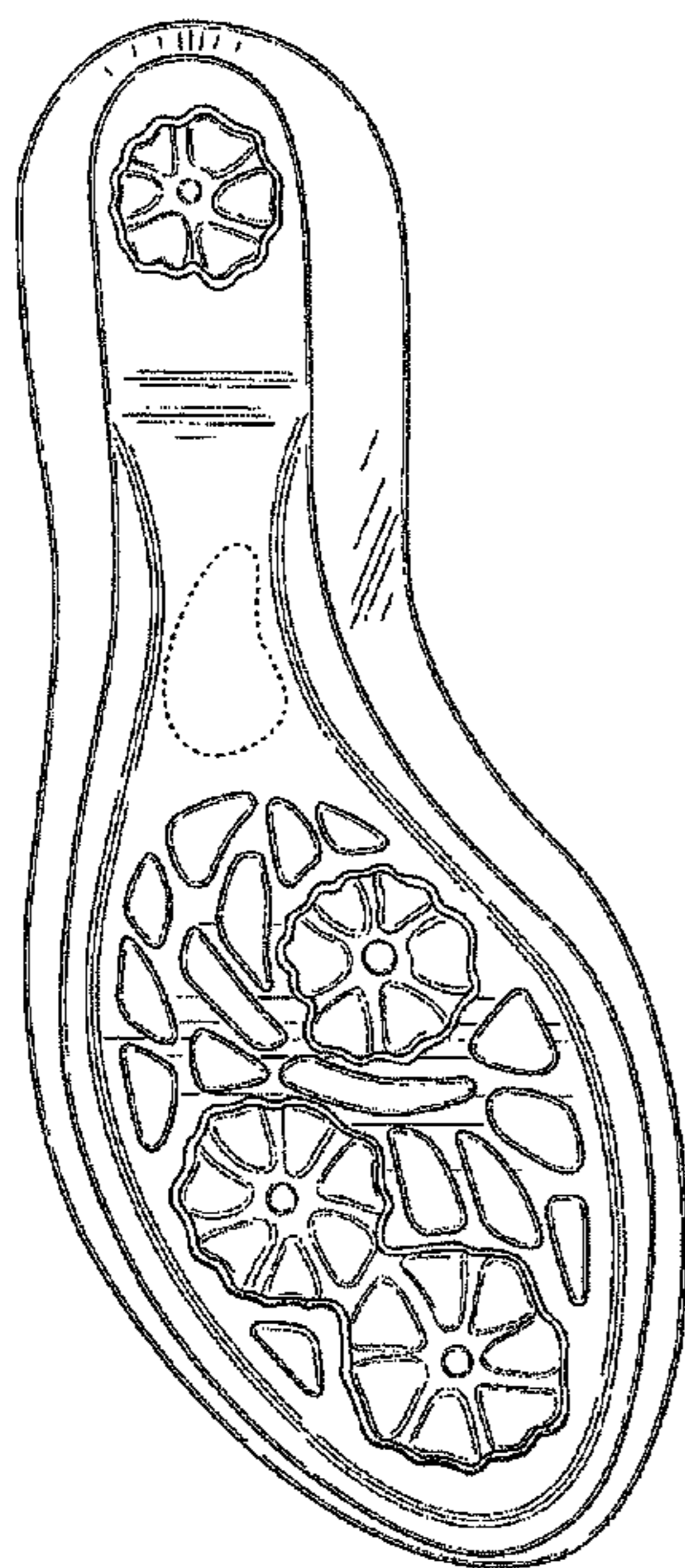
The ornamental design for an outsole for a shoe, as shown and described.

DESCRIPTION

FIG. 1 is a bottom perspective view of an outsole for a shoe in accordance with my new design;
 FIG. 2 is a top view thereof;
 FIG. 3 is a bottom view thereof;
 FIG. 4 is a right side view thereof;
 FIG. 5 is a left side view thereof;
 FIG. 6 is a front view thereof; and,
 FIG. 7 is a rear view thereof.

The broken lines shown in all of the figures are for environmental purposes and form no part of the claim. The broken lines shown on a face of the outsole in FIGS. 1 and 3 represent boundaries of the design with the lines themselves and the areas within them form no part of the claimed design.

1 Claim, 6 Drawing Sheets



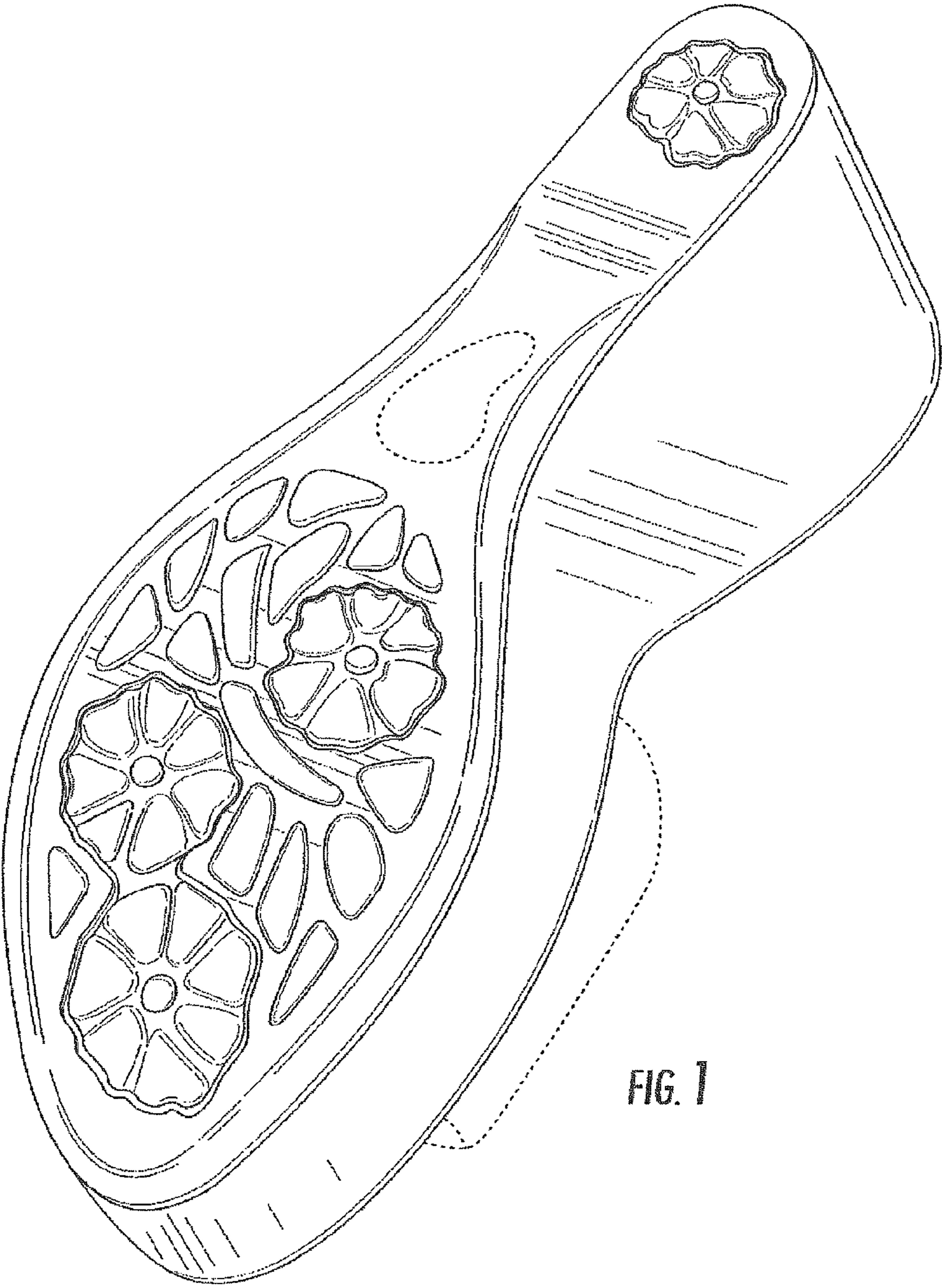


FIG. 1

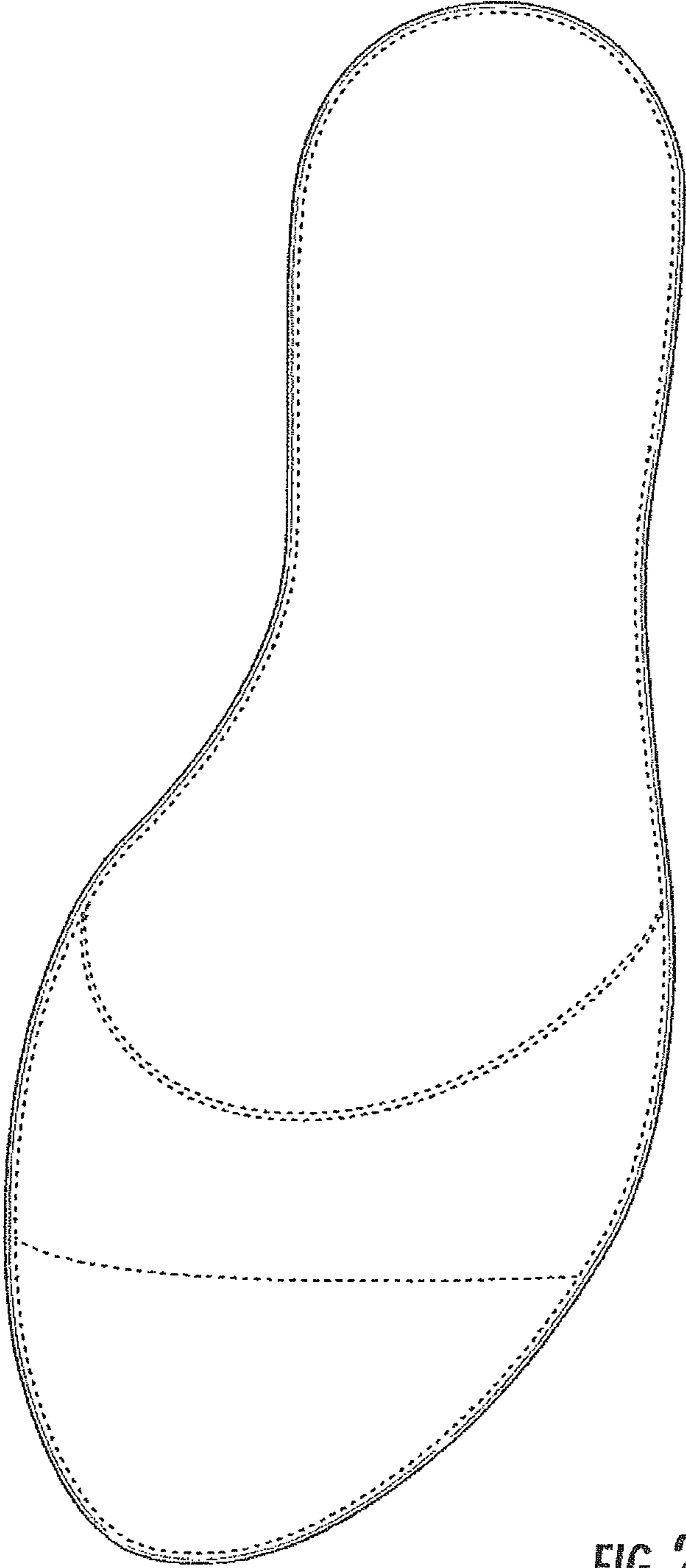


FIG. 2

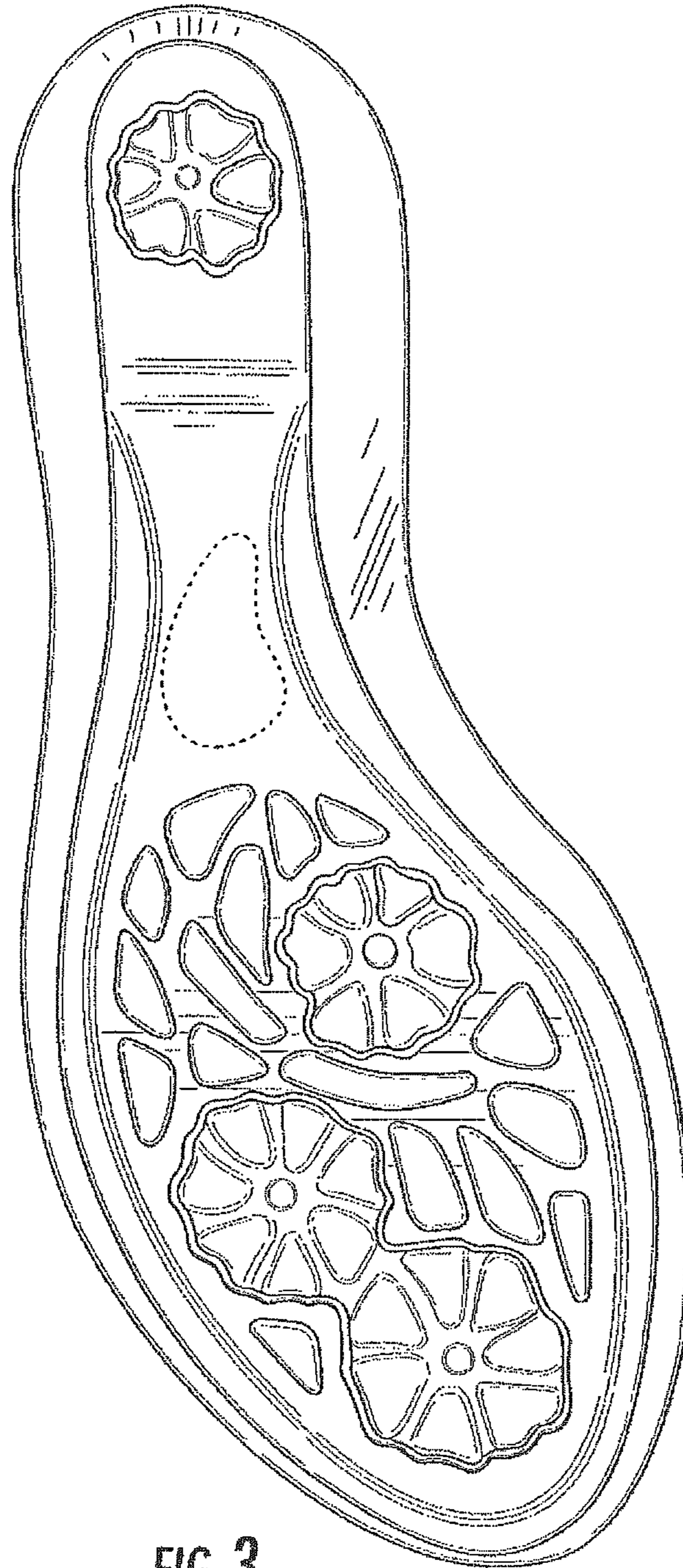


FIG. 3

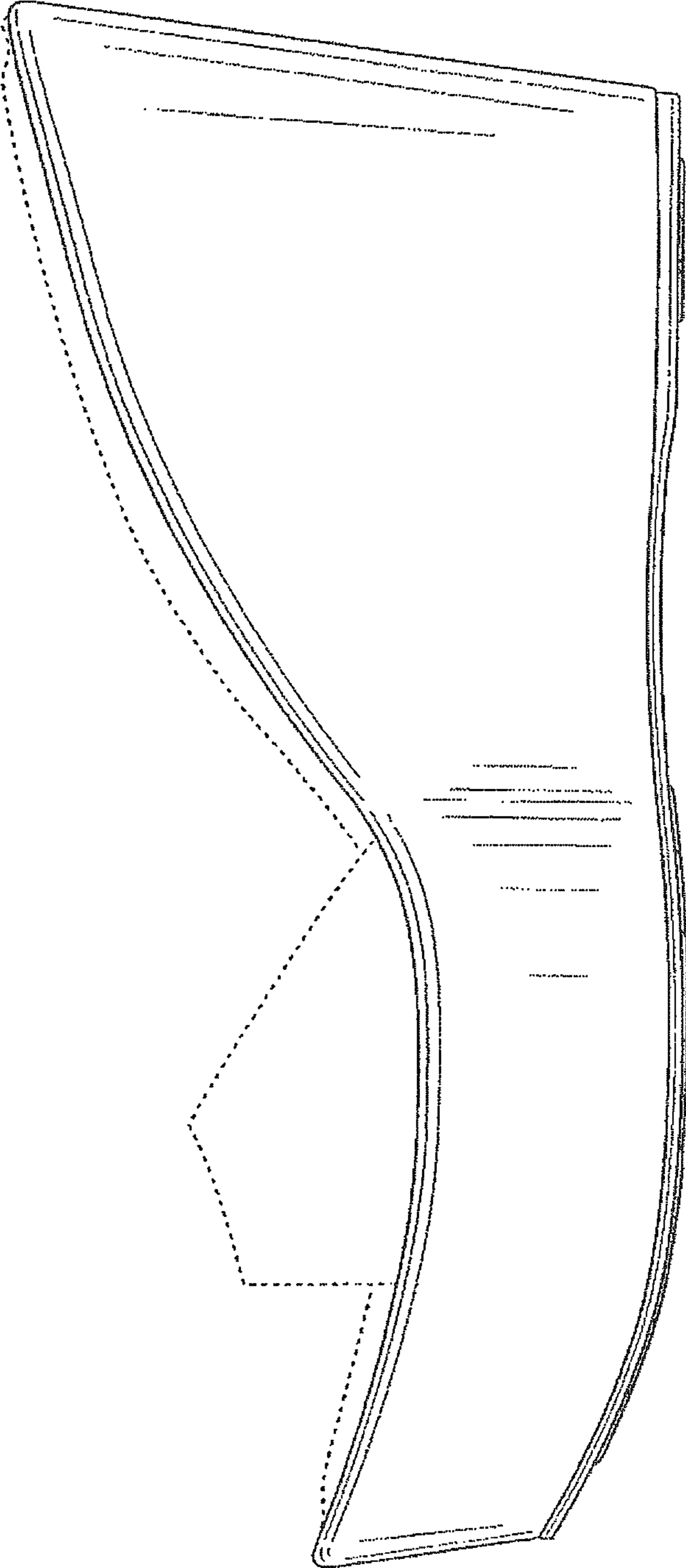


FIG. 4

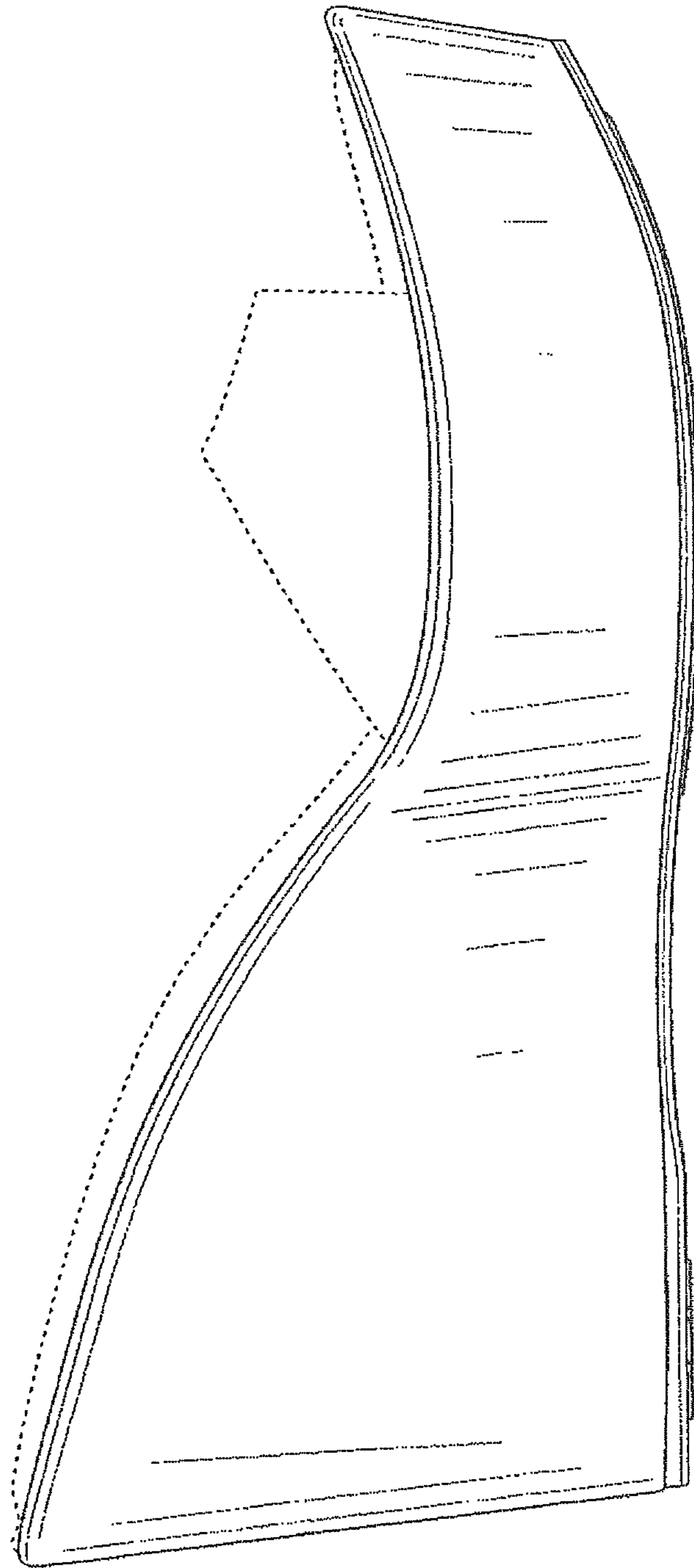


FIG. 5

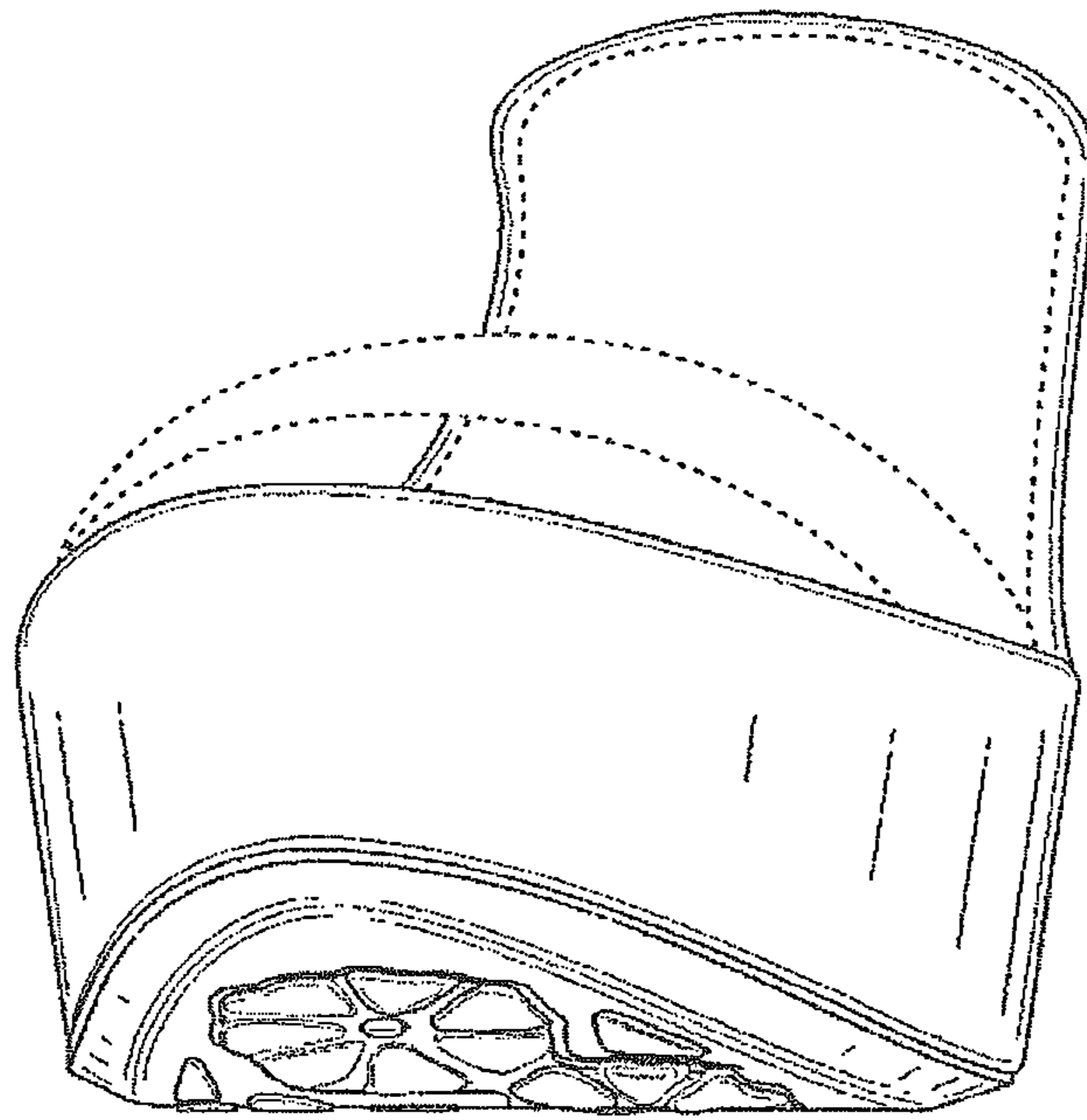


FIG. 6

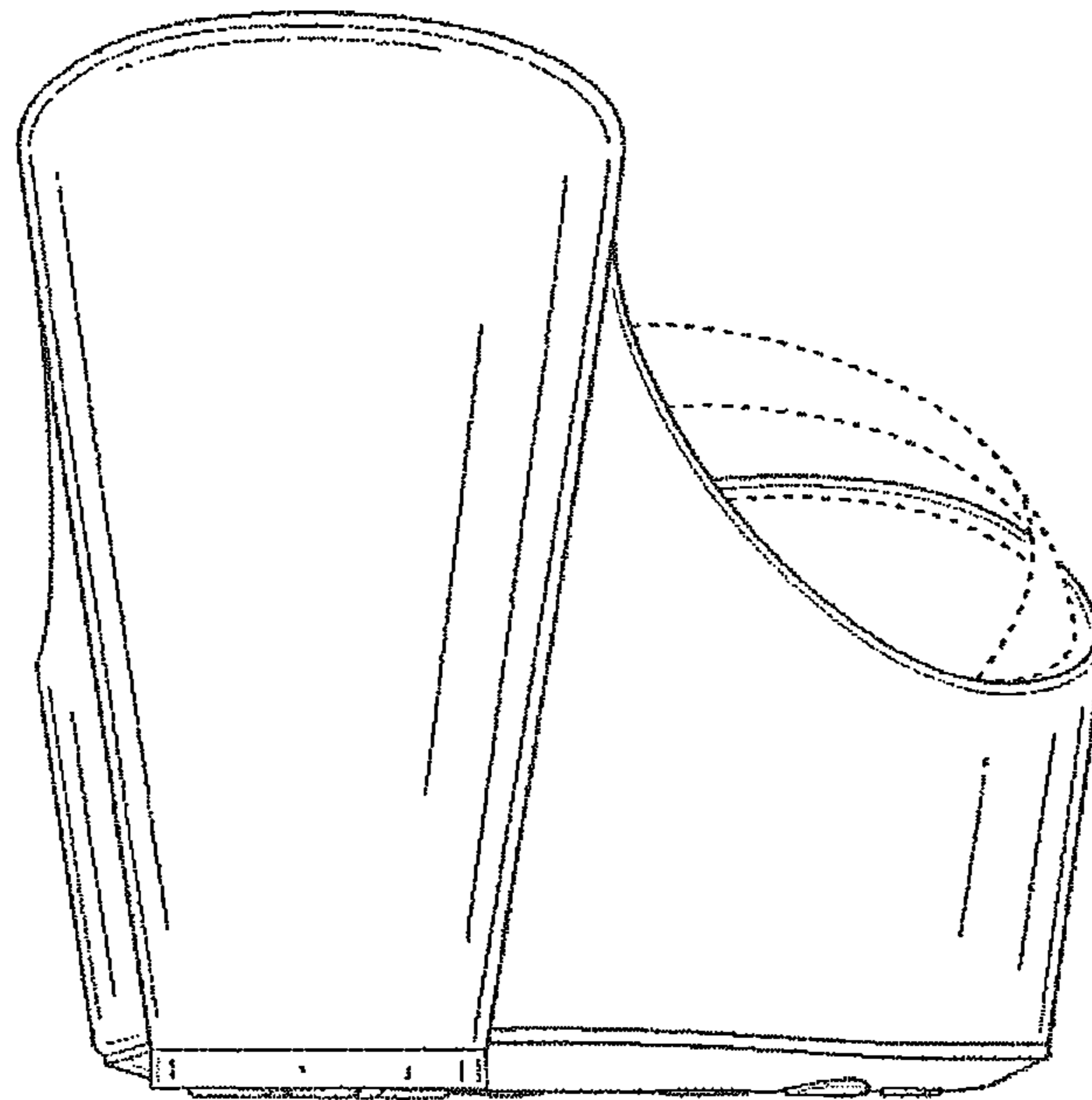


FIG. 7