



US00D697698S

(12) **United States Design Patent**  
**Langel**

(10) **Patent No.:** **US D697,698 S**

(45) **Date of Patent:** **\*\* Jan. 21, 2014**

(54) **CLEATED OVERSHOE**

(71) Applicant: **George R. Langel**, Fort Collins, CO  
(US)

(72) Inventor: **George R. Langel**, Fort Collins, CO  
(US)

(\*\*) Term: **14 Years**

(21) Appl. No.: **29/442,555**

(22) Filed: **Mar. 22, 2013**

(51) **LOC (10) Cl.** ..... **02-04**

(52) **U.S. Cl.**  
USPC ..... **D2/913; D2/906**

(58) **Field of Classification Search**  
USPC ..... D2/896, 901, 902, 906, 909, 910, 913,  
D2/914, 915, 948, 954, 962, 972;  
D24/192; 36/7.1 R, 113, 114, 126-130,  
36/132, 2 R, 1.5, 58.5, 69, 77 R, 7.3, 135  
See application file for complete search history.

(56) **References Cited**

**U.S. PATENT DOCUMENTS**

4,967,750 A \* 11/1990 Cherniak ..... 36/140  
D313,111 S \* 12/1990 McKinstry ..... D2/962

D356,436 S \* 3/1995 Sutton et al. .... D2/914  
D359,612 S \* 6/1995 Dykstra ..... D2/914  
D368,359 S \* 4/1996 O'Grady ..... D2/962  
5,699,629 A \* 12/1997 Munschy ..... 36/97  
D397,542 S \* 9/1998 Bradshaw ..... D2/914  
D454,640 S \* 3/2002 Darby ..... D24/192

\* cited by examiner

*Primary Examiner* — Robert M Spear

*Assistant Examiner* — Rashida C McCoy

(74) *Attorney, Agent, or Firm* — William E. Hein

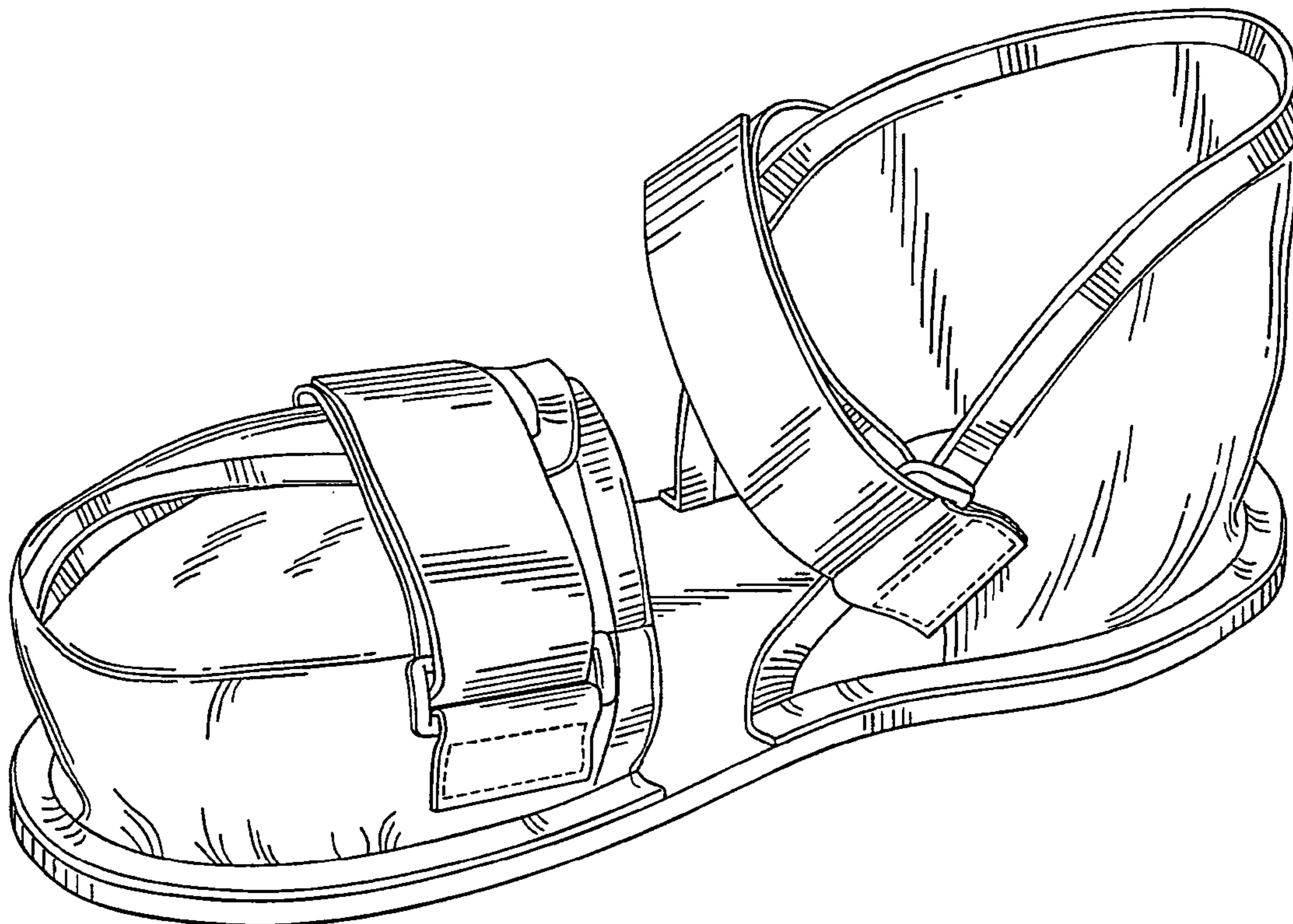
(57) **CLAIM**

The ornamental design for a cleated overshoe, as shown and described.

**DESCRIPTION**

FIG. 1 is a perspective view of a cleated overshoe showing my new design;  
FIG. 2 is a front elevation view;  
FIG. 3 is a rear elevation view;  
FIG. 4 is a top plan view;  
FIG. 5 is a bottom plan view;  
FIG. 6 is a right side elevation view; and,  
FIG. 7 is a left side elevation view.

**1 Claim, 3 Drawing Sheets**



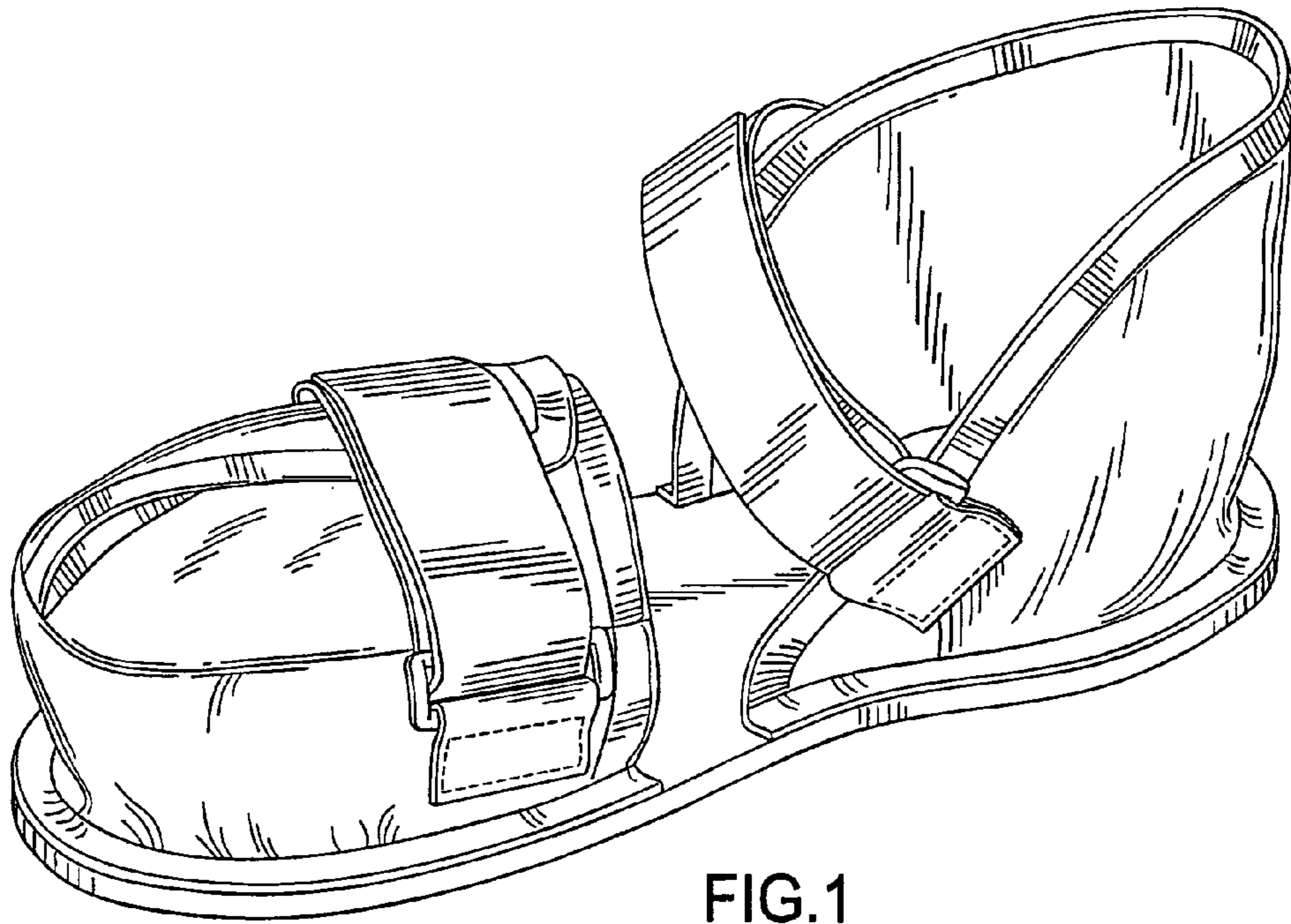


FIG.1

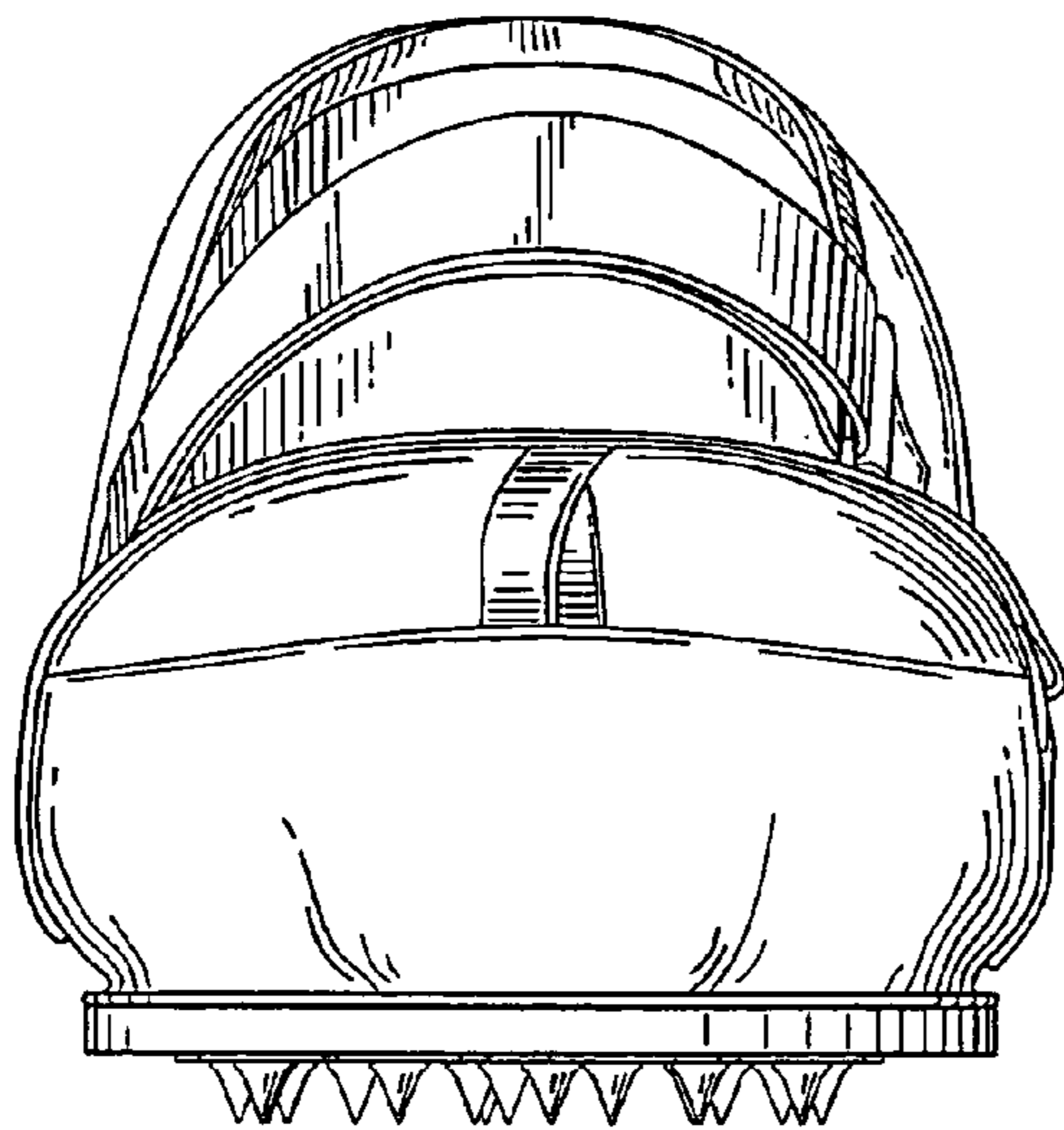


FIG.2

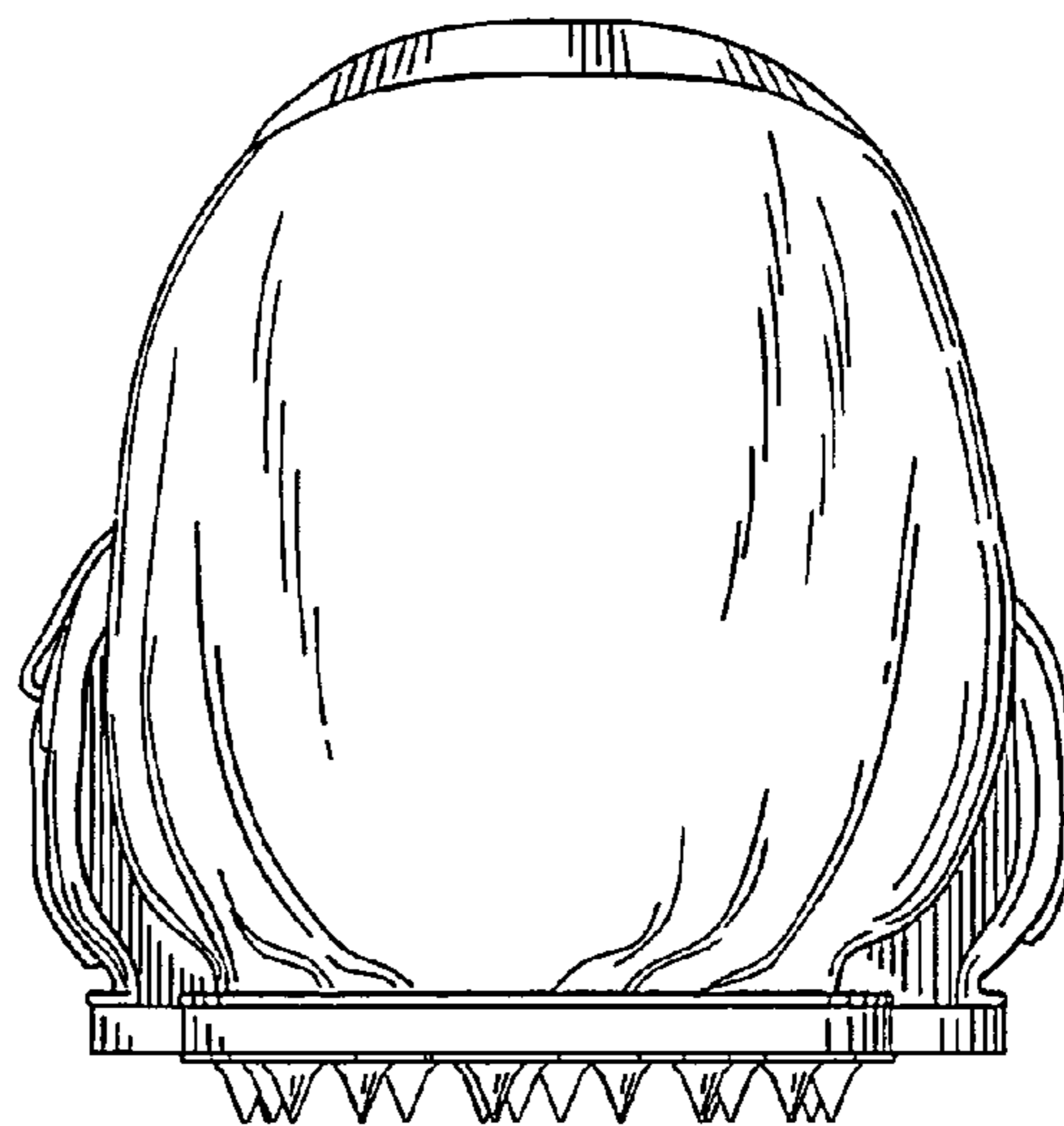


FIG.3

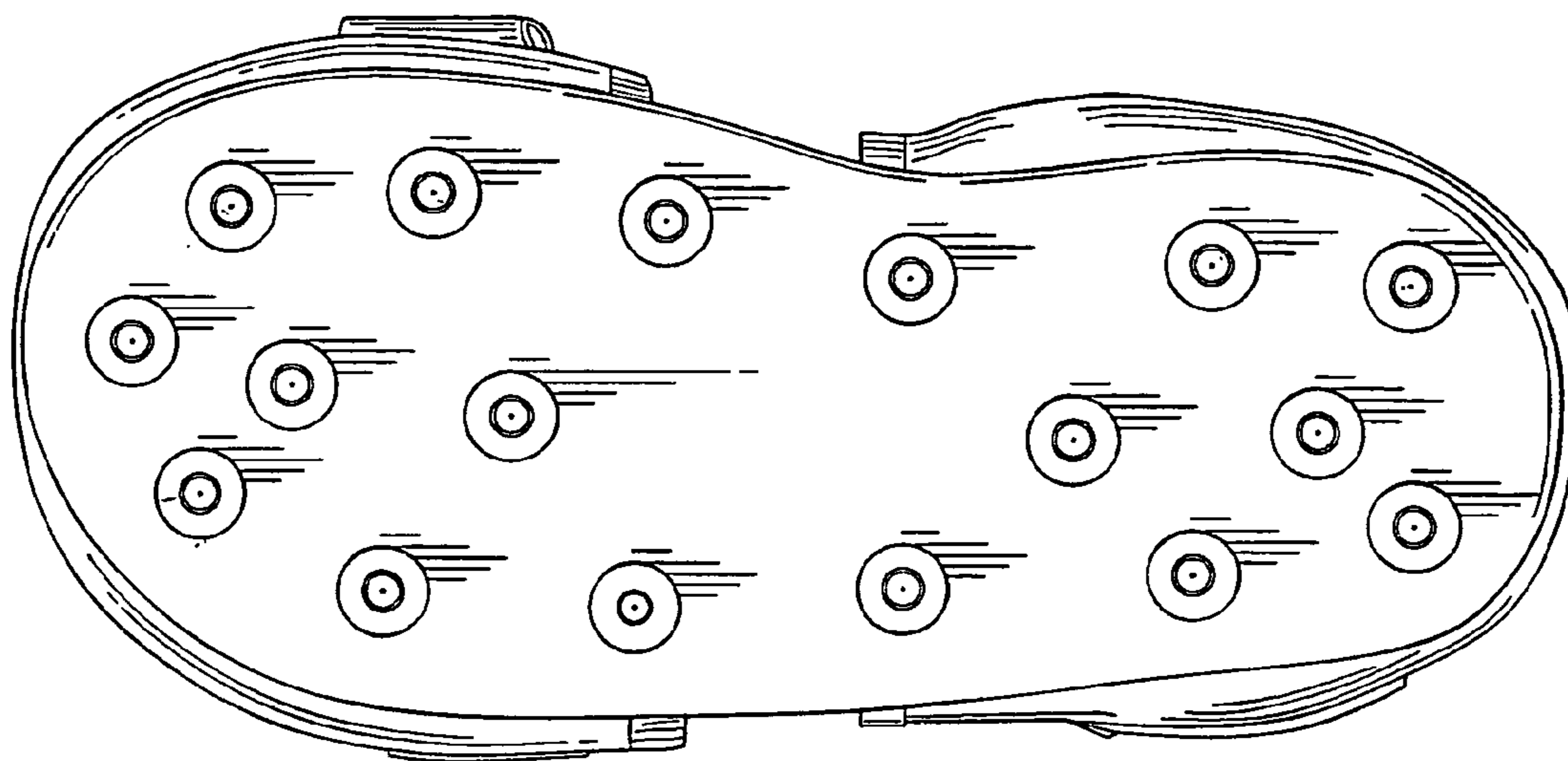


FIG. 5

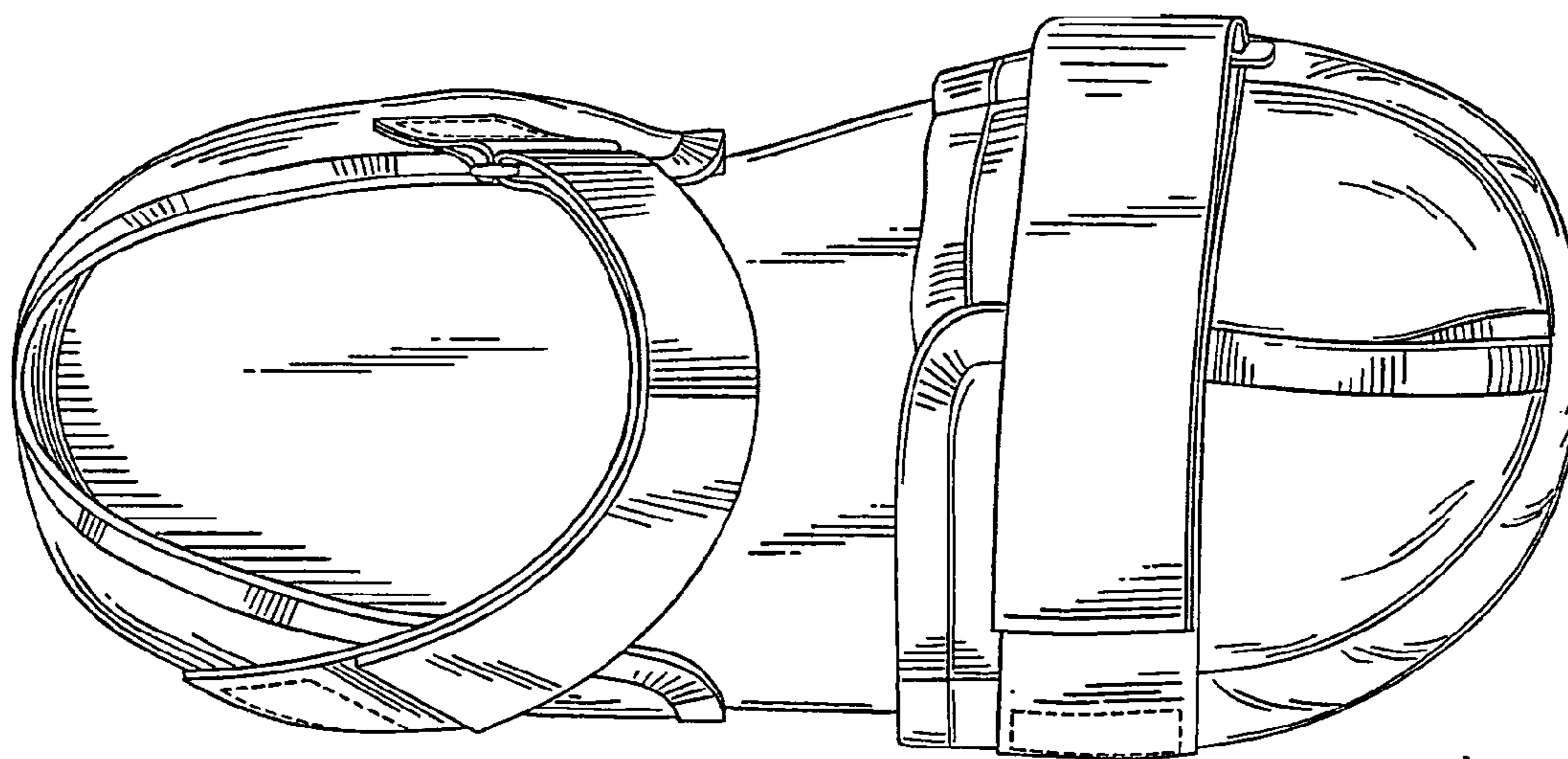


FIG. 4

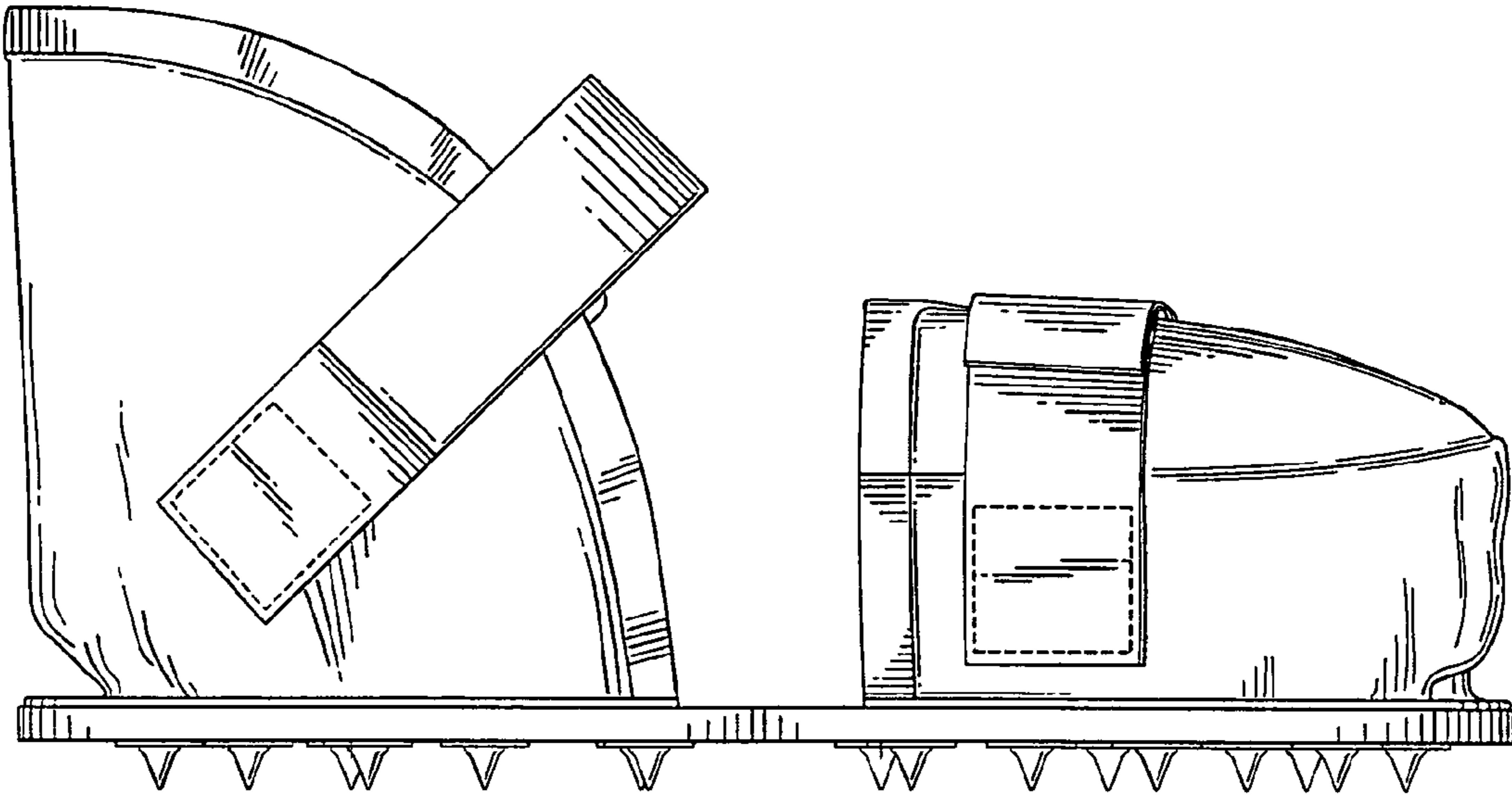


FIG. 6

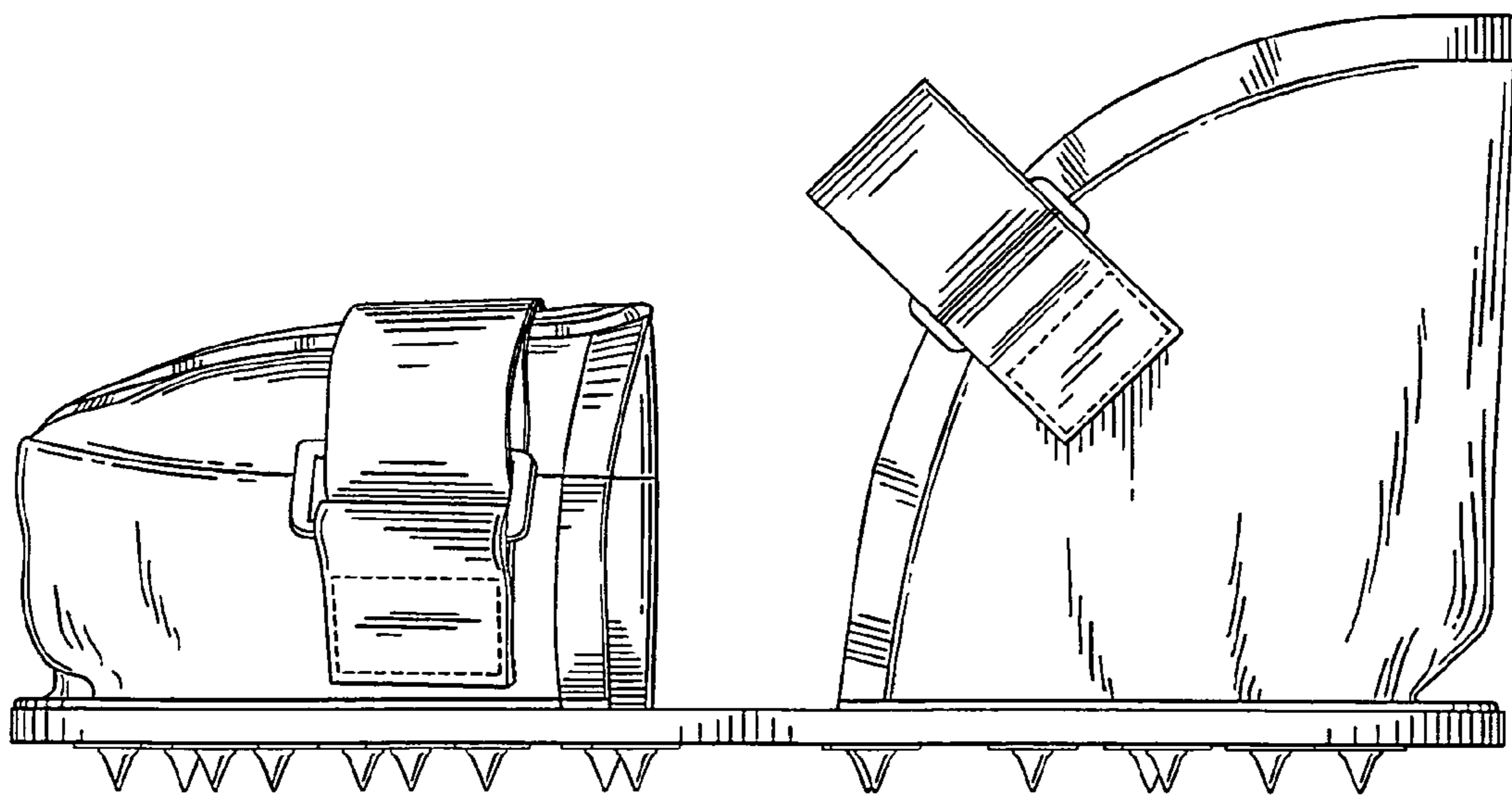


FIG. 7