



US00D697685S

(12) **United States Design Patent**
Maddux

(10) **Patent No.:** **US D697,685 S**
(45) **Date of Patent:** **** Jan. 14, 2014**

(54) **FOOD SERVICE CART**

(71) Applicant: **Cambro Manufacturing Company,**
Huntington Beach, CA (US)

(72) Inventor: **Larry Maddux,** Westminster, CA (US)

(73) Assignee: **Cambro Manufacturing Co.,**
Huntington Beach, CA (US)

(**) Term: **14 Years**

(21) Appl. No.: **29/440,119**

(22) Filed: **Dec. 19, 2012**

(51) **LOC (10) Cl.** **12-02**

(52) **U.S. Cl.**
USPC **D34/19**

(58) **Field of Classification Search**
USPC D34/12-27; 280/47.35, 79.11, 79.3;
D6/653, 653.1, 655, 655.1
See application file for complete search history.

(56) **References Cited**

U.S. PATENT DOCUMENTS

D232,166 S * 7/1974 Salsgiver D34/19
D323,051 S * 1/1992 Baggott D34/19
D355,517 S * 2/1995 Campbell et al. D34/20

D391,032 S * 2/1998 Delmerico D34/21
D411,044 S * 6/1999 Maddux et al. D34/20
D411,678 S * 6/1999 Di Paolo D34/21
D425,279 S * 5/2000 Houry et al. D34/20
D535,452 S * 1/2007 Lim et al. D34/19
D559,496 S * 1/2008 Zorzo D34/17
D621,569 S * 8/2010 Linnell, Jr. D34/19
D653,010 S * 1/2012 Shen et al. D34/19
D671,703 S * 11/2012 Guasta et al. D34/19

* cited by examiner

Primary Examiner — Cynthia Ramirez

(74) *Attorney, Agent, or Firm* — George F. Bethel

(57) **CLAIM**

I claim the ornamental design for a food service cart, as shown and described.

DESCRIPTION

FIG. 1 shows a front right perspective view of the food service cart.

FIG. 2 shows a front elevation view.

FIG. 3 shows a right side elevation view.

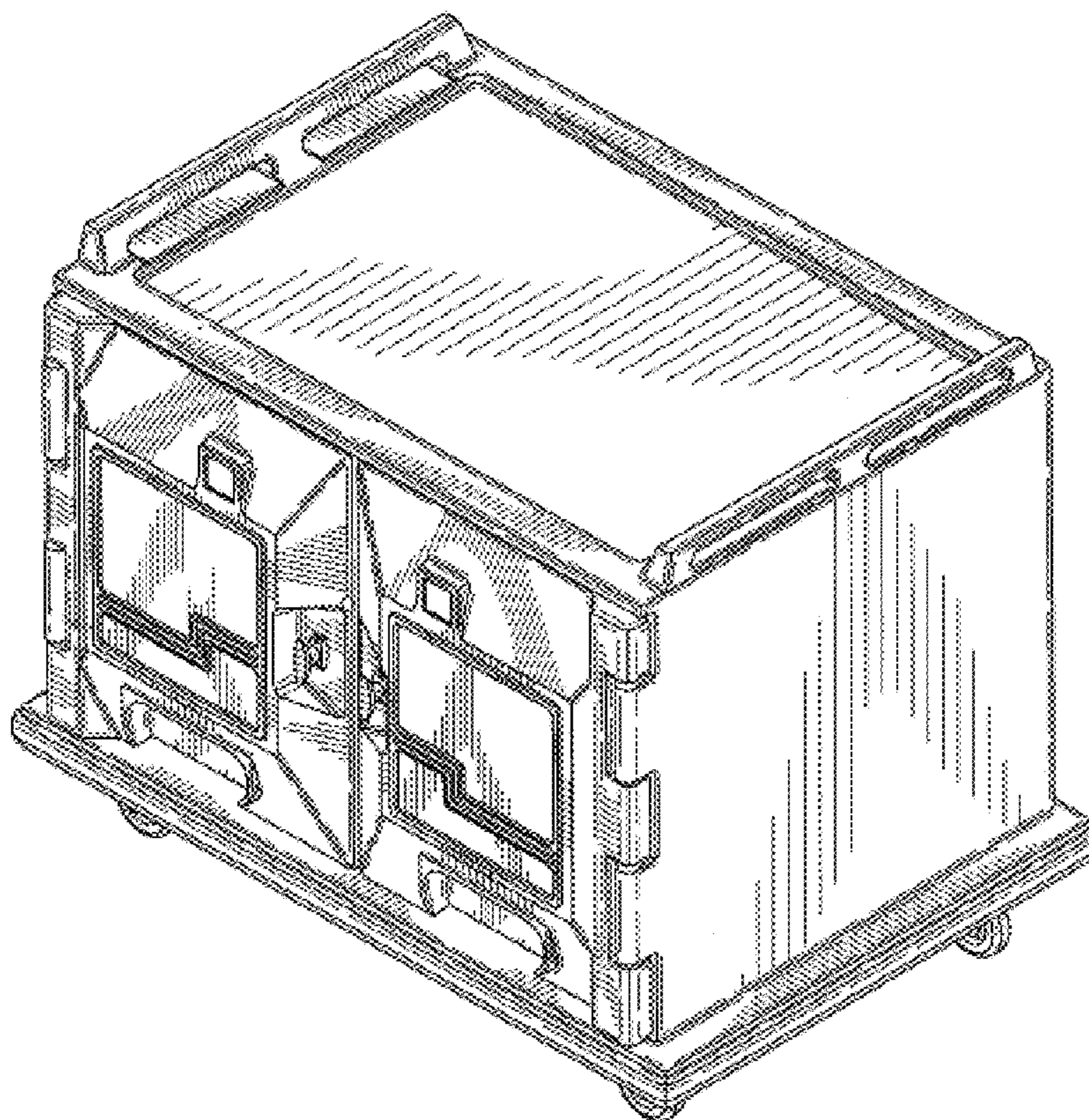
FIG. 4 shows a left side elevation view.

FIG. 5 shows a top plan view.

FIG. 6 shows a rear elevation view; and,

FIG. 7 shows a bottom plan view of the food service cart.

1 Claim, 4 Drawing Sheets



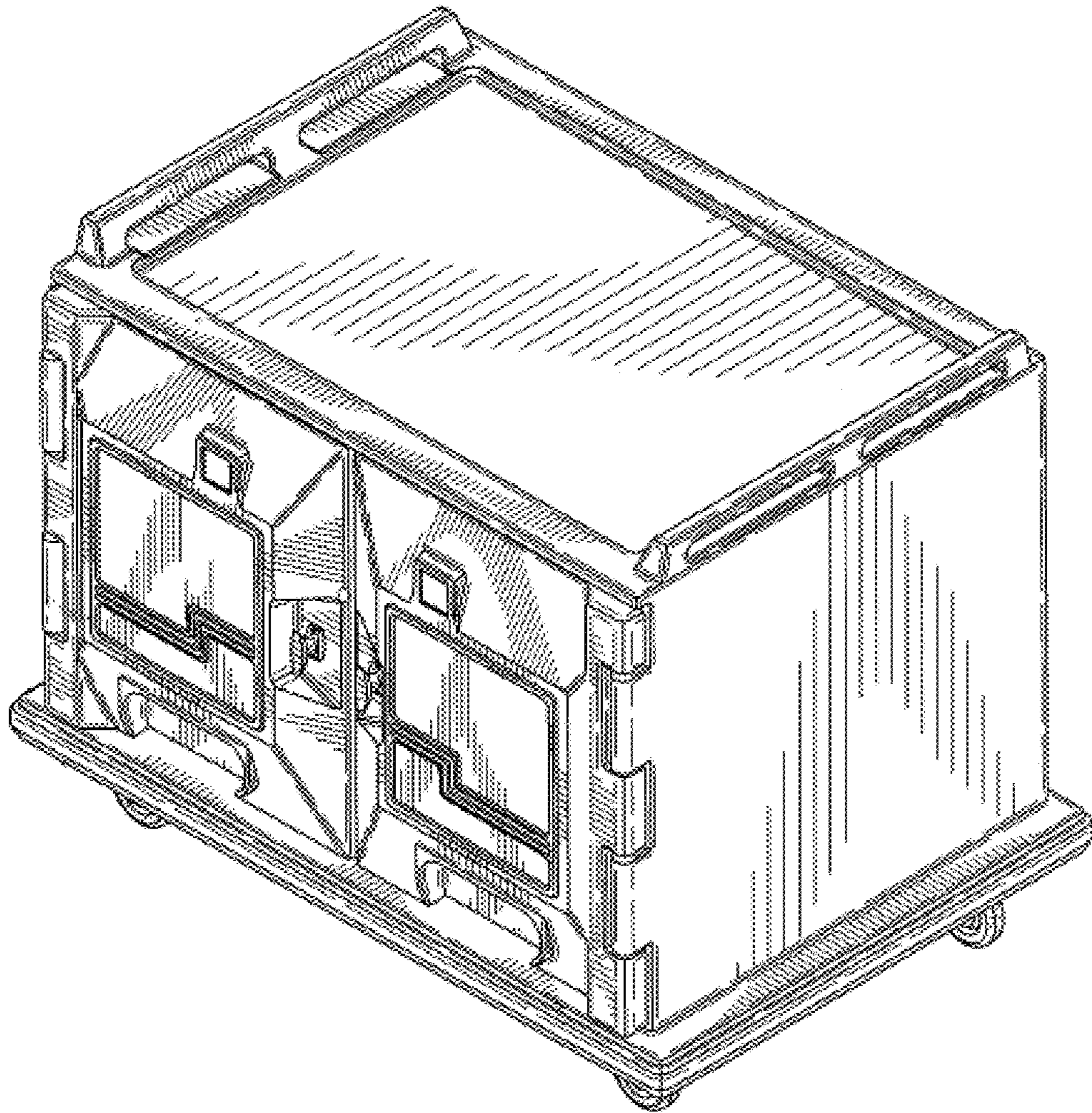


FIG. 1

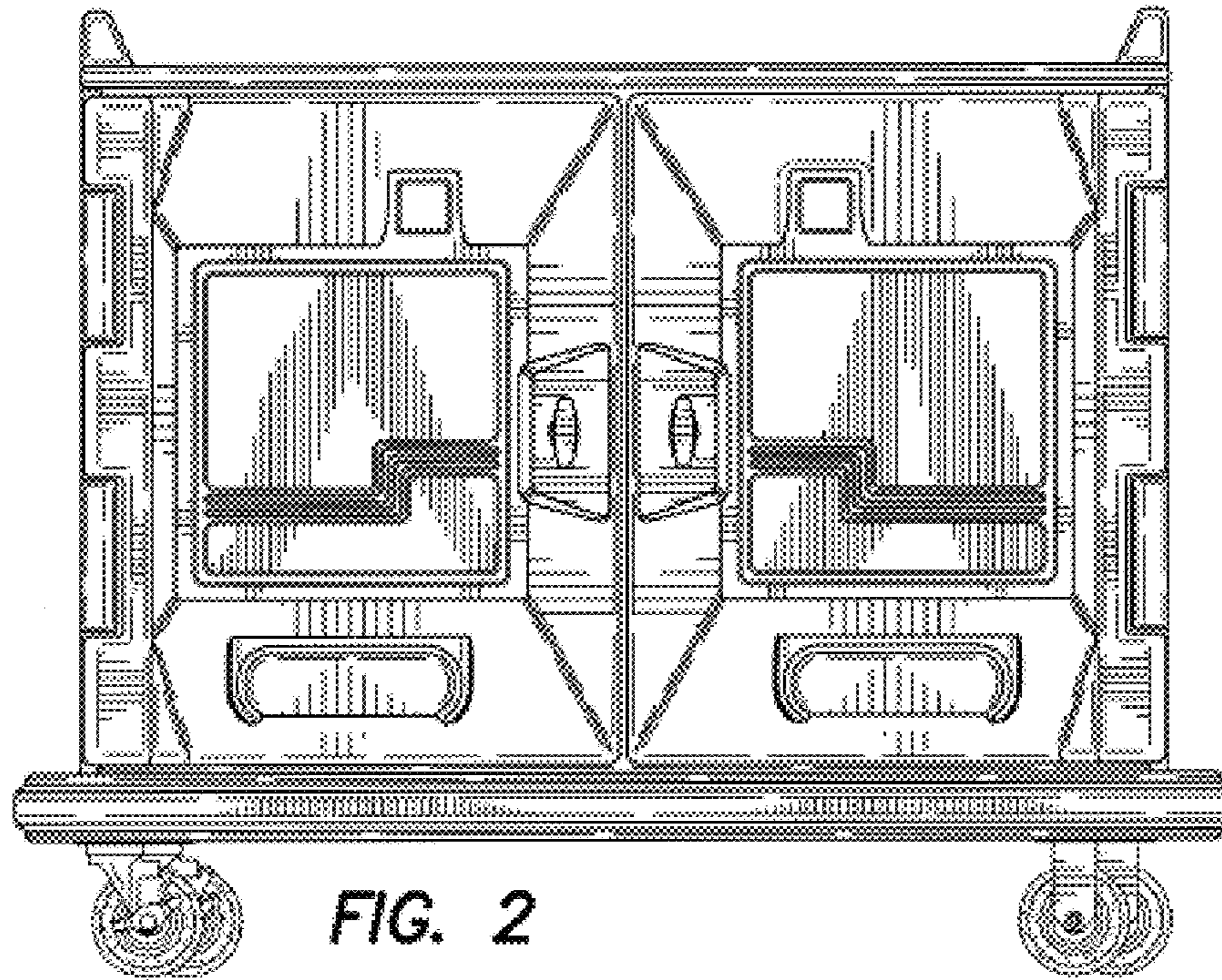


FIG. 2

FIG. 5

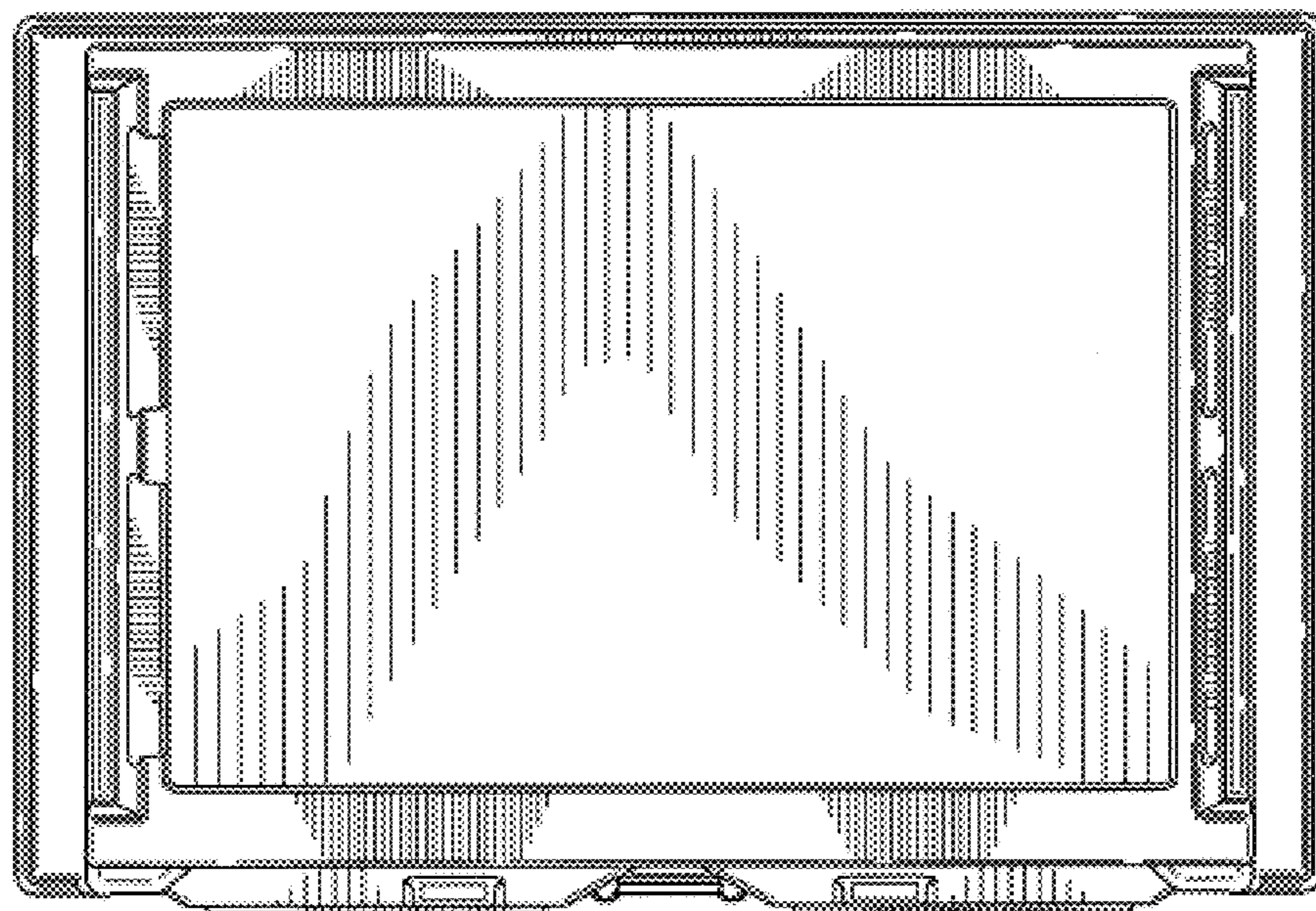


FIG. 3

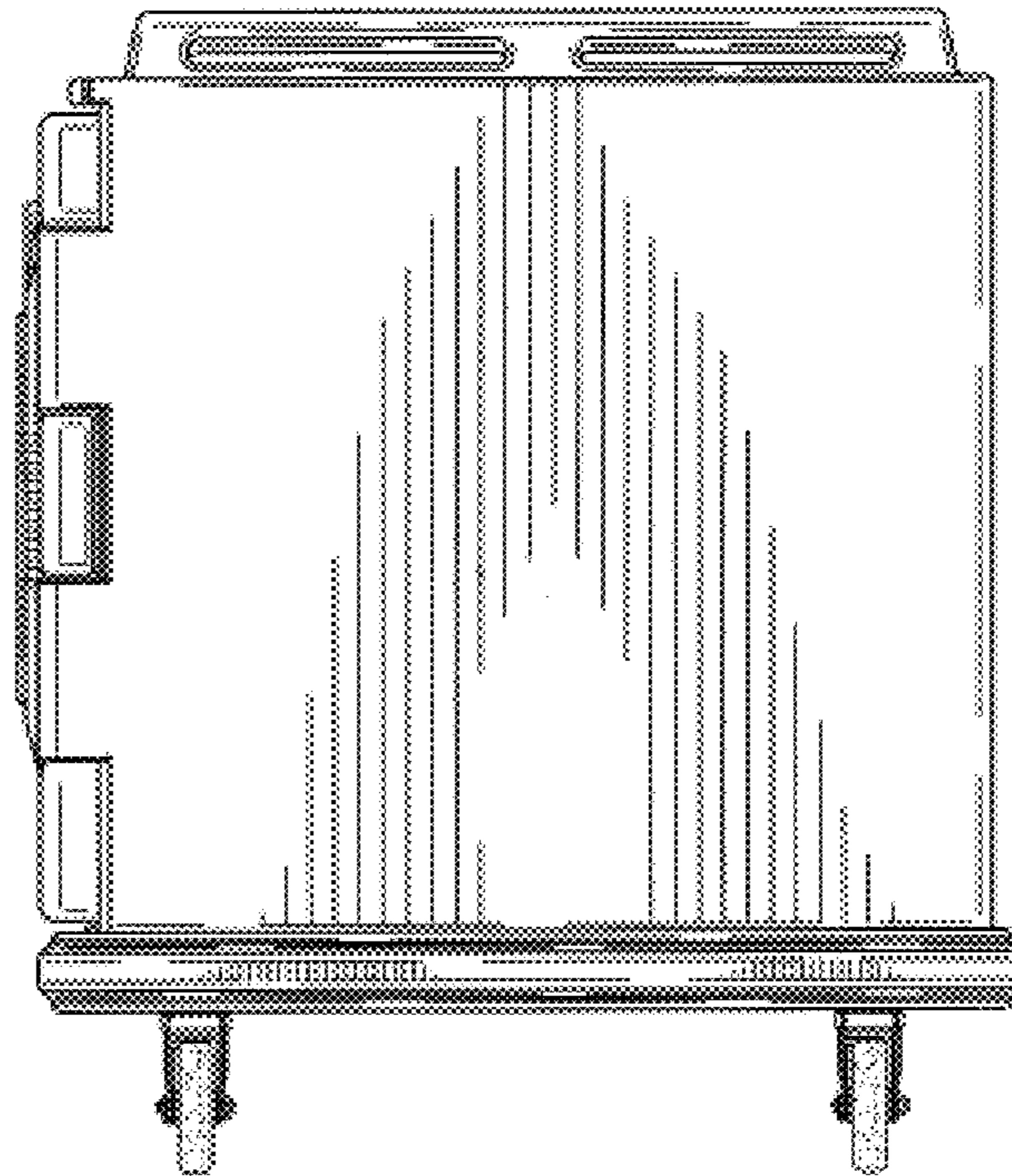
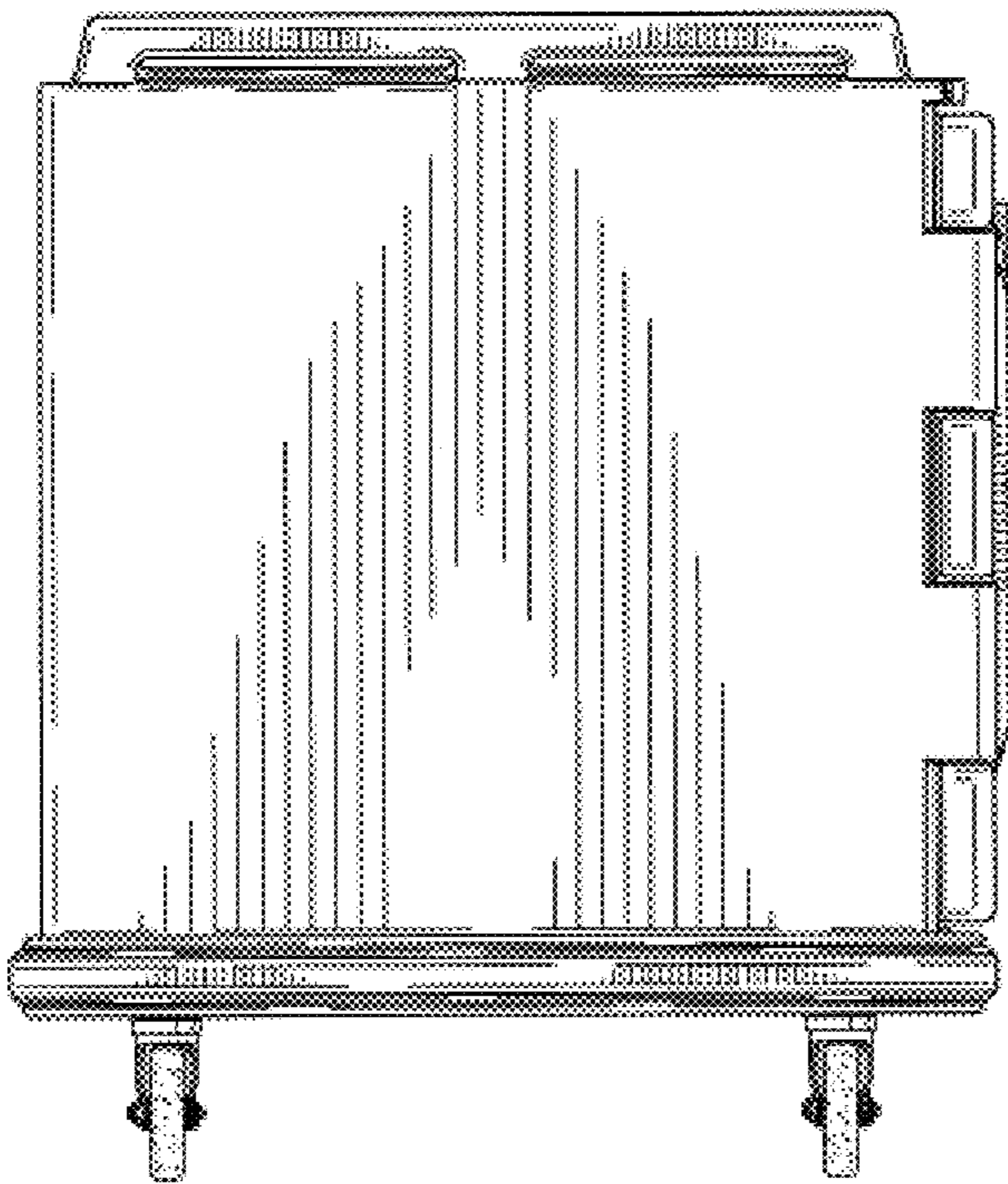


FIG. 4



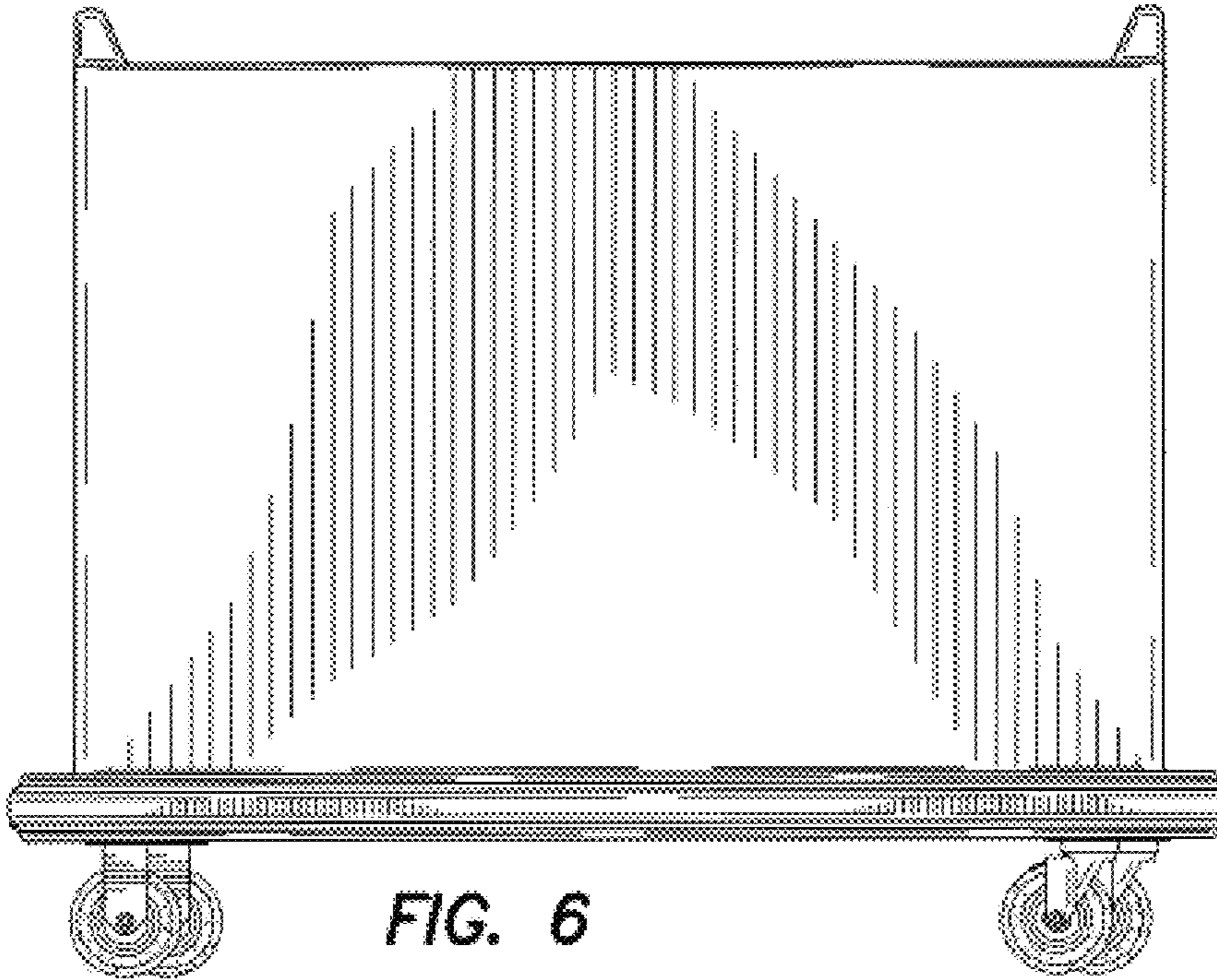


FIG. 6

FIG. 7

