



US00D697683S

(12) **United States Design Patent**
du Toit

(10) **Patent No.:** **US D697,683 S**
(45) **Date of Patent:** **** Jan. 14, 2014**

(54) **GOLF TROLLEY**

(76) Inventor: **Arnold du Toit**, London (GB)

(**) Term: **14 Years**

(21) Appl. No.: **29/415,265**

(22) Filed: **Mar. 8, 2012**

(30) **Foreign Application Priority Data**

Sep. 9, 2011 (EM) 001915000

(51) **LOC (10) Cl.** **12-13**

(52) **U.S. Cl.**
USPC **D34/15**

(58) **Field of Classification Search**
USPC D34/12-27; 280/DIG. 5, DIG. 6, 47.18,
280/47.19, 47.26, 47.27, 47.34, 5.32, 654,
280/79.11, 79.3
See application file for complete search history.

(56) **References Cited**

U.S. PATENT DOCUMENTS

D206,116 S * 11/1966 Huges D34/14
4,874,055 A * 10/1989 Beer 180/19.2

7,086,491 B2 * 8/2006 Matte 180/65.1
D596,821 S * 7/2009 Reimers et al. D34/15
7,631,715 B2 * 12/2009 Falkiner 180/215
D632,448 S * 2/2011 Simko et al. D34/12
D657,524 S * 4/2012 Liao D34/15

* cited by examiner

Primary Examiner — Cynthia Ramirez

(74) *Attorney, Agent, or Firm* — Marian J. Furst

(57) **CLAIM**

The ornamental design for a golf trolley, as shown and described.

DESCRIPTION

FIG. 1 is an isometric view of a golf trolley;
FIG. 2 is a left side elevation of the golf trolley of FIG. 1;
FIG. 3 is a right side elevation of the golf trolley of FIG. 1;
FIG. 4 is a front elevation of the golf trolley of FIG. 1;
FIG. 5 is rear elevation of the golf trolley of FIG. 1;
FIG. 6 is a top plan view of the golf trolley of FIG. 1; and,
FIG. 7 is an underneath plan view of the golf trolley of FIG. 1.

1 Claim, 7 Drawing Sheets



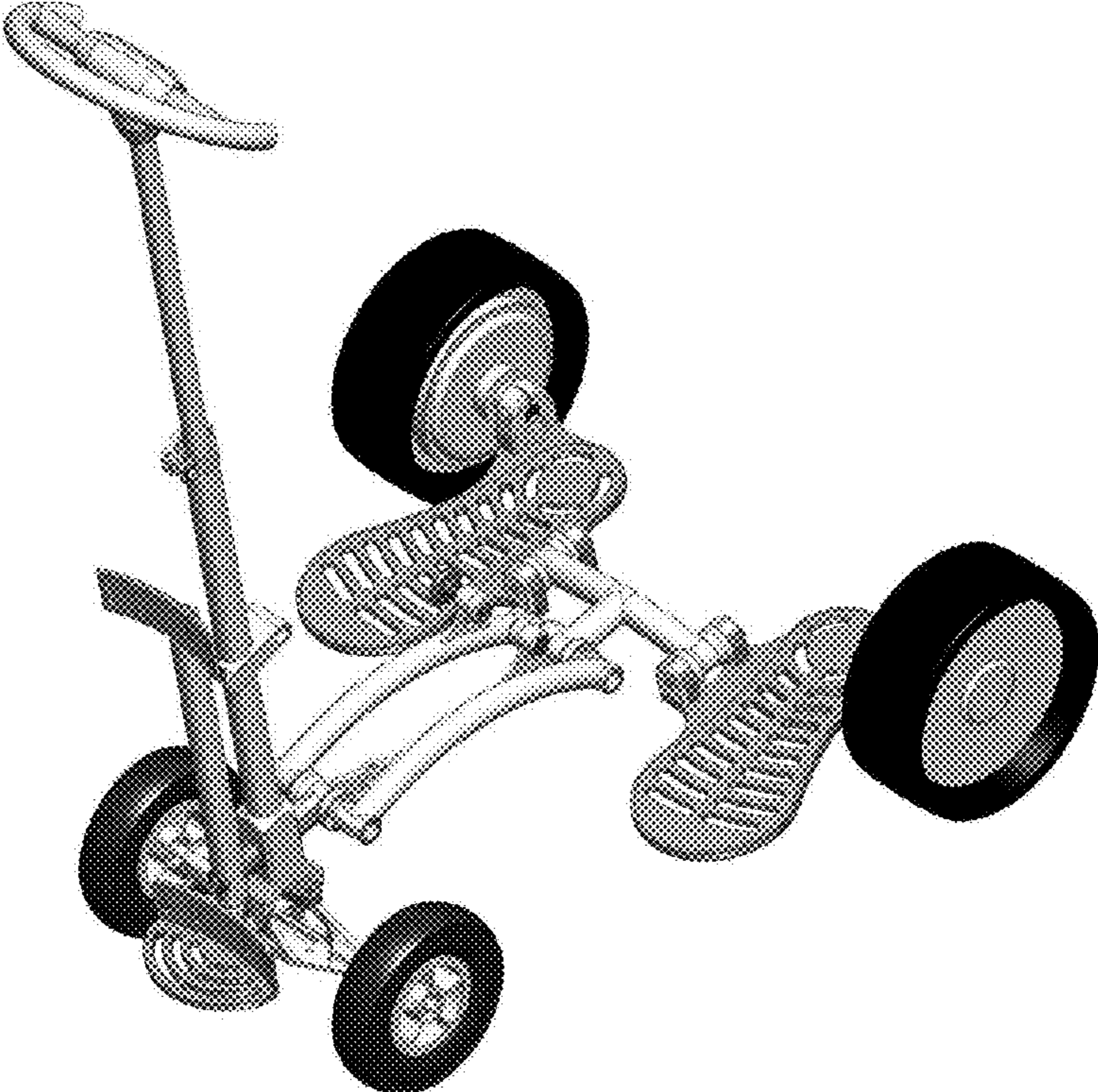


Fig. 1



Fig. 2

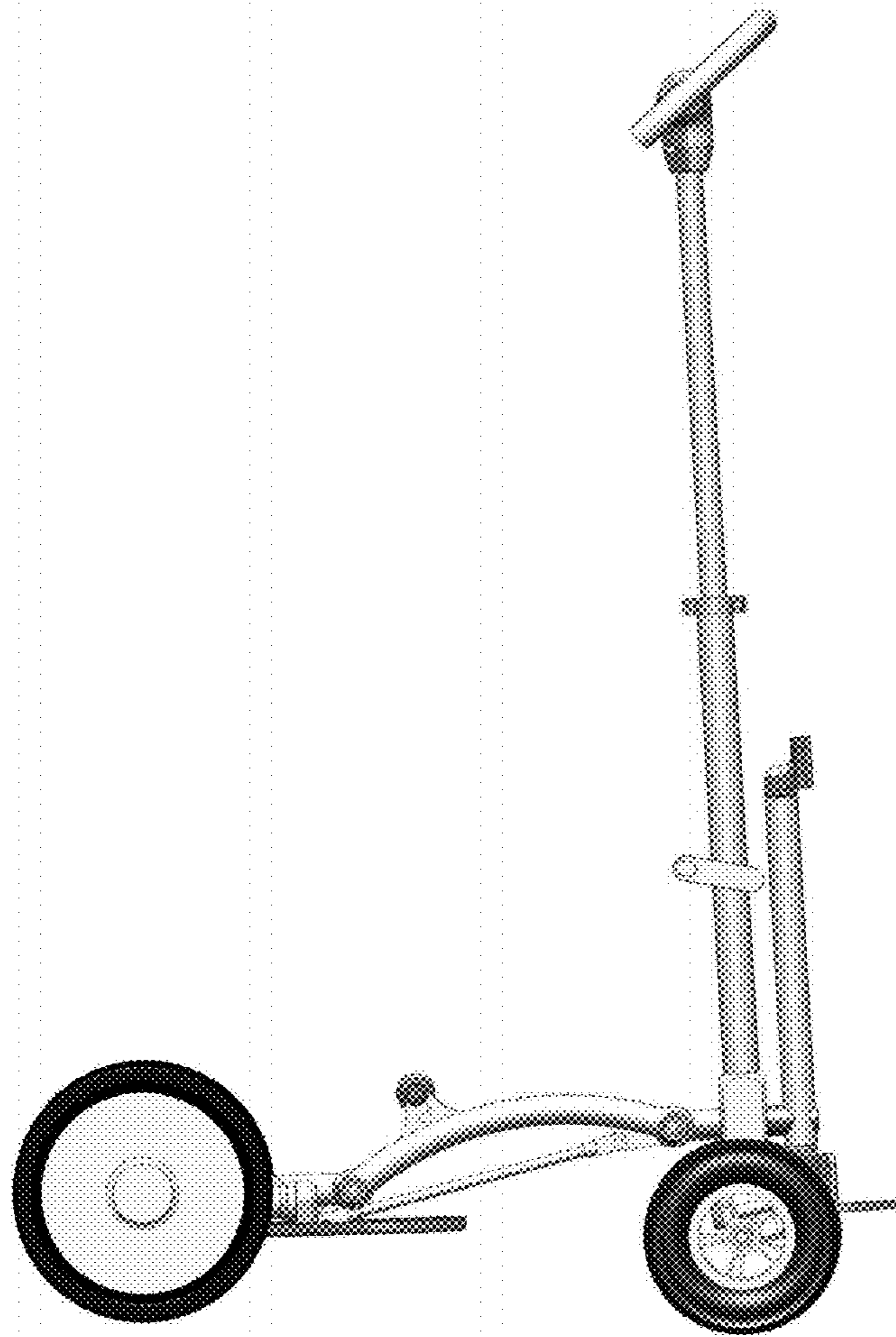


Fig. 3

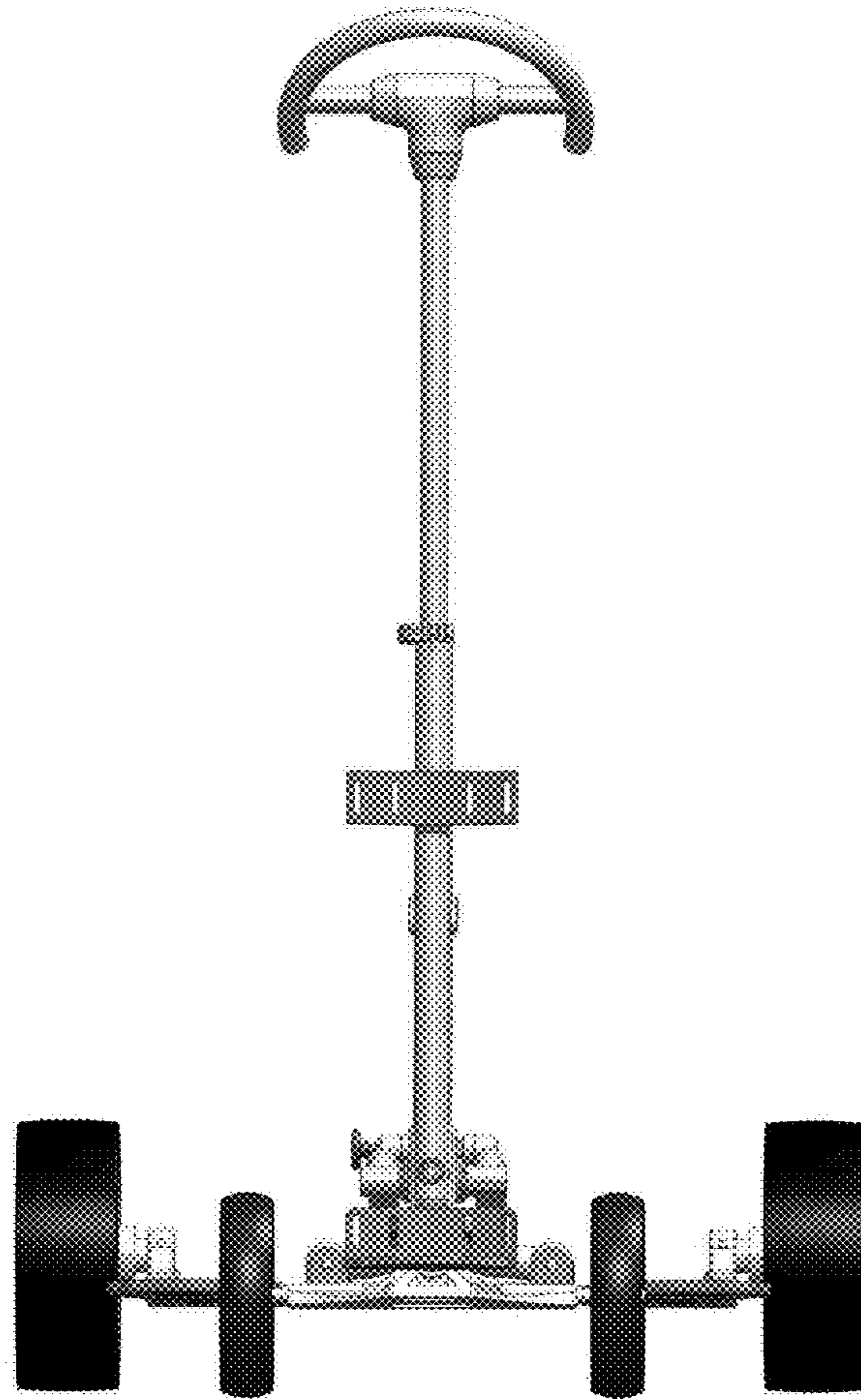


Fig. 4

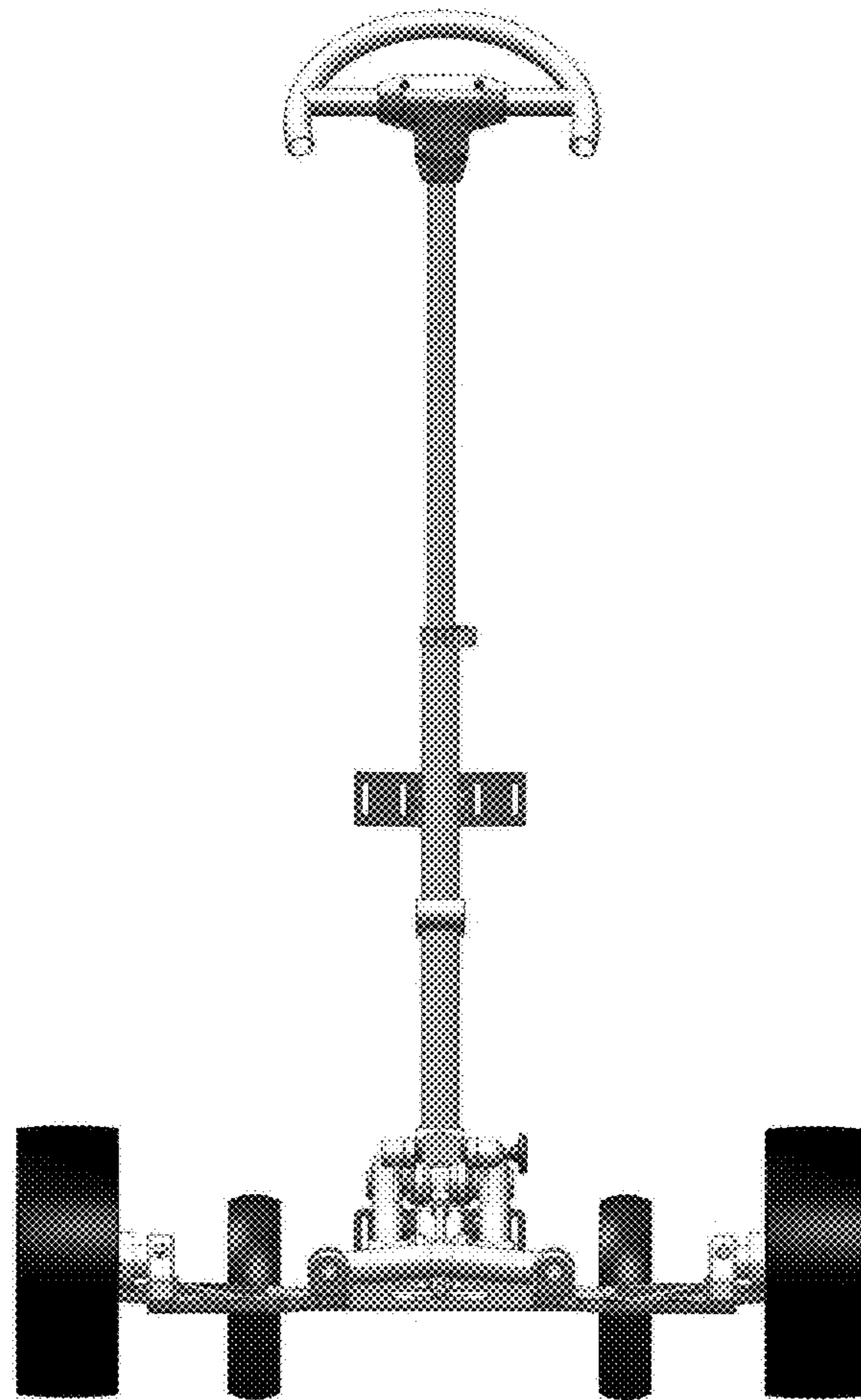


Fig. 5

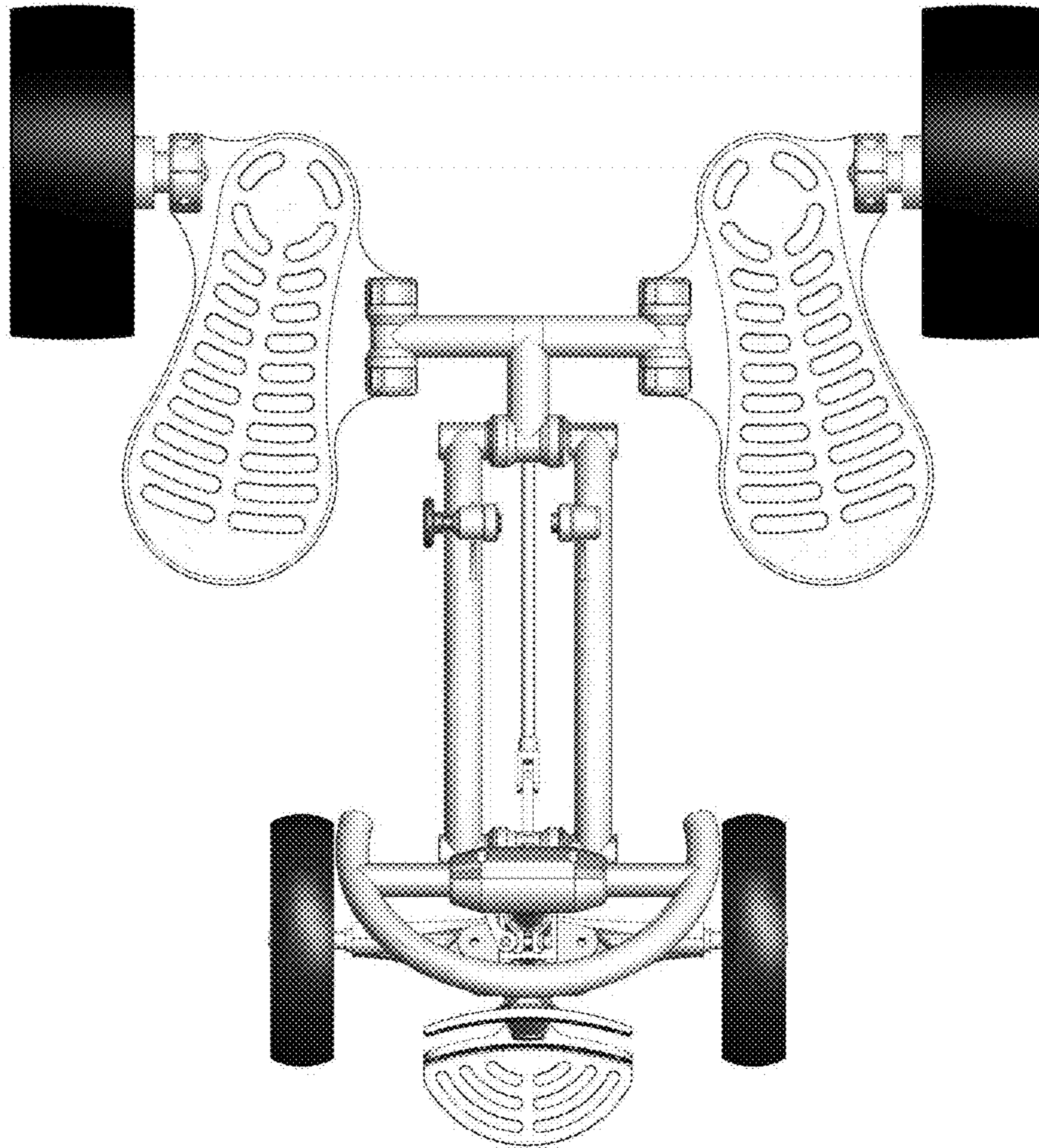


Fig. 6

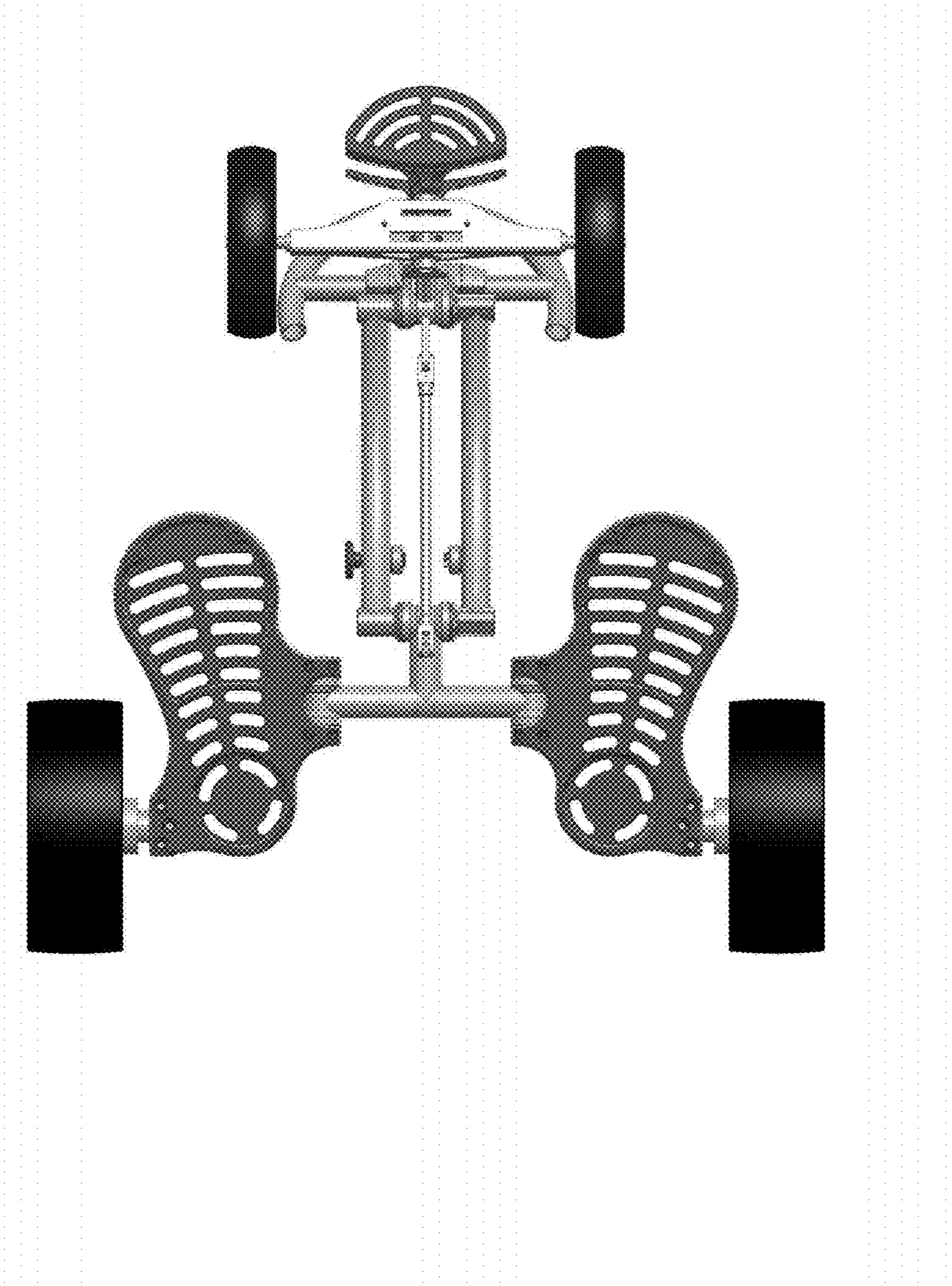


Fig. 7