



US00D697682S

(12) **United States Design Patent**
Schuller et al.

(10) **Patent No.:** **US D697,682 S**
(45) **Date of Patent:** **** Jan. 14, 2014**

(54) **HEAD FOR A CLEANING IMPLEMENT**

(56) **References Cited**

(71) Applicant: **The Procter & Gamble Company**,
Cincinnati, OH (US)
(72) Inventors: **David William Schuller**, Lebanon, OH
(US); **Igor Ivanovich Zemskov**, Dublin,
OH (US); **Rainer Bernhard Teufel**,
Worthington, OH (US); **Richard Lee**
Lane, Columbus, OH (US); **Sun-Jan**
Alan Huang, Pittsburgh, PA (US)

U.S. PATENT DOCUMENTS

D490,952	S	*	6/2004	Ajluni	D32/50
D501,283	S	*	1/2005	Carr et al.	D32/38
D545,019	S	*	6/2007	Harper et al.	D32/50
D585,612	S	*	1/2009	Soller et al.	D32/50
D614,371	S	*	4/2010	Blom	D32/51
D648,910	S	*	11/2011	Raven et al.	D32/39
D653,826	S	*	2/2012	Lee	D32/50
2004/0177461	A1	*	9/2004	Ajluni	15/121
2005/0022338	A1	*	2/2005	Muhlenkamp	15/414
2006/0016037	A1	*	1/2006	Flora et al.	15/228

OTHER PUBLICATIONS

U.S. Appl. No. 29/424,783, filed Jun. 15, 2012, Schuller, et al.

* cited by examiner

Primary Examiner — John Windmuller

(74) *Attorney, Agent, or Firm* — Larry L. Huston; Steven W. Miller

(73) Assignee: **The Procter & Gamble Company**,
Cincinnati, OH (US)

(**) Term: **14 Years**

(21) Appl. No.: **29/464,426**

(22) Filed: **Aug. 16, 2013**

(57) **CLAIM**

The ornamental design for a head for a cleaning implement,
as shown and described.

Related U.S. Application Data

(62) Division of application No. 29/424,783, filed on Jun.
15, 2012, now Pat. No. Des. 691,342.

(51) **LOC (10) Cl.** **04-01**

(52) **U.S. Cl.**
USPC **D32/50**

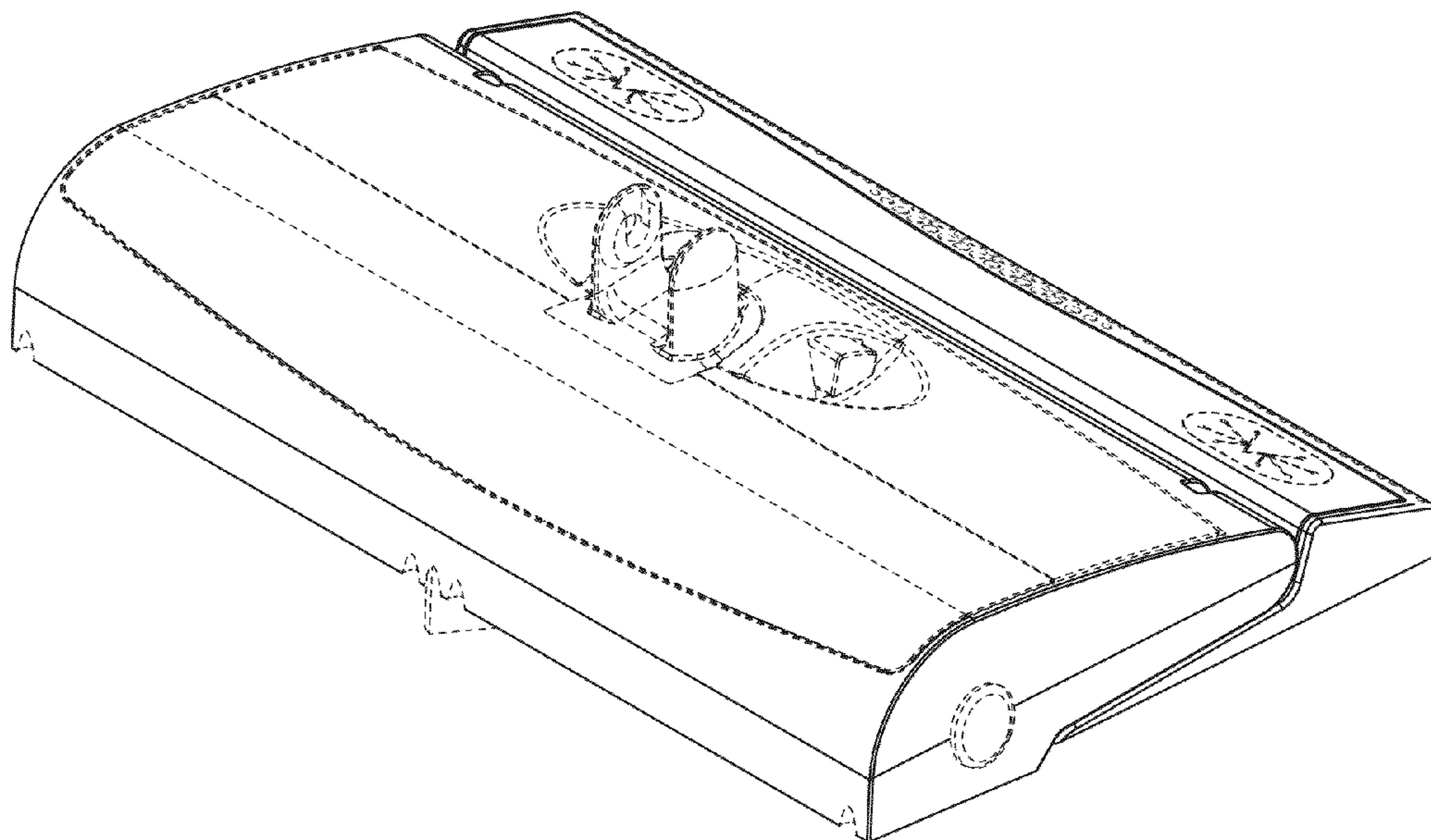
(58) **Field of Classification Search**
USPC D32/40-45, 50-52; 15/118, 244.1,
15/244.2, 244.3, 244.4, 116.1, 116.2,
15/119.1, 119.2, 104.9, 228, 229.2, 229.4;
401/135-140

See application file for complete search history.

DESCRIPTION

FIG. 1 is a perspective view of a head for a cleaning imple-
ment;
FIG. 2 is a top view of the head for a cleaning implement;
FIG. 3 is a bottom side view of head for a cleaning implement;
FIG. 4 is a front view of the head for a cleaning implement;
FIG. 5 is a rear view of the head for a cleaning implement;
FIG. 6 is a right side view of the head for a cleaning imple-
ment; and,
FIG. 7 is a left side view of the head for a cleaning implement.
The broken lines in the figures depict portions of the head for
a cleaning implement that form no part of the claimed design.

1 Claim, 7 Drawing Sheets



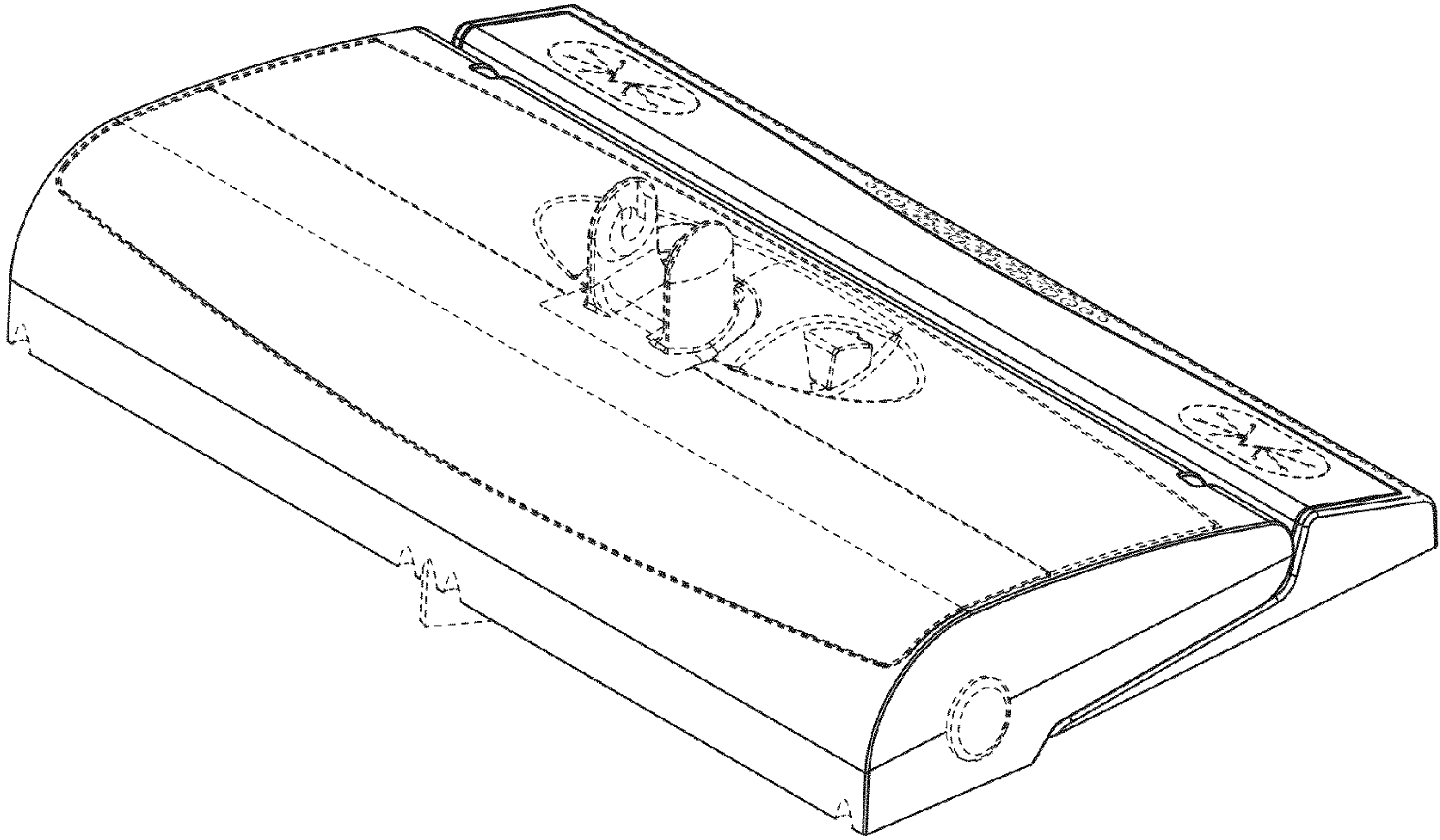


Fig. 1

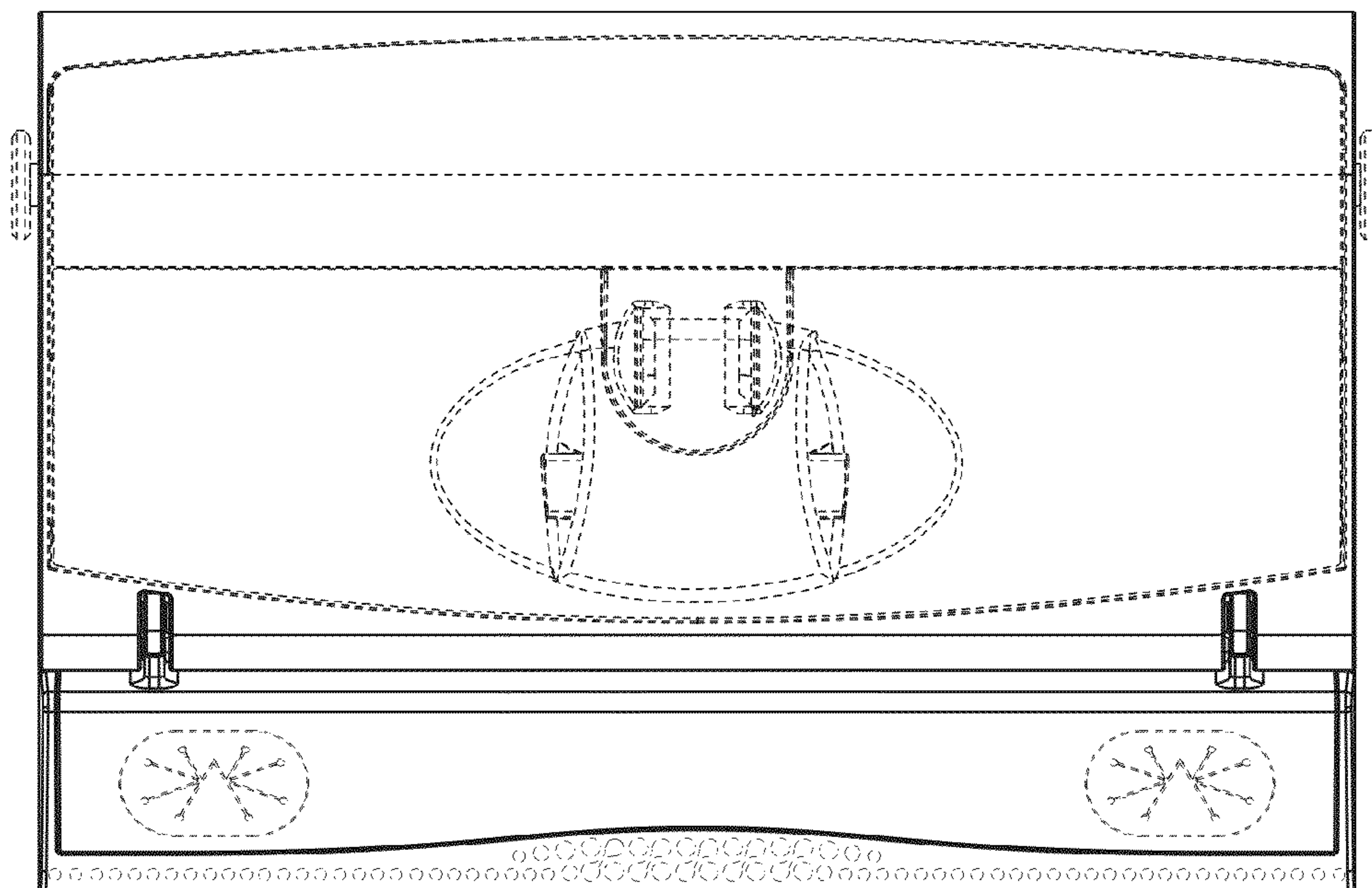


Fig. 2

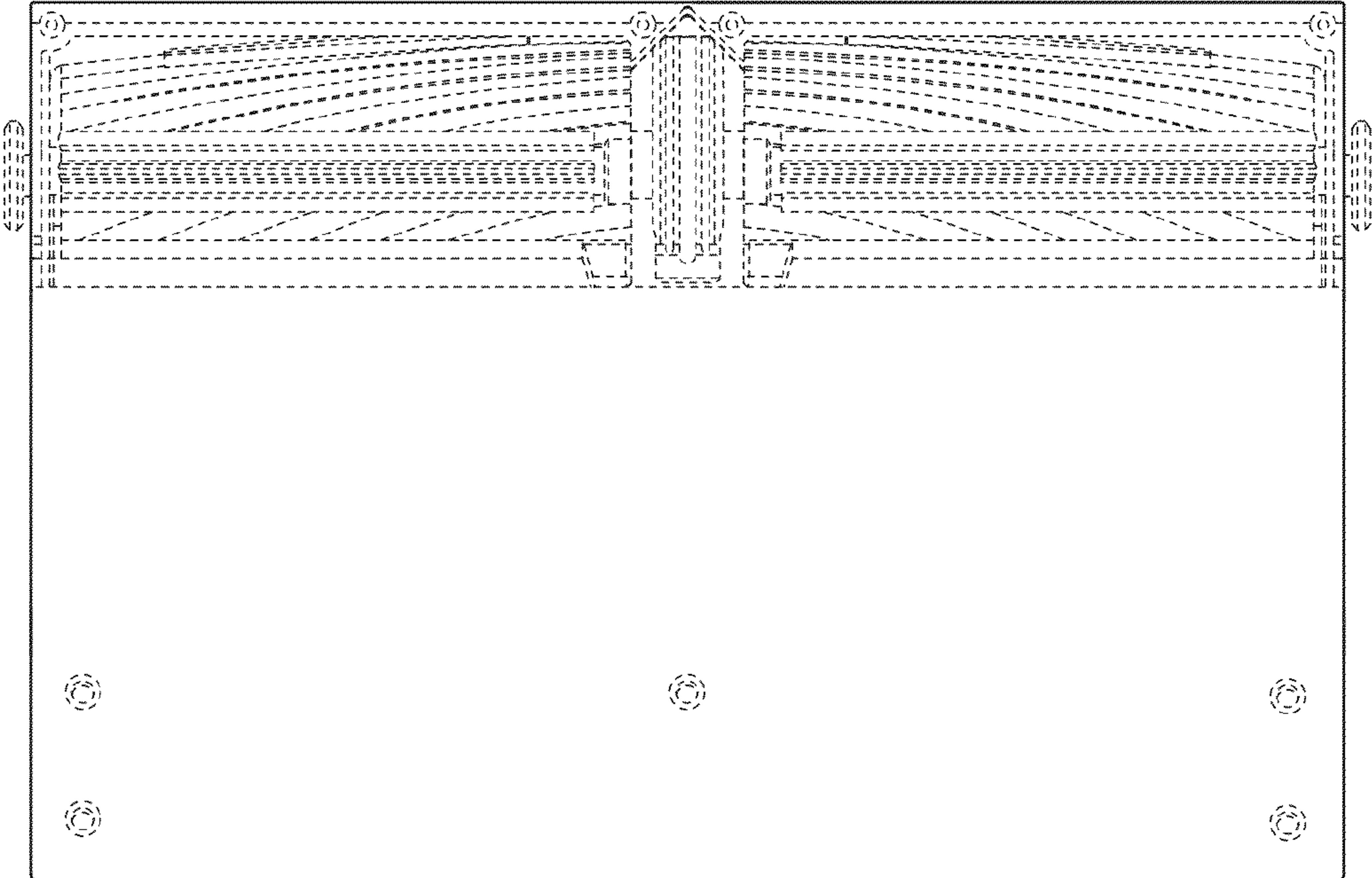


Fig. 3

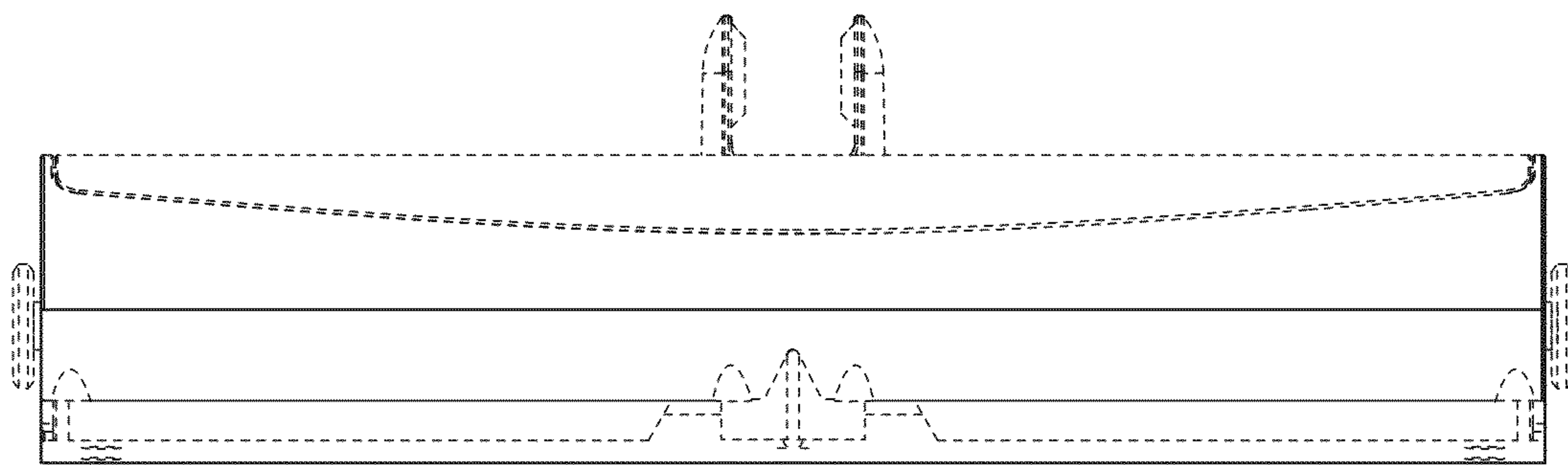


Fig. 4

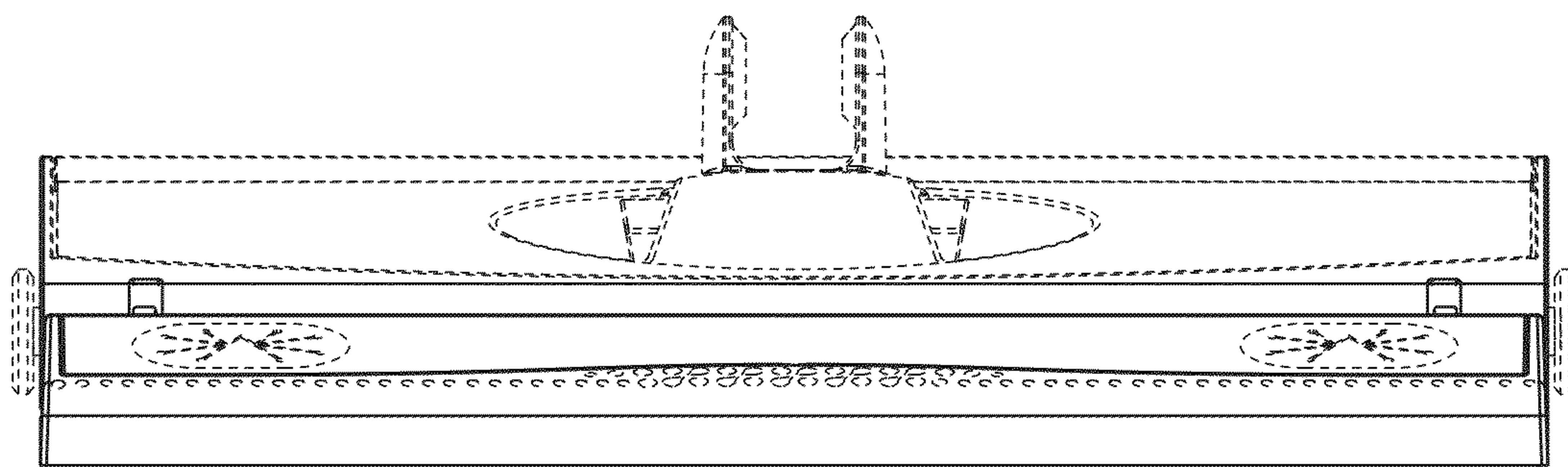


Fig. 5

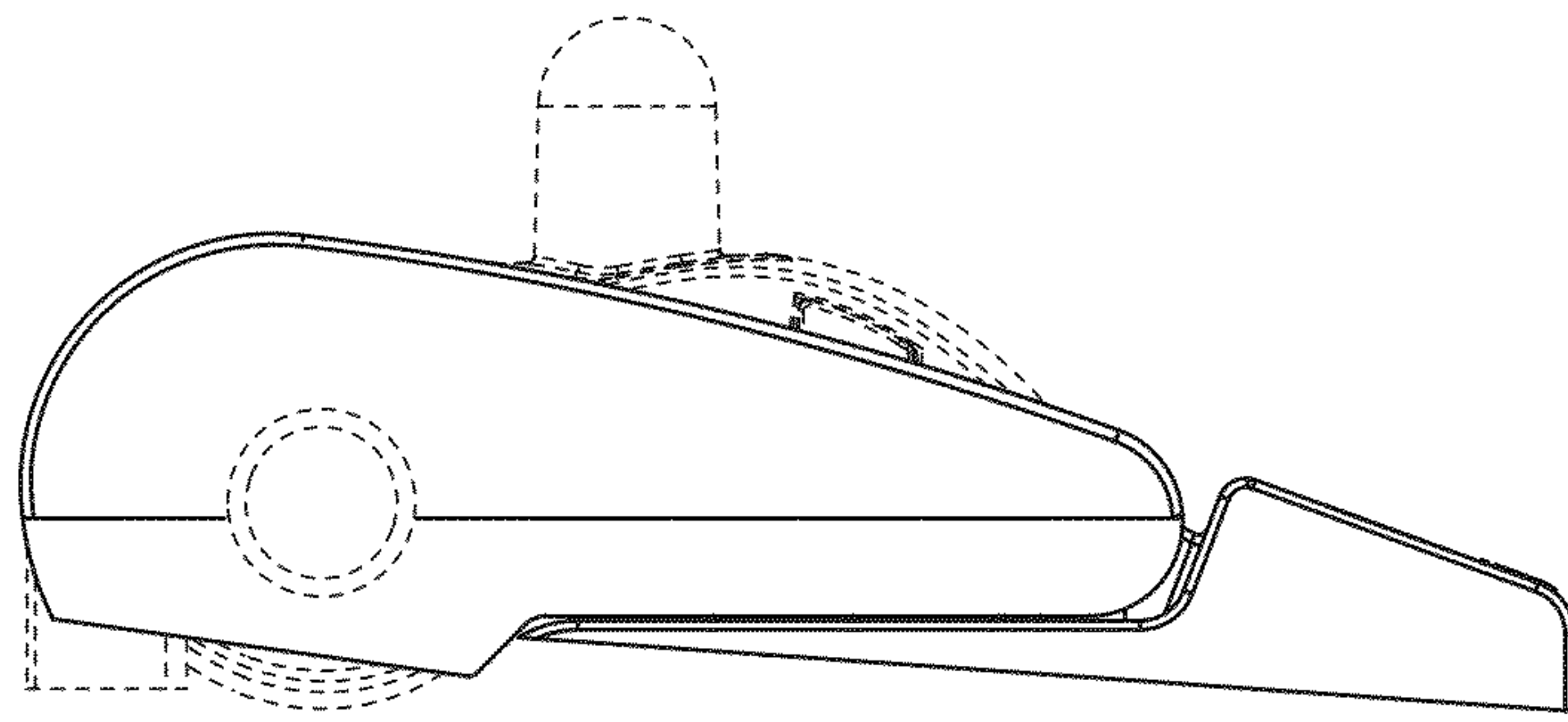


Fig. 6

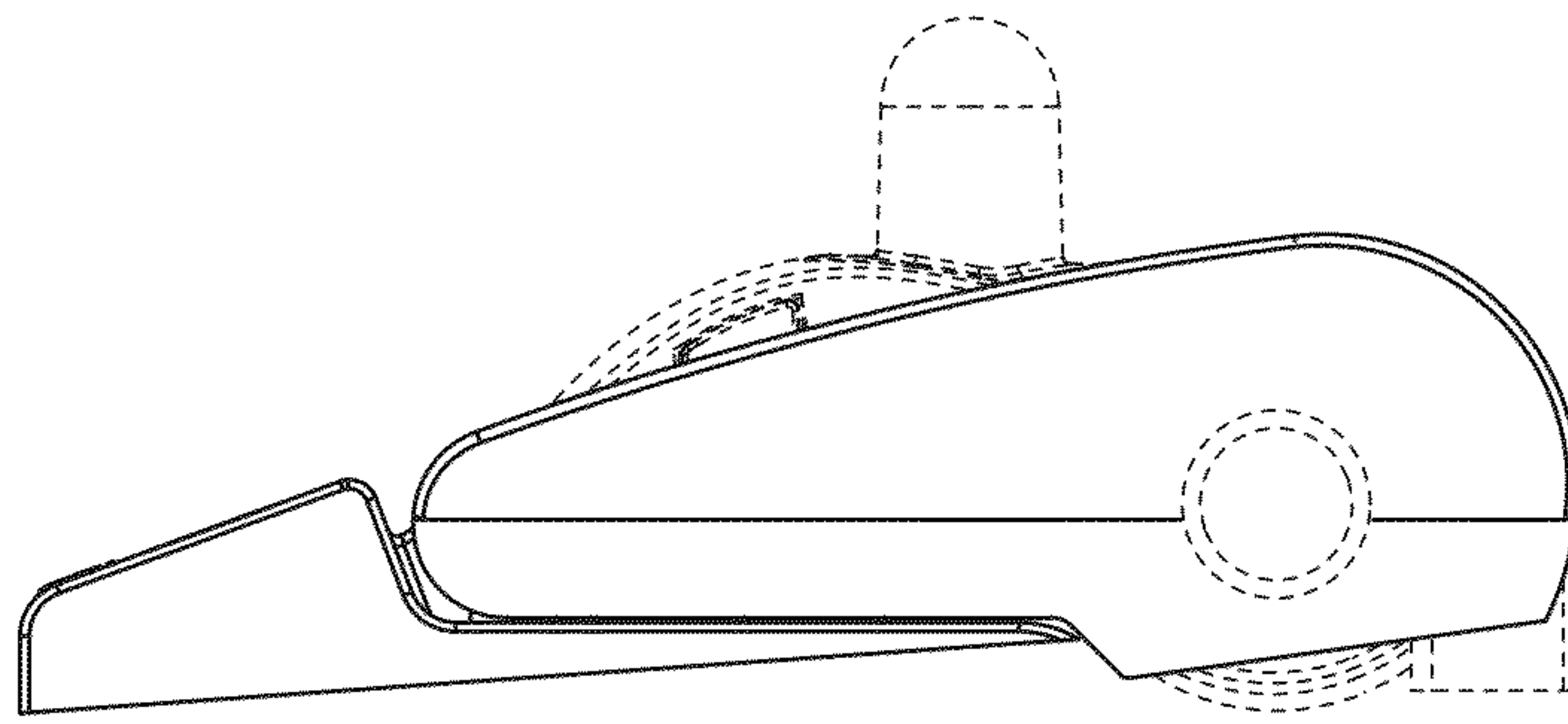


Fig. 7