

US00D697681S

(12) **United States Design Patent**
Chung et al.

(10) **Patent No.:** **US D697,681 S**
(45) **Date of Patent:** **** Jan. 14, 2014**

(54) **ELECTRIC WASHING MACHINE**
(75) Inventors: **Wookjun Chung**, Seoul (KR); **Kyungah Lee**, Gyeonggi-do (KR); **Jeaseok Seong**, Gyeonggi-do (KR); **Yoonsang Kim**, Seoul (KR); **Yeji Um**, Seoul (KR)

(73) Assignee: **LG Electronics Inc.**, Seoul (KR)

(**) Term: **14 Years**

(21) Appl. No.: **29/430,141**

(22) Filed: **Aug. 22, 2012**

(30) **Foreign Application Priority Data**

Feb. 24, 2012 (KR) 30-2012-0008874

(51) **LOC (10) Cl.** **15-05**

(52) **U.S. Cl.**
USPC **D32/29.1**

(58) **Field of Classification Search**
USPC D32/1, 25, 29.1; D3/273, 304-305;
68/3 R, 5 R, 17 R, 12.01, 12.08, 212;
134/58 D, 93, 200
See application file for complete search history.

(56) **References Cited**

U.S. PATENT DOCUMENTS

D232,187 S * 7/1974 McCollum, Jr. D32/25
6,227,012 B1 * 5/2001 Borroni et al. 68/17 R
D516,313 S * 3/2006 Pavli D3/304
7,428,831 B2 * 9/2008 Cho et al. 68/17 R

7,543,465 B2 * 6/2009 Kwon et al. 68/17 R
7,555,923 B2 * 7/2009 Kim et al. 68/17 R
7,654,119 B2 * 2/2010 Song 68/17 R
D624,255 S * 9/2010 Ha D32/25
7,827,831 B2 * 11/2010 Bolduan et al. 68/17 R
D637,371 S * 5/2011 Sim et al. D32/25
D658,343 S * 4/2012 Jeon et al. D32/29.1
D663,497 S * 7/2012 Ha et al. D32/29.1
2003/0172690 A1 * 9/2003 Kim et al. 68/17 R

* cited by examiner

Primary Examiner — T. Chase Nelson

Assistant Examiner — Kathleen M Sims

(74) *Attorney, Agent, or Firm* — Birch, Stewart, Kolasch & Birch, LLP

(57) **CLAIM**

The ornamental design for an electric washing machine, as shown and described.

DESCRIPTION

FIG. 1 is a perspective view of an electric washing machine showing our new design;
FIG. 2 is a front view thereof;
FIG. 3 is a rear view thereof;
FIG. 4 is a left side view thereof;
FIG. 5 is a right side view thereof;
FIG. 6 is a top plan view thereof;
FIG. 7 is a bottom plan view thereof; and,
FIG. 8 is an enlarged view of the middle-front part of FIG. 1. The broken lines are for illustrative purposes only and form no part of the claimed design.

1 Claim, 8 Drawing Sheets

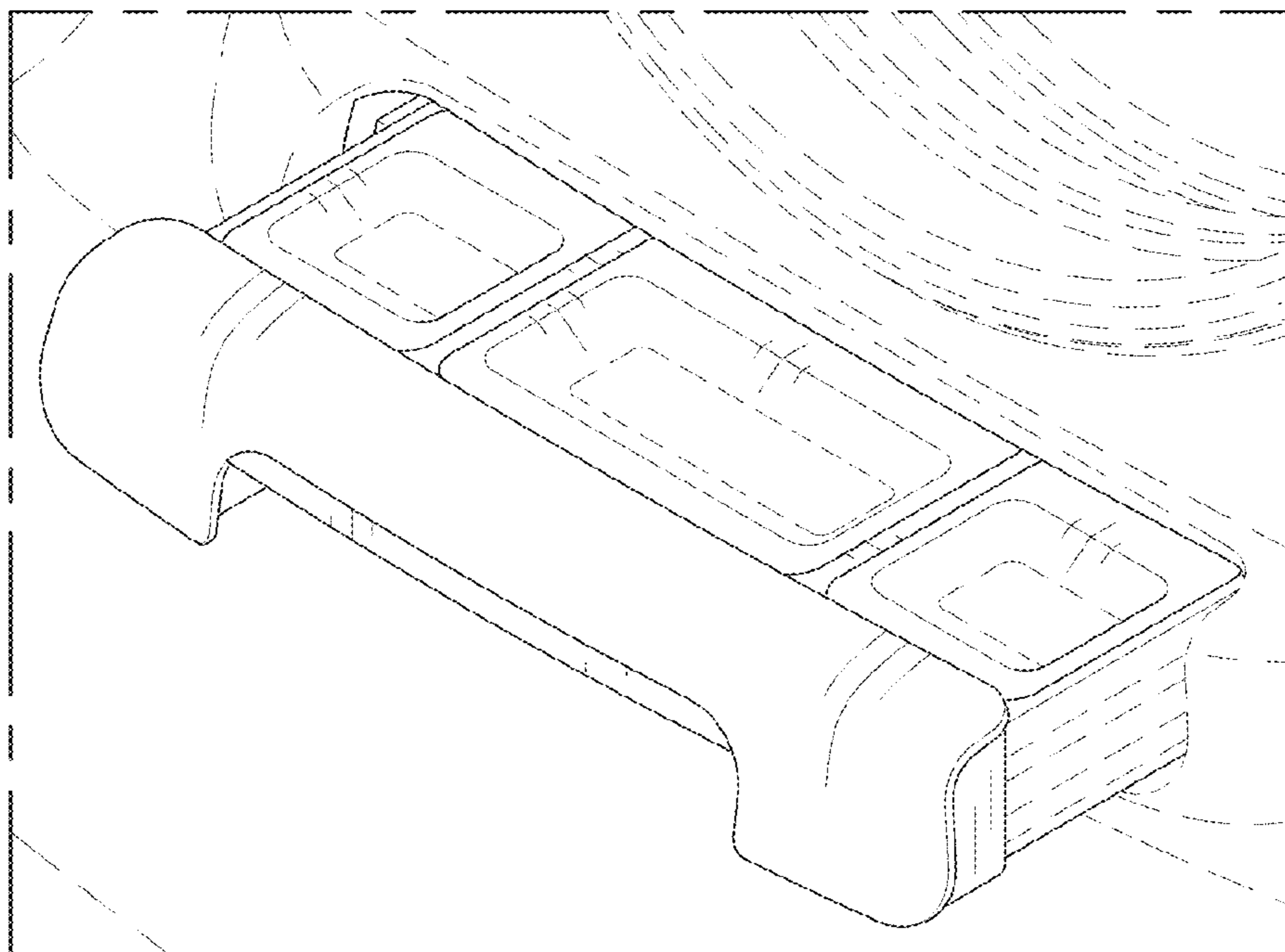


FIG. 1

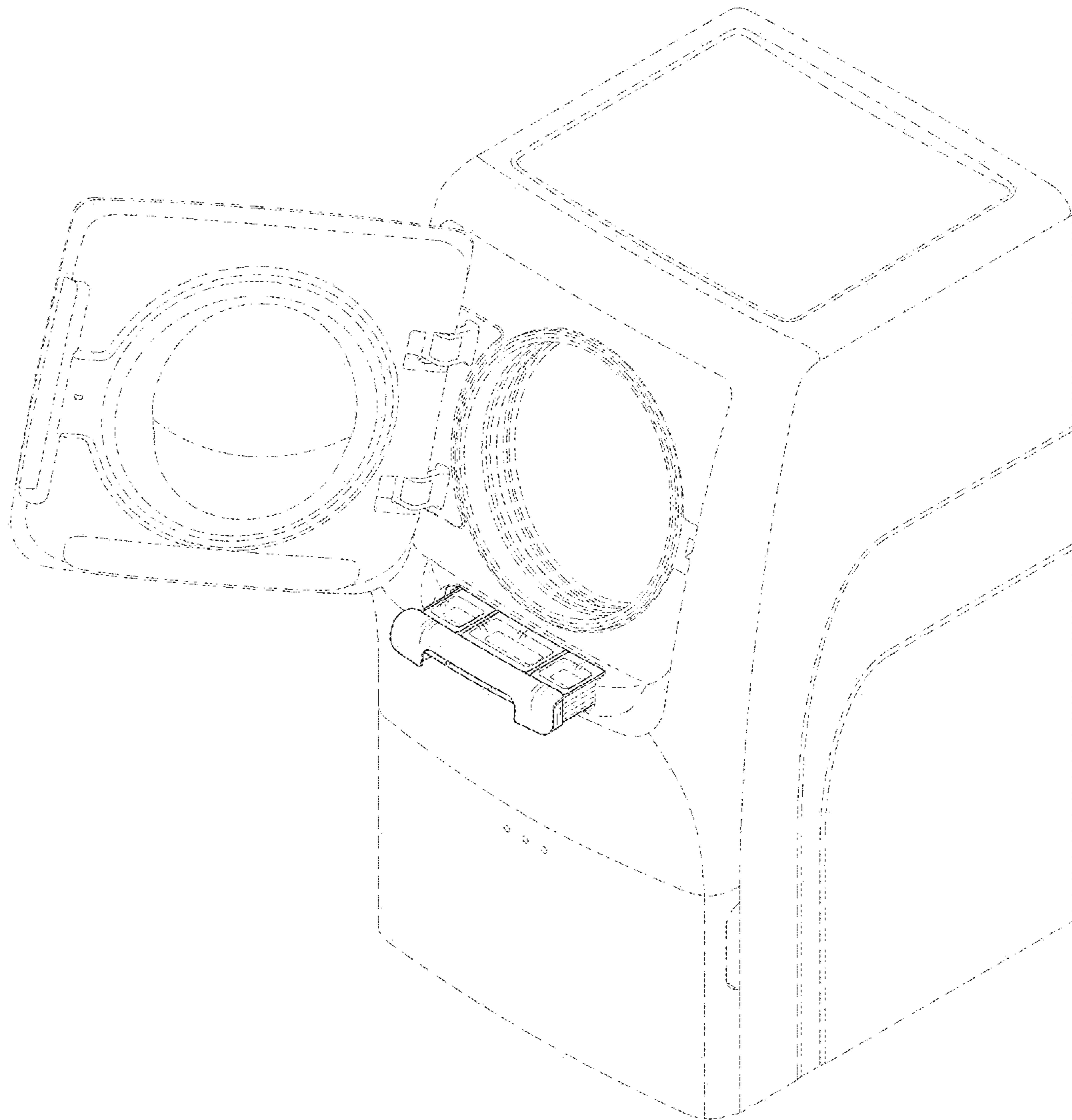


FIG. 2

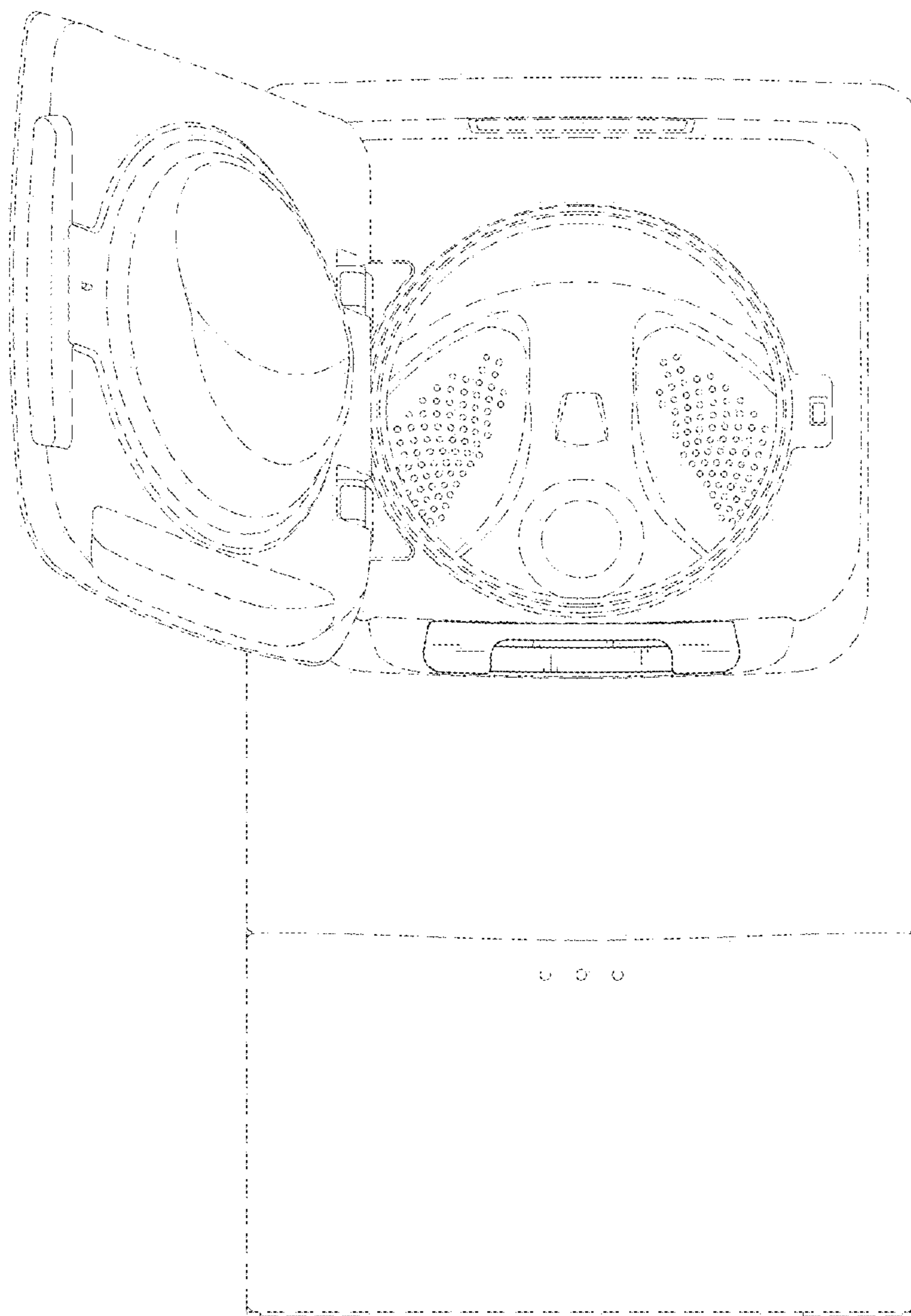


FIG. 3

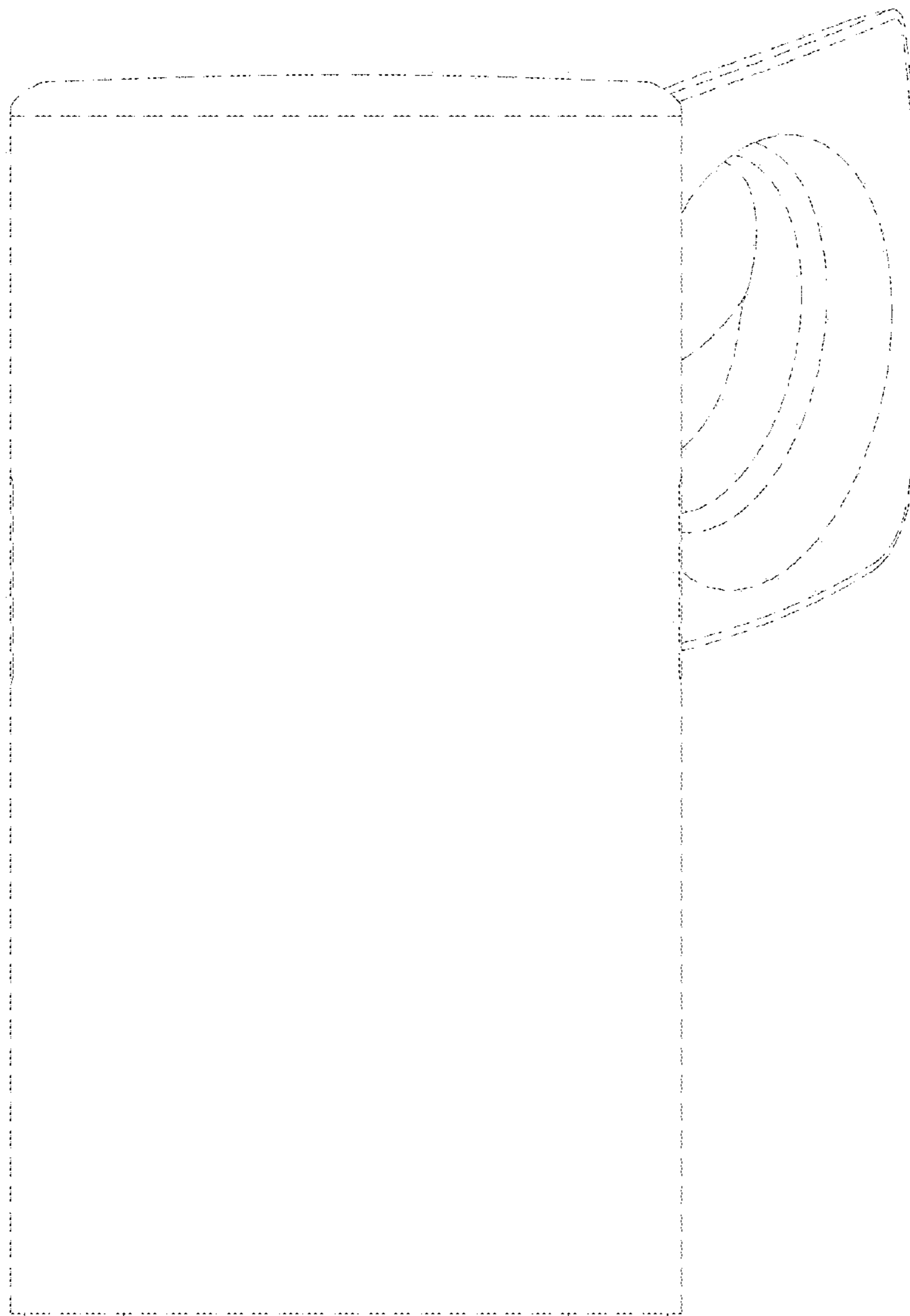


FIG. 4

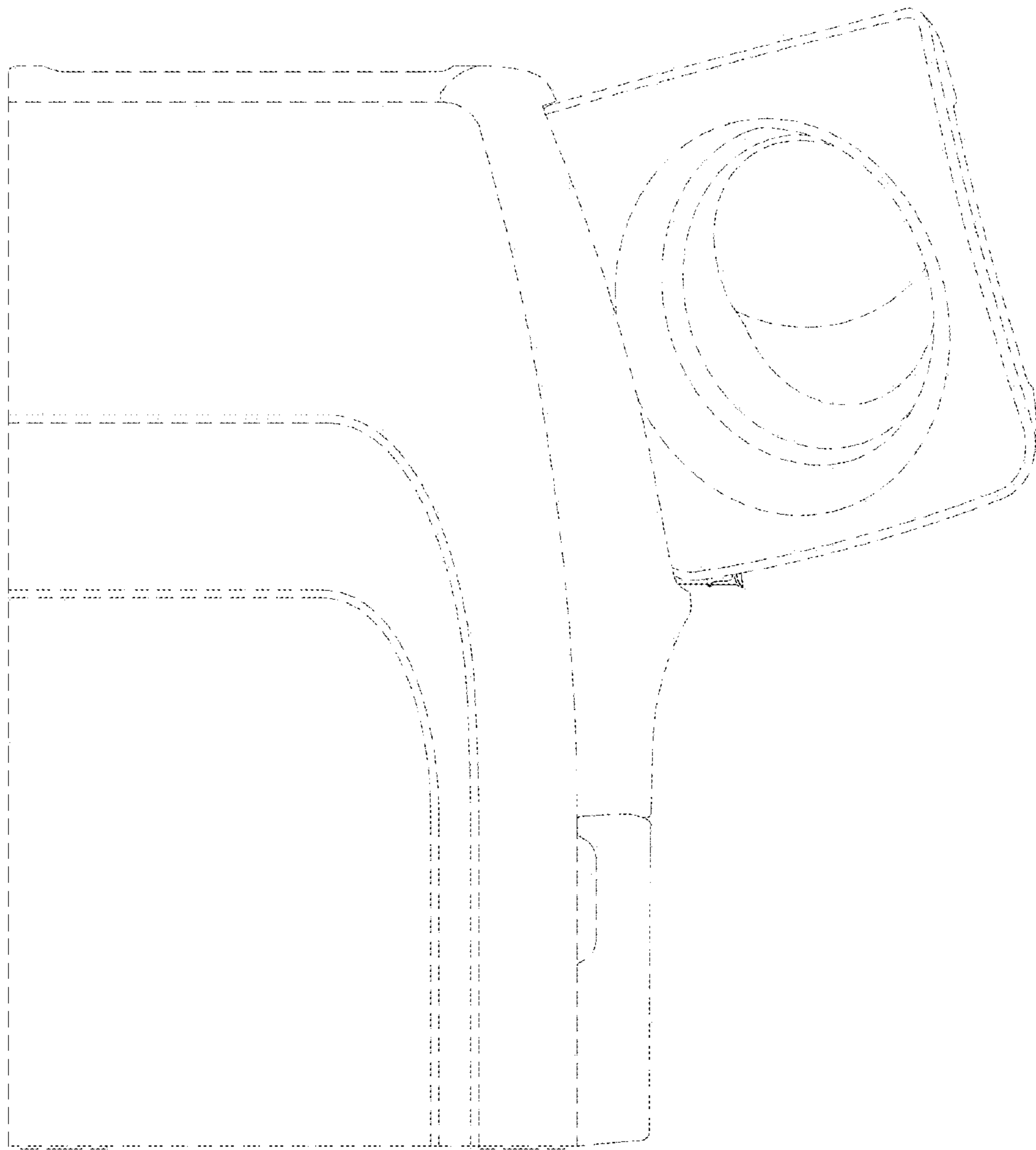


FIG. 5

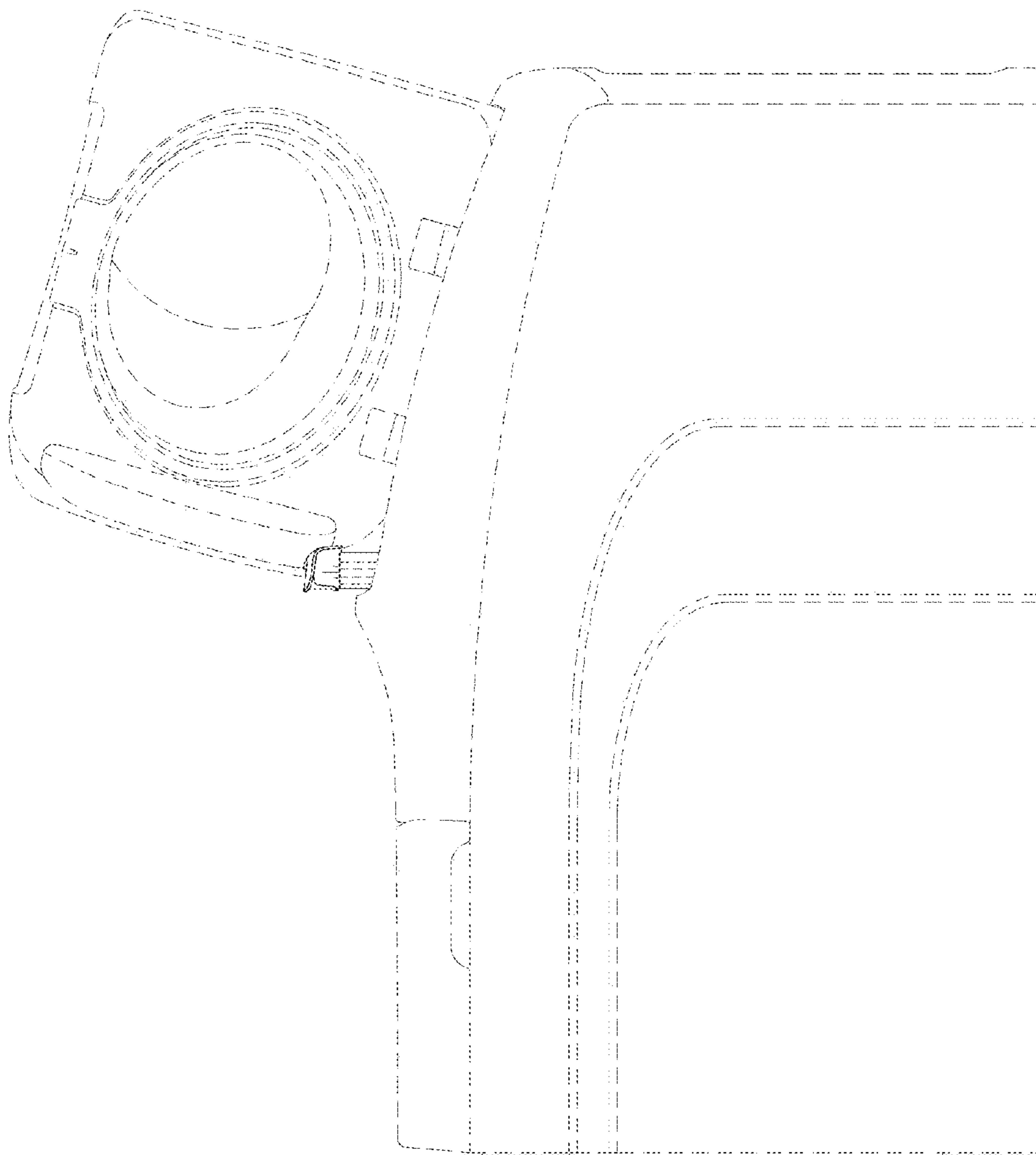


FIG. 6

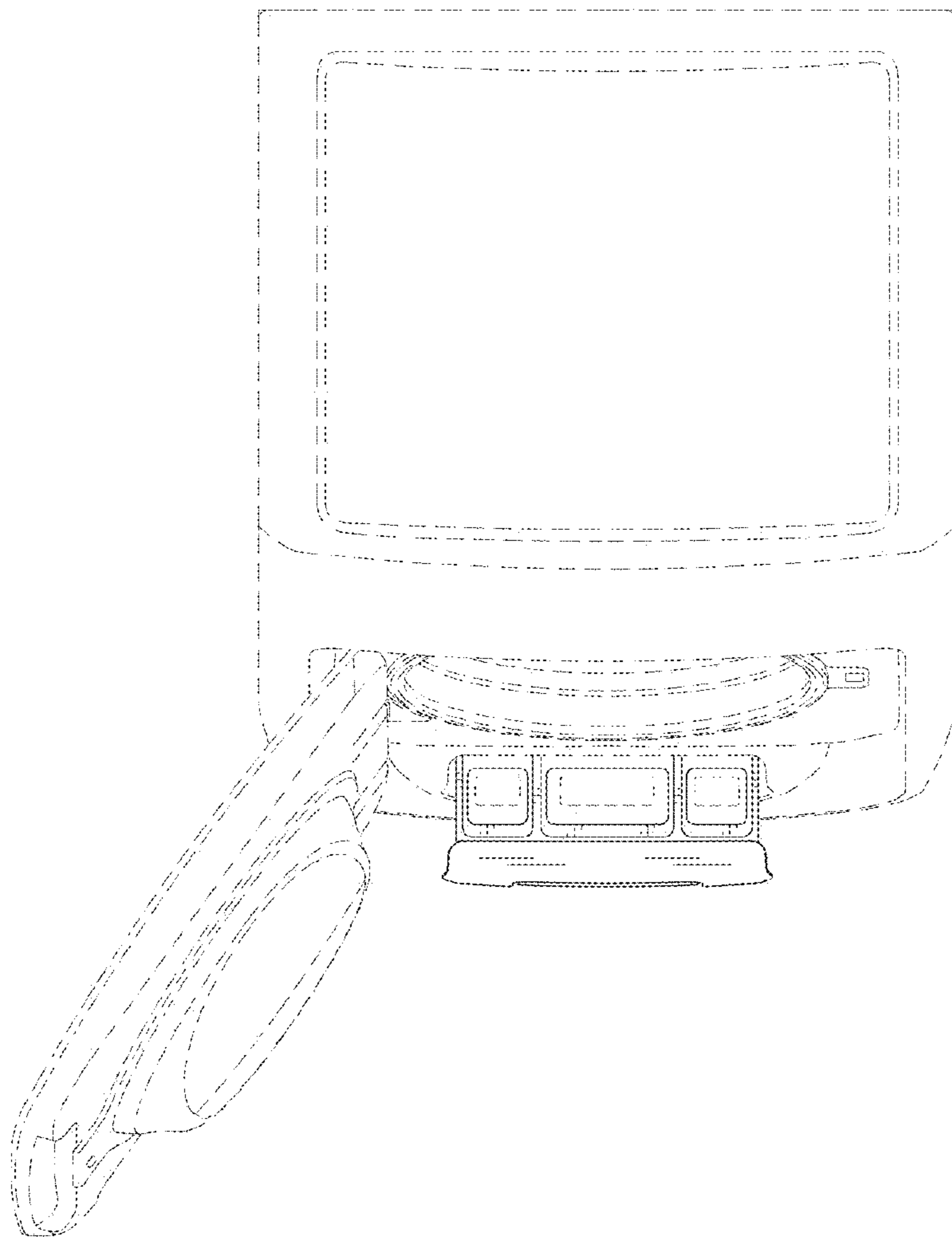


FIG. 7

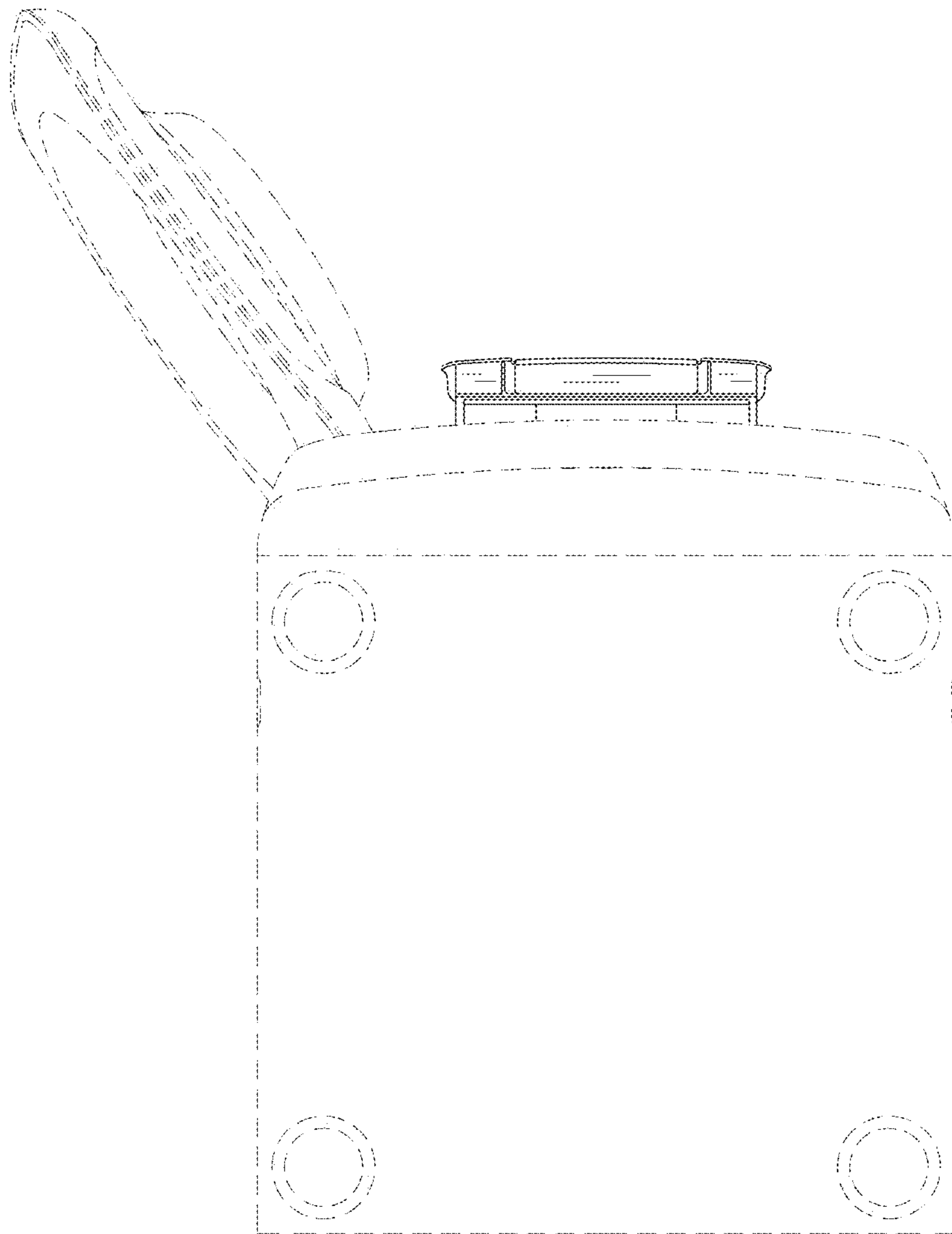


FIG. 8

