



US00D697678S

(12) **United States Design Patent**  
**Jeon et al.**

(10) **Patent No.:** **US D697,678 S**  
(45) **Date of Patent:** **\*\* Jan. 14, 2014**

(54) **DRUM WASHING MACHINE**

(75) Inventors: **Ho Il Jeon**, Gyeonggi-do (KR); **Jung Hwan Lee**, Seoul (KR); **On Kim**, Seoul (KR); **Ne Rry Son**, Seoul (KR); **Ye Ji Um**, Seoul (KR)

(73) Assignee: **LG Electronics Inc.**, Seoul (KR)

(\*\*) Term: **14 Years**

(21) Appl. No.: **29/412,393**

(22) Filed: **Feb. 2, 2012**

(30) **Foreign Application Priority Data**

Aug. 8, 2011 (KR) ..... 30-2011-0033157

(51) **LOC (10) Cl.** ..... **15-05**

(52) **U.S. Cl.**  
USPC ..... **D32/6**

(58) **Field of Classification Search**  
USPC ..... D32/1, 5-6, 8, 10; 68/3 R, 5 R, 12.01,  
68/12.07, 12.08; 34/87-88, 523-524  
See application file for complete search history.

(56) **References Cited**

**U.S. PATENT DOCUMENTS**

D552,807 S *	10/2007	Jeon et al.	.....	D32/6
D572,419 S *	7/2008	Park et al.	.....	D32/6
D616,162 S *	5/2010	Park et al.	.....	D32/6
D618,863 S *	6/2010	Jeon et al.	.....	D32/6
D618,864 S *	6/2010	Jeon et al.	.....	D32/6
D620,650 S *	7/2010	Lee	.....	D32/6

D622,917 S *	8/2010	Lee	.....	D32/6
D625,476 S *	10/2010	Lee et al.	.....	D32/6
D625,889 S *	10/2010	Lee et al.	.....	D32/6
D626,299 S *	10/2010	Lee et al.	.....	D32/6
D628,755 S *	12/2010	Helot et al.	.....	D32/5
D631,622 S *	1/2011	Chung et al.	.....	D32/6
D631,624 S *	1/2011	Chung et al.	.....	D32/6
D635,727 S *	4/2011	Jeon et al.	.....	D32/6
D636,953 S *	4/2011	Lee	.....	D32/6
D665,543 S *	8/2012	Kim et al.	.....	D32/6
D688,013 S *	8/2013	Kim et al.	.....	D32/6
2007/0180867 A1 *	8/2007	Hur	.....	68/3 R
2007/0209403 A1 *	9/2007	Byun et al.	.....	68/3 R
2007/0266742 A1 *	11/2007	Yoon et al.	.....	68/12.01

\* cited by examiner

*Primary Examiner* — T. Chase Nelson  
*Assistant Examiner* — Kathleen M Sims

(74) *Attorney, Agent, or Firm* — Birch, Stewart, Kolasch & Birch, LLP

(57) **CLAIM**

We claim the ornamental design for a drum washing machine, as shown and described.

**DESCRIPTION**

FIG. 1 is a perspective view of a drum washing machine showing our new design;  
FIG. 2 is a front elevation view thereof;  
FIG. 3 is a rear elevation view thereof;  
FIG. 4 is a left-side elevation view thereof;  
FIG. 5 is a right-side elevation view thereof;  
FIG. 6 is a top plan view thereof; and,  
FIG. 7 is a bottom plan view thereof.

**1 Claim, 6 Drawing Sheets**

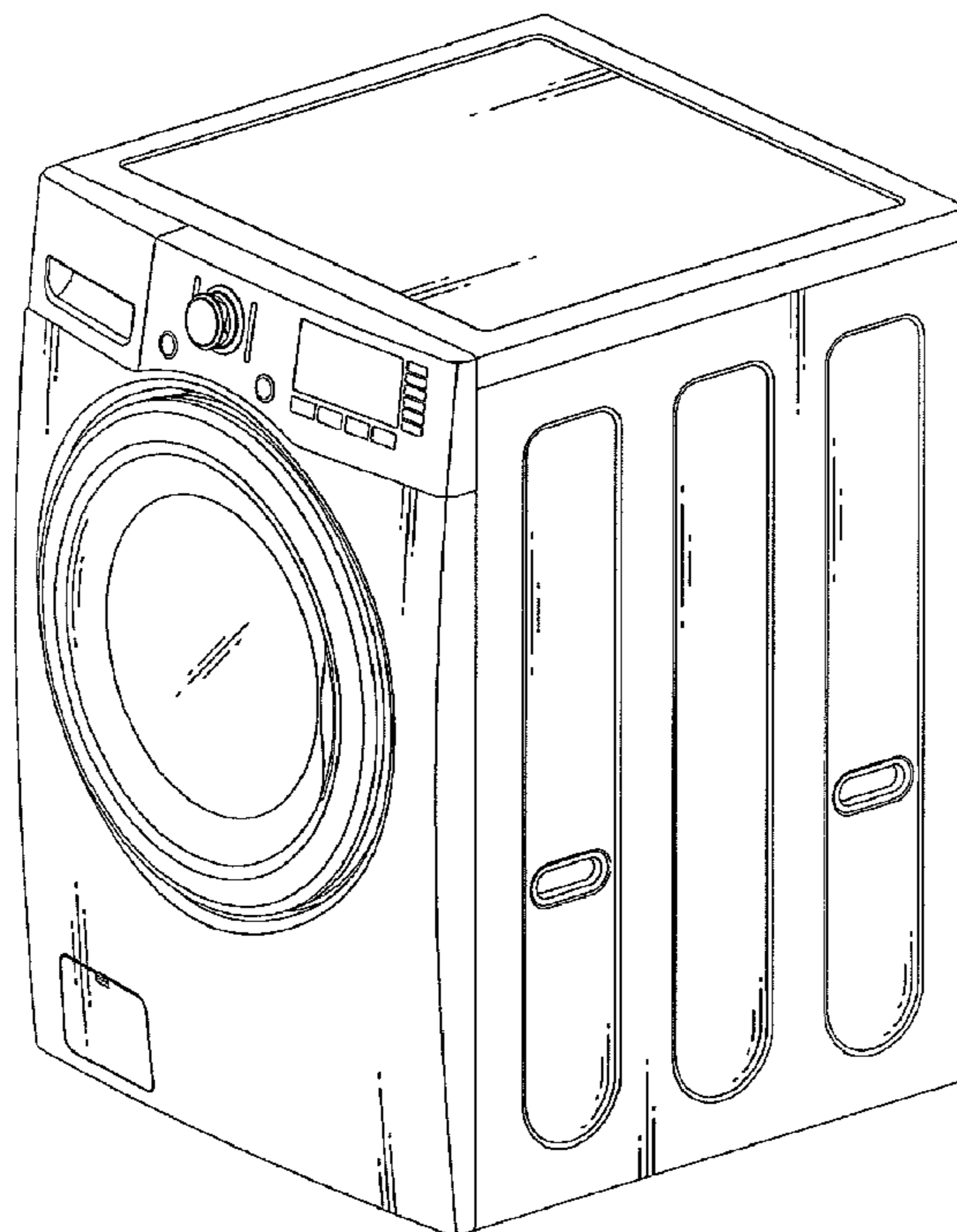


FIG. 1

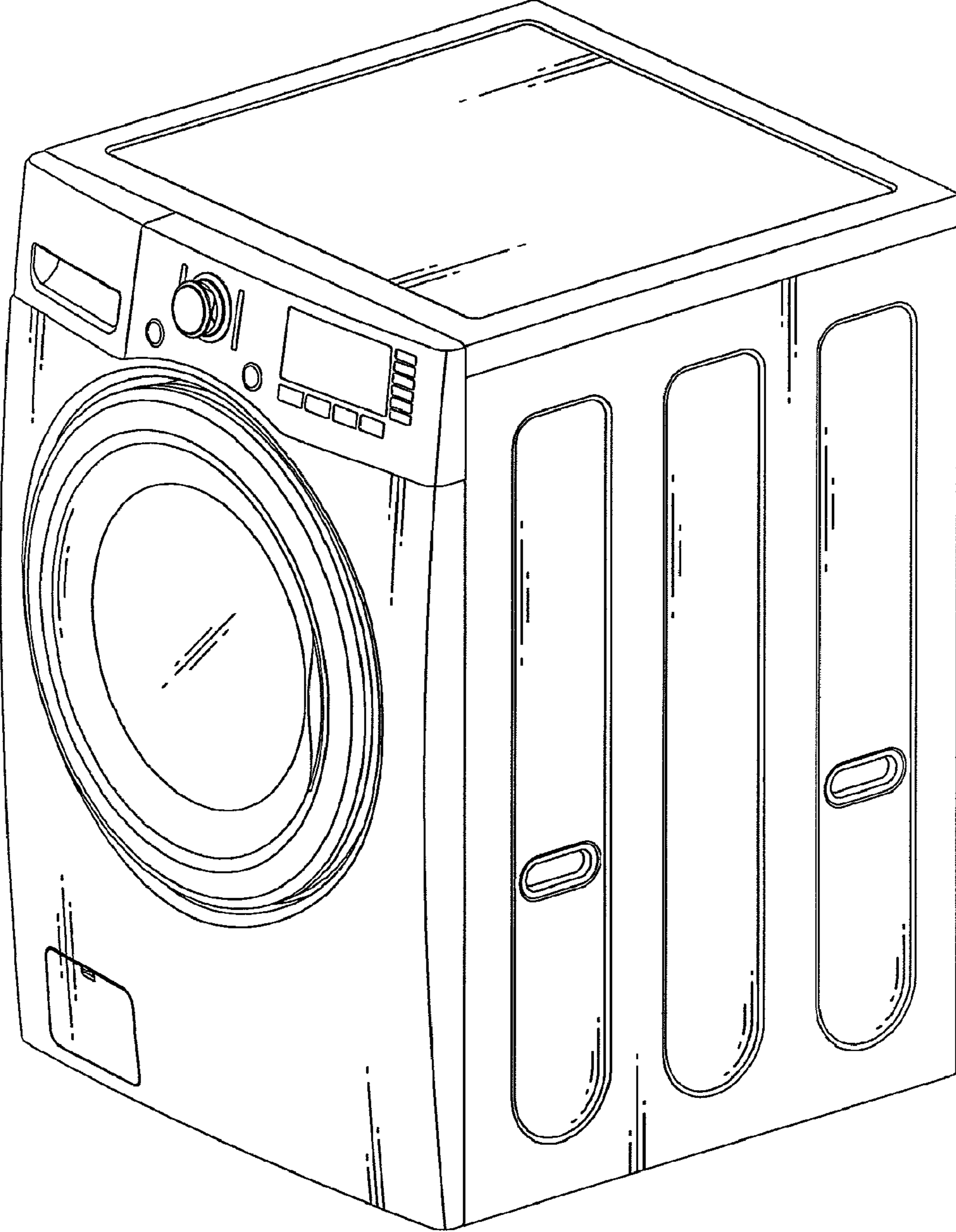


FIG. 2

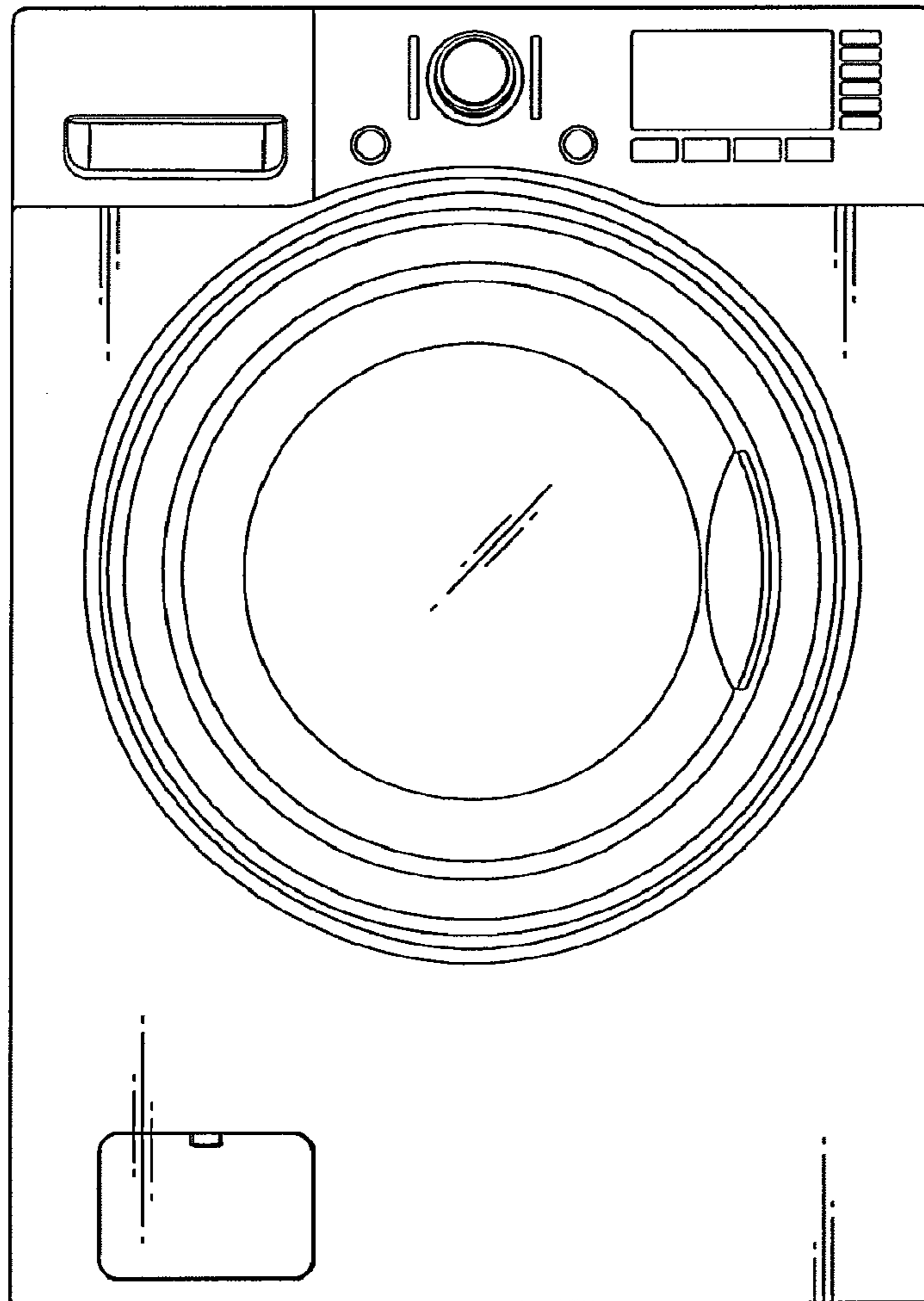


FIG. 3

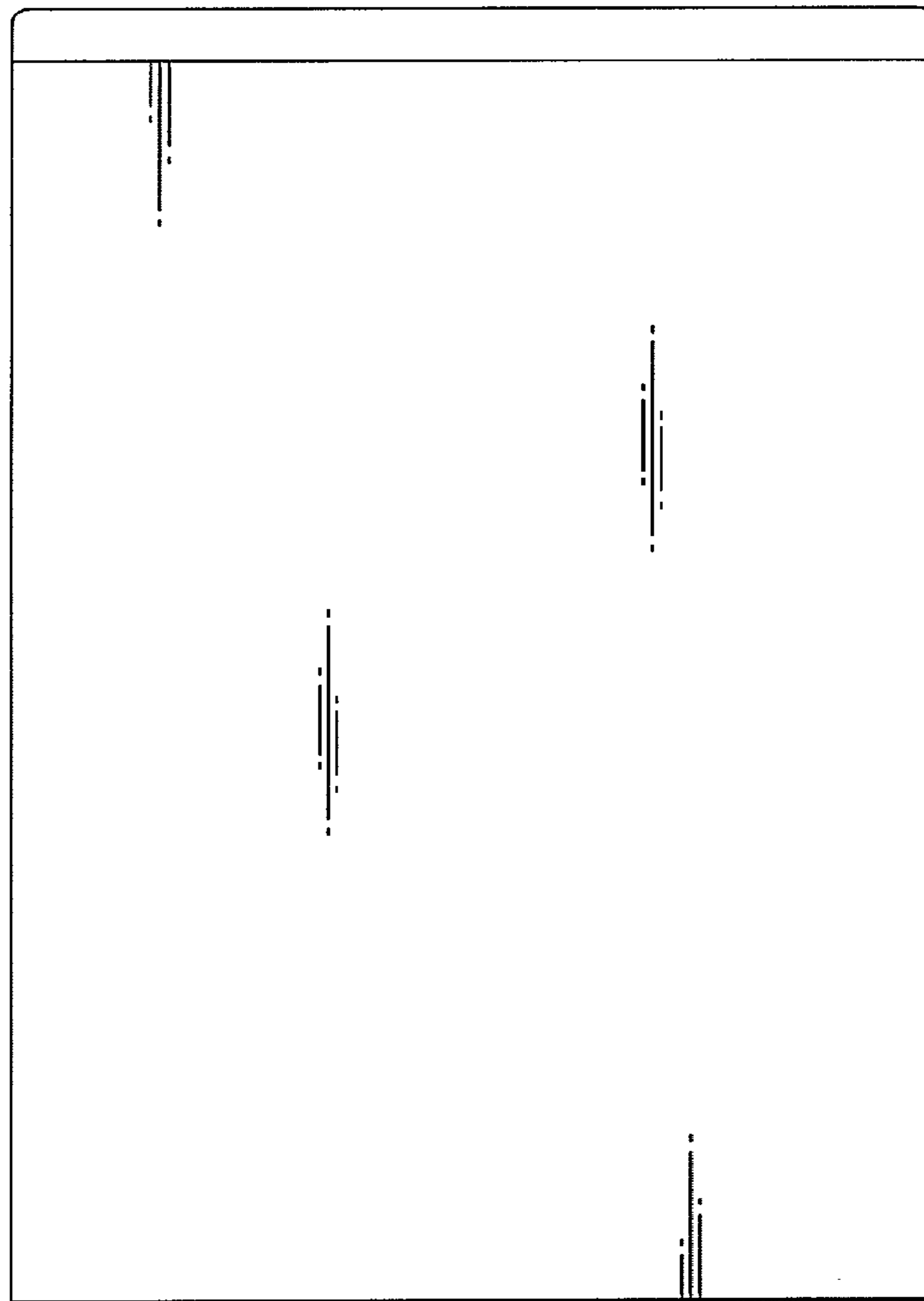


FIG. 4

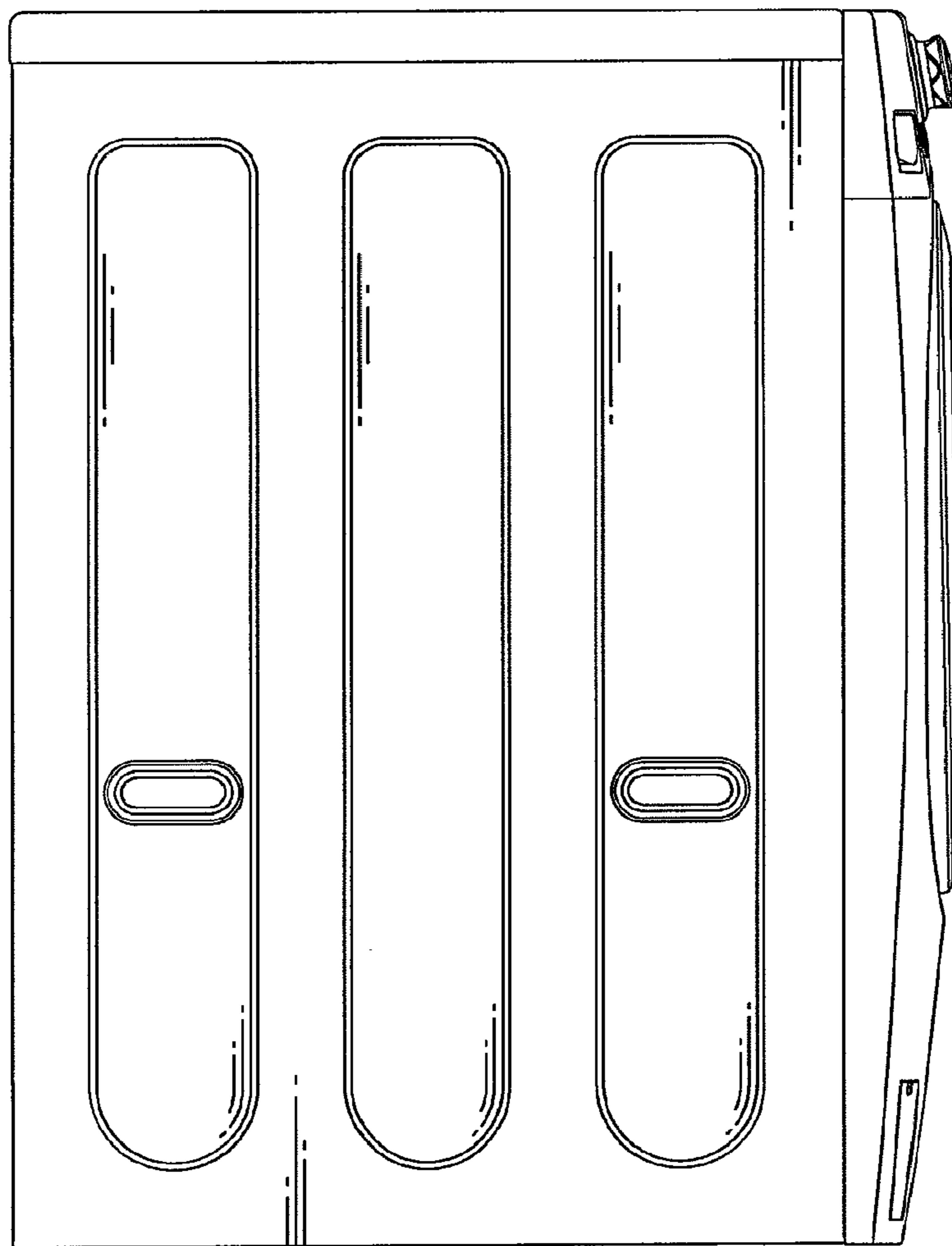


FIG. 5

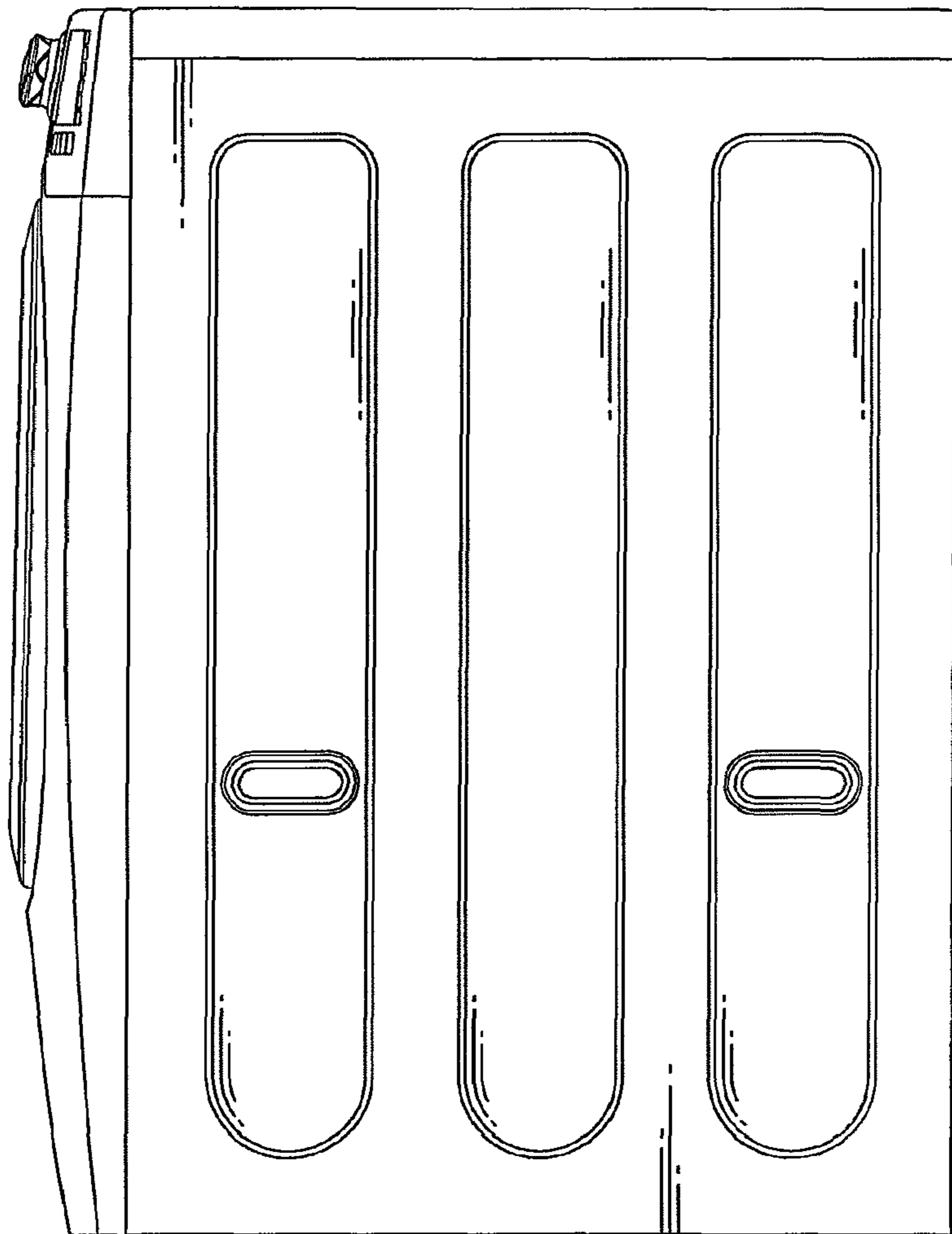




FIG. 6

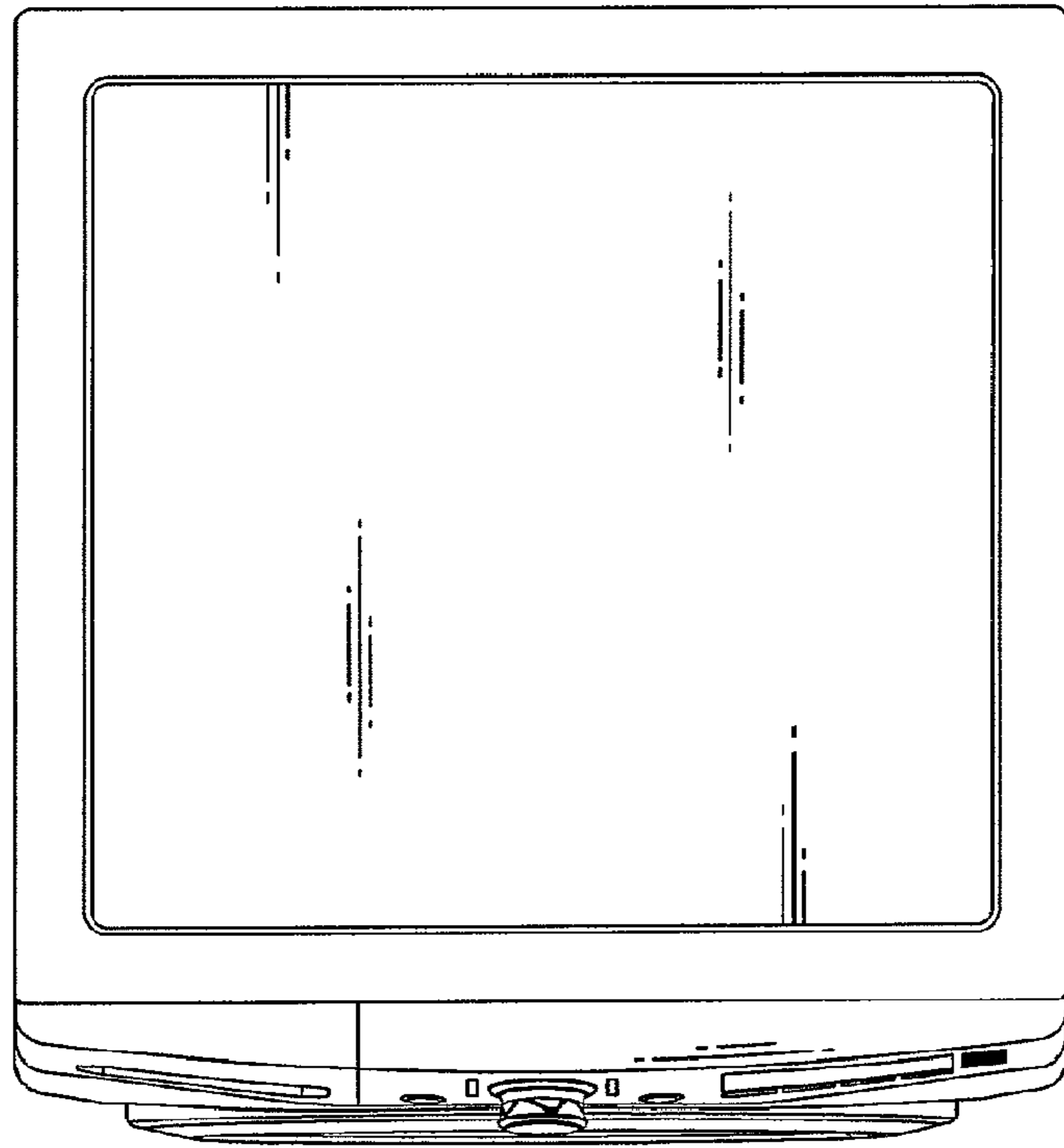


FIG. 7

