

US00D697677S

(12) **United States Design Patent**
Ritchey et al.

(10) **Patent No.:** **US D697,677 S**
(45) **Date of Patent:** **** Jan. 14, 2014**

- (54) **ANIMAL RESTRAINT**
- (71) Applicants: **Grant A. Ritchey**, Hudson, CO (US);
Craig E. Ritchey, Brighton, CO (US)
- (72) Inventors: **Grant A. Ritchey**, Hudson, CO (US);
Craig E. Ritchey, Brighton, CO (US)
- (**) Term: **14 Years**
- (21) Appl. No.: **29/451,298**
- (22) Filed: **Mar. 29, 2013**

4,050,460	A *	9/1977	Magrath	604/516
4,059,111	A *	11/1977	Erasmus	604/514
4,613,323	A	9/1986	Norton et al.	
4,637,816	A *	1/1987	Mann	604/62
4,773,898	A	9/1988	Begouen	
4,874,365	A	10/1989	Frederick et al.	
5,156,593	A	10/1992	Green	
5,494,283	A	2/1996	Harris	
5,566,645	A	10/1996	Cole	
5,630,381	A *	5/1997	Kroyer	119/801
5,809,939	A	9/1998	Robart et al.	
5,893,799	A *	4/1999	Studley et al.	463/47.2
5,927,562	A	7/1999	Hammen et al.	
5,960,747	A *	10/1999	Heil	119/801
7,028,640	B1 *	4/2006	Cummings	119/712

(Continued)

Related U.S. Application Data

- (63) Continuation-in-part of application No. 12/791,318, filed on Jun. 1, 2010, now Pat. No. 8,448,609, which is a continuation-in-part of application No. 12/684,737, filed on Jan. 8, 2010, now abandoned.
- (51) **LOC (10) Cl.** **30-04**
- (52) **U.S. Cl.**
USPC **D30/151**; D30/199
- (58) **Field of Classification Search**
USPC D30/144, 151, 156, 199; D24/107, 108, D24/112, 133; 119/72, 712, 801; 604/62, 604/514, 516, 539; 463/47.2
See application file for complete search history.

(56) **References Cited**

U.S. PATENT DOCUMENTS

291,177	A *	1/1884	Felt	119/801
400,277	A *	3/1889	Walz	119/801
RE12,388	E *	9/1905	Bins	119/801
1,208,624	A *	12/1916	Newman	119/801
1,241,952	A	10/1917	French	
1,496,132	A	6/1924	Rombough	
2,604,069	A	9/1950	Hobby	
3,757,781	A	9/1973	Smart	
3,774,608	A	11/1973	Wohler, Jr.	
3,863,377	A	2/1975	Leonard	
3,934,584	A	1/1976	Corio	

OTHER PUBLICATIONS

International Search Report for International (PCT) Patent Application No. PCT/US2010/037931, mailed Aug. 3, 2010.

(Continued)

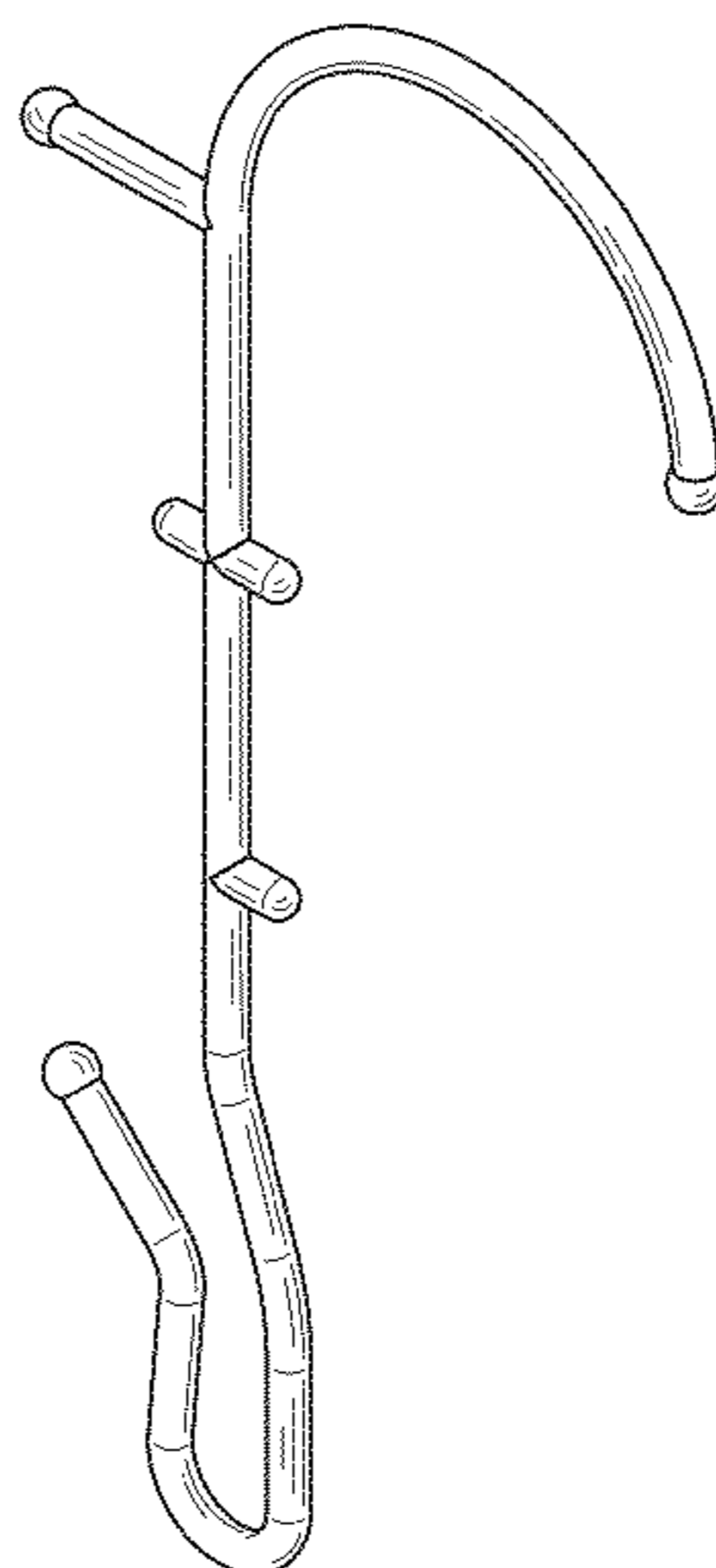
Primary Examiner — Caron D Veynar
Assistant Examiner — Martie K Holtje
(74) *Attorney, Agent, or Firm* — Sheridan Ross P.C.

(57) **CLAIM**
The ornamental design for an animal restraint, as shown and described.

DESCRIPTION

FIG. 1 is a top perspective view of an animal restraint showing our new design;
FIG. 2 is a bottom perspective view thereof;
FIG. 3 is a left side elevational view thereof;
FIG. 4 is a top plan view thereof;
FIG. 5 is a front elevational view thereof;
FIG. 6 is a right side elevational view thereof;
FIG. 7 is a rear elevational view thereof; and,
FIG. 8 is a bottom plan view thereof.

1 Claim, 4 Drawing Sheets



(56)

References Cited

U.S. PATENT DOCUMENTS

7,135,010 B2 11/2006 Buckman et al.
7,360,501 B2 * 4/2008 Jacobsen 119/72
7,611,413 B2 * 11/2009 Ryan et al. 463/47.2
7,611,504 B1 * 11/2009 Faries et al. 604/539
7,621,903 B2 11/2009 DeLegge
8,448,609 B2 5/2013 Ritchey et al.
2001/0032444 A1 10/2001 Baugher
2005/0224004 A1 10/2005 Jacobbsen
2007/0106229 A1 5/2007 Wong
2007/0161952 A1 7/2007 Faries et al.
2009/0090743 A1 4/2009 Ostermeier et al.

2011/0062189 A1 3/2011 Kapec et al.
2011/0068122 A1 3/2011 Barker
2011/0168106 A1 * 7/2011 Ritchey et al. 119/712
2011/0172641 A1 * 7/2011 Ritchey et al. 604/516

OTHER PUBLICATIONS

International Preliminary Report on Patentability and Written Opinion for International (PCT) Patent Application No. PCT/US2010/037931, mailed Jul. 19, 2012, 9 pages.
U.S. Appl. No. 13/871,833, filed Apr. 26, 2013, Ritchey et al.
U.S. Appl. No. 13/890,952, filed May 9, 2013, Ritchey et al.

* cited by examiner

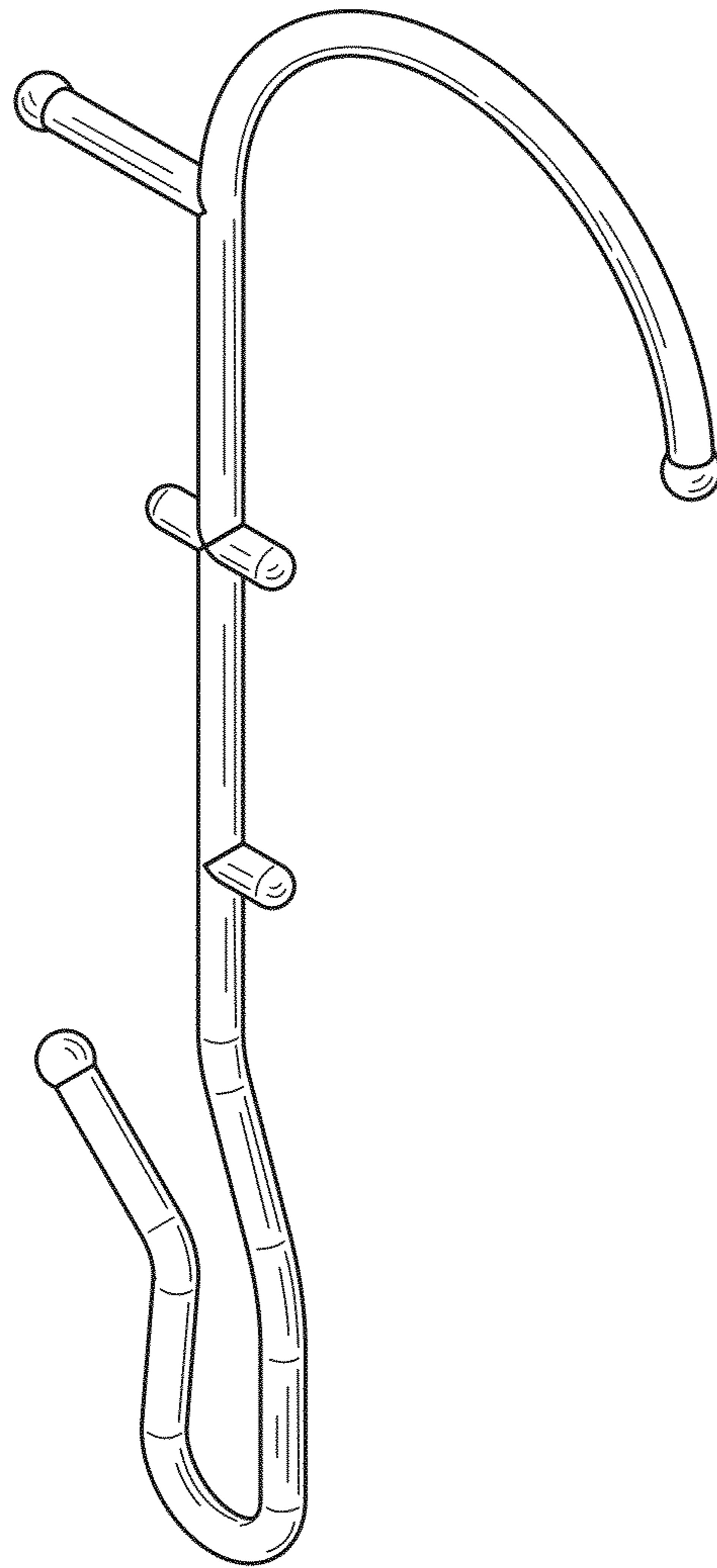


FIG. 1

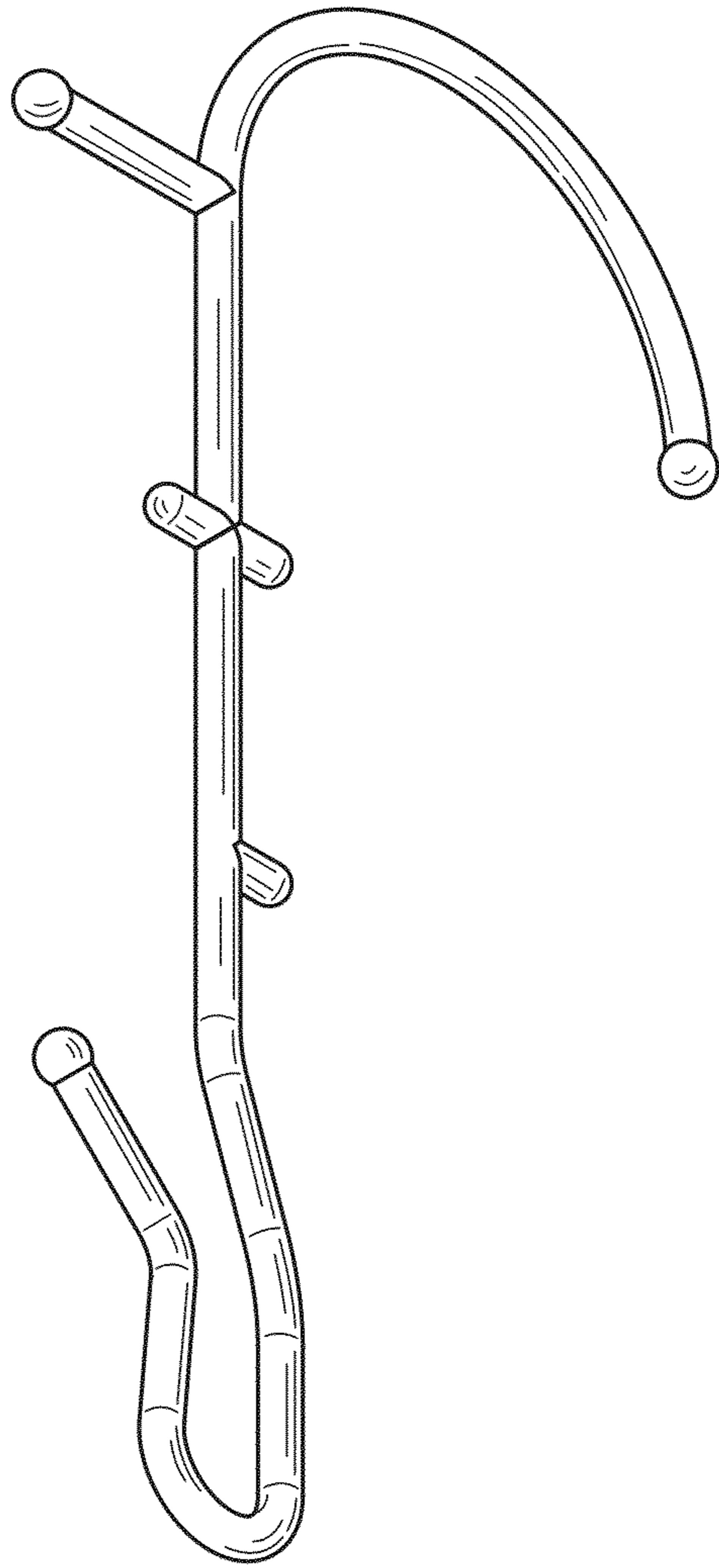


FIG. 2

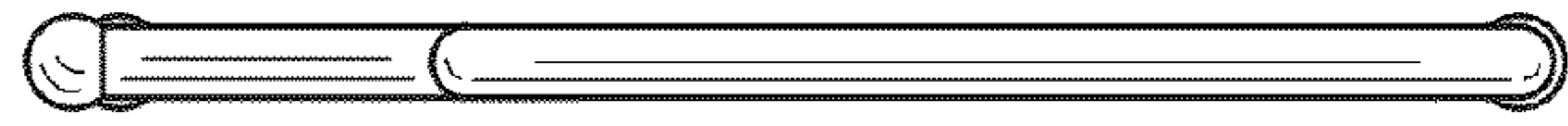


FIG. 4

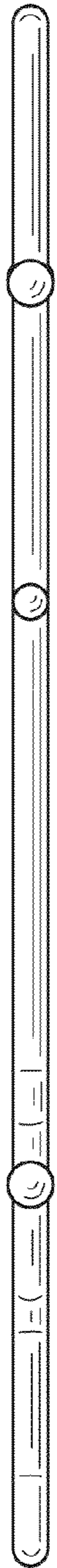


FIG. 3

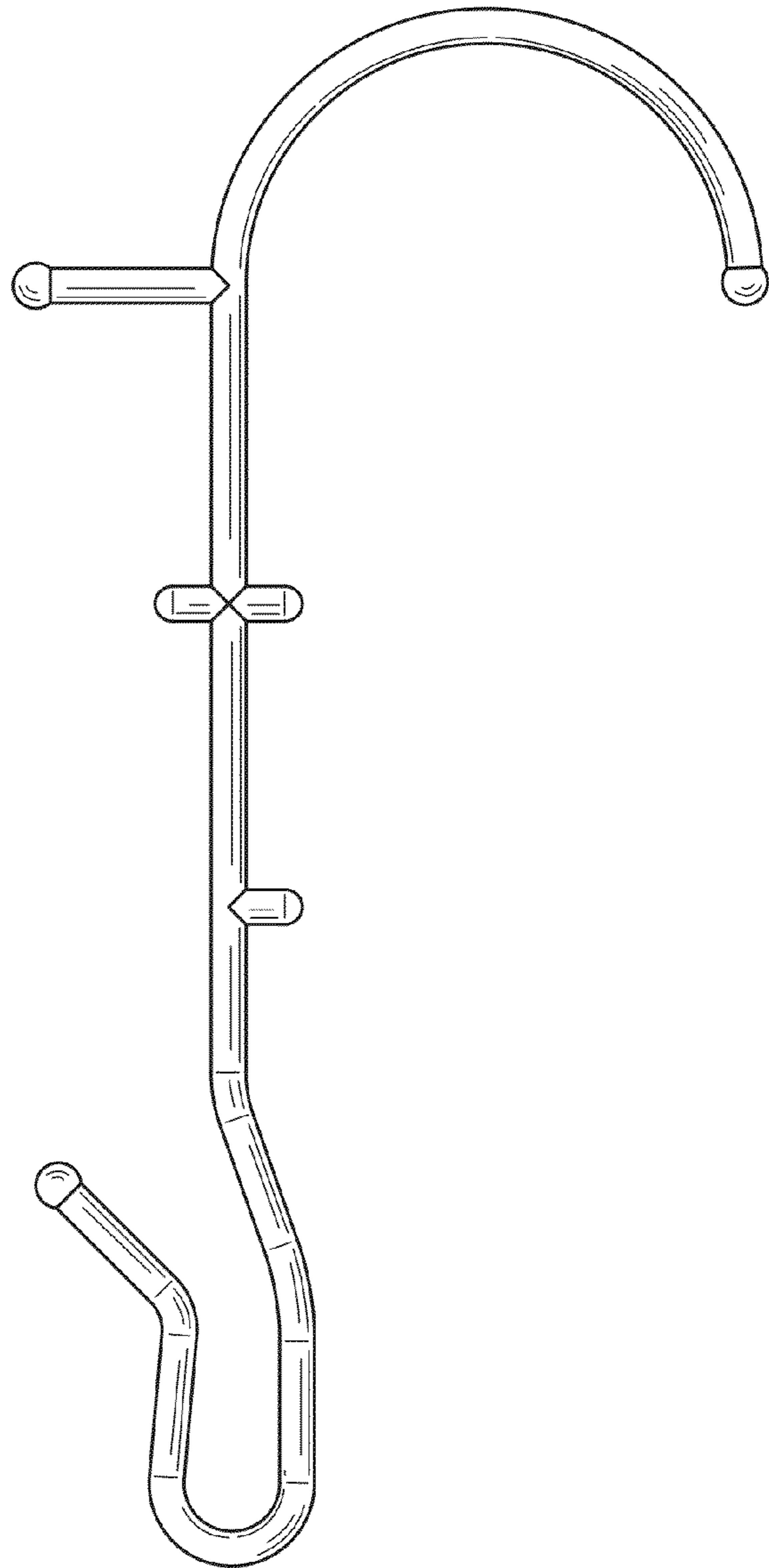


FIG. 5



FIG. 6

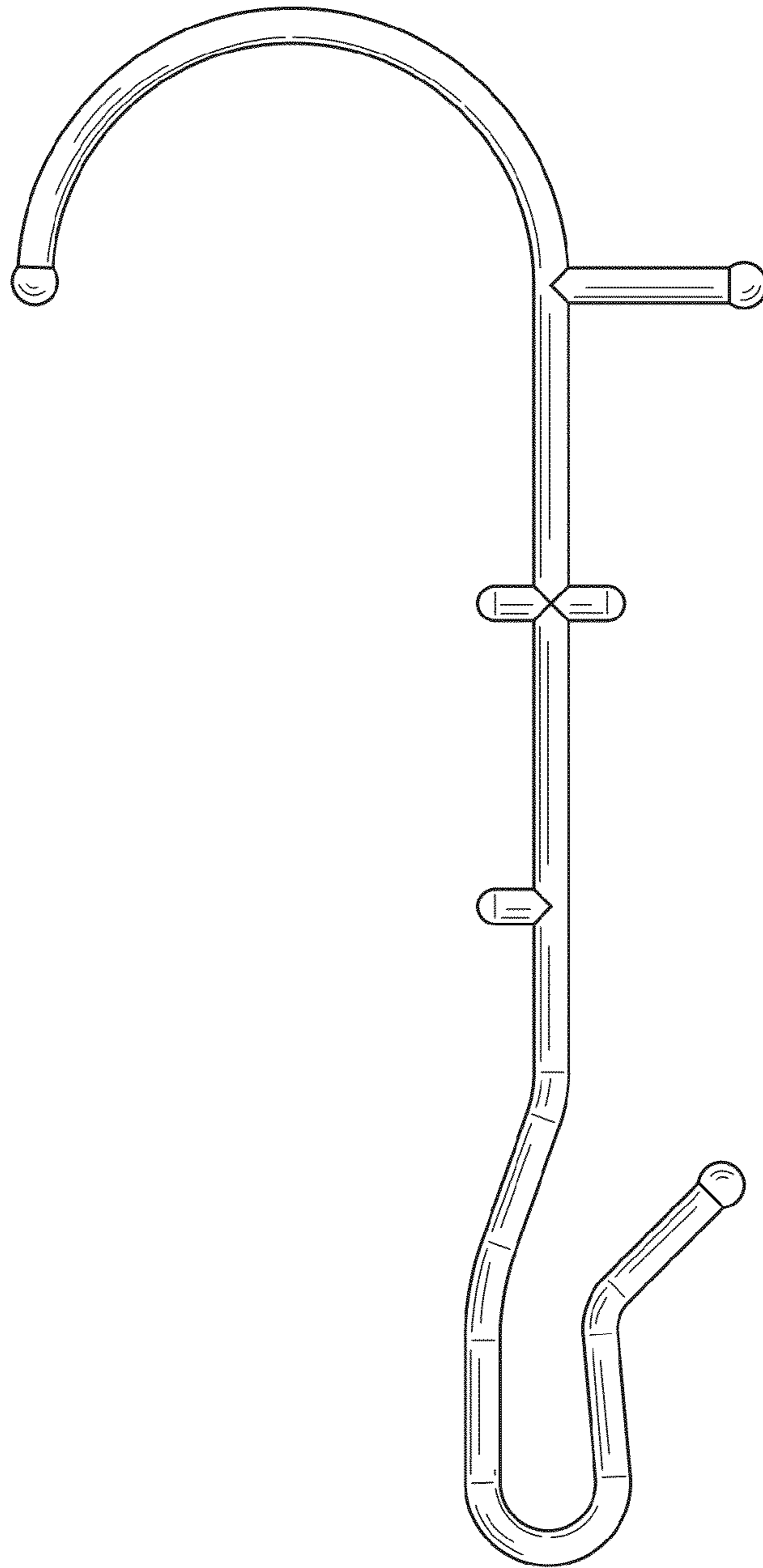


FIG. 7

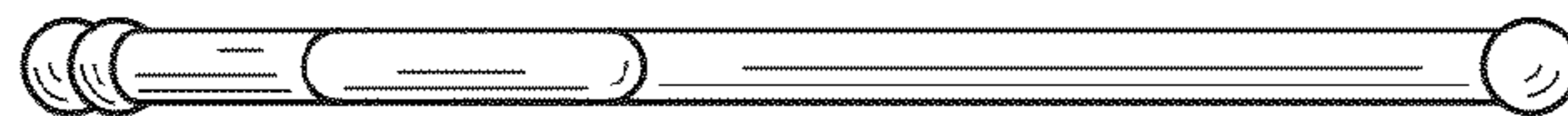


FIG. 8