

US00D697673S

(12) **United States Design Patent**  
**Wright**

(10) **Patent No.:** **US D697,673 S**

(45) **Date of Patent:** **\*\* Jan. 14, 2014**

(54) **HAIR DRYER HOLDER**

(71) Applicant: **Taymor Industries U.S.A. Inc.,**  
Hayward, CA (US)

(72) Inventor: **Randy J. Wright, Hayward, CA (US)**

(\*\*) Term: **14 Years**

(21) Appl. No.: **29/452,458**

(22) Filed: **Apr. 16, 2013**

(51) **LOC (10) Cl.** ..... **28-03**

(52) **U.S. Cl.**  
USPC ..... **D28/73; D28/38; D6/566**

(58) **Field of Classification Search**  
USPC ..... 248/117.1-117.7, 249, 302, 176.2;  
D8/373; D28/38, 73; D6/567, 570, 566  
See application file for complete search history.

(56) **References Cited**

**U.S. PATENT DOCUMENTS**

94,127	A *	8/1869	Oatley	.....	211/88.01
2,577,473	A *	12/1951	McEwen	.....	211/106
4,672,703	A *	6/1987	Frazier	.....	211/70.6
D295,247	S *	4/1988	Chap	.....	D6/566
4,762,979	A *	8/1988	Geoffroi	.....	248/117.1
D332,670	S *	1/1993	McFarland	.....	D28/38

D377,695	S *	1/1997	Puckett	.....	D28/38
D426,025	S *	5/2000	Holmes et al.	.....	D28/38
D558,923	S *	1/2008	Watson et al.	.....	D28/48
D657,201	S *	4/2012	Chen	.....	D7/600.1
D669,636	S *	10/2012	Goodman et al.	.....	D28/73
D679,095	S *	4/2013	Williams et al.	.....	D3/328
2008/0164384	A1 *	7/2008	Rosen	.....	248/117.1

\* cited by examiner

*Primary Examiner* — Jennifer Rivard

(57) **CLAIM**

The ornamental design for a hair dryer holder, as shown.

**DESCRIPTION**

FIG. 1 is a perspective view of a hair dryer holder showing an embodiment of my new design;

FIG. 2 is a front view of the hair dryer holder shown in FIG. 1;

FIG. 3 is a rear view of the hair dryer holder shown in FIG. 1;

FIG. 4 is a top view of the hair dryer holder shown in FIG. 1;

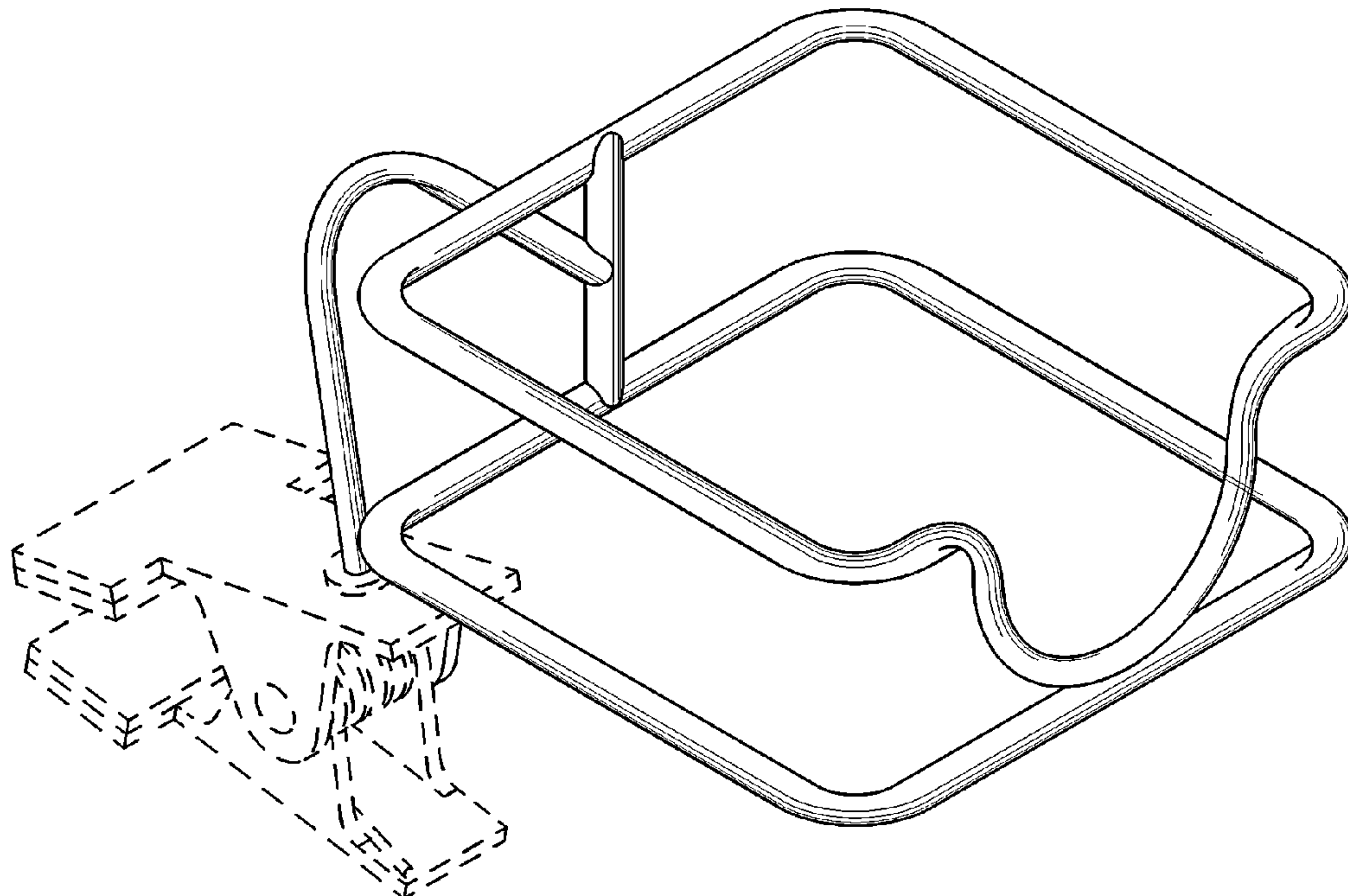
FIG. 5 is a bottom view of the hair dryer holder shown in FIG. 1;

FIG. 6 is a right side view of the hair dryer holder shown in FIG. 1; and,

FIG. 7 is a left side view of the hair dryer holder shown in FIG. 1.

The broken lines shown in the drawings illustrate the environment and form no part of the claimed design.

**1 Claim, 4 Drawing Sheets**



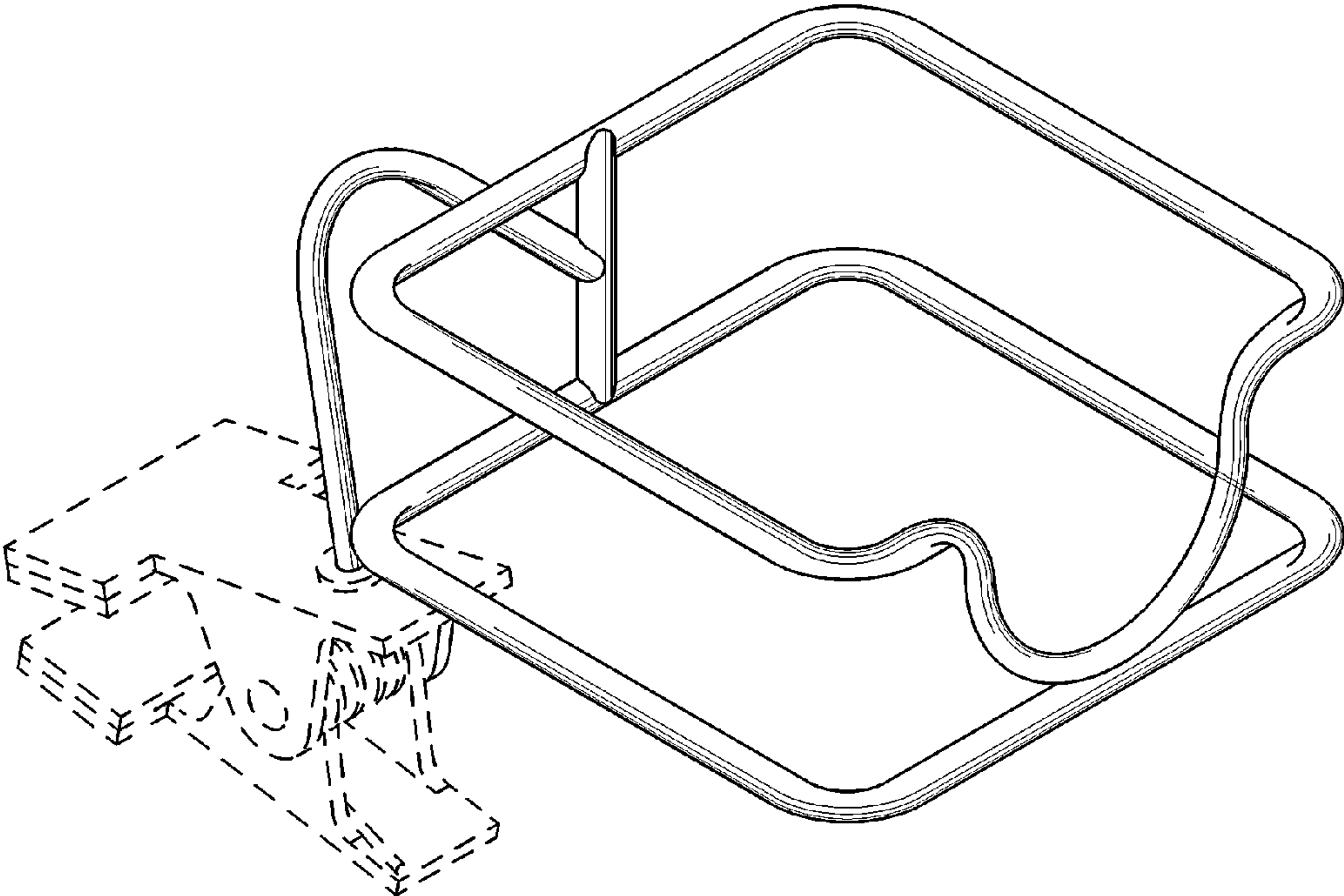


Fig. 1

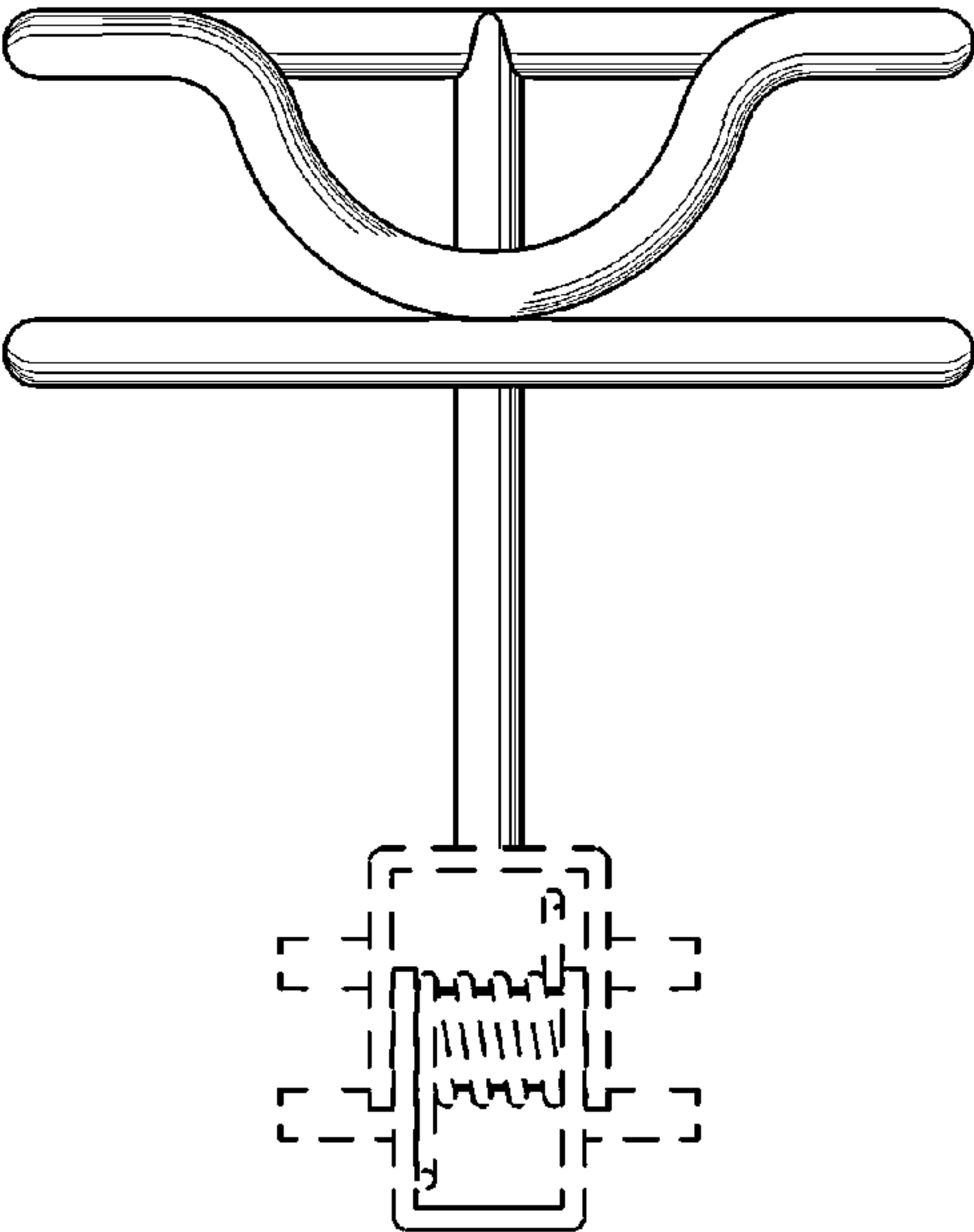
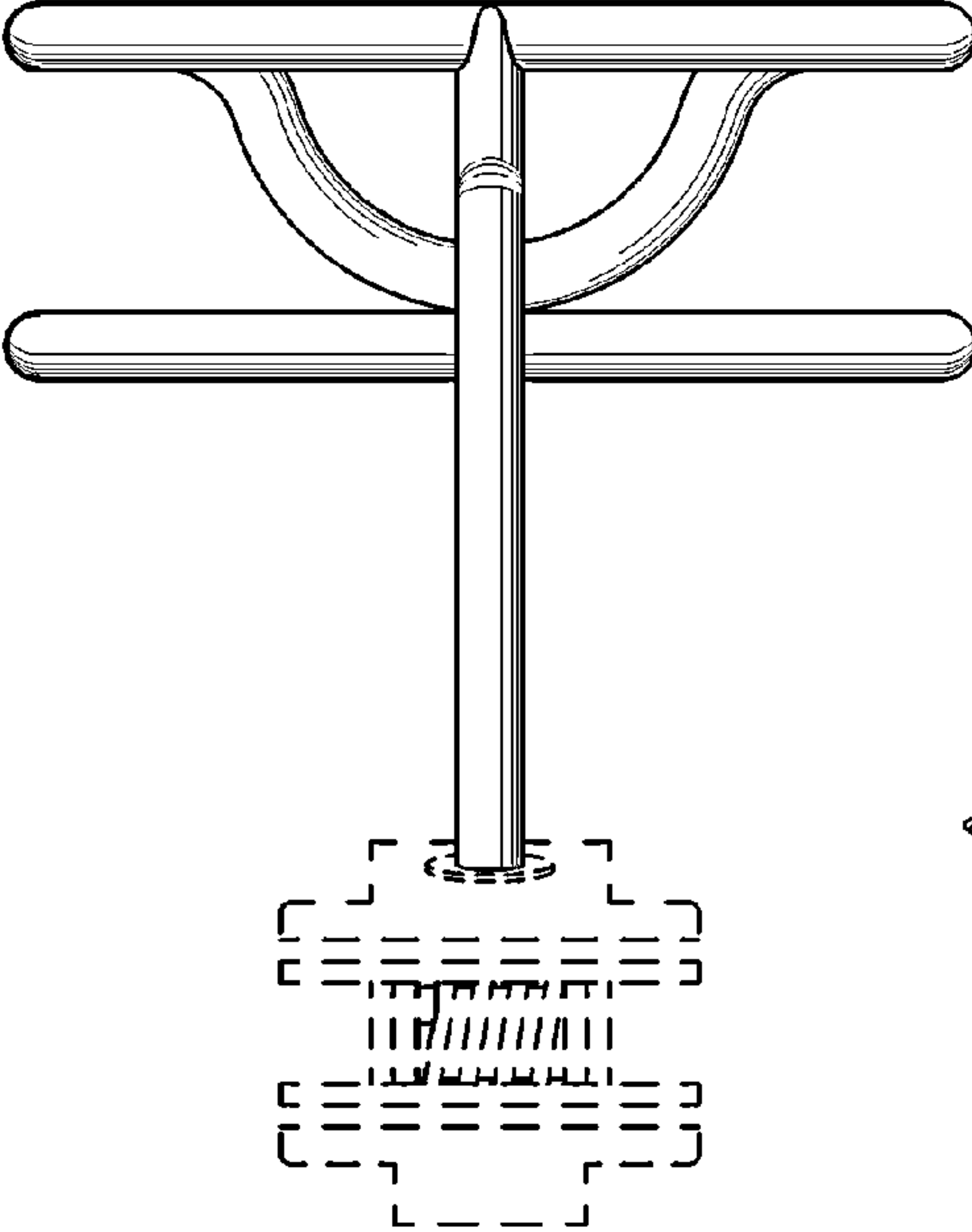
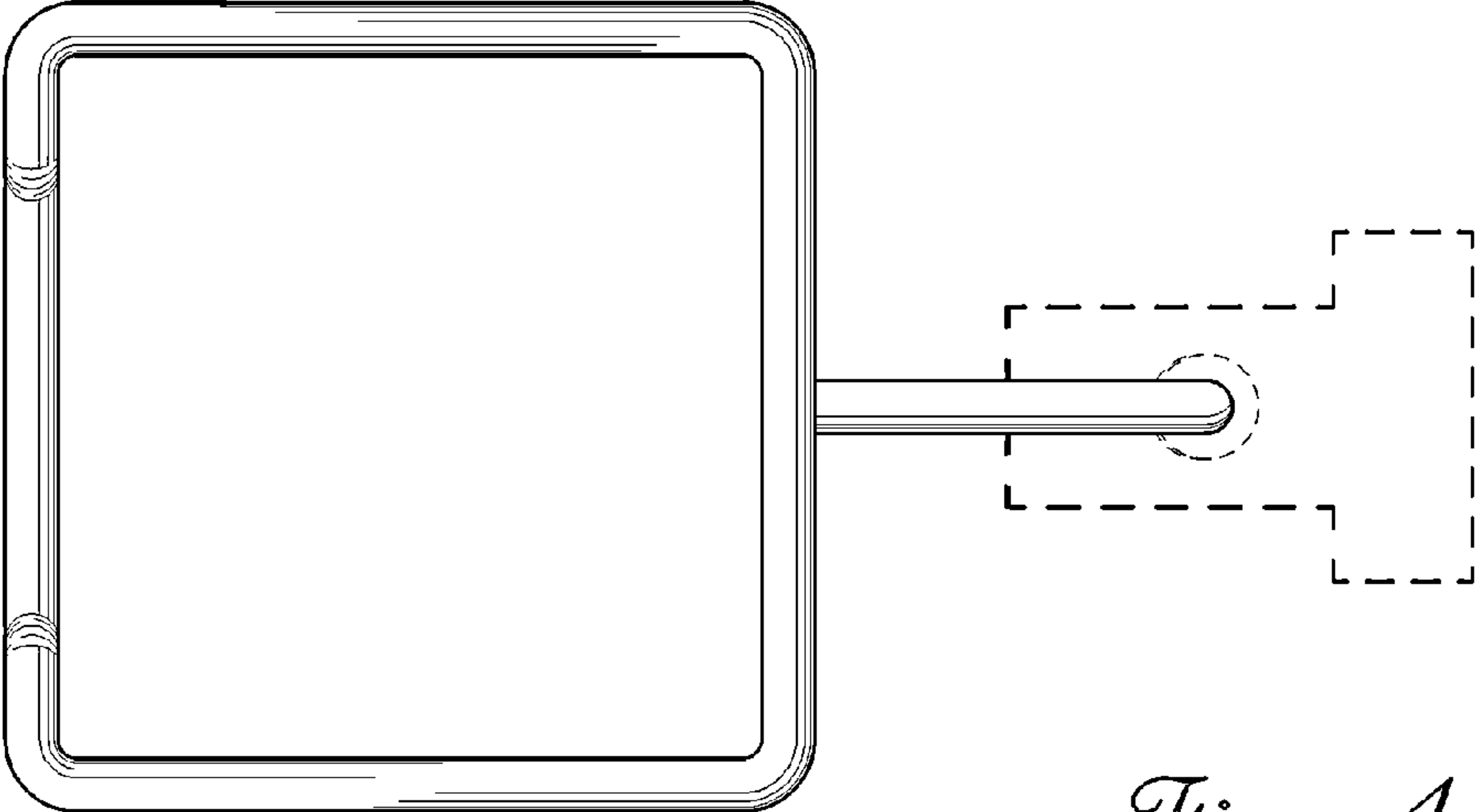


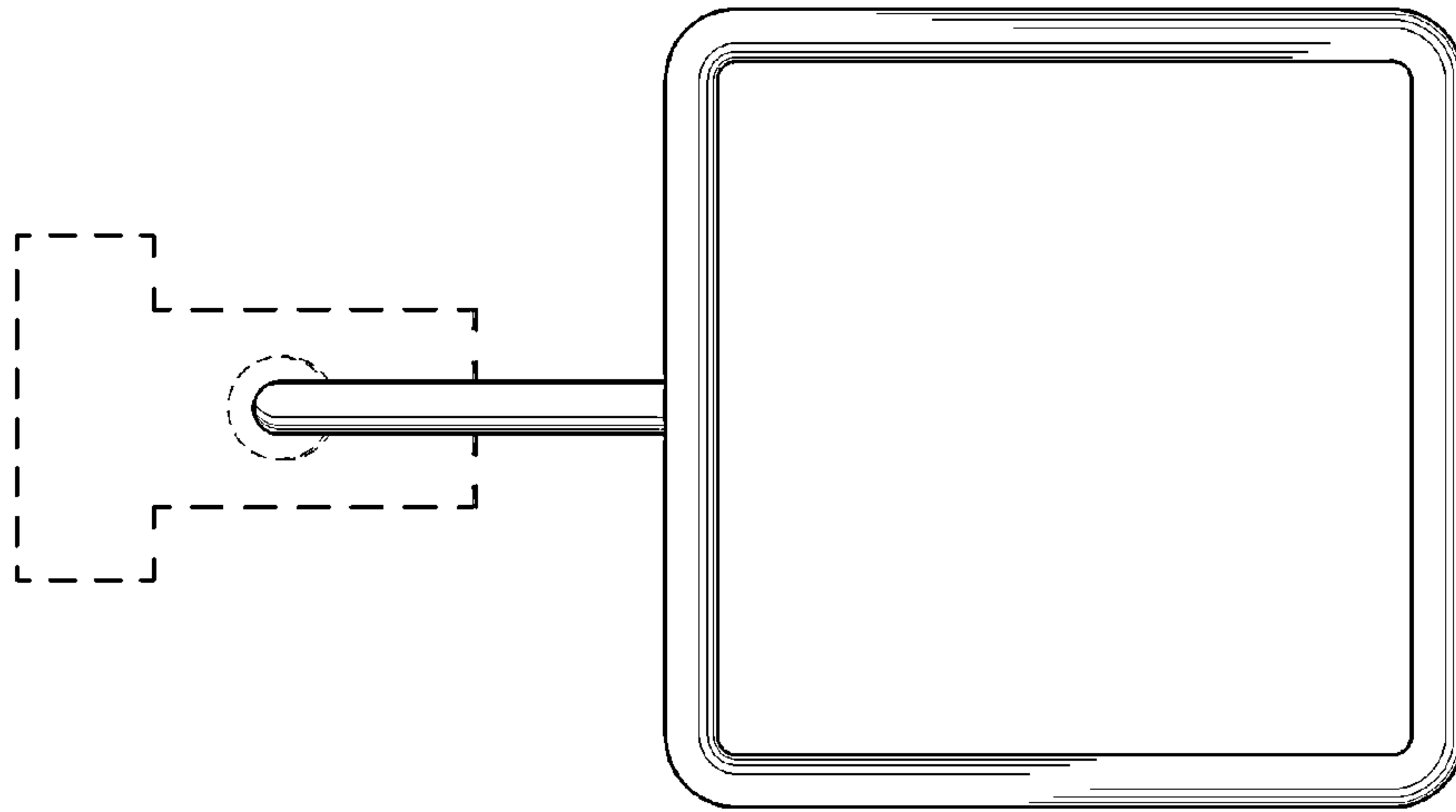
Fig. 2



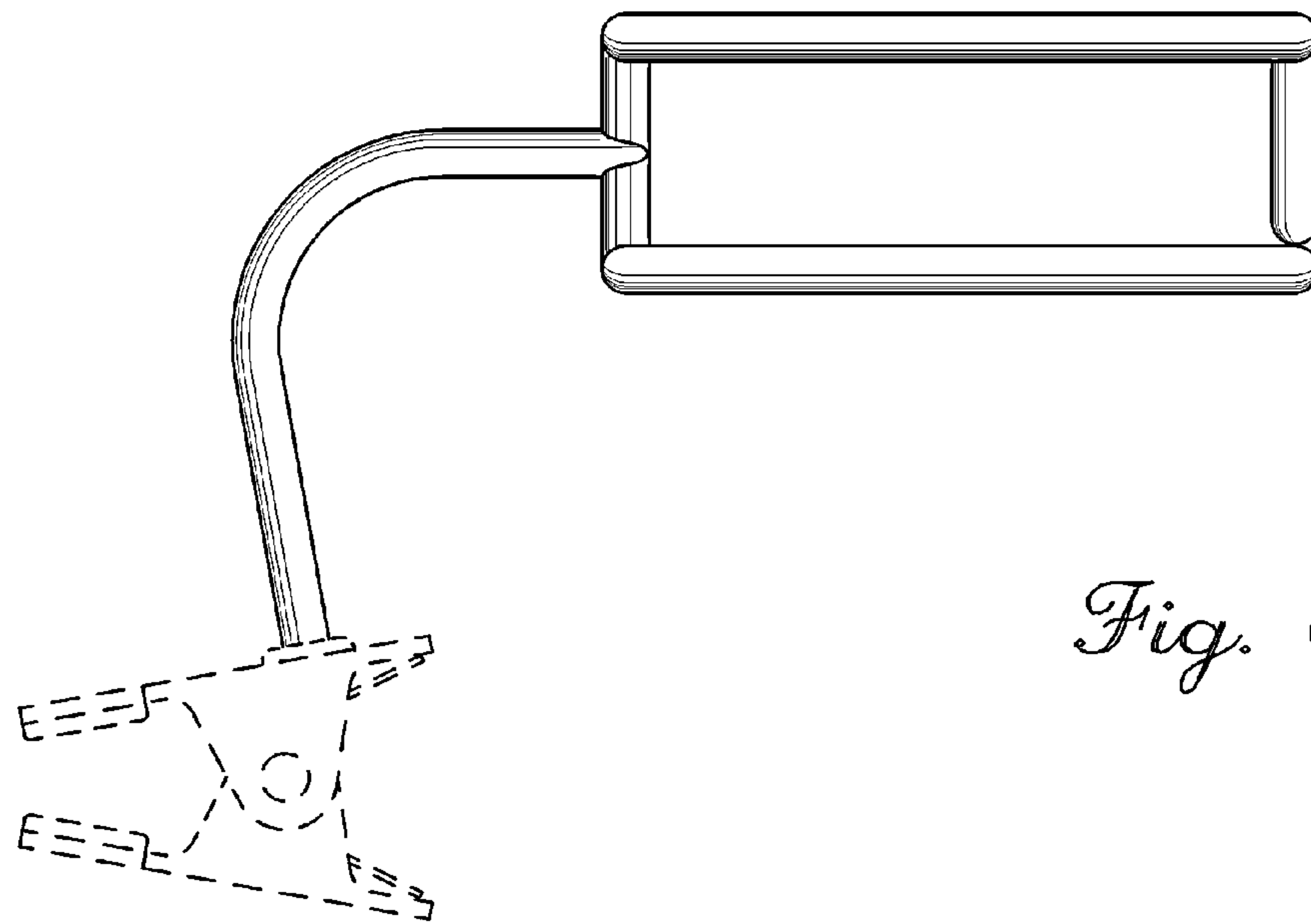
*Fig. 3*



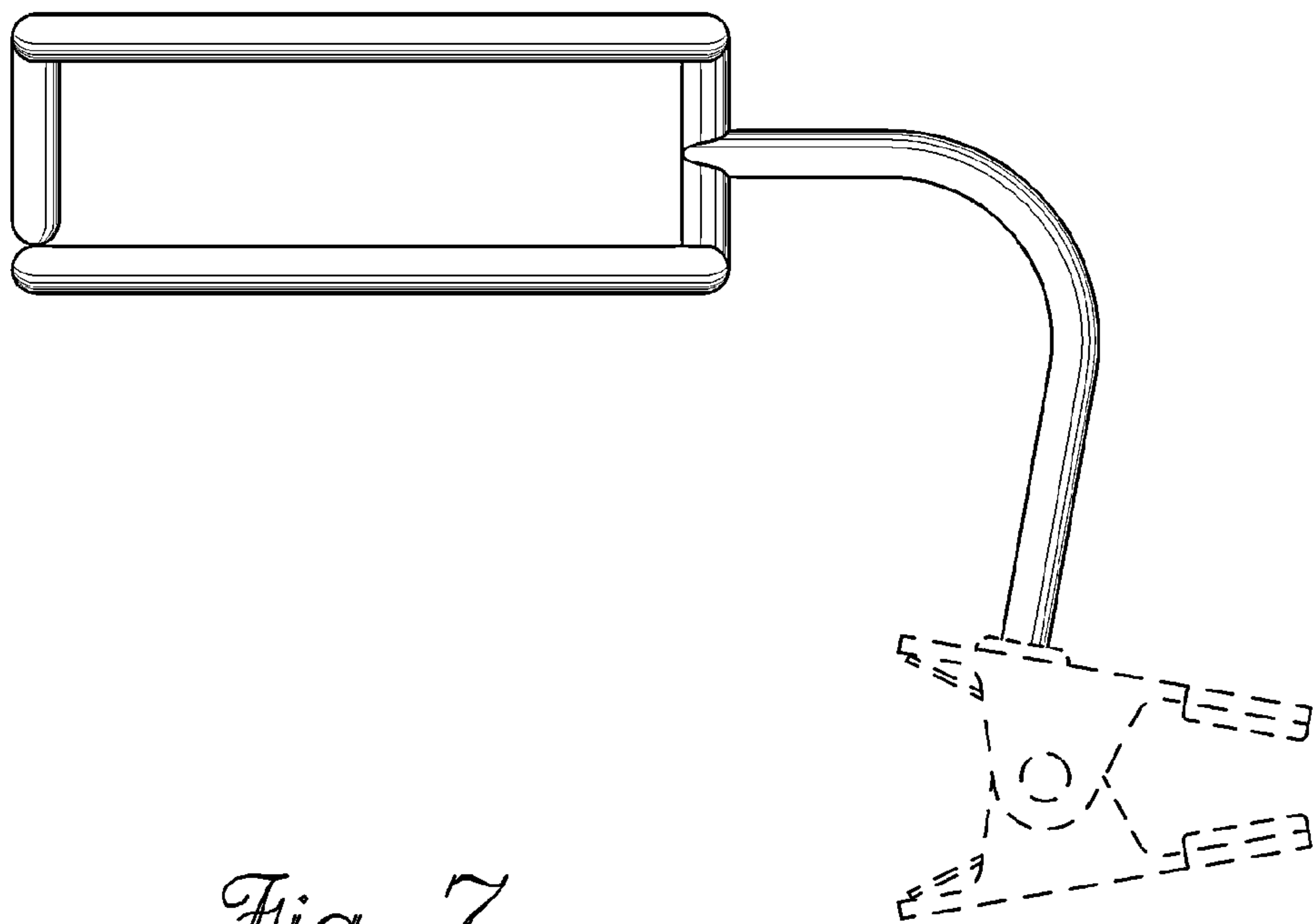
*Fig. 4*



*Fig. 5*



*Fig. 6*



*Fig. 7*