



US00D697672S

(12) **United States Design Patent**
Pheng

(10) **Patent No.:** **US D697,672 S**
(45) **Date of Patent:** **** Jan. 14, 2014**

(54) **NAIL TOOL HOLDER**

(76) Inventor: **Chanty Pheng**, Cranston, RI (US)

(**) Term: **14 Years**

(21) Appl. No.: **29/410,602**

(22) Filed: **Jan. 10, 2012**

(51) **LOC (10) Cl.** **28-03**

(52) **U.S. Cl.**
USPC **D28/61; D28/73**

(58) **Field of Classification Search**
USPC D28/61, 73; 422/300; 206/581, 823,
206/361-362.2, 15.2; 132/73, 73.5, 75,
132/286, 287, 314, 315
See application file for complete search history.

(56) **References Cited**

U.S. PATENT DOCUMENTS

D303,024 S *	8/1989	Zall	D28/76
D373,445 S *	9/1996	Wright-Godley	D28/61
D374,948 S *	10/1996	Mers	D28/61
5,918,605 A *	7/1999	Real	132/73
D454,982 S *	3/2002	Renfrew	D28/73
6,742,526 B1 *	6/2004	Riester	132/73

D497,453 S *	10/2004	Dashefsky	D28/61
8,499,768 B1 *	8/2013	Pheng	132/73.5
2004/0112397 A1 *	6/2004	Riester	132/73
2007/0258871 A1 *	11/2007	Sakurai et al.	422/190
2010/0108087 A1 *	5/2010	Fitz et al.	132/75

* cited by examiner

Primary Examiner — Jennifer Rivard

(74) *Attorney, Agent, or Firm* — Salter & Michaelson

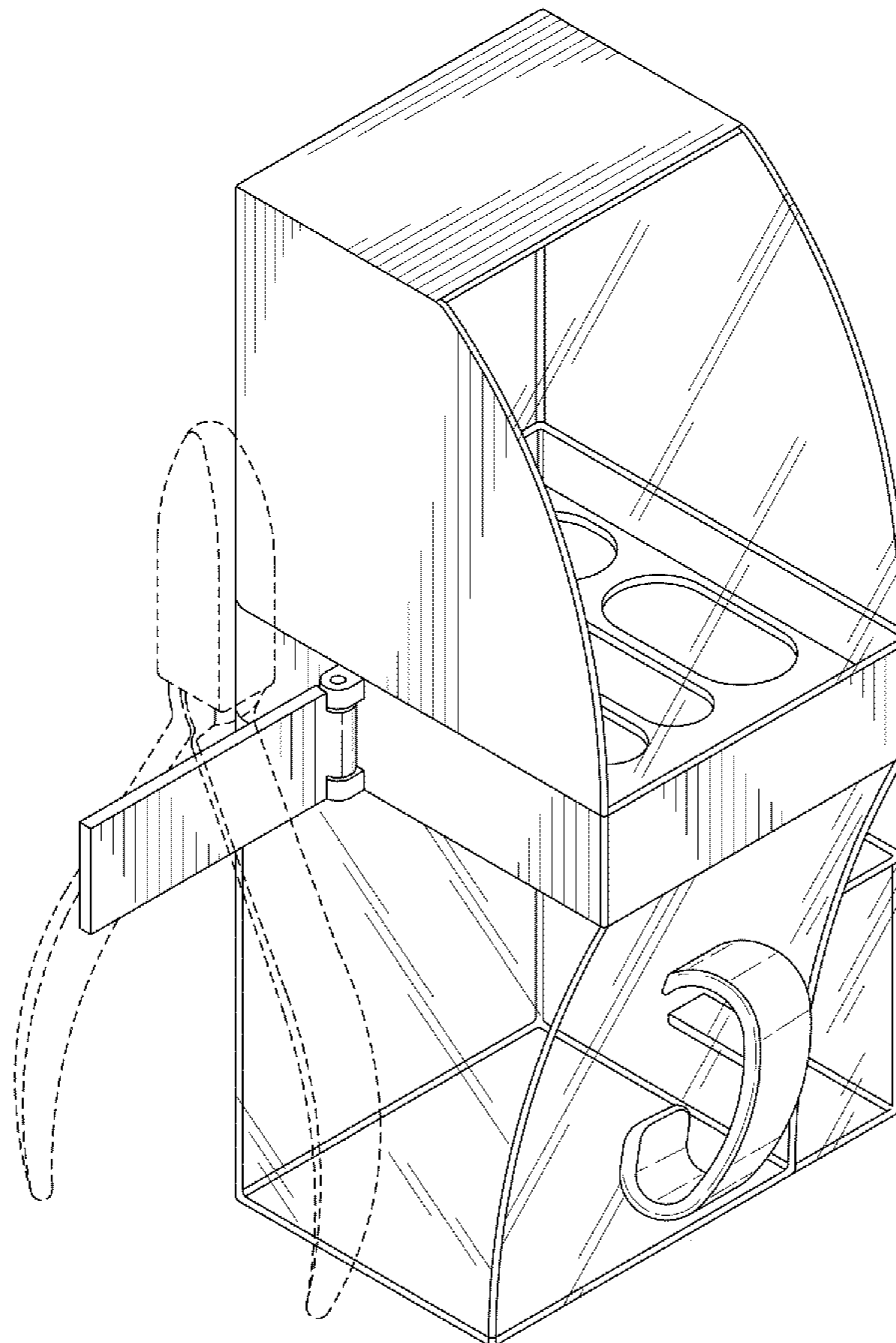
(57) **CLAIM**

The ornamental design for a nail tool holder, as shown and described.

DESCRIPTION

FIG. 1 is a perspective view of a nail tool holder;
FIG. 2 is a front elevational view thereof;
FIG. 3 is a rear elevational view thereof;
FIG. 4 is a left side elevational view thereof;
FIG. 5 is a right side elevational view thereof;
FIG. 6 is a top plan view thereof; and,
FIG. 7 is a bottom plan view thereof.
The broken line showing of the nail clipper is included for the purpose of illustrating the environment of the nail tool holder and forms no part of the claimed design.

1 Claim, 7 Drawing Sheets



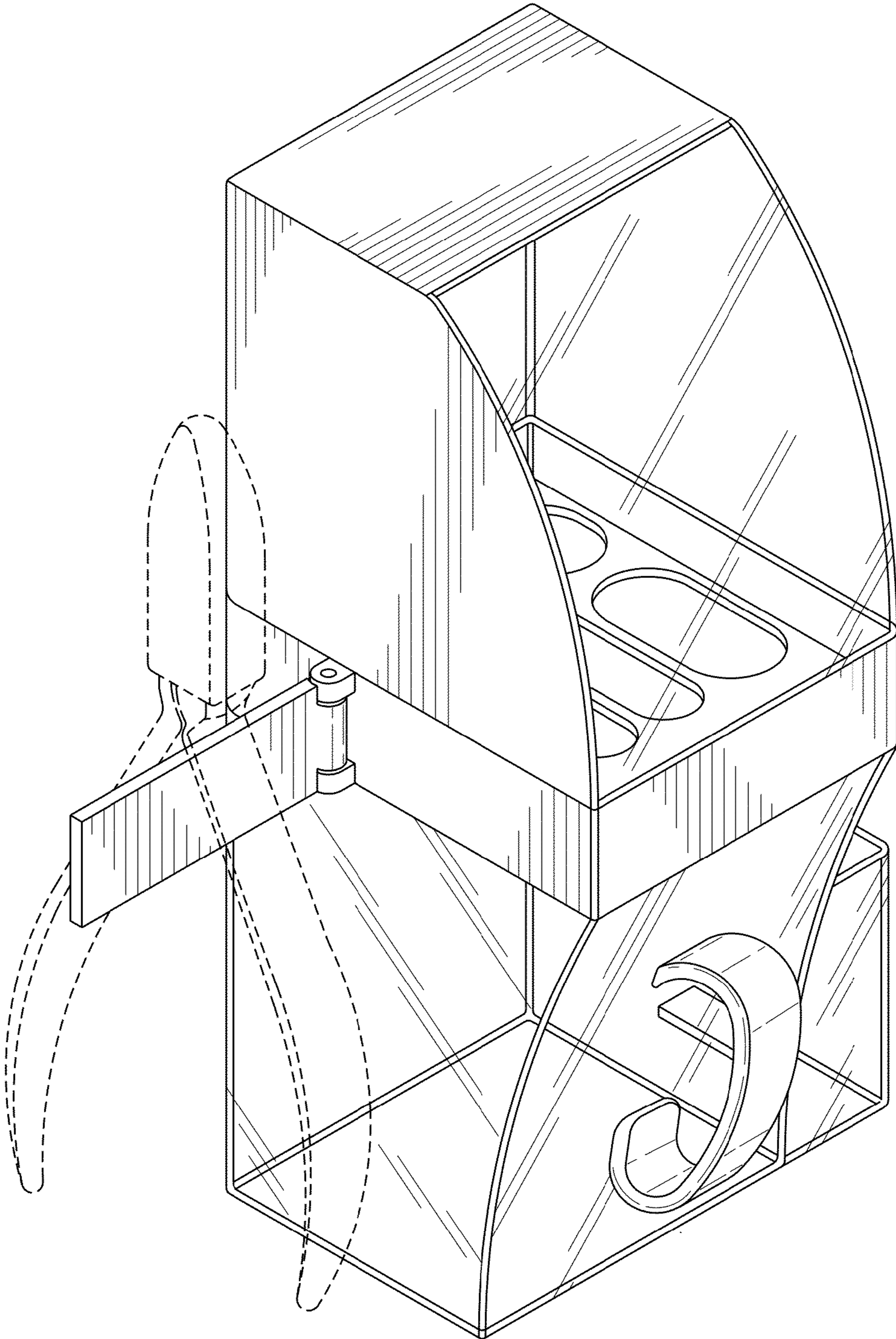


FIG. 1

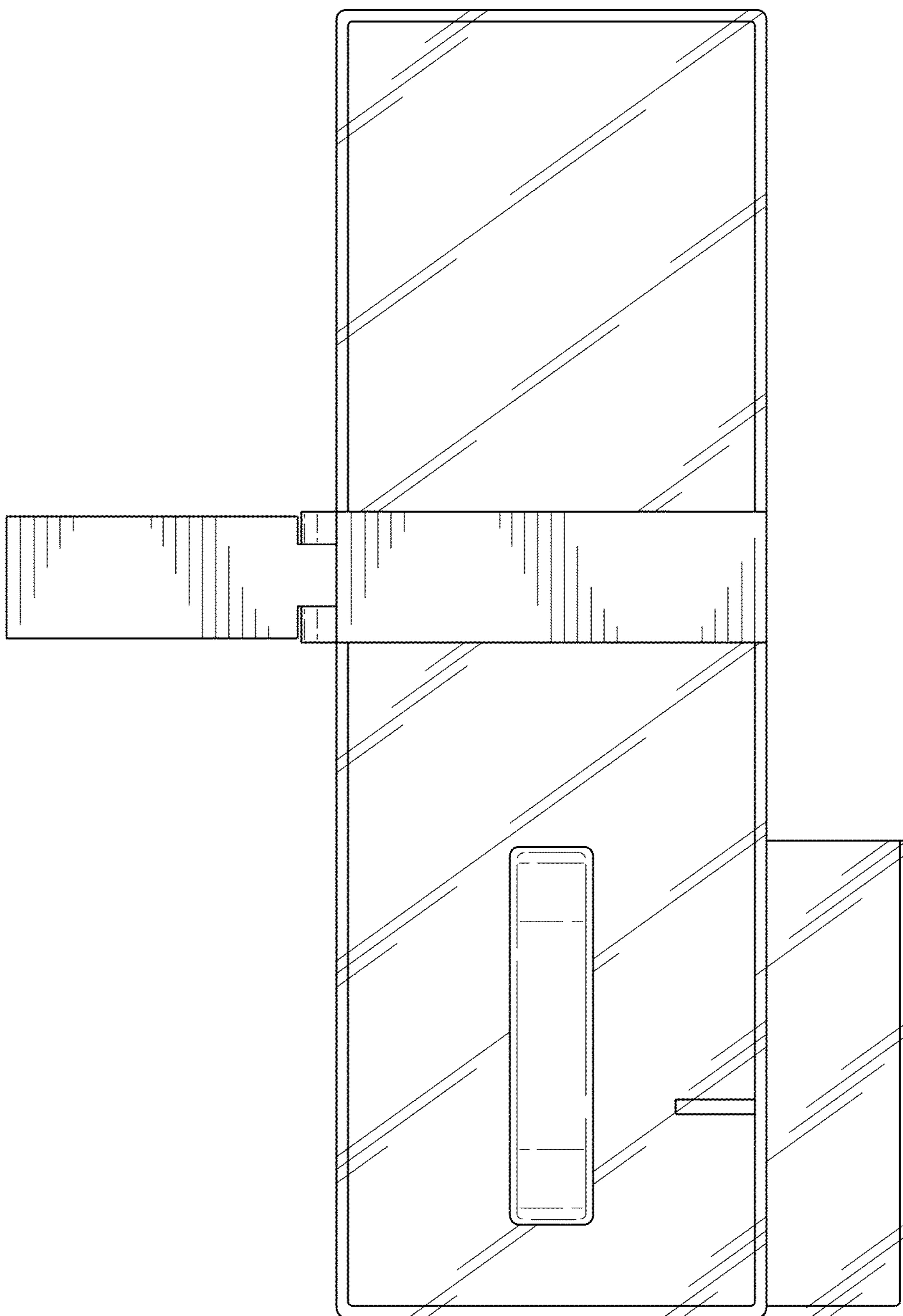


FIG. 2

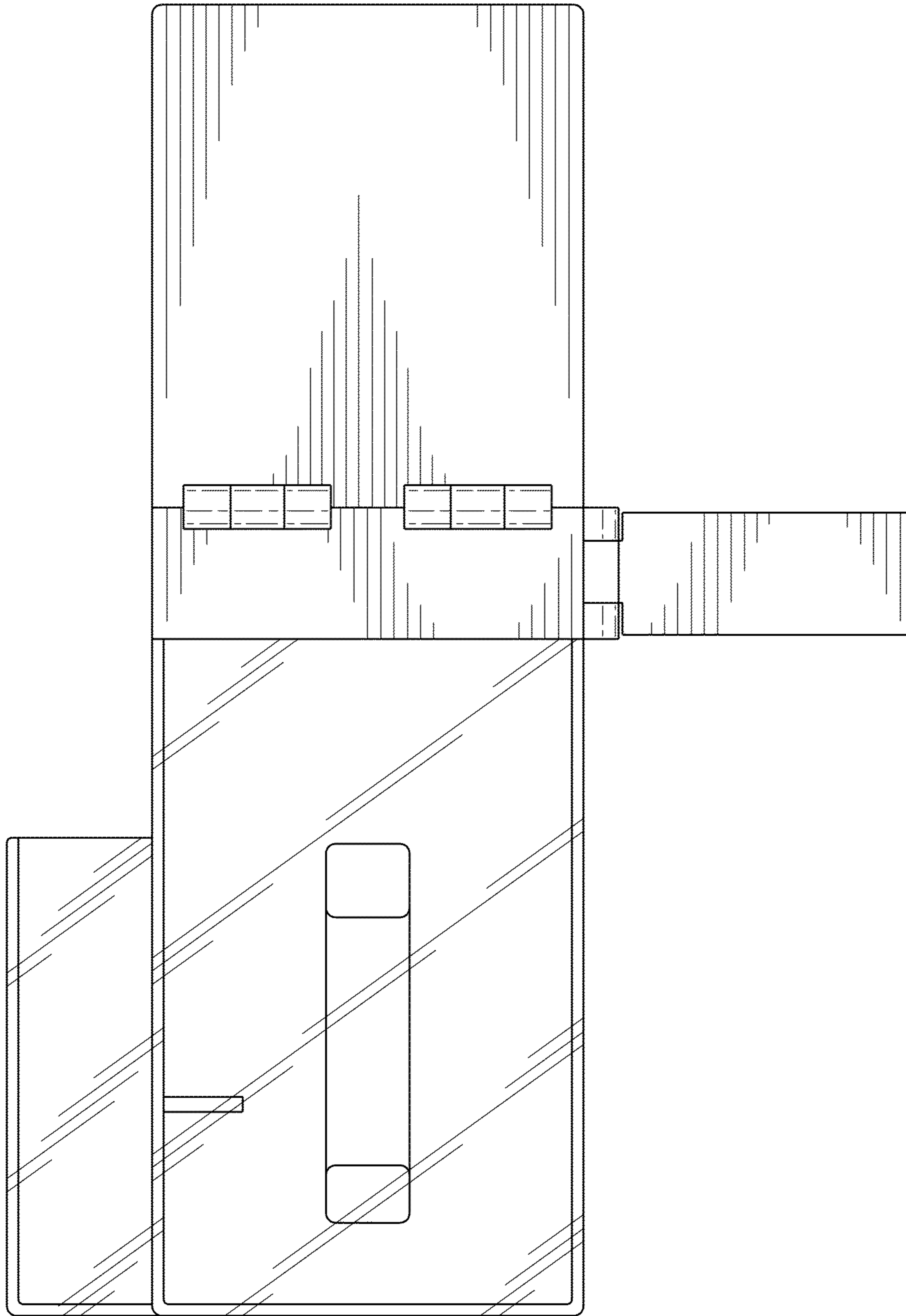


FIG. 3

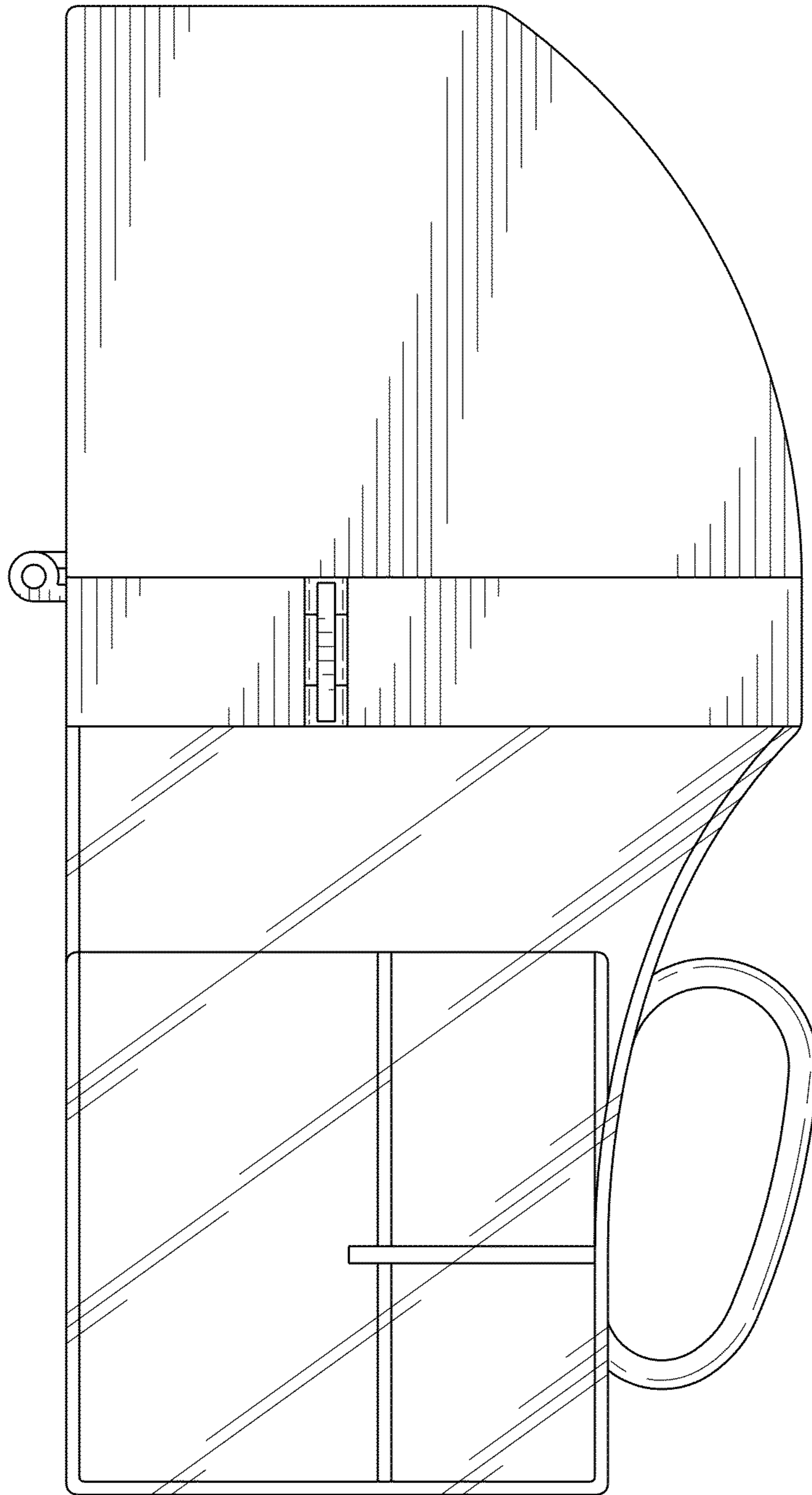


FIG. 4

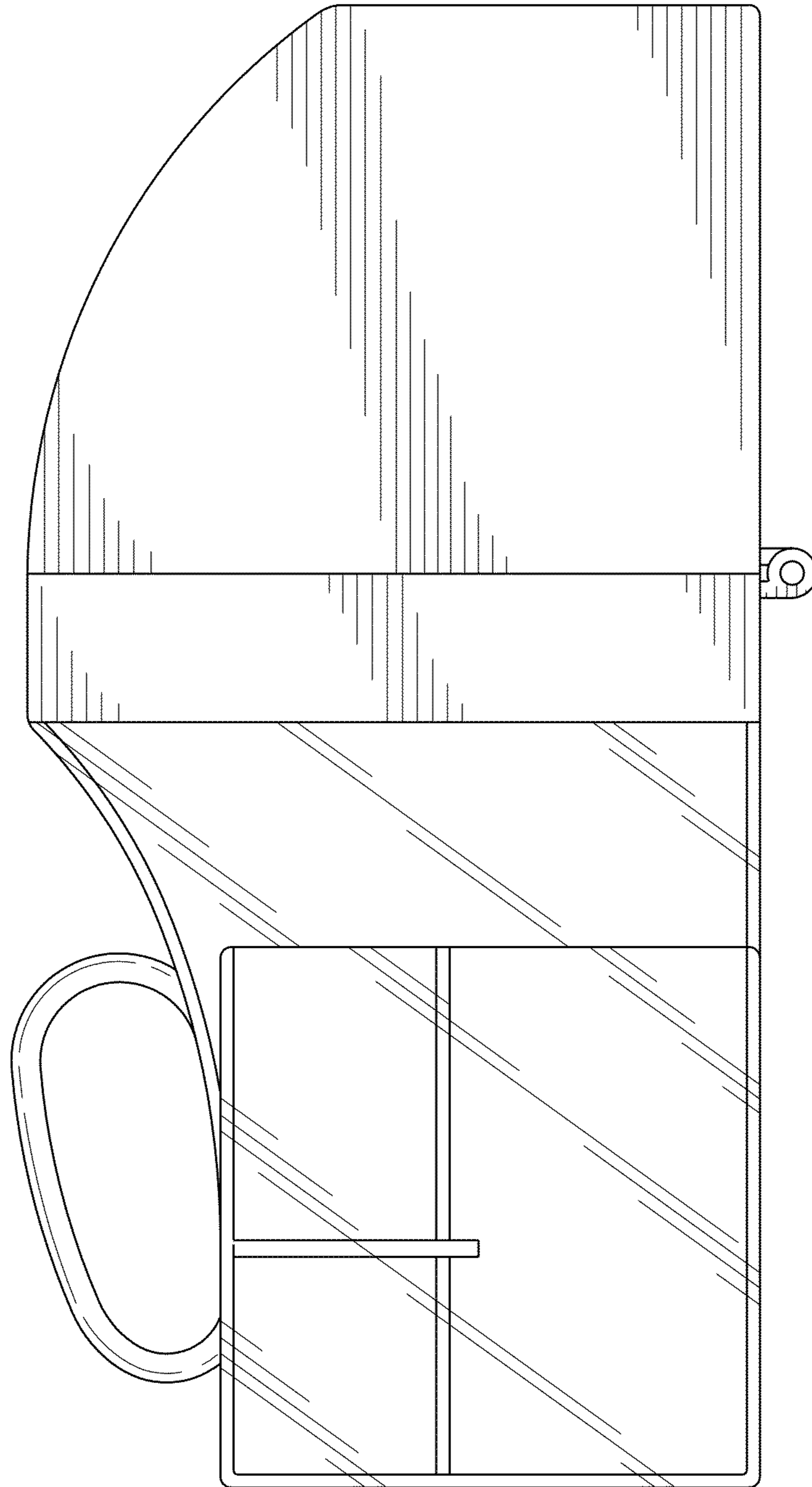


FIG. 5

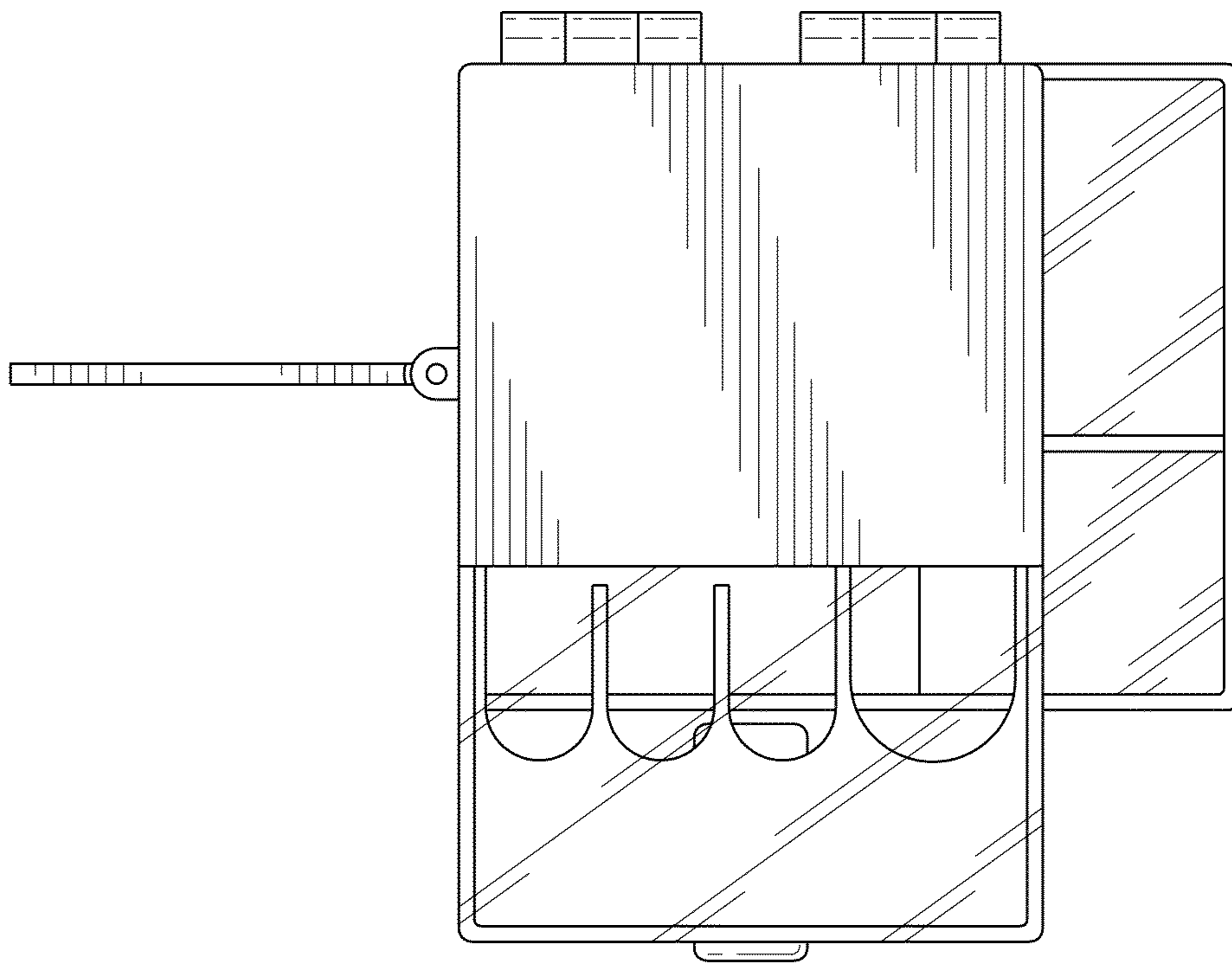


FIG. 6

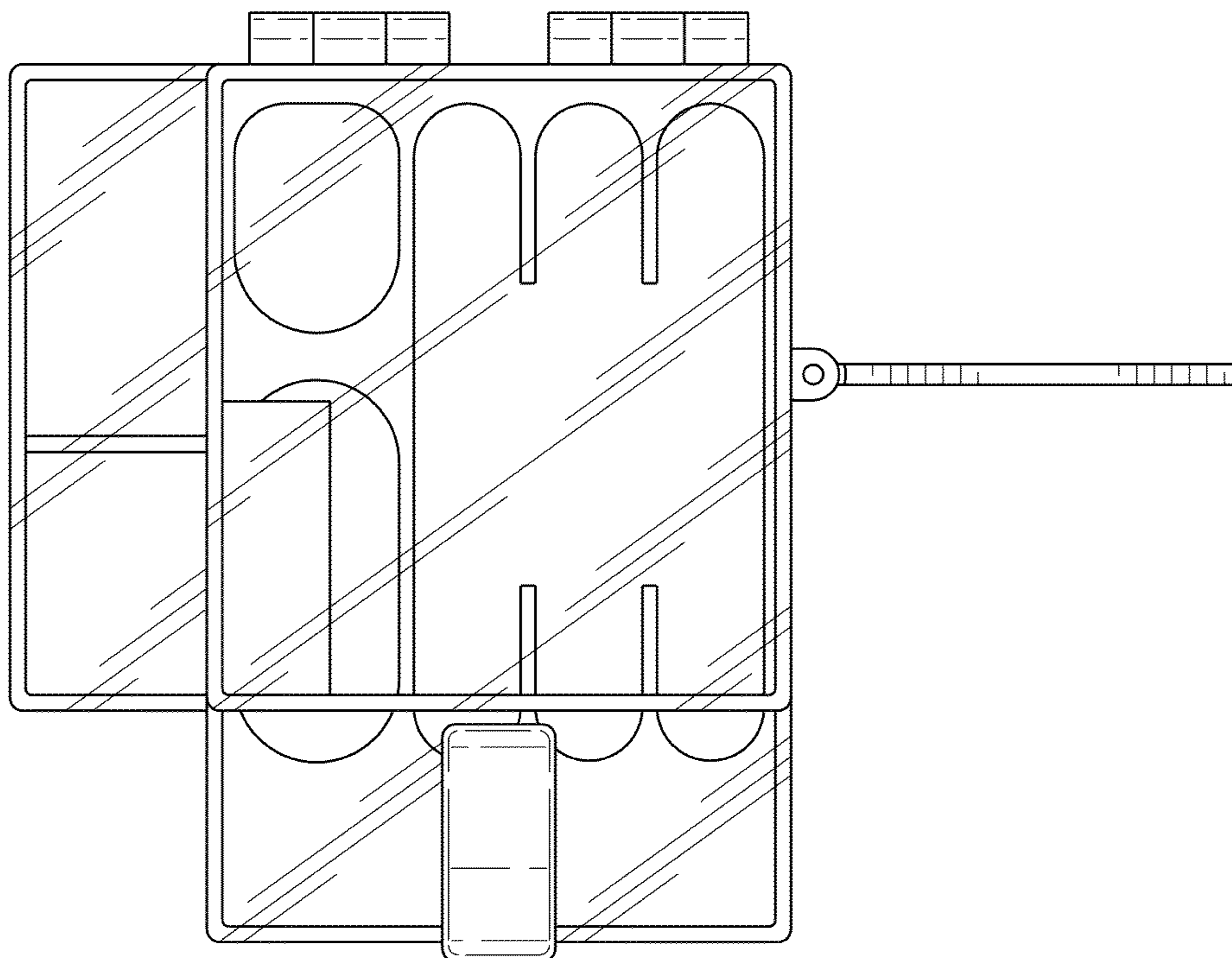


FIG. 7