



US00D697663S

(12) **United States Design Patent**
Speier et al.

(10) **Patent No.:** **US D697,663 S**
(45) **Date of Patent:** **** Jan. 14, 2014**

- (54) **LUMINAIRE**
- (71) Applicant: **Quarkstar LLC**, Las Vegas, NV (US)
- (72) Inventors: **Ingo Speier**, Saanichton (CA); **Wilson Dau**, Calgary (CA)
- (73) Assignee: **Quarkstar LLC**, Las Vegas, NV (US)
- (**) Term: **14 Years**
- (21) Appl. No.: **29/452,836**
- (22) Filed: **Apr. 22, 2013**
- (51) **LOC (10) Cl.** **26-99**
- (52) **U.S. Cl.**
USPC **D26/118**
- (58) **Field of Classification Search**
USPC D26/152, 113, 118, 119, 154, 61, 62,
D26/65, 75, 16, 1, 2, 3, 120, 138, 128, 155,
D26/76, 121, 124, 125, 123, 141, 142, 66,
D26/68, 86, 71, 72, 77, 78, 151, 145, 74, 85,
D26/89, 82, 84, 92, 87, 136, 63, 59, 58, 28,
D26/88, 11, 9, 22, 81, 127, 129, 130, 131,
D26/133, 134, 135, 55; D13/179, 180;
362/219, 223, 225, 347, 346, 373, 326,
362/283, 249.02, 362, 374, 375, 408, 327,
362/328, 404, 297, 147, 149, 249.03,
362/249.11; D23/377, 411, 413; D11/89,
D11/90, 96, 157, 160; D99/27, 26
See application file for complete search history.

- (56) **References Cited**
U.S. PATENT DOCUMENTS
3,922,073 A * 11/1975 Schwartz 362/355
4,175,360 A * 11/1979 Mulvey 52/28
4,344,111 A * 8/1982 Ruud et al. 362/33
4,575,788 A * 3/1986 Lewin 362/346
D365,159 S * 12/1995 Tinen D25/138
D428,516 S * 7/2000 Reo et al. D26/118

- D437,446 S * 2/2001 Reo et al. D26/91
- D439,008 S * 3/2001 Kim, II D26/118
- D447,272 S * 8/2001 Smith D26/118
- D569,024 S * 5/2008 Redfern D26/74
- 7,445,363 B2 * 11/2008 Vanden Eynden 362/346
- D592,348 S * 5/2009 Trott et al. D26/74
- D601,741 S * 10/2009 Trott et al. D26/74
- D614,338 S * 4/2010 Sieczkowski et al. D26/74
- D628,335 S * 11/2010 Hyland D26/74

(Continued)

FOREIGN PATENT DOCUMENTS

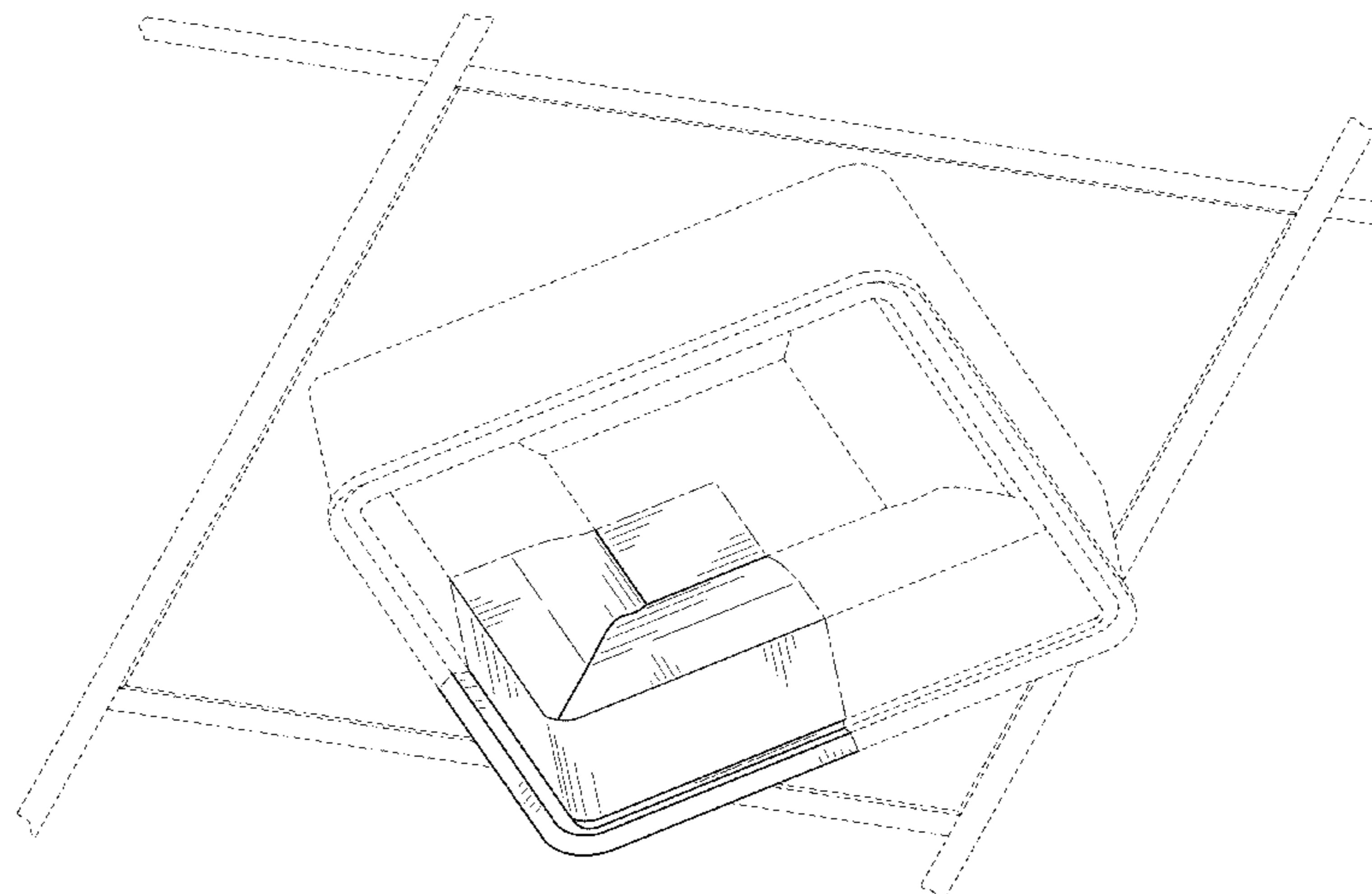
- WO WO2013023008 A1 2/2013
- Primary Examiner* — Kevin Rudzinski
- (74) *Attorney, Agent, or Firm* — Fish & Richardson P.C.

(57) **CLAIM**
The ornamental design for a luminaire, substantially as shown and described.

DESCRIPTION

FIG. 1 is a back perspective view of our luminaire.
FIG. 2 is a front view of the luminaire.
FIG. 3 is a back view of the luminaire.
FIG. 4 is a right side view of the luminaire.
FIG. 5 is a left side view of the luminaire.
FIG. 6 is a top view of the luminaire.
FIG. 7 is a bottom view of the luminaire; and,
FIG. 8 illustrates the profile of the inner surfaces of the luminaire, as taken in any vertical plane perpendicular to a side of the luminaire and crossing the inner plateau surface of the luminaire.
The broken (dash) lines illustrate environmental features that form no part of the claimed design and indicate, for example, how the claimed design might be extended to form a closed shape, such as a square. The broken (dot-dash) lines indicate boundaries of the claimed design and form no part of the claimed design.

1 Claim, 6 Drawing Sheets



US D697,663 S

Page 2

(56)

References Cited

U.S. PATENT DOCUMENTS

D641,918 S * 7/2011 Reo et al. D26/118
D650,515 S * 12/2011 Bradley et al. D26/118
D679,442 S * 4/2013 Watt D26/118

D679,848 S * 4/2013 Pickard et al. D26/74
D682,457 S * 5/2013 Watt D26/74
2013/0039050 A1 2/2013 Dau et al.
2013/0208495 A1 8/2013 Dau et al.

* cited by examiner

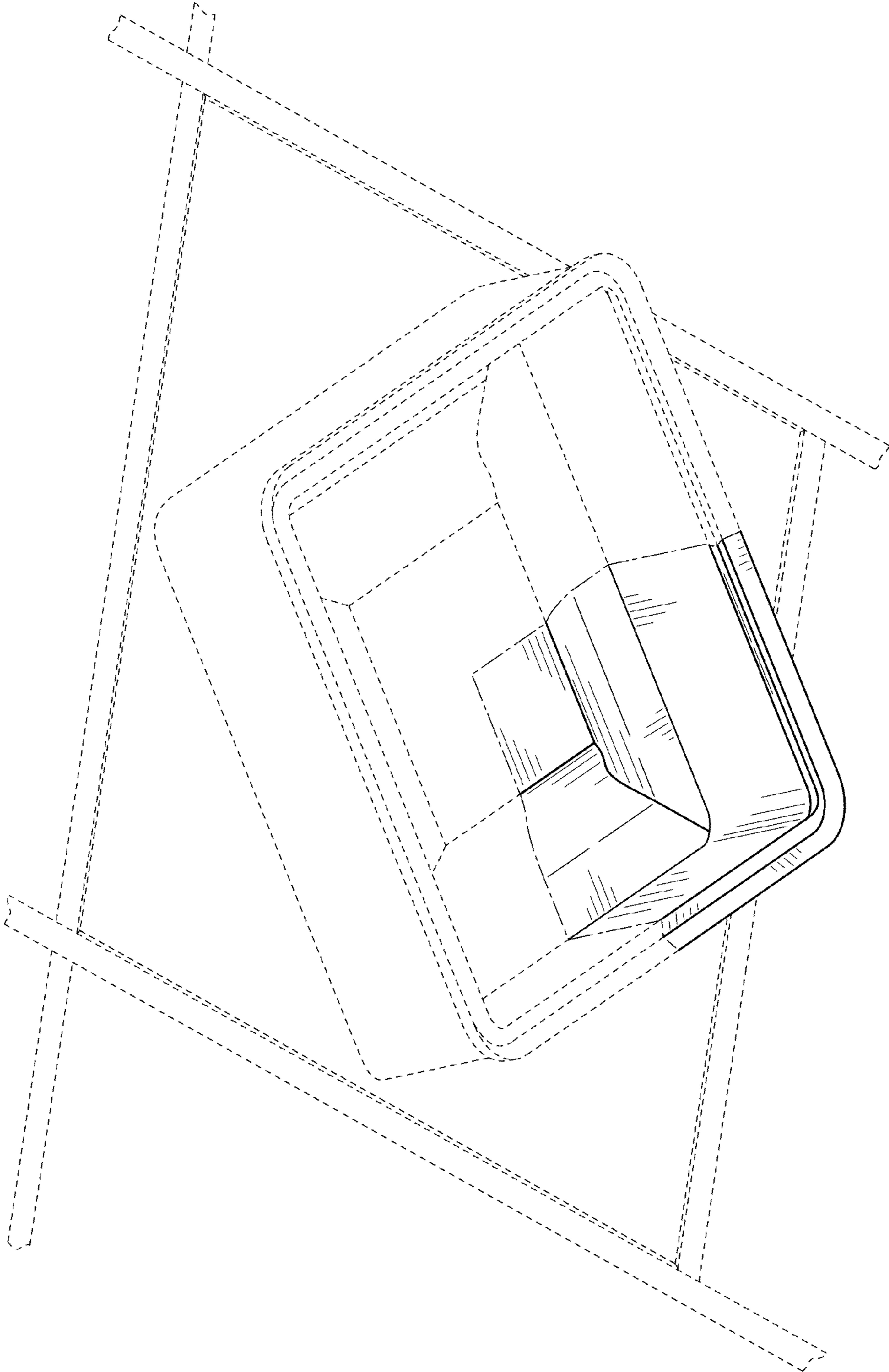


FIG. 1

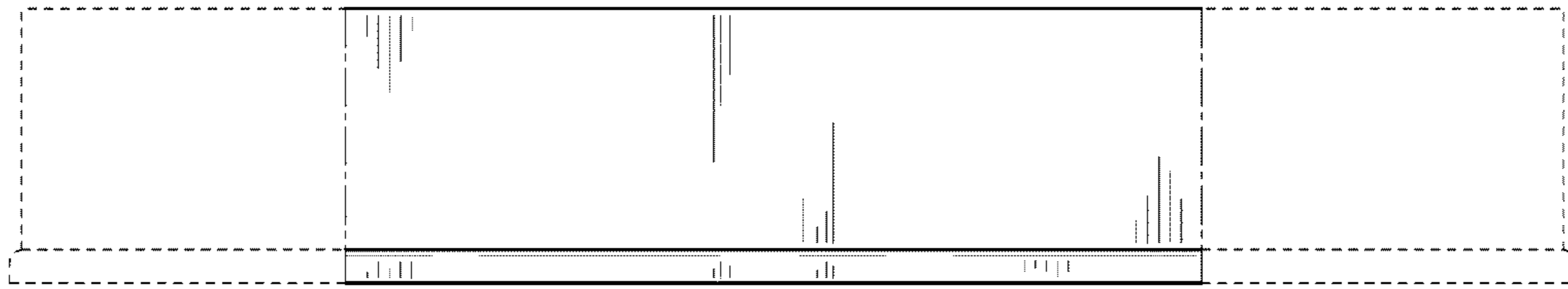


FIG. 2



FIG. 3



FIG. 4

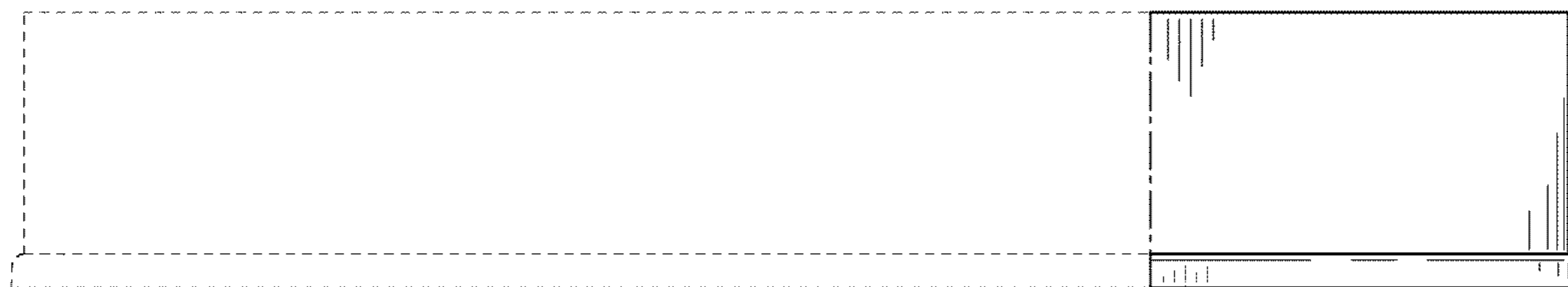


FIG. 5

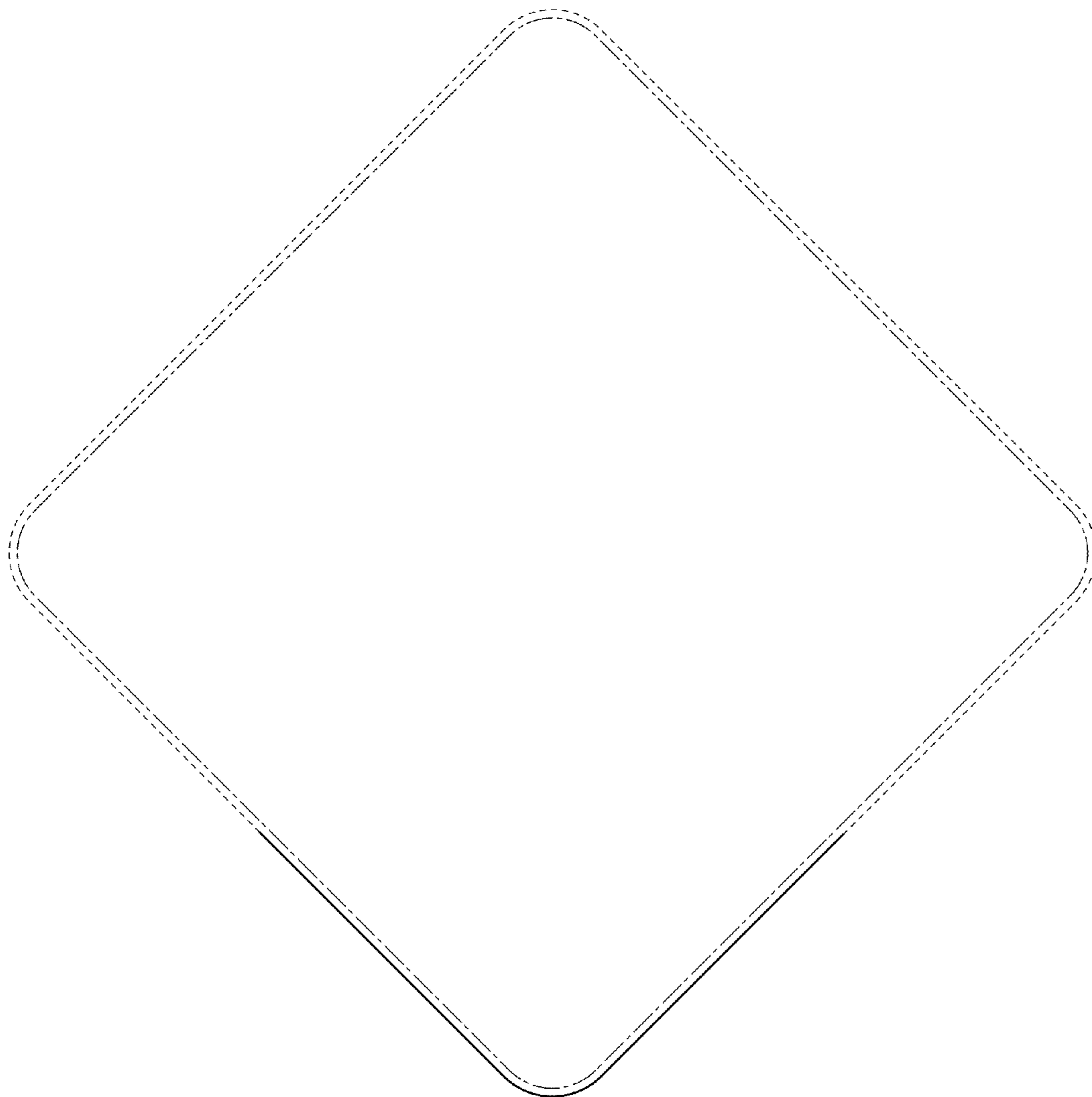


FIG. 6

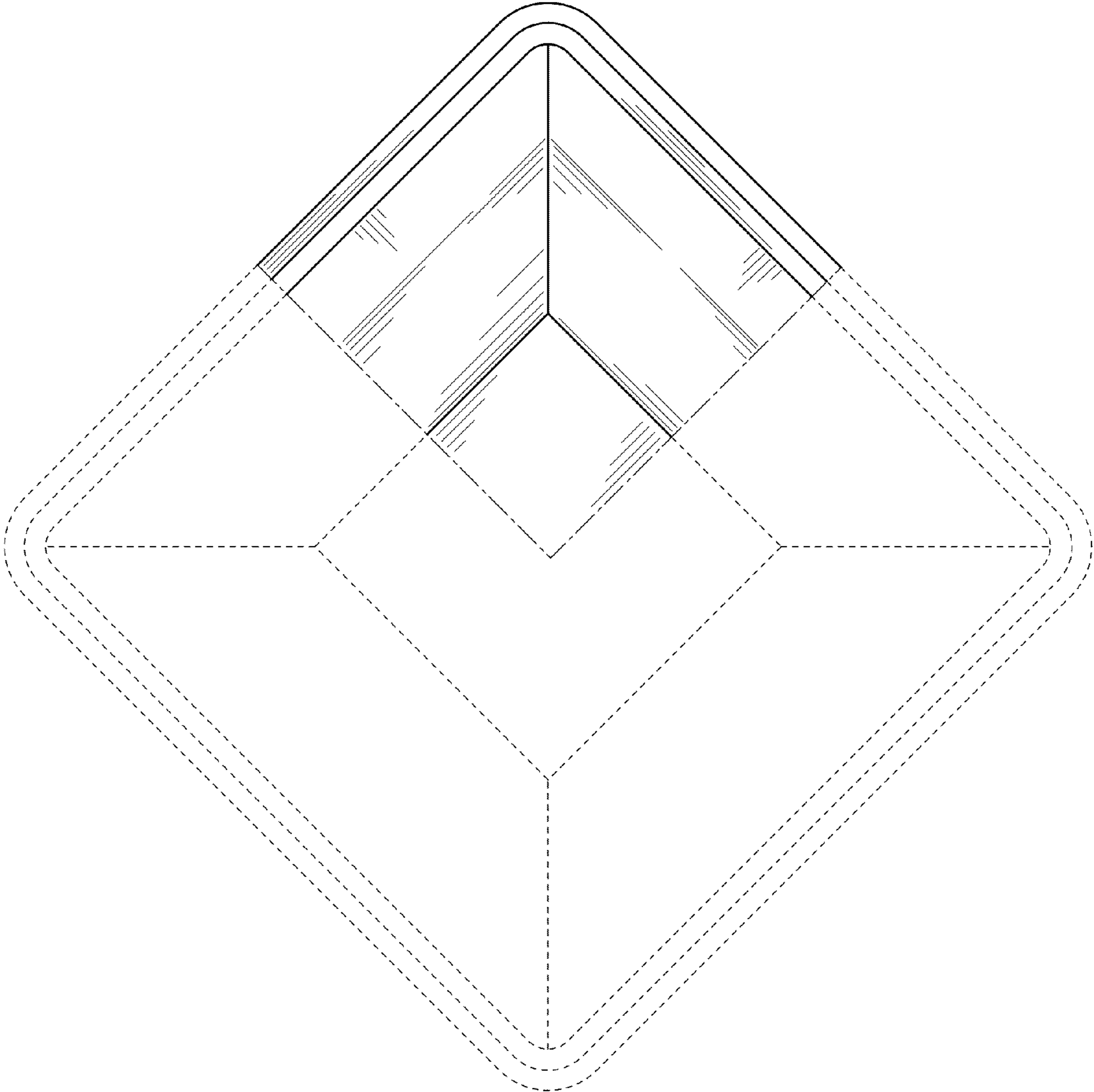


FIG. 7

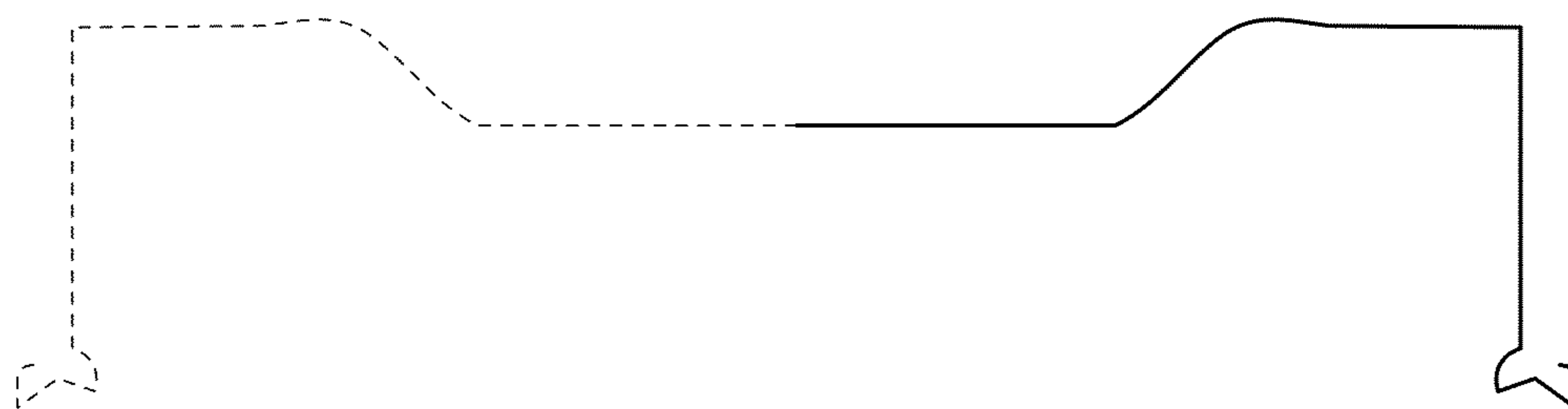


FIG. 8