

US00D697659S

(12) **United States Design Patent**
Sabernig

(10) **Patent No.:** **US D697,659 S**
(45) **Date of Patent:** **** Jan. 14, 2014**

(54) **LIGHT FIXTURE**

(71) Applicant: **EGLO Leuchten GmbH, Pill (AT)**

(72) Inventor: **Robert Sabernig, Munster (AT)**

(73) Assignee: **EGLO Leuchten GmbH, Pill (AT)**

(**) Term: **14 Years**

(21) Appl. No.: **29/448,652**

(22) Filed: **Mar. 13, 2013**

(51) **LOC (10) Cl.** **26-03**

(52) **U.S. Cl.**
USPC **D26/87**

(58) **Field of Classification Search**
USPC D26/72, 80, 82, 83, 85, 87, 118, 120,
D26/122, 128, 135, 149, 152; D25/157;
362/147, 431, 432
See application file for complete search history.

(56) **References Cited**

U.S. PATENT DOCUMENTS

1,184,917 A *	5/1916	Benjamin	362/296.04
D77,137 S *	12/1928	Villaret	D26/85
D124,182 S *	12/1940	McCann	D26/87
D152,336 S *	1/1949	Hirshfield	D26/87

D168,260 S *	11/1952	Gregg	D26/86
D213,279 S *	1/1969	Bernadotte	D26/80
D294,739 S *	3/1988	Joeger	D26/87
D324,742 S *	3/1992	von Kluck	D26/85
D473,003 S *	4/2003	Hoernig	D26/87
D473,967 S *	4/2003	Hoernig	D26/82
D487,814 S *	3/2004	Hoernig	D26/87
D574,992 S *	8/2008	Citterio	D26/87
D605,330 S *	12/2009	Miranda	D26/85

* cited by examiner

Primary Examiner — Clare E Heflin

(74) *Attorney, Agent, or Firm* — Baker & McKenzie LLP

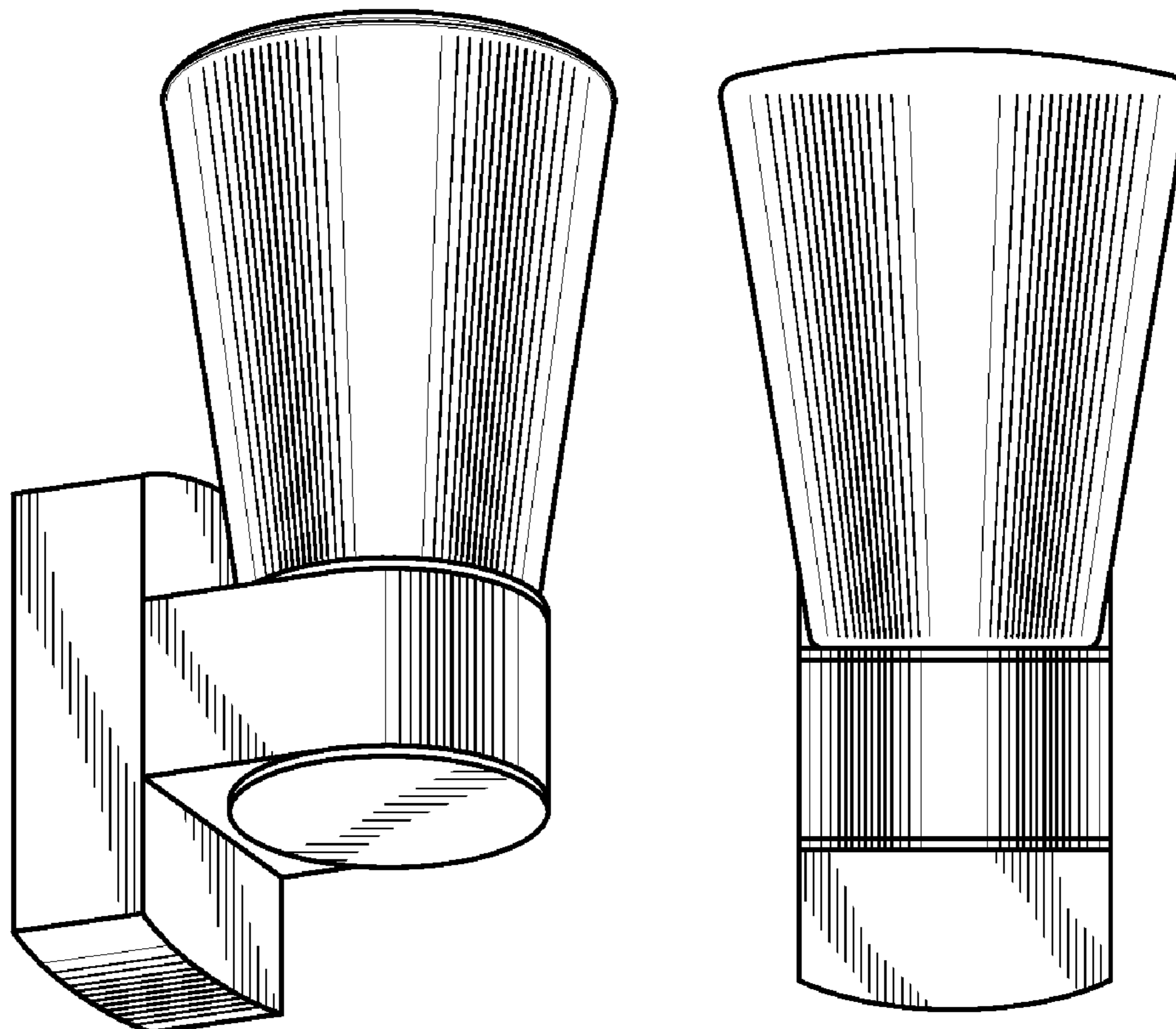
(57) **CLAIM**

The ornamental design for a light fixture, as shown and described.

DESCRIPTION

FIG. 1 is a perspective view of a light fixture in accordance with my design;
FIG. 2 is a right-side elevation view of the light fixture in accordance with my design, the opposite side being a mirror image thereof;
FIG. 3 is a front elevation view of the light fixture in accordance with my design; and,
FIG. 4 is a top plan view of the light fixture in accordance with my design.

1 Claim, 1 Drawing Sheet



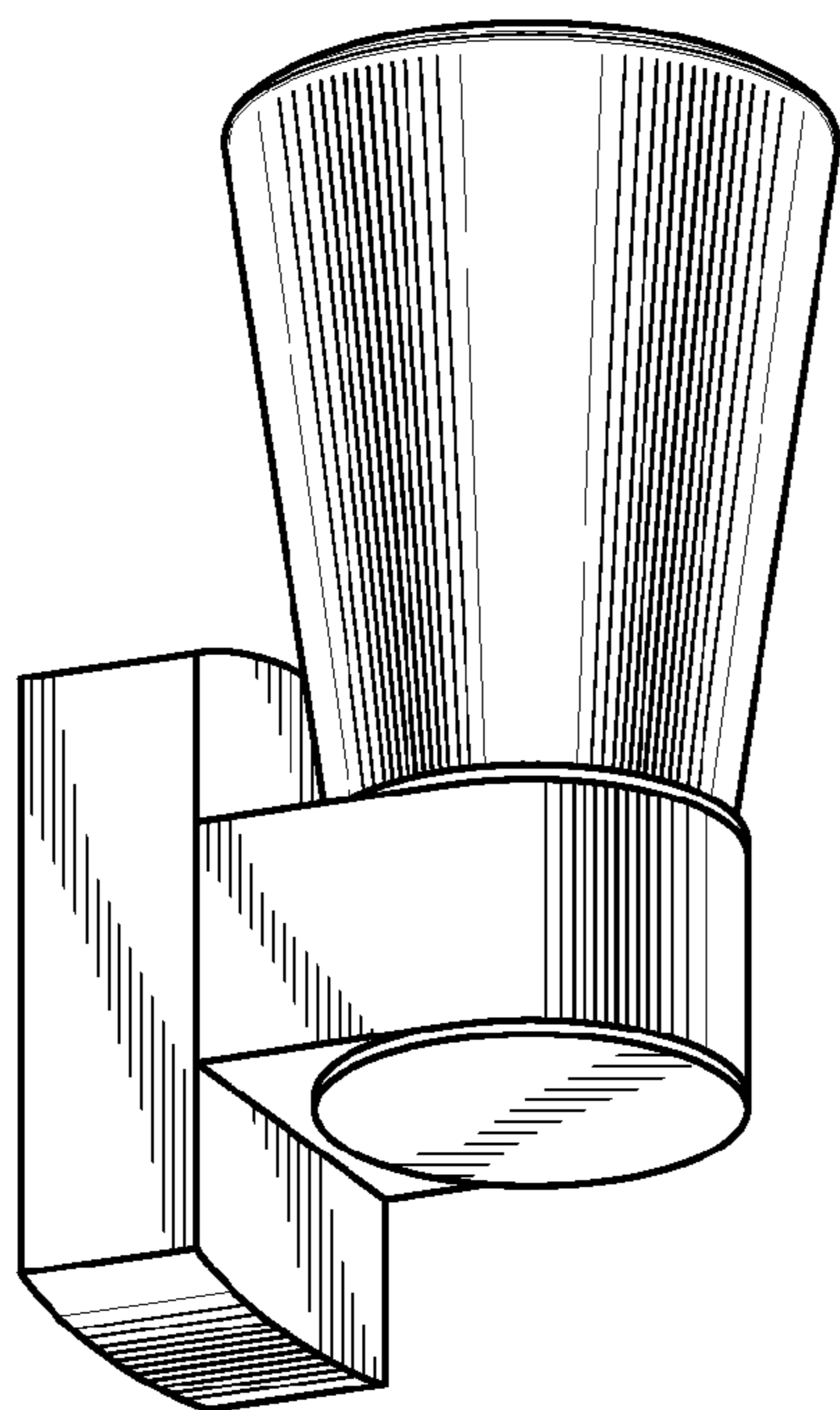


Fig.1

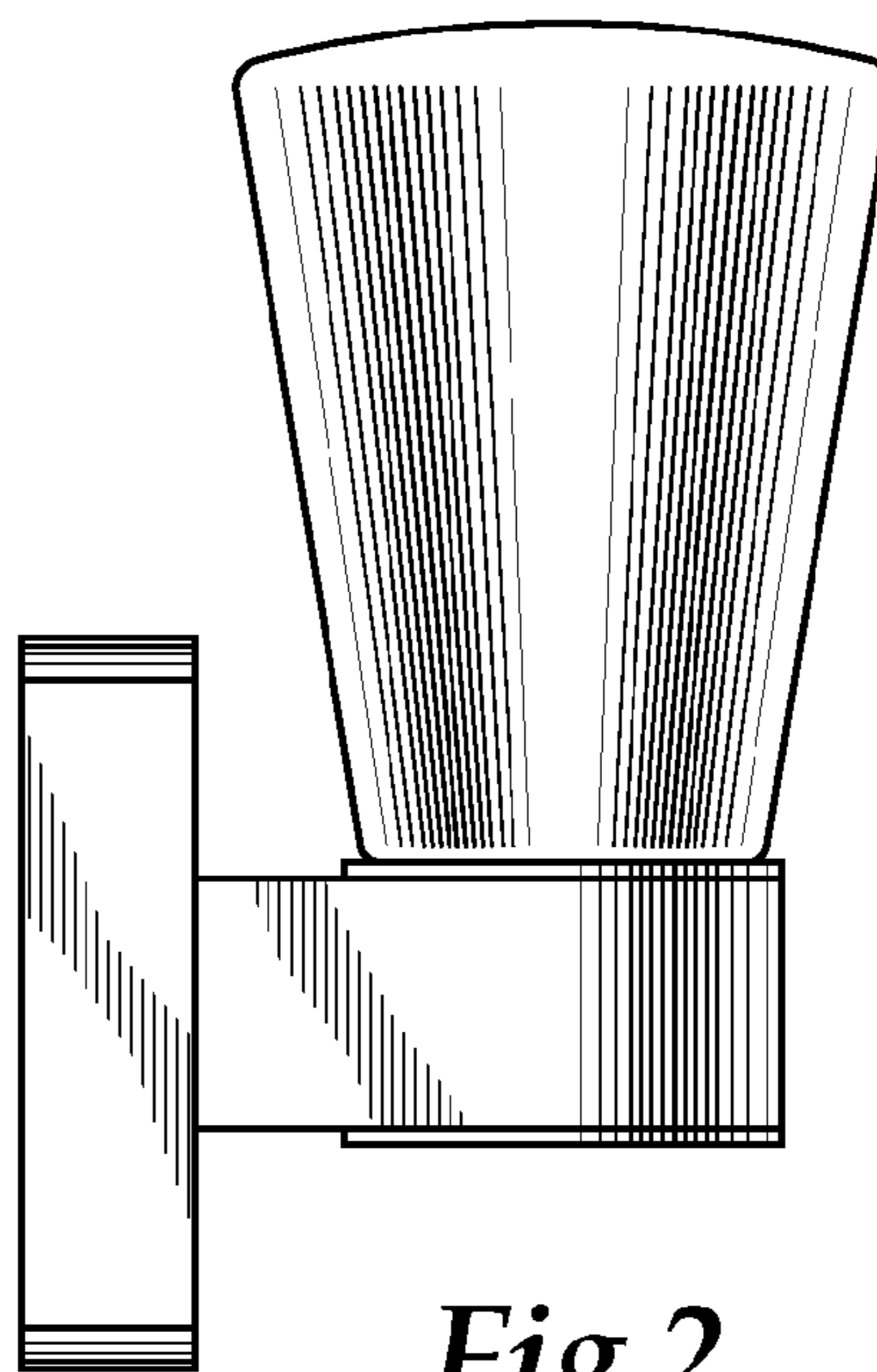


Fig.2

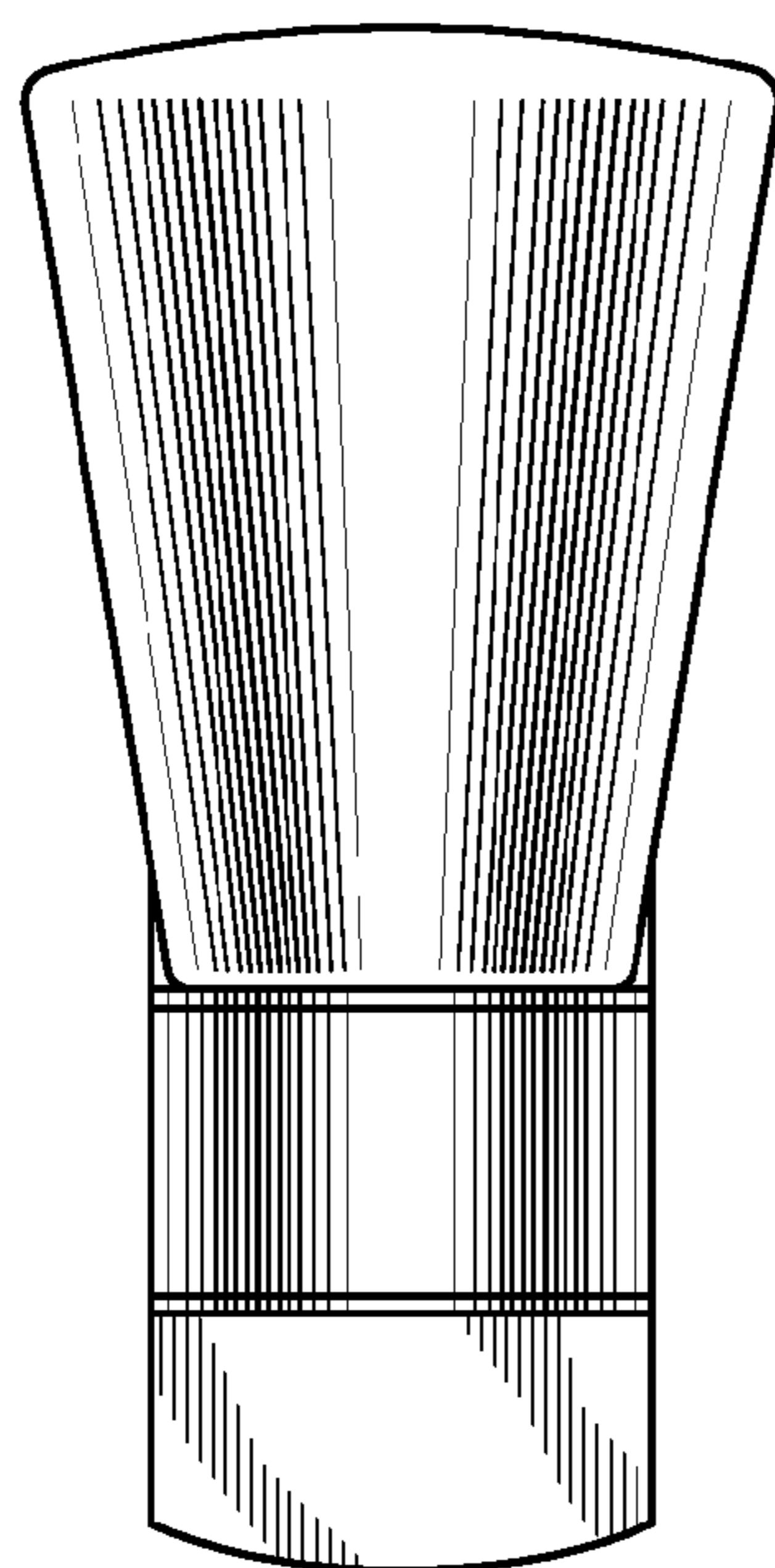


Fig.3

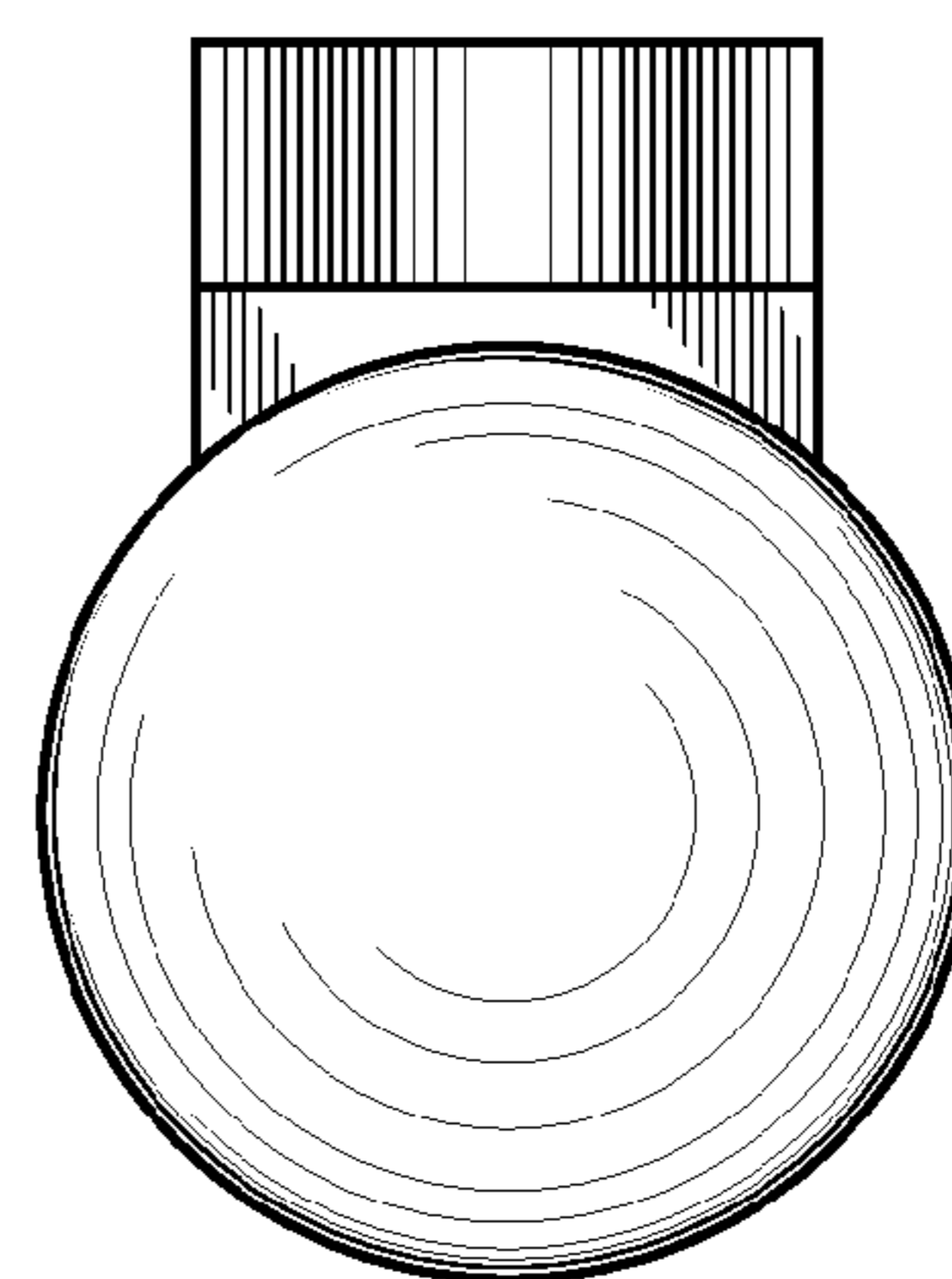


Fig.4