

US00D697657S

(12) **United States Design Patent**
Meise et al.

(10) **Patent No.:** **US D697,657 S**
(45) **Date of Patent:** **** Jan. 14, 2014**

(54) **LIGHT**

(76) Inventors: **Axel Meise**, Munich (DE); **Christoph Kuegler**, Munich (DE)

(**) Term: **14 Years**

(21) Appl. No.: **29/428,956**

(22) Filed: **Aug. 6, 2012**

(30) **Foreign Application Priority Data**

Feb. 6, 2012 (EM) 001986910-0001

(51) **LOC (10) Cl.** **26-03**

(52) **U.S. Cl.**
USPC **D26/87**

(58) **Field of Classification Search**
USPC D26/61, 63, 72, 80, 84-92, 107, 118;
362/147, 373, 404-408, 431, 432
See application file for complete search history.

(56) **References Cited**

U.S. PATENT DOCUMENTS

D93,926 S *	11/1934	Kanter	D26/87
D111,577 S *	10/1938	Arenberg	D26/60
D235,227 S *	5/1975	Cleary	D26/63
D315,610 S *	3/1991	Joosten et al.	D26/63
D350,621 S *	9/1994	Yuen	D26/87
D443,713 S *	6/2001	Benensohn	D26/72

D491,684 S *	6/2004	McInnis	D26/63
D536,120 S *	1/2007	Mier-Langner et al.	D26/63
D536,817 S *	2/2007	Mier-Langner et al.	D26/63
D537,972 S *	3/2007	Mier-Langner et al.	D26/63
D546,996 S *	7/2007	Layne	D26/63
D547,479 S *	7/2007	Layne	D26/63
D640,815 S *	6/2011	Yamada et al.	D26/63
8,096,670 B2 *	1/2012	Trott et al.	362/147
D664,279 S *	7/2012	Meise et al.	D26/72
D664,698 S *	7/2012	Meise et al.	D26/72

* cited by examiner

Primary Examiner — Clare E Heflin

(74) *Attorney, Agent, or Firm* — 24IP Law Group; Timothy R. DeWitt

(57) **CLAIM**

The ornamental design for a light, as shown and described.

DESCRIPTION

FIG. 1 is a perspective view of a light showing our new design;

FIG. 2 is a left side view of the light shown in FIG. 1;

FIG. 3 is a bottom view of the light shown in FIG. 1;

FIG. 4 is a front view of the light shown in FIG. 1;

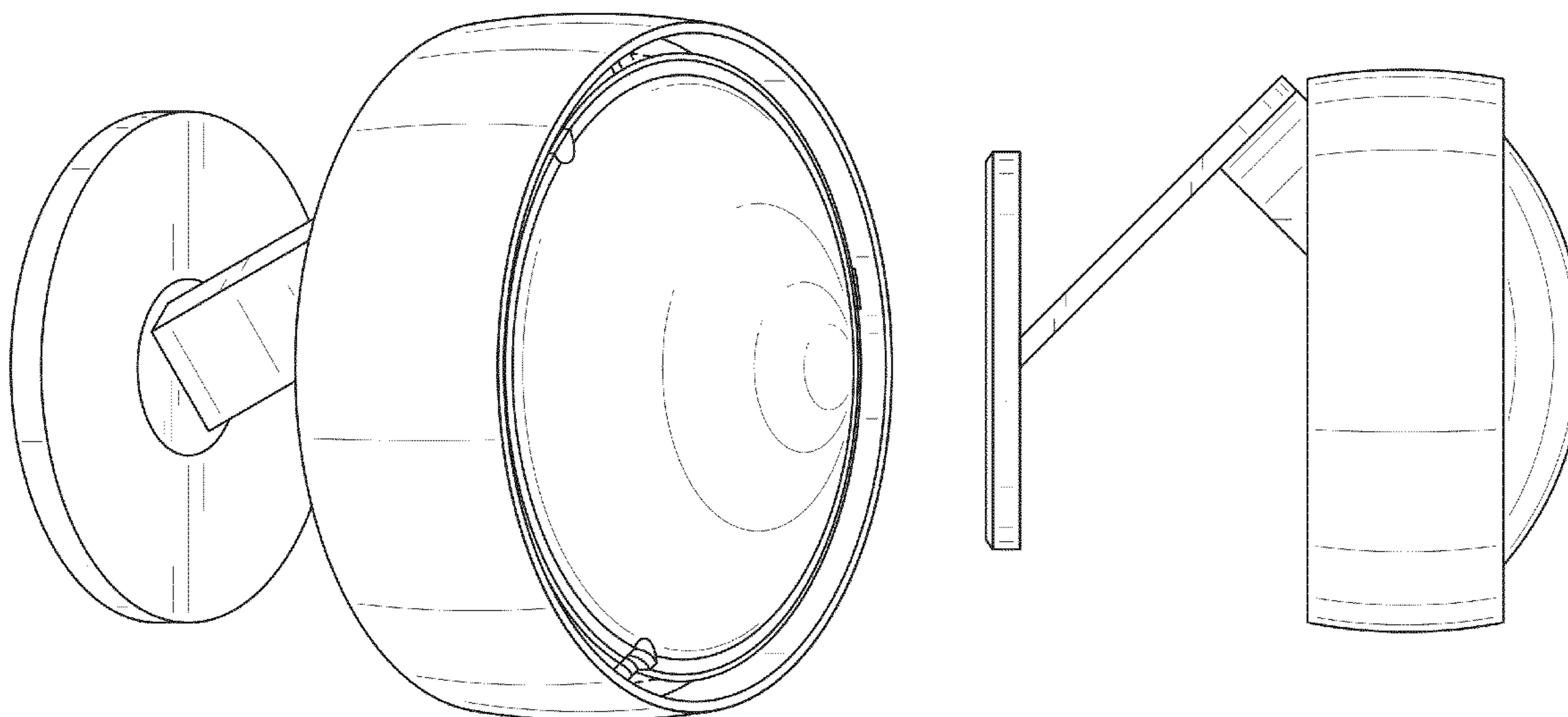
FIG. 5 is a right side view of the light shown in FIG. 1;

FIG. 6 is a back view of the light shown in FIG. 1; and,

FIG. 7 is a top view of the light shown in FIG. 1.

The broken lines shown on the drawings depict environment only and form no part of the claimed design.

1 Claim, 7 Drawing Sheets



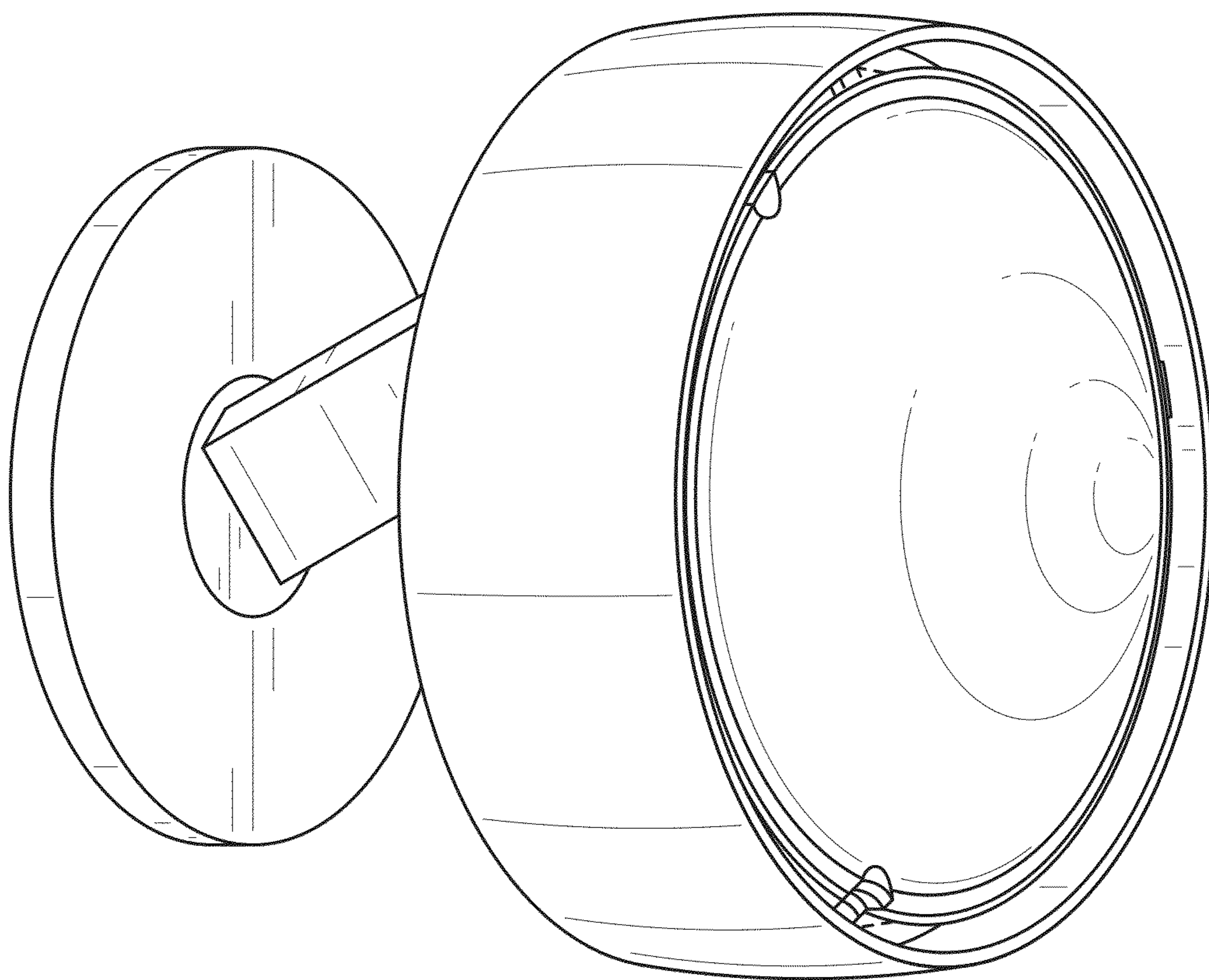


FIG. 1

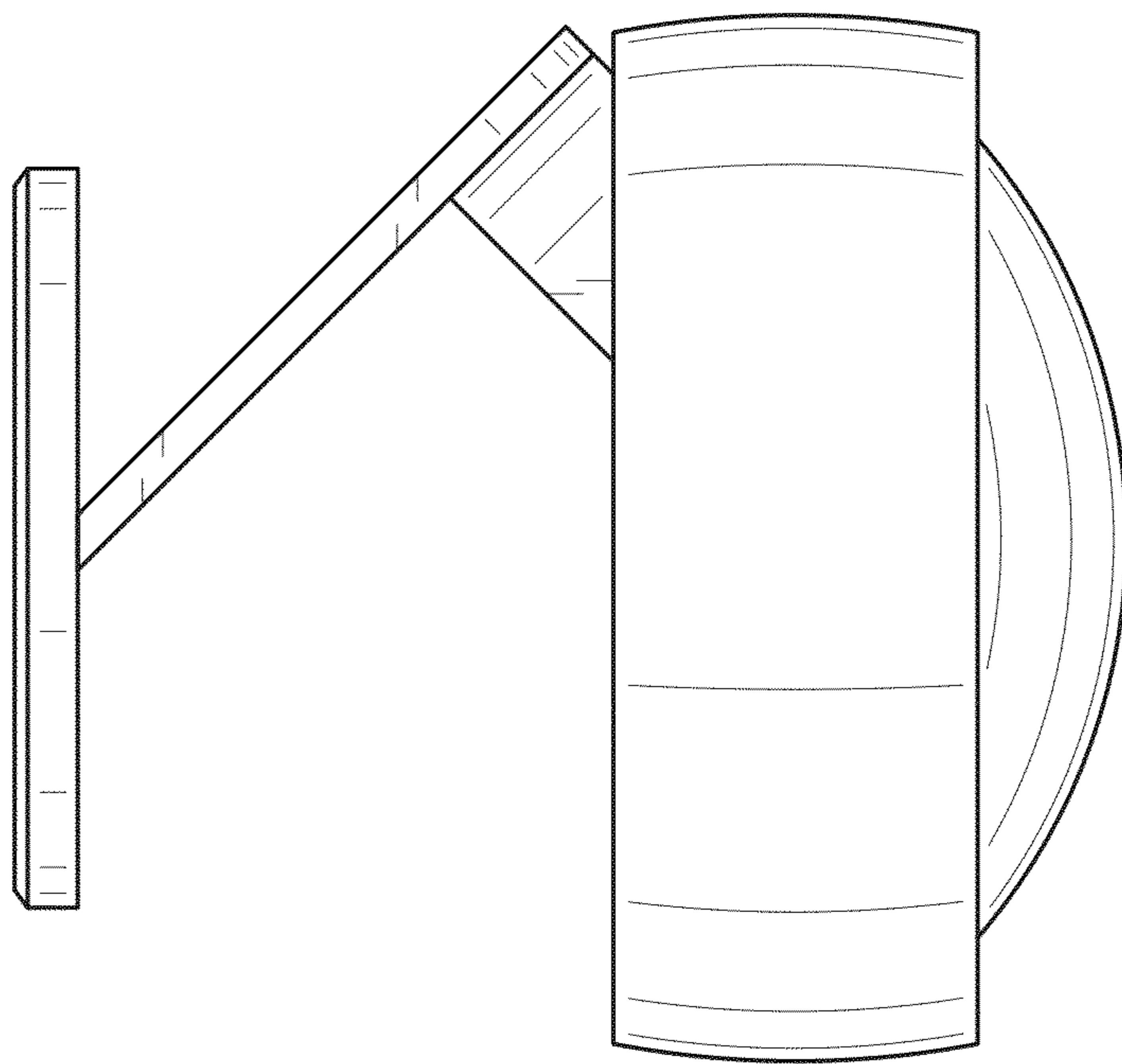


FIG. 2

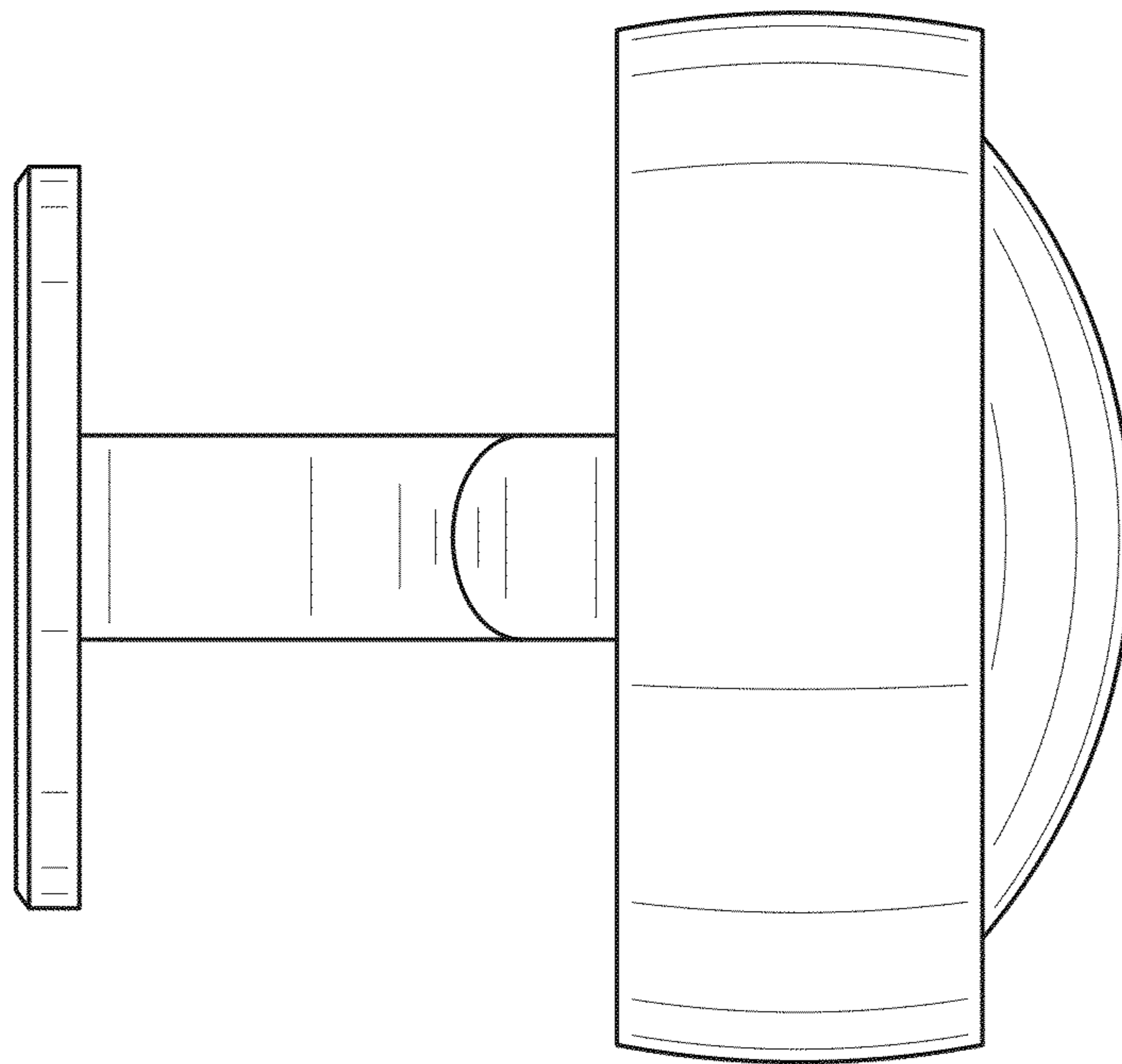


FIG. 3

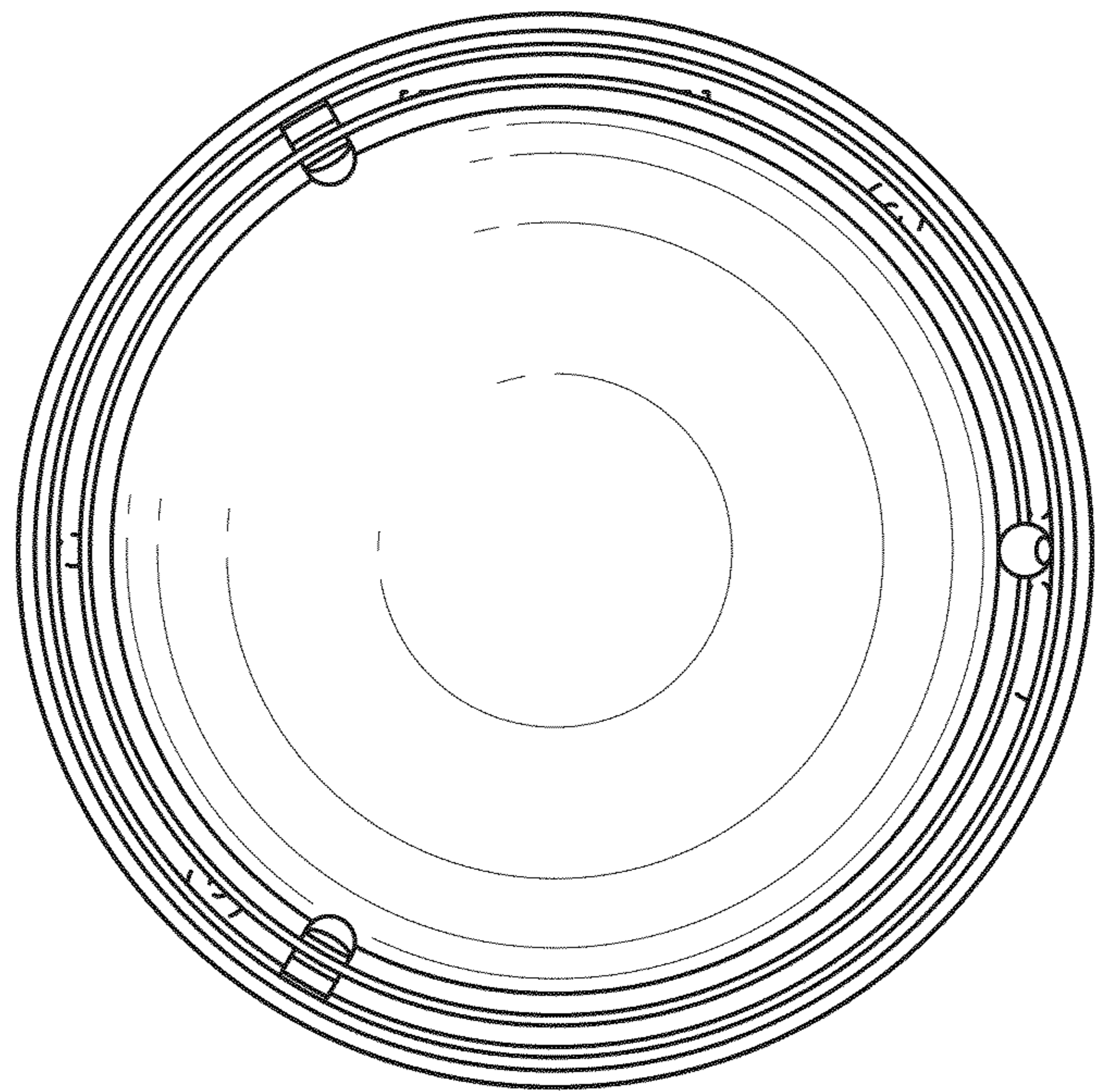


FIG. 4

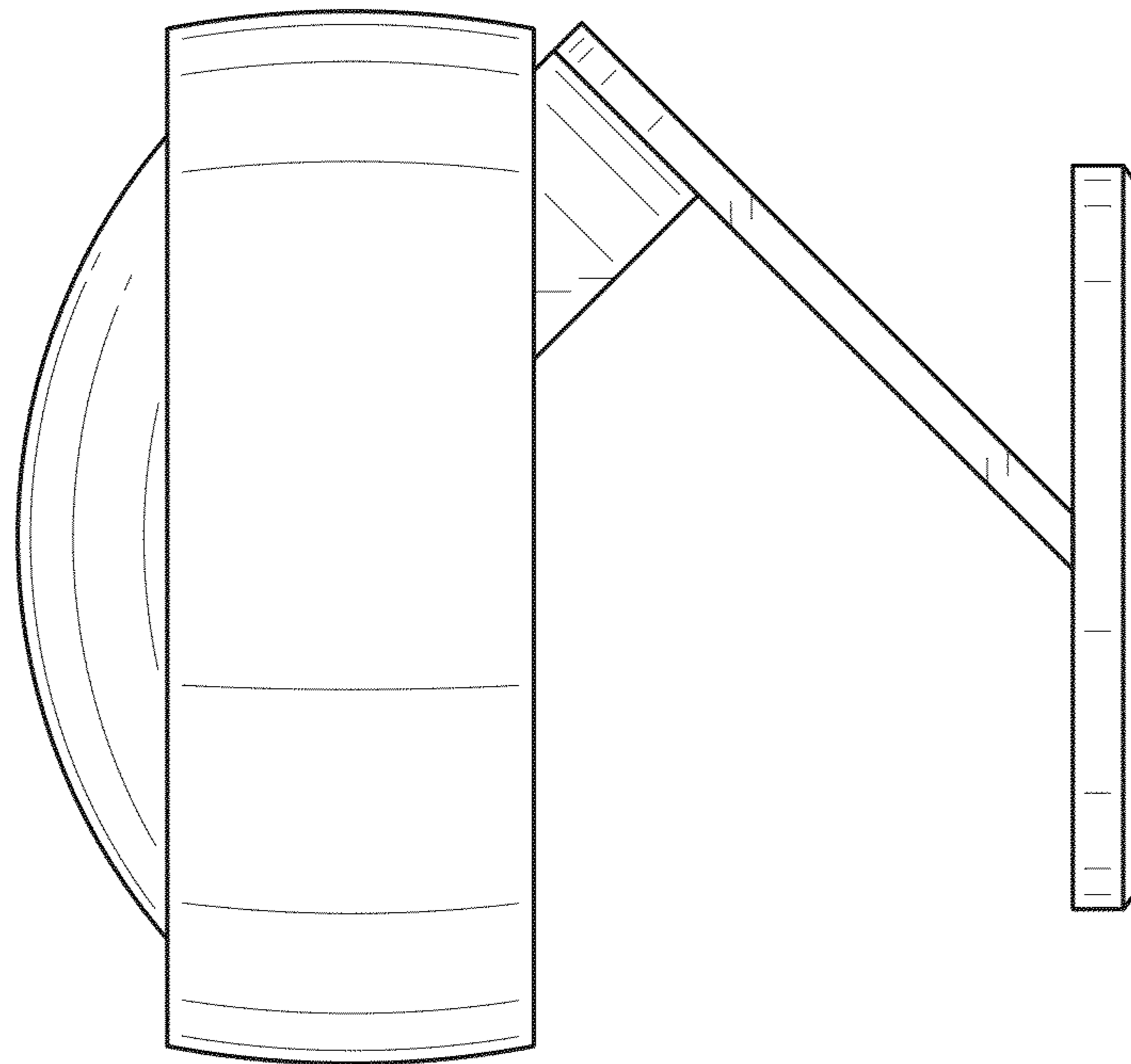


FIG. 5

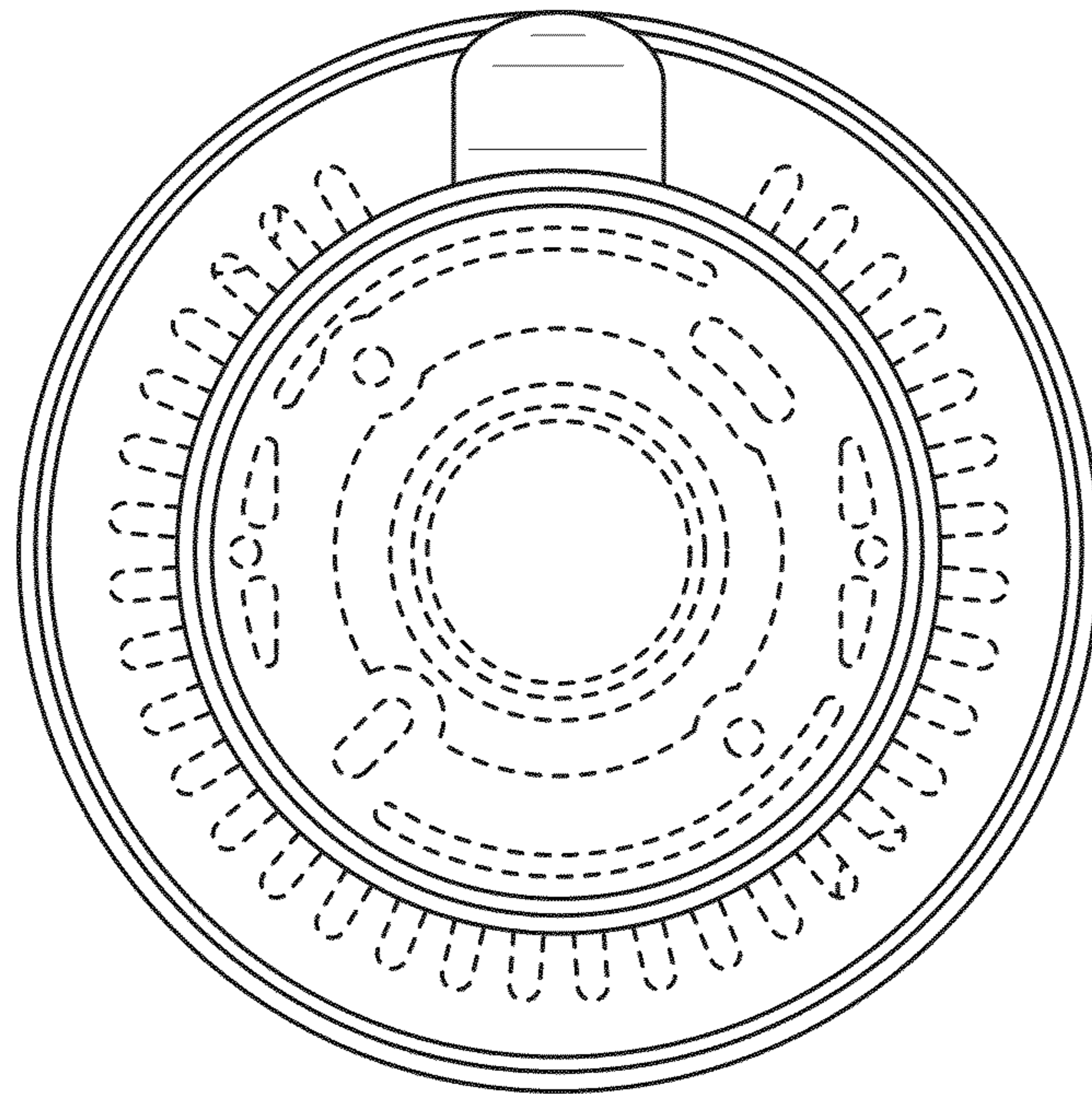


FIG. 6

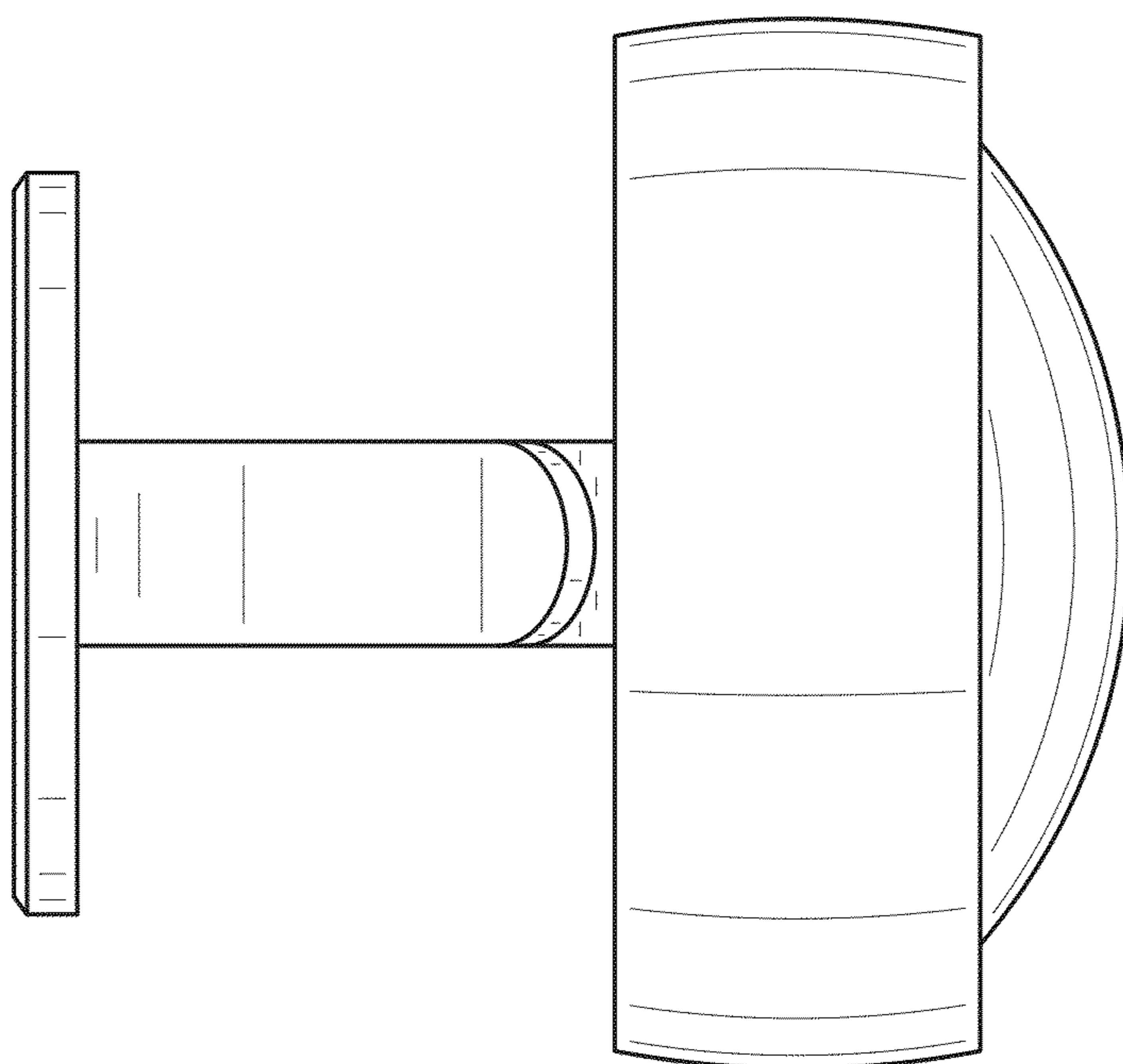


FIG. 7