

US00D697656S

(12) **United States Design Patent**  
**Sabernig**

(10) **Patent No.:** **US D697,656 S**

(45) **Date of Patent:** **\*\* Jan. 14, 2014**

(54) **LIGHT FIXTURE**

(71) Applicant: **EGLO Leuchten GmbH, Pill (AT)**

(72) Inventor: **Robert Sabernig, Münster (AT)**

(73) Assignee: **EGLO Leuchten GmbH, Pill (AT)**

(\*\*) Term: **14 Years**

(21) Appl. No.: **29/457,705**

(22) Filed: **Jun. 12, 2013**

(51) **LOC (10) Cl.** ..... **26-03**

(52) **U.S. Cl.**

USPC ..... **D26/85; D26/122**

(58) **Field of Classification Search**

USPC ..... D26/72, 80, 82, 83, 85, 87, 118, 120,

D26/121, 122, 128, 135, 149, 152;

D25/157; 362/147, 431, 432

See application file for complete search history.

(56) **References Cited**

**U.S. PATENT DOCUMENTS**

D61,209 S *	7/1922	Otte .....	D26/128
D61,210 S *	7/1922	Otte .....	D26/128
D69,971 S *	4/1926	Schlepp .....	D26/88
D85,049 S *	9/1931	Kopp .....	D26/128
2,293,672 A *	8/1942	Bookman, Jr. ....	362/355
D173,156 S *	10/1954	Hurley .....	D26/122
D210,903 S *	4/1968	Dalton .....	D26/122
D240,813 S *	8/1976	Paschke et al. ....	D25/11
D430,326 S *	8/2000	Littman .....	D26/85
D443,943 S *	6/2001	Brunner et al. ....	D26/87
D452,031 S *	12/2001	Brunner et al. ....	D26/87

D459,831 S *	7/2002	Dolan .....	D26/118
D489,141 S *	4/2004	Froech .....	D25/157
D589,201 S *	3/2009	Sabernig .....	D26/85
D589,639 S *	3/2009	Silver .....	D26/85
D601,746 S *	10/2009	Sabernig .....	D26/120
D638,145 S *	5/2011	Rhee .....	D25/157
D677,823 S *	3/2013	Haverfield .....	D26/85

\* cited by examiner

*Primary Examiner* — Clare E Heflin

(74) *Attorney, Agent, or Firm* — Baker & McKenzie LLP

(57) **CLAIM**

The ornamental design for a light fixture, as shown and described.

**DESCRIPTION**

FIG. 1 is a perspective view of a light fixture in accordance with my design;

FIG. 2 is a bottom plan view of the light fixture in accordance with my design;

FIG. 3 is a top plan view of the light fixture in accordance with my design;

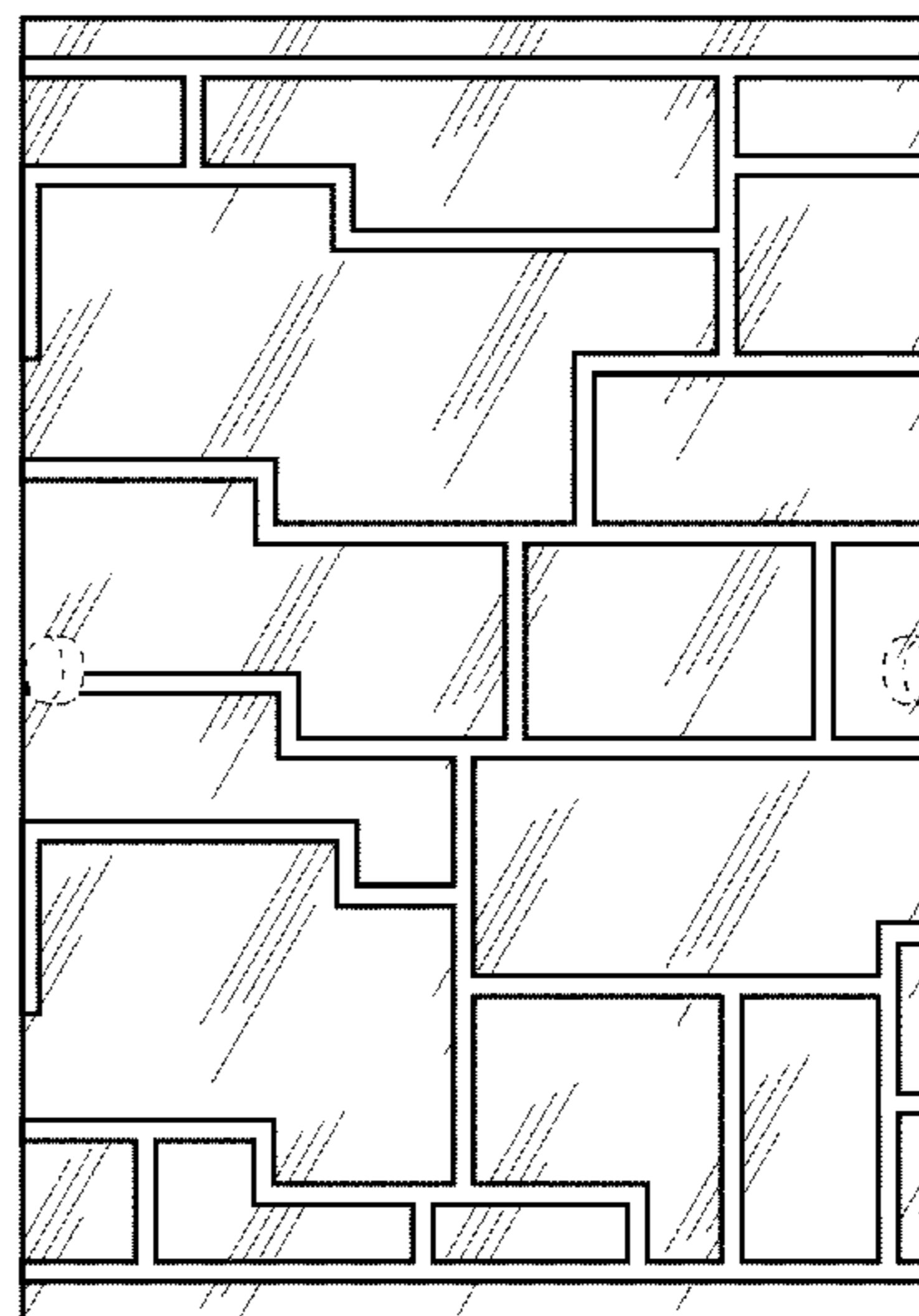
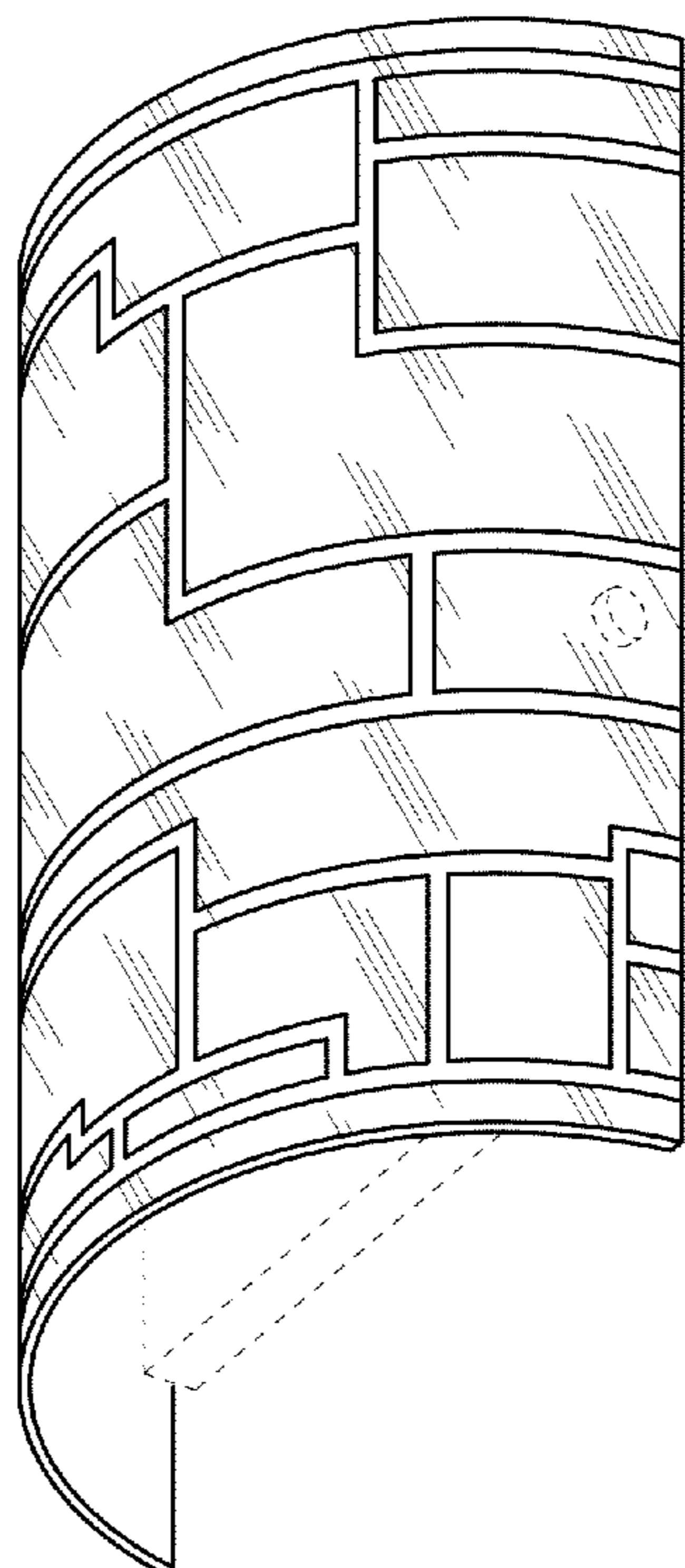
FIG. 4 is a front elevation view of the light fixture in accordance with my design;

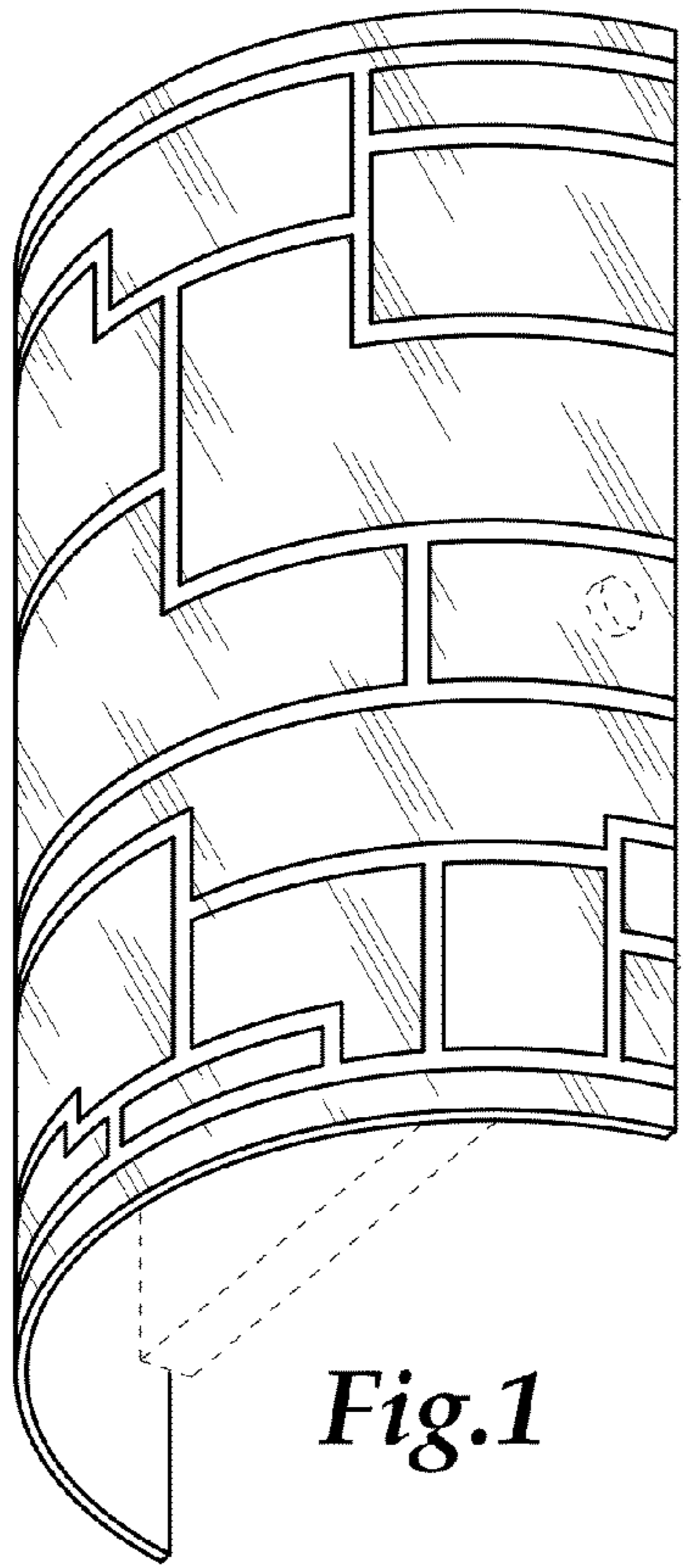
FIG. 5 is a right-side elevation view of the light fixture in accordance with my design; and,

FIG. 6 is a left-side elevation view of the light fixture in accordance with my design.

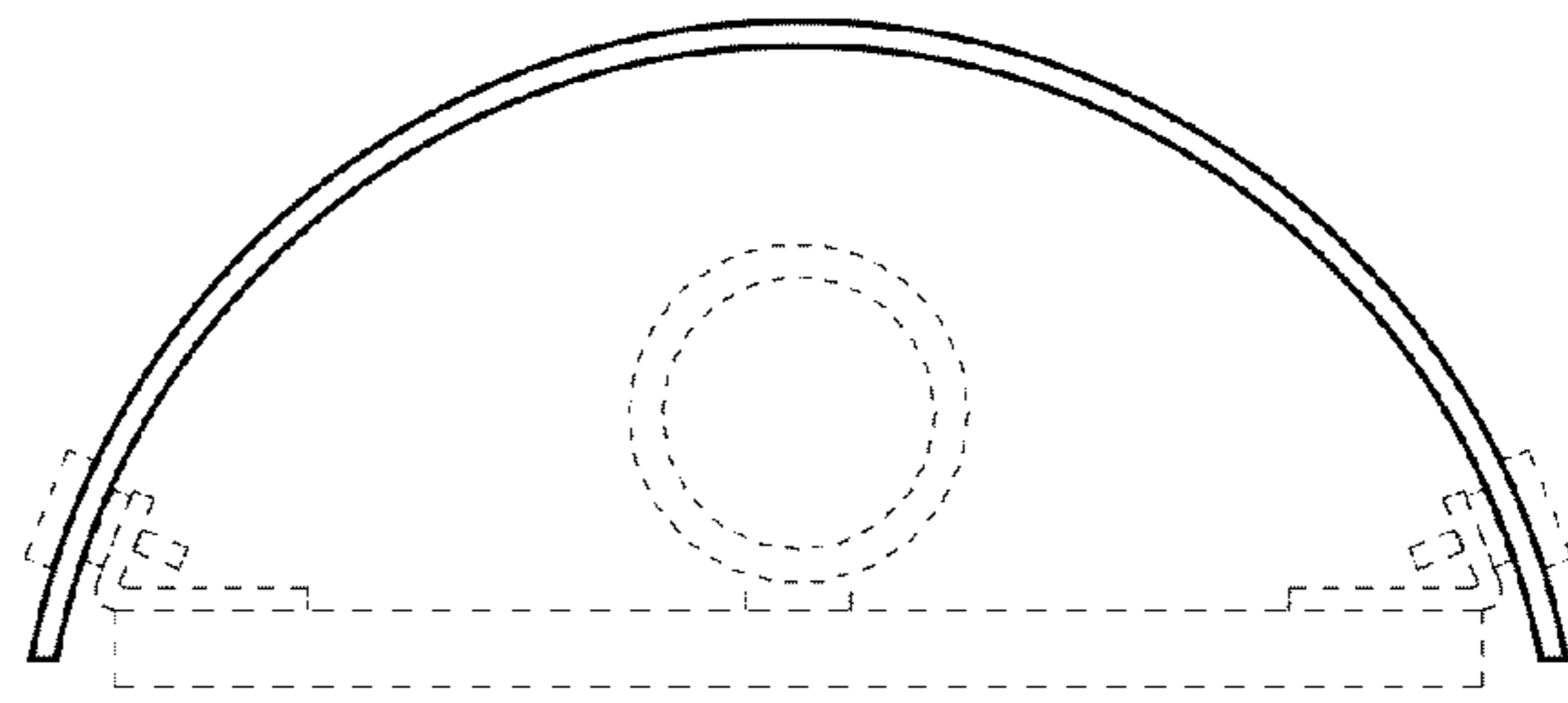
The broken-line disclosure of elements is understood to represent portions of the article in which the design is embodied, but which form no part of the claimed design.

**1 Claim, 1 Drawing Sheet**

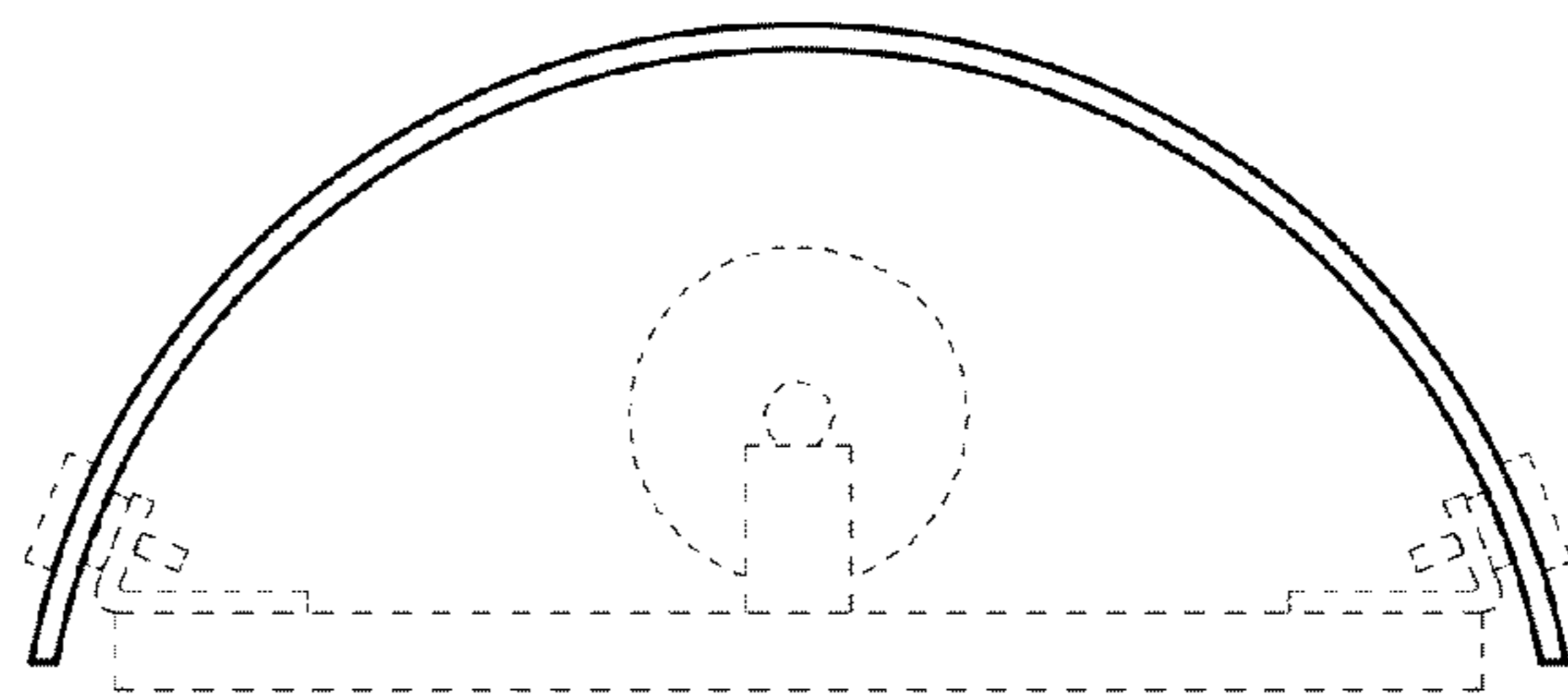




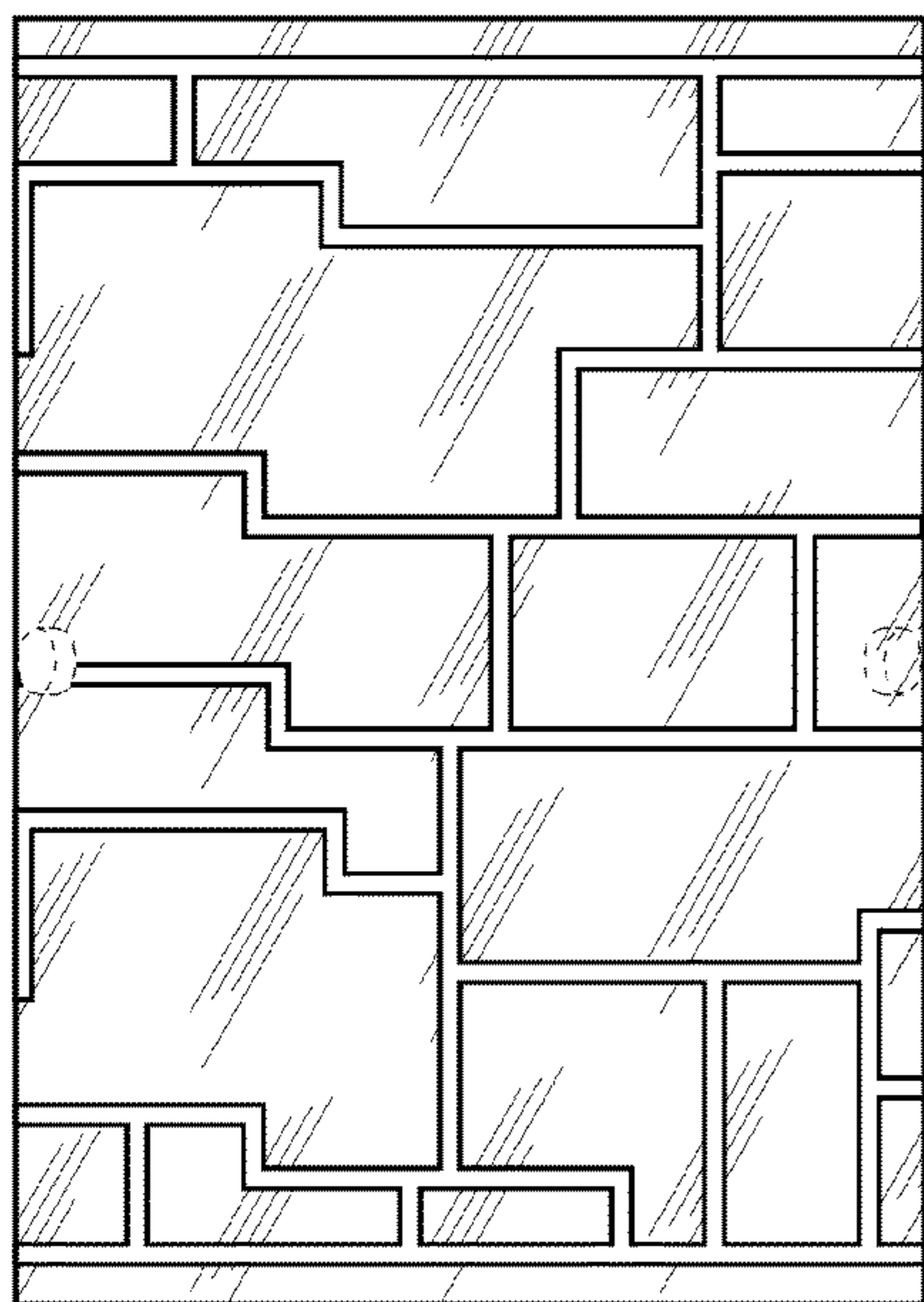
*Fig.1*



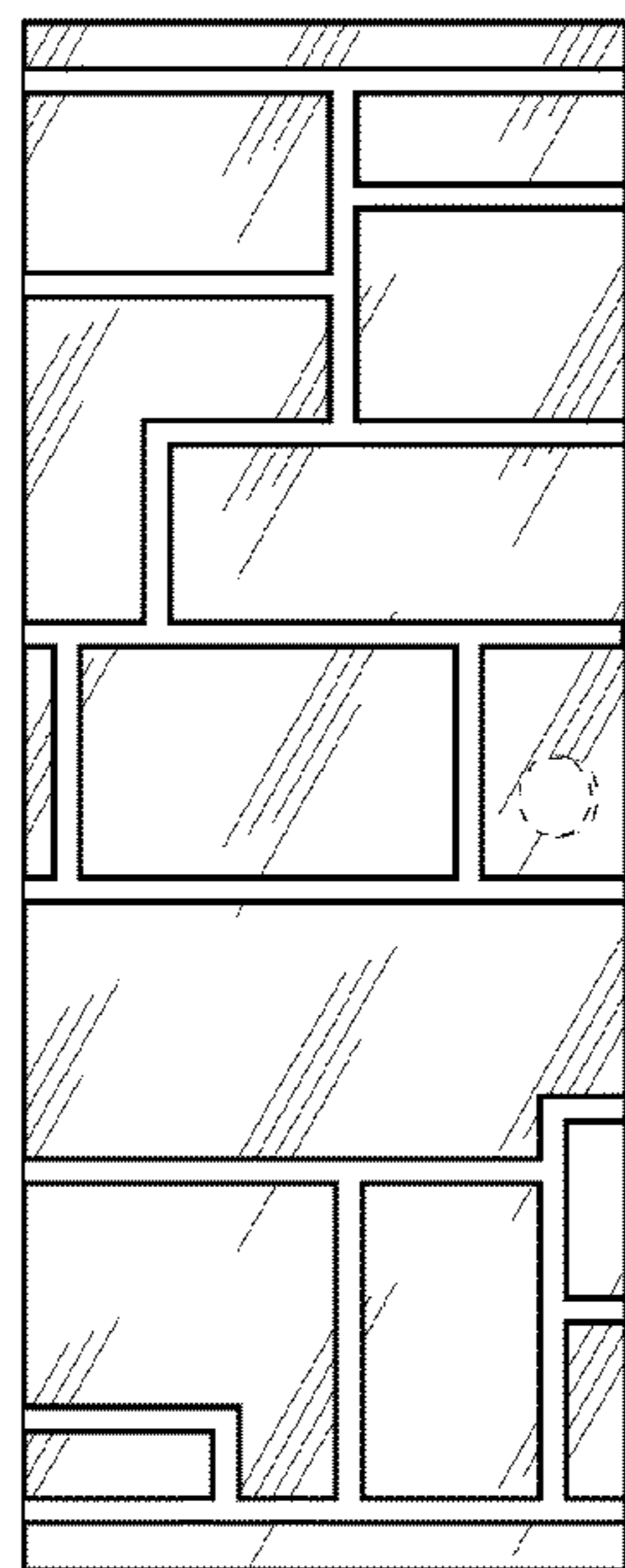
*Fig.2*



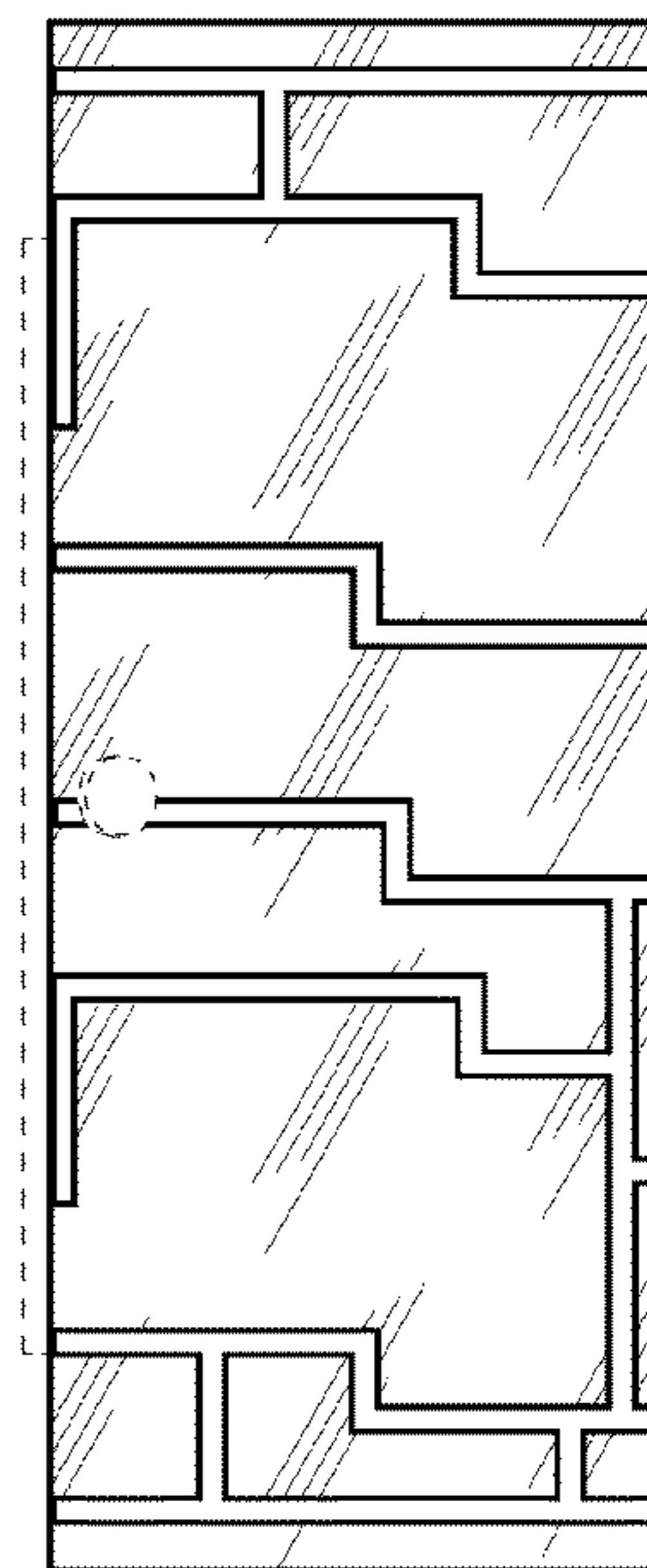
*Fig.3*



*Fig.4*



*Fig.5*



*Fig.6*