



US00D697655S

(12) **United States Design Patent**
Sabernig

(10) **Patent No.:** **US D697,655 S**
(45) **Date of Patent:** **** Jan. 14, 2014**

- (54) **LIGHT FIXTURE**
- (71) Applicant: **EGLO Leuchten GmbH, Pill (AT)**
- (72) Inventor: **Robert Sabernig, Münster (AT)**
- (73) Assignee: **EGLO Leuchten GmbH, Pill (AT)**
- (**) Term: **14 Years**
- (21) Appl. No.: **29/457,683**
- (22) Filed: **Jun. 12, 2013**
- (51) **LOC (10) Cl.** **26-03**
- (52) **U.S. Cl.**
USPC **D26/85; D26/121**
- (58) **Field of Classification Search**
USPC D26/72, 80, 82, 83, 85, 87, 118, 120,
D26/121, 122, 128, 135, 149, 152;
D25/157; 362/147, 431, 432
See application file for complete search history.

(56) **References Cited**

U.S. PATENT DOCUMENTS

D39,592 S *	9/1908	Watkins	D26/149
1,435,024 A *	11/1922	Shapiro	362/255
D63,990 S *	2/1924	Yokel	D26/152
D65,131 S *	7/1924	McFadden	D26/149
D107,554 S *	12/1937	Sibbert	D26/121
D109,219 S *	4/1938	Kelly	D26/149
2,293,672 A *	8/1942	Bookman, Jr.	362/355
D161,340 S *	12/1950	Hurley	D26/121
D214,186 S *	5/1969	Meltzer	D26/85
3,889,950 A *	6/1975	Kasravi	473/612
D268,209 S *	3/1983	Reistetter et al.	D26/85
D452,031 S *	12/2001	Brunner et al.	D26/87

D469,910 S *	2/2003	St-Pierre	D26/85
D470,968 S *	2/2003	Kuelbs et al.	D26/118
D544,131 S *	6/2007	Blackman	D26/85
D583,502 S *	12/2008	Schuler	D26/121
D589,201 S *	3/2009	Sabernig	D26/85
D589,639 S *	3/2009	Silver	D26/85
D600,399 S *	9/2009	Sonobe	D26/121
D601,746 S *	10/2009	Sabernig	D26/120
D633,246 S *	2/2011	Urquiola	D26/85
D633,637 S *	3/2011	Urquiola	D26/85

* cited by examiner

Primary Examiner — Clare E Heflin

(74) *Attorney, Agent, or Firm* — Baker & McKenzie LLP

(57) **CLAIM**

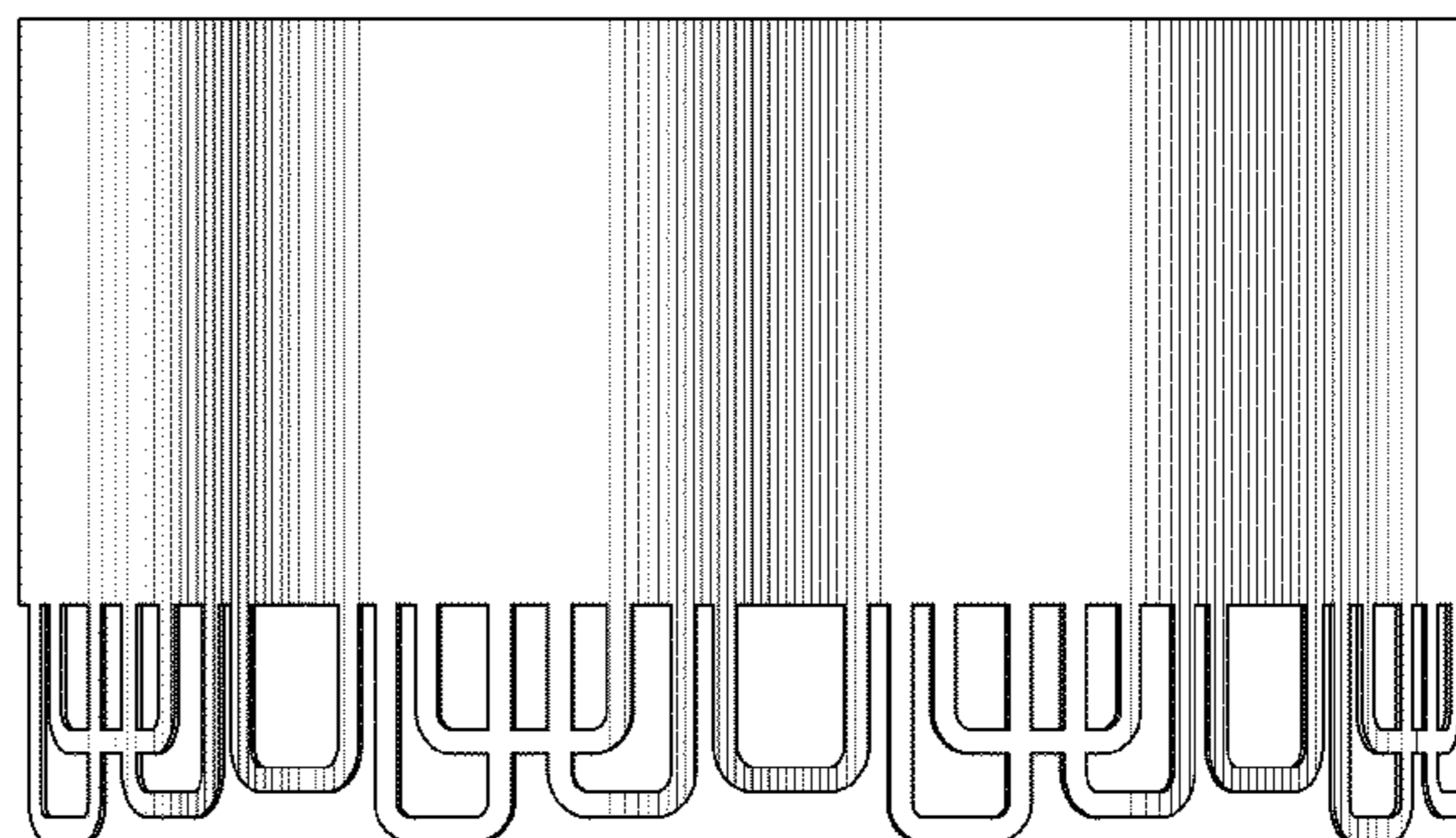
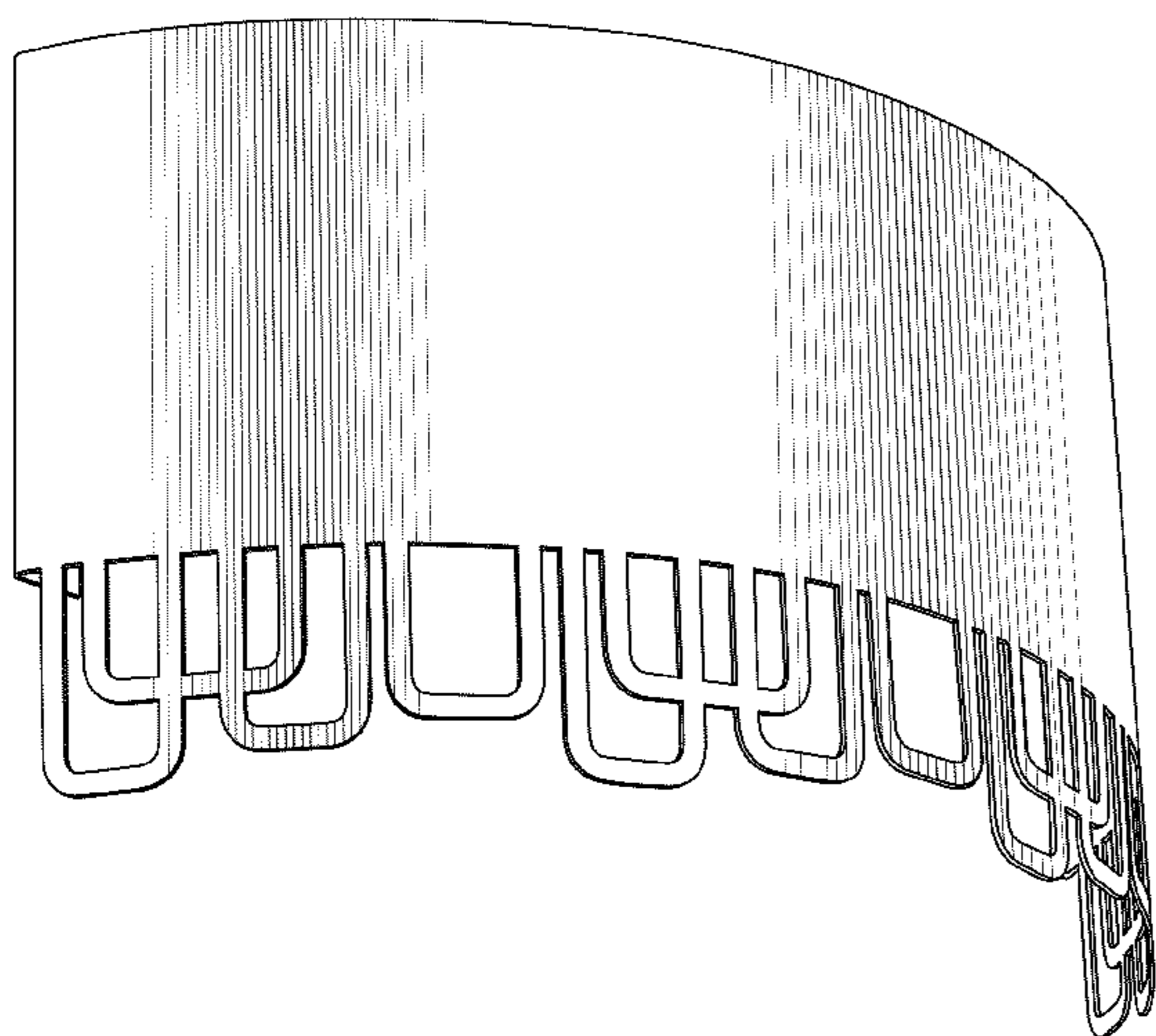
The ornamental design for a light fixture, as shown and described.

DESCRIPTION

FIG. 1 is a perspective view of a light fixture in accordance with my design;
 FIG. 2 is a front elevation view of the light fixture in accordance with my design;
 FIG. 3 is a top plan view of the light fixture in accordance with my design;
 FIG. 4 is a bottom plan view of the light fixture in accordance with my design;
 FIG. 5 is a left-side elevation view of the light fixture in accordance with my design; and,
 FIG. 6 is a right-side elevation view of the light fixture in accordance with my design.

The broken-line disclosure of elements is understood to represent portions of the article in which the design is embodied, but which form no part of the claimed design.

1 Claim, 2 Drawing Sheets



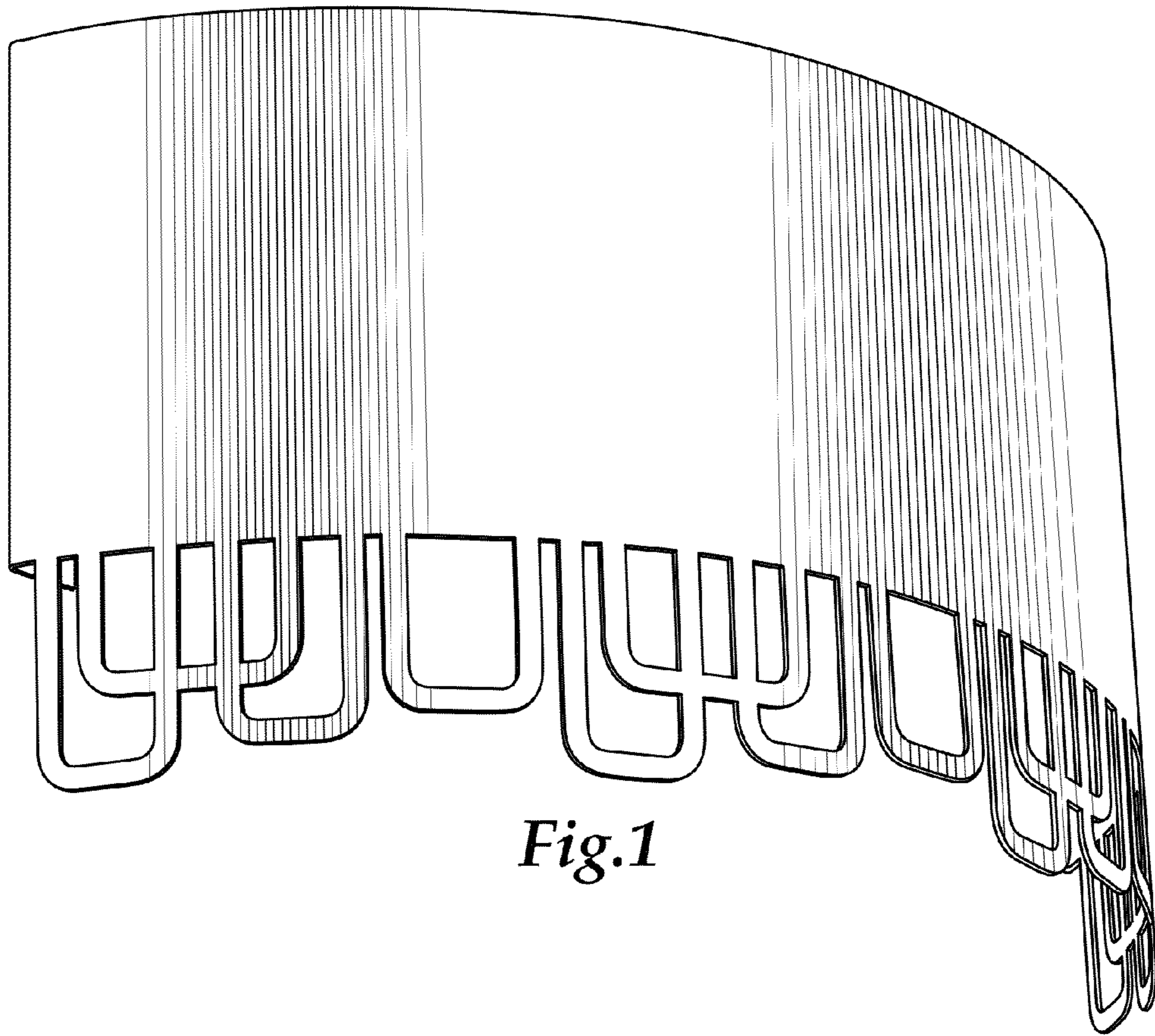


Fig.1

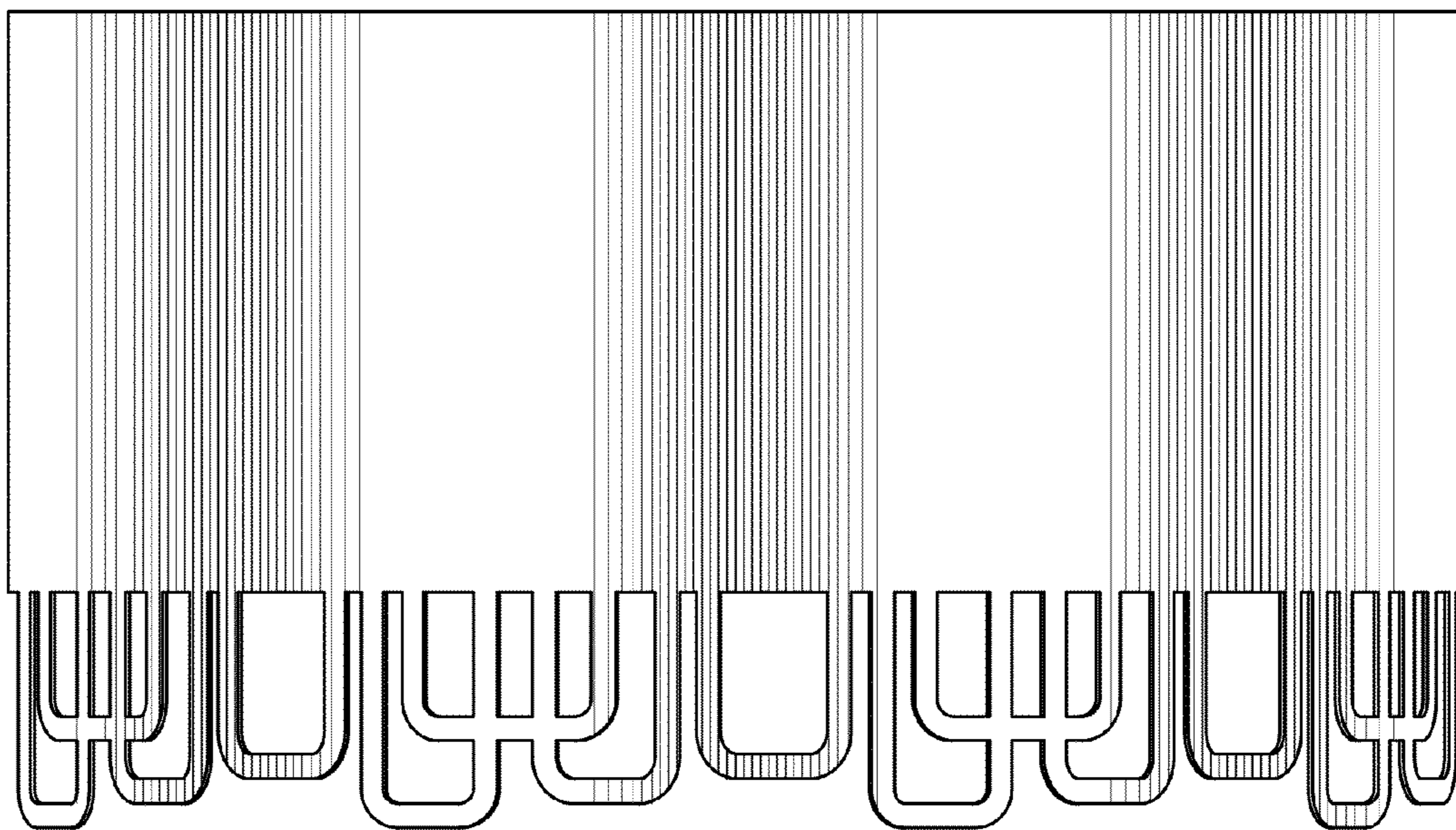


Fig.2

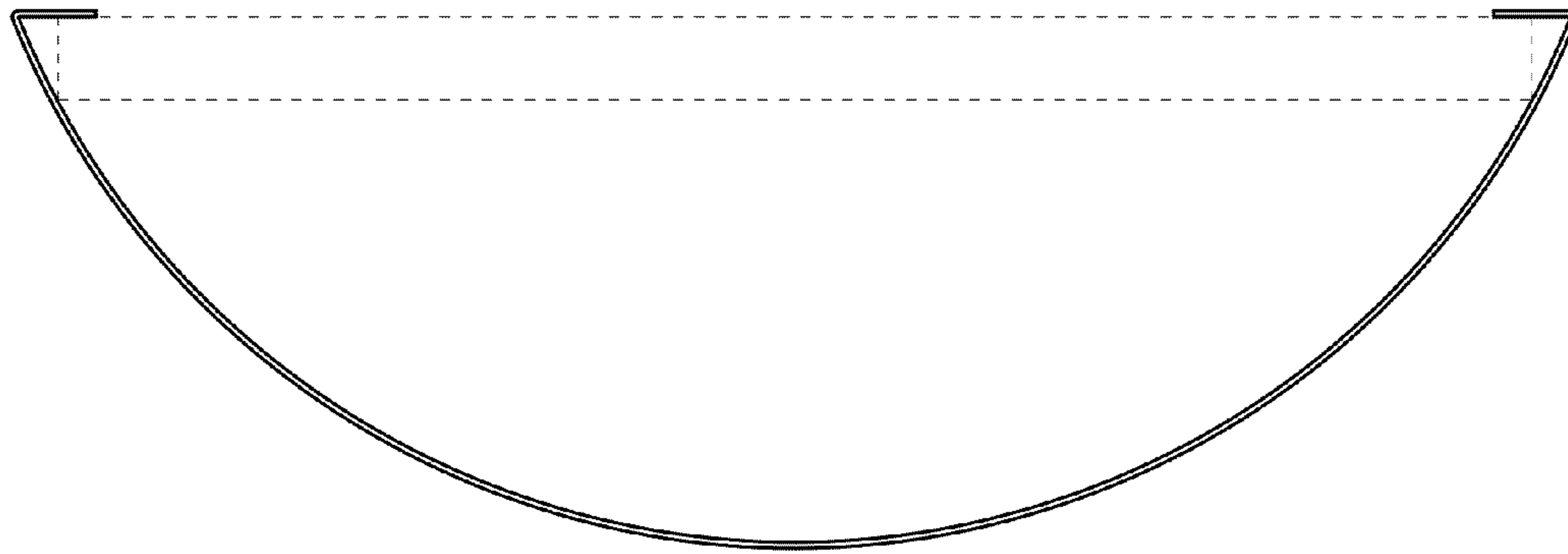


Fig.3

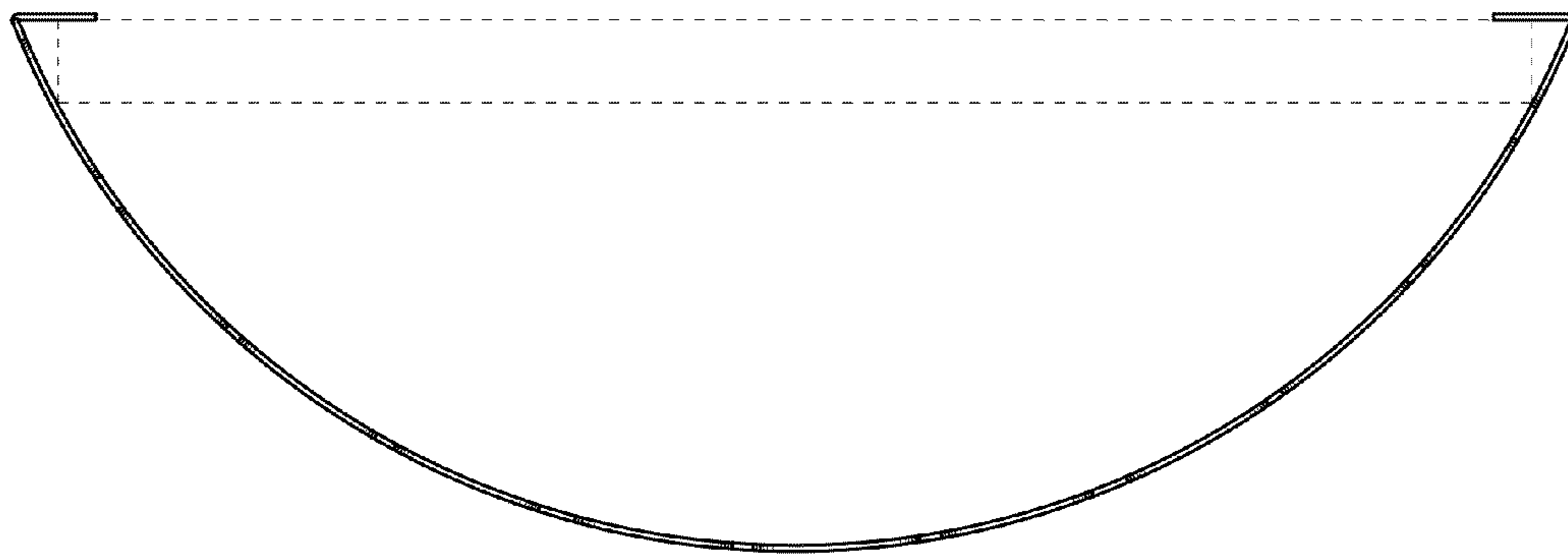


Fig.4

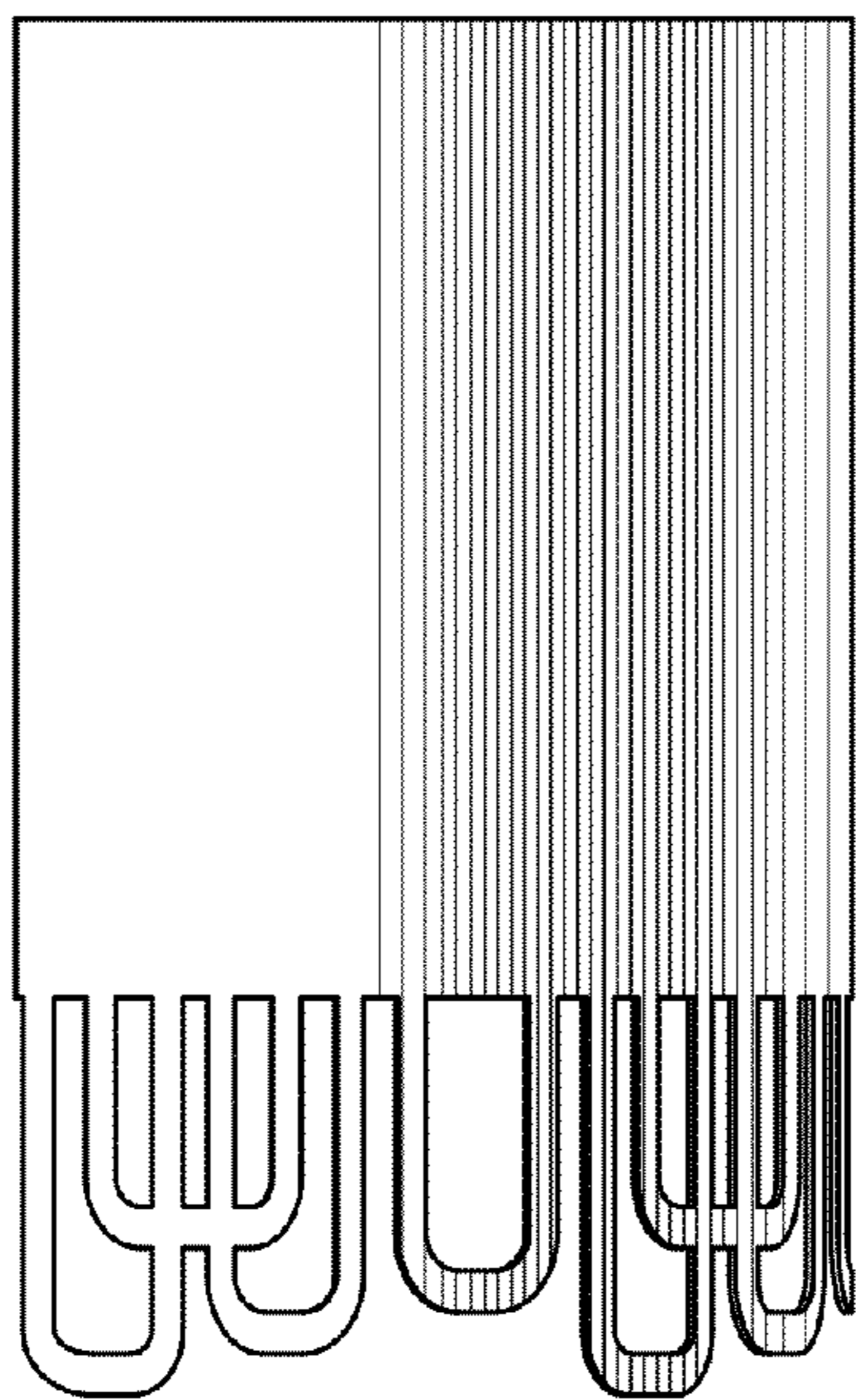


Fig.5

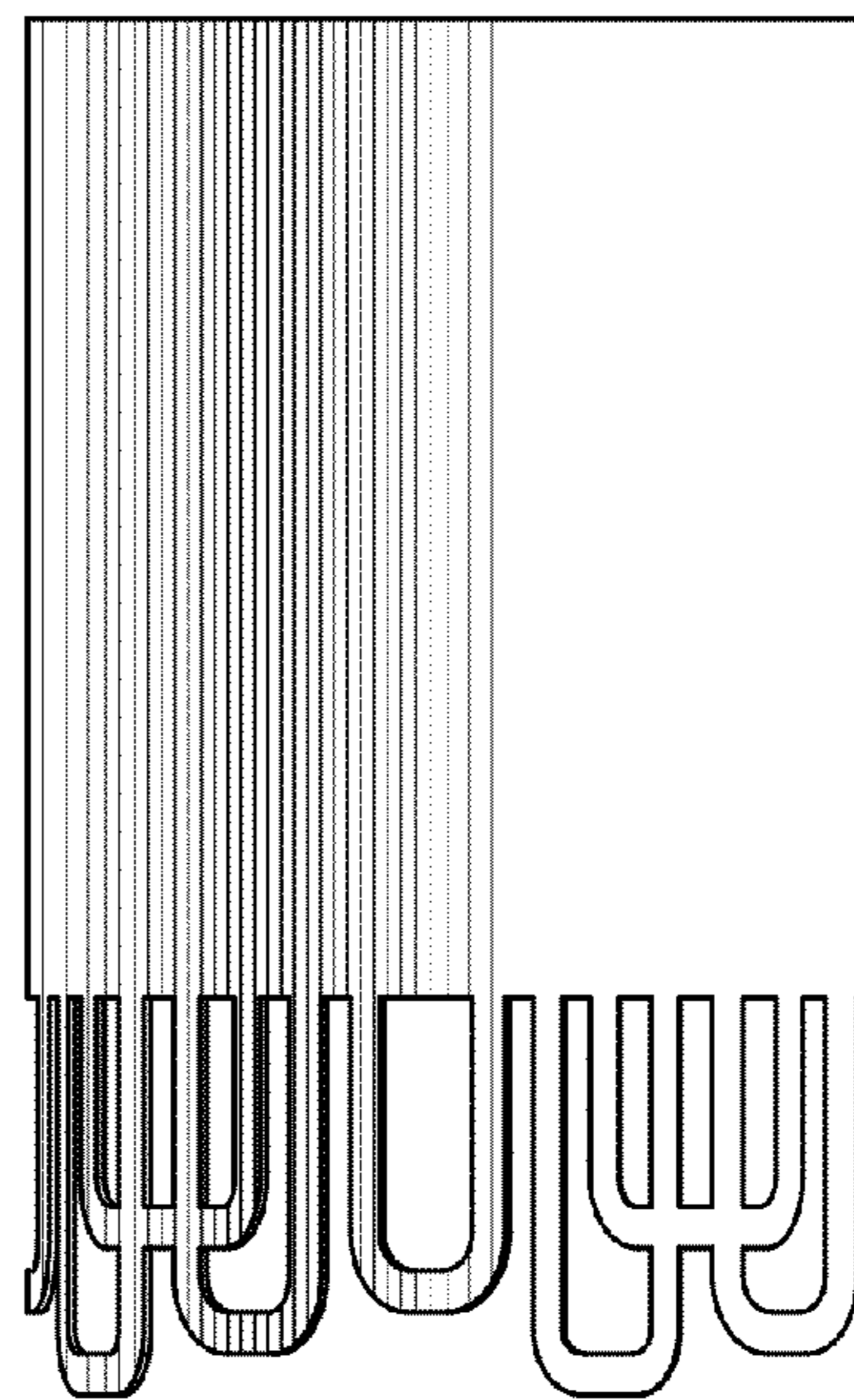


Fig.6