

US00D697653S

(12) **United States Design Patent**
Wessel

(10) **Patent No.:** **US D697,653 S**
(45) **Date of Patent:** **** Jan. 14, 2014**

(54) **LIGHTING APPARATUS**

(71) Applicant: **Elmer A. Wessel**, Lincoln, NE (US)

(72) Inventor: **Elmer A. Wessel**, Lincoln, NE (US)

(**) Term: **14 Years**

(21) Appl. No.: **29/444,992**

(22) Filed: **Feb. 6, 2013**

(51) **LOC (10) Cl.** **26-03**

(52) **U.S. Cl.**
USPC **D26/76**

(58) **Field of Classification Search**
USPC D26/1-3, 24, 56, 72, 74-86, 88-91;
D13/180, 182; 362/150,
362/217.01-217.05, 217.08, 217.09, 260,
362/364, 365, 366, 404, 555, 576, 800
See application file for complete search history.

(56) **References Cited**

U.S. PATENT DOCUMENTS

4,017,130	A	4/1977	Hanson	
4,609,975	A	9/1986	Badolato	
D477,094	S *	7/2003	Moriyama et al.	D26/3
D513,082	S *	12/2005	Hoshikawa et al.	D26/25
7,044,617	B2	5/2006	Maxwell	
7,308,987	B2	12/2007	Richardson	
7,419,061	B1	9/2008	Dorsey	
D606,673	S *	12/2009	Kao	D26/3
D627,914	S *	11/2010	Couture	D26/76
7,954,959	B2	6/2011	Ikeda	

7,997,430 B2 8/2011 Clark
8,033,679 B1 10/2011 Kemmler
D679,439 S * 4/2013 Lai D26/75

* cited by examiner

Primary Examiner — Zenia Bennett

(74) *Attorney, Agent, or Firm* — Geoffrey E. Dobbin;
Dobbin IP Law P.C.

(57) **CLAIM**

The ornamental design for a lighting apparatus, as shown and described.

DESCRIPTION

FIG. 1 is a front perspective view of the claimed lighting apparatus positioned on a merchandiser rack.

FIG. 2 is a front elevation of the lighting apparatus of FIG. 1.

FIG. 3 is a top plan view of the lighting apparatus of claim 1, the bottom view being a mirror image thereof.

FIG. 4 is an alternate perspective view of the lighting apparatus of FIG. 1.

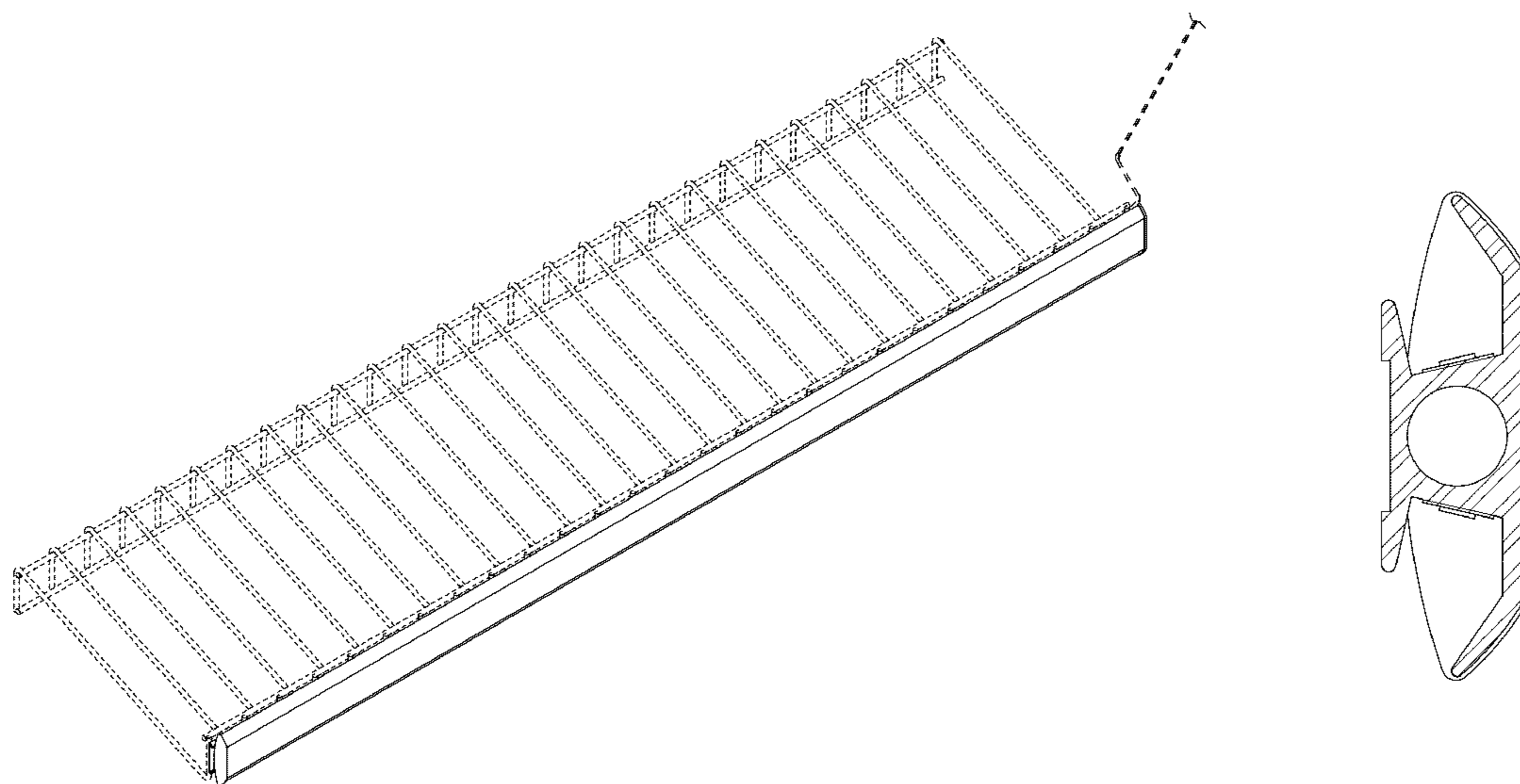
FIG. 5 is a rear perspective view of the lighting apparatus of FIG. 1.

FIG. 6 is a sectional view of the lighting apparatus of FIG. 2, taken along line 6-6; and,

FIG. 7 is a close-up view of the lighting apparatus of FIG. 5, taken in circle 7.

The broken lines in the figures depict environment, specifically a power cord and merchandiser rack, and are illustrative of environment and not intended to form a part of the claimed design.

1 Claim, 6 Drawing Sheets



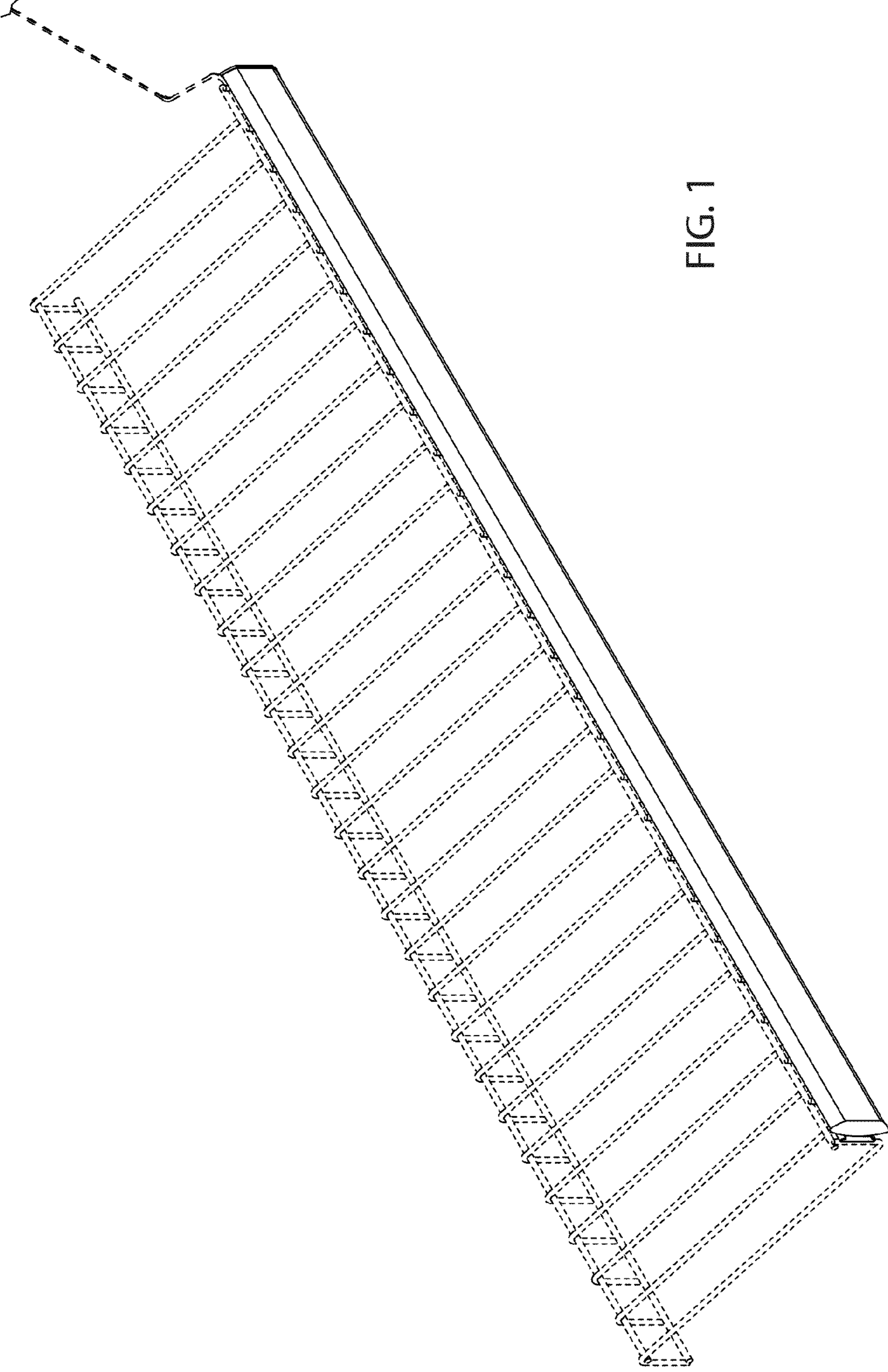


FIG. 1

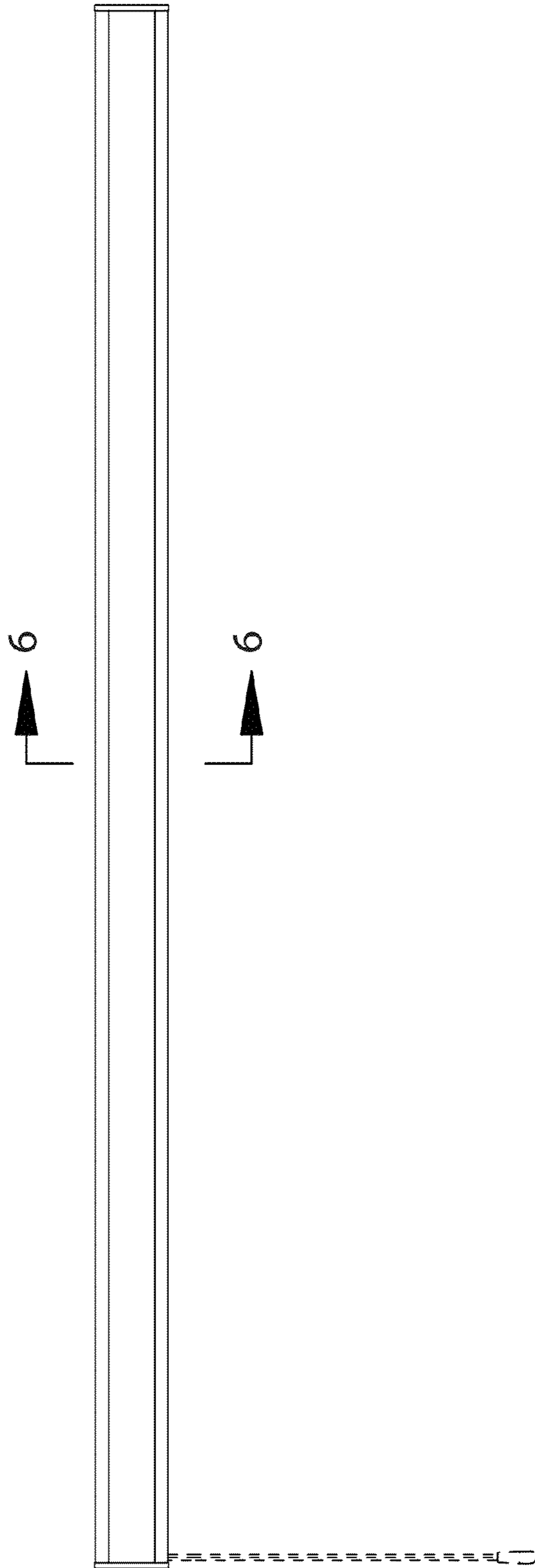


FIG. 2

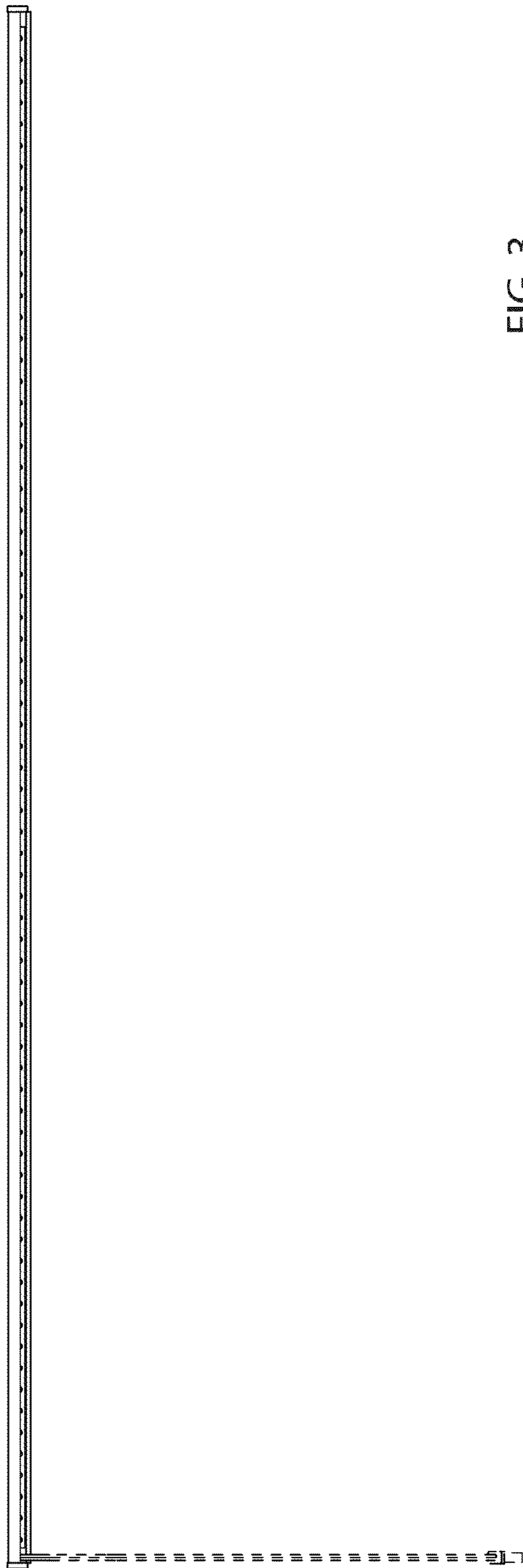


FIG. 3

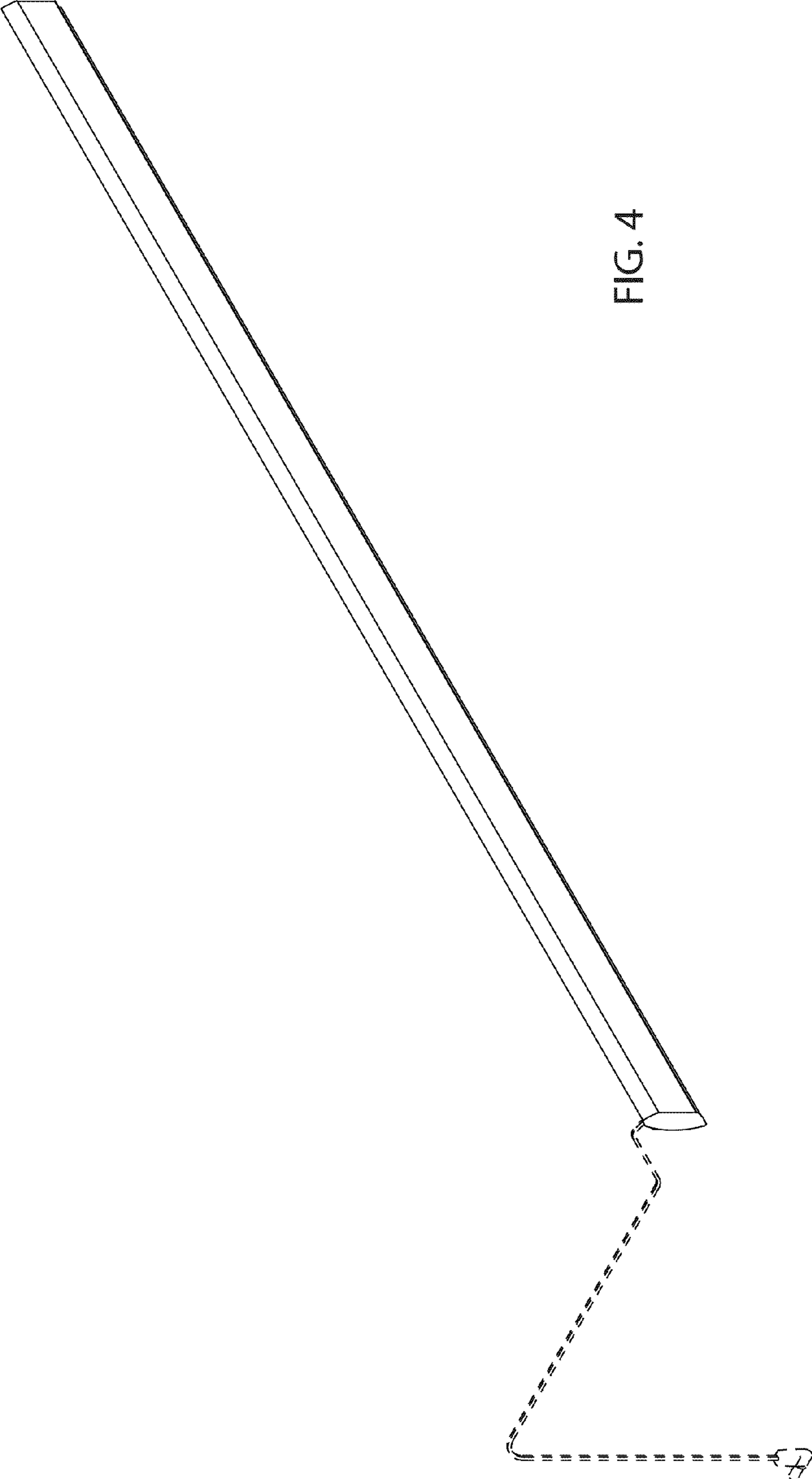
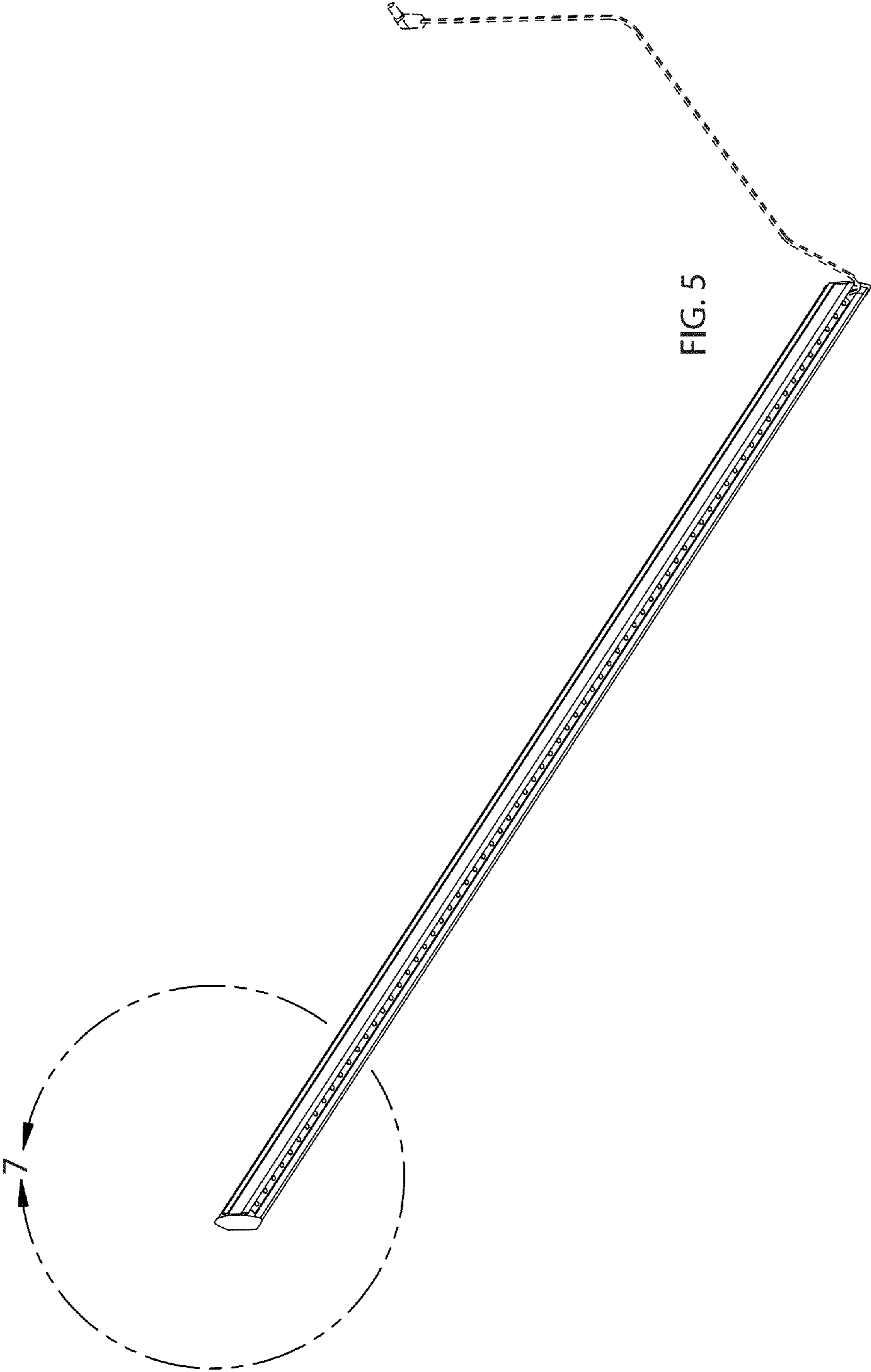


FIG. 4



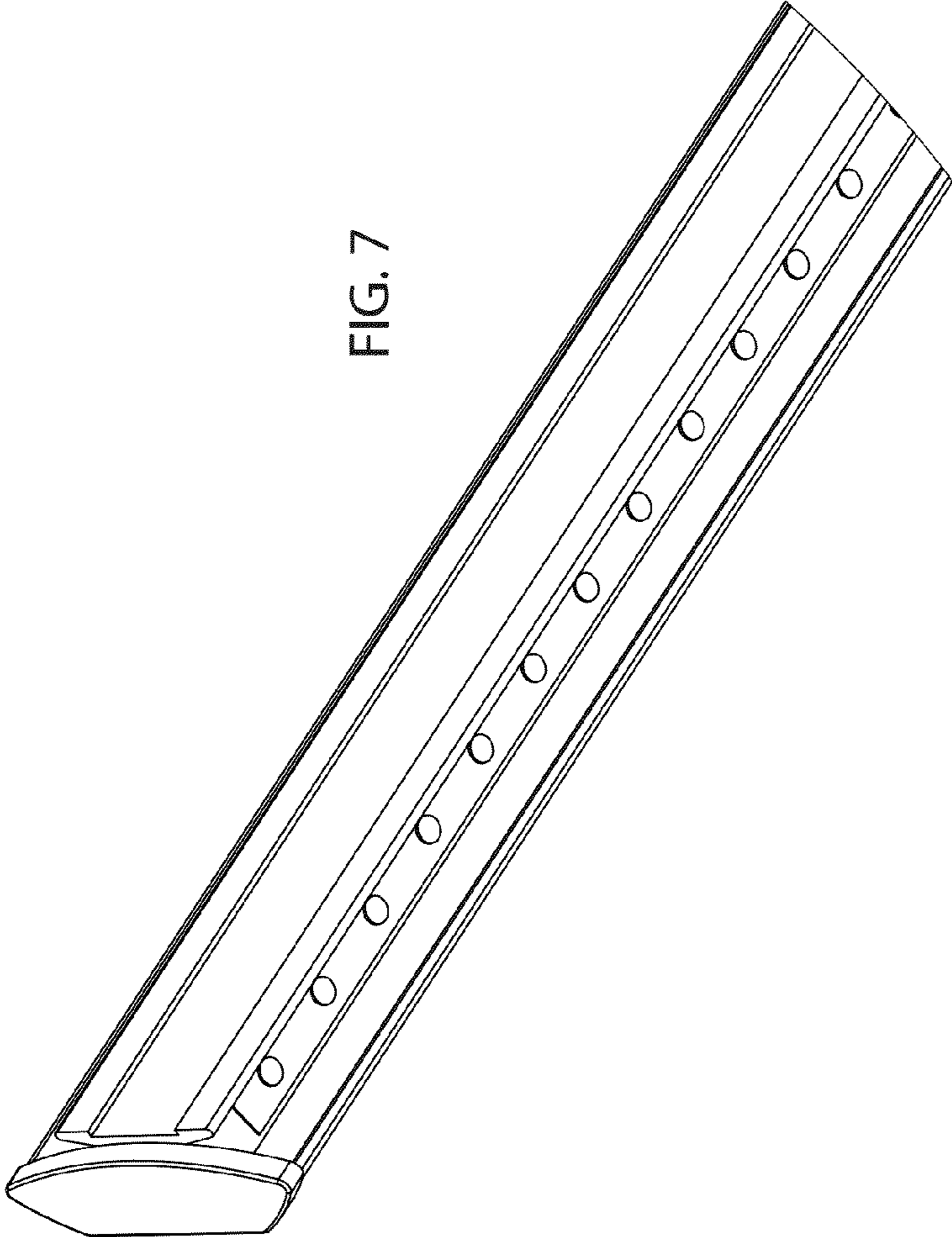


FIG. 7

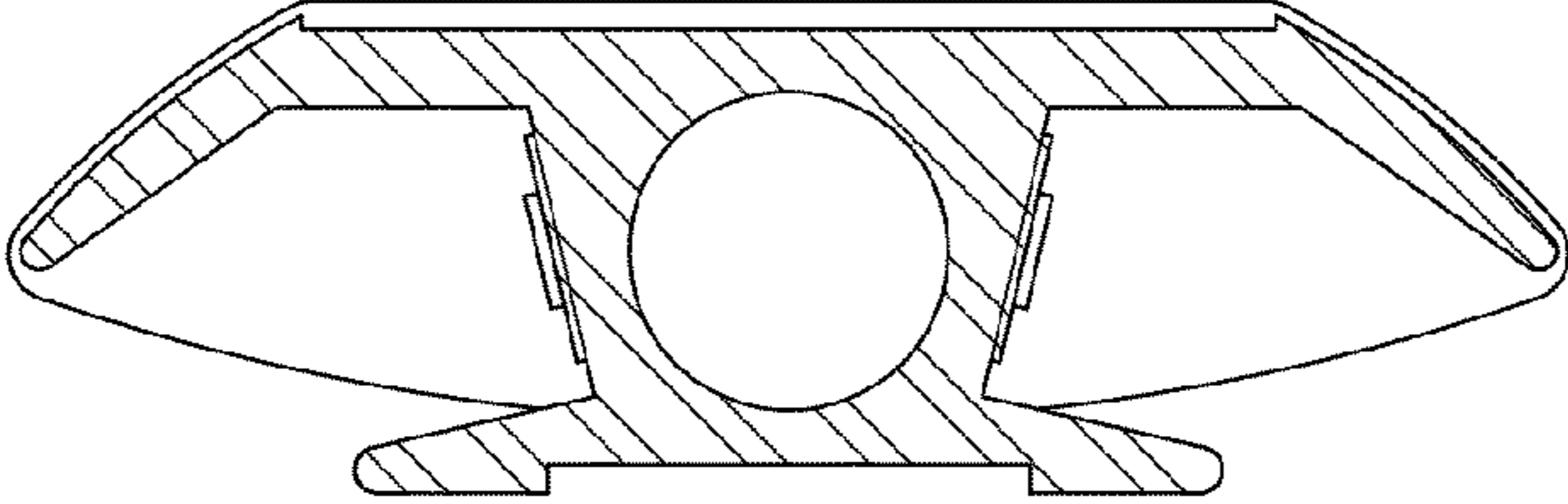


FIG. 6