

US00D697652S

(12) **United States Design Patent**  
**Savani**

(10) **Patent No.:** **US D697,652 S**  
(45) **Date of Patent:** **\*\* Jan. 14, 2014**

(54) **LIGHTING FIXTURE**

(71) Applicant: **Arun Savani**, Blue Bell, PA (US)

(72) Inventor: **Arun Savani**, Blue Bell, PA (US)

(\*\*) Term: **14 Years**

(21) Appl. No.: **29/439,761**

(22) Filed: **Dec. 14, 2012**

(51) **LOC (10) Cl.** ..... **26-03**

(52) **U.S. Cl.**  
USPC ..... **D26/76**

(58) **Field of Classification Search**  
USPC ..... D26/1-3, 24, 56, 72, 74-86, 88-91;  
D13/180, 182; 362/150,  
362/217.01-217.05, 217.08, 217.09, 260,  
362/364, 365, 366, 404, 555, 576, 800  
See application file for complete search history.

(56) **References Cited**

**U.S. PATENT DOCUMENTS**

D292,322 S	10/1987	Krol	
D306,773 S *	3/1990	Roulstone	D26/78
D399,586 S	10/1998	Ranieri et al.	
D411,641 S	6/1999	Ranieri et al.	
D413,402 S	8/1999	Ranieri	
5,988,829 A	11/1999	Holder	
D430,688 S *	9/2000	Plunk	D26/76
6,402,345 B1	6/2002	Fishman	
D465,869 S *	11/2002	Bodell	D26/78
D496,121 S	9/2004	Santoro	
7,175,312 B2 *	2/2007	Fowler, Jr.	362/260
D541,467 S	4/2007	Gould	
D561,383 S	2/2008	Hukle et al.	
D561,384 S	2/2008	Hukle et al.	
D561,930 S	2/2008	Hukle et al.	
D573,744 S *	7/2008	Engel	D26/76
D593,246 S	5/2009	Fowler, Jr. et al.	

D604,000 S	11/2009	Fowler, Jr. et al.	
D604,002 S	11/2009	Santoro	
D605,340 S	12/2009	Chung et al.	
D605,341 S	12/2009	Chung et al.	
D608,490 S	1/2010	Chung et al.	
D617,487 S	6/2010	Fowler, Jr. et al.	
D626,268 S	10/2010	Santoro	
D643,572 S	8/2011	Lown et al.	
8,002,446 B1	8/2011	Plunk et al.	
D646,421 S *	10/2011	Chung et al.	D26/75
8,042,977 B1	10/2011	Nourishad et al.	
8,057,064 B2	11/2011	Yeh et al.	
D665,119 S	8/2012	Bryant	
D667,156 S	9/2012	Pickard et al.	
D667,584 S *	9/2012	Beghelli	D26/75
D667,983 S	9/2012	Pickard et al.	
D675,365 S *	1/2013	Beghelli	D26/78

\* cited by examiner

*Primary Examiner* — Zenia Bennett

(74) *Attorney, Agent, or Firm* — Howson & Howson LLP

(57) **CLAIM**

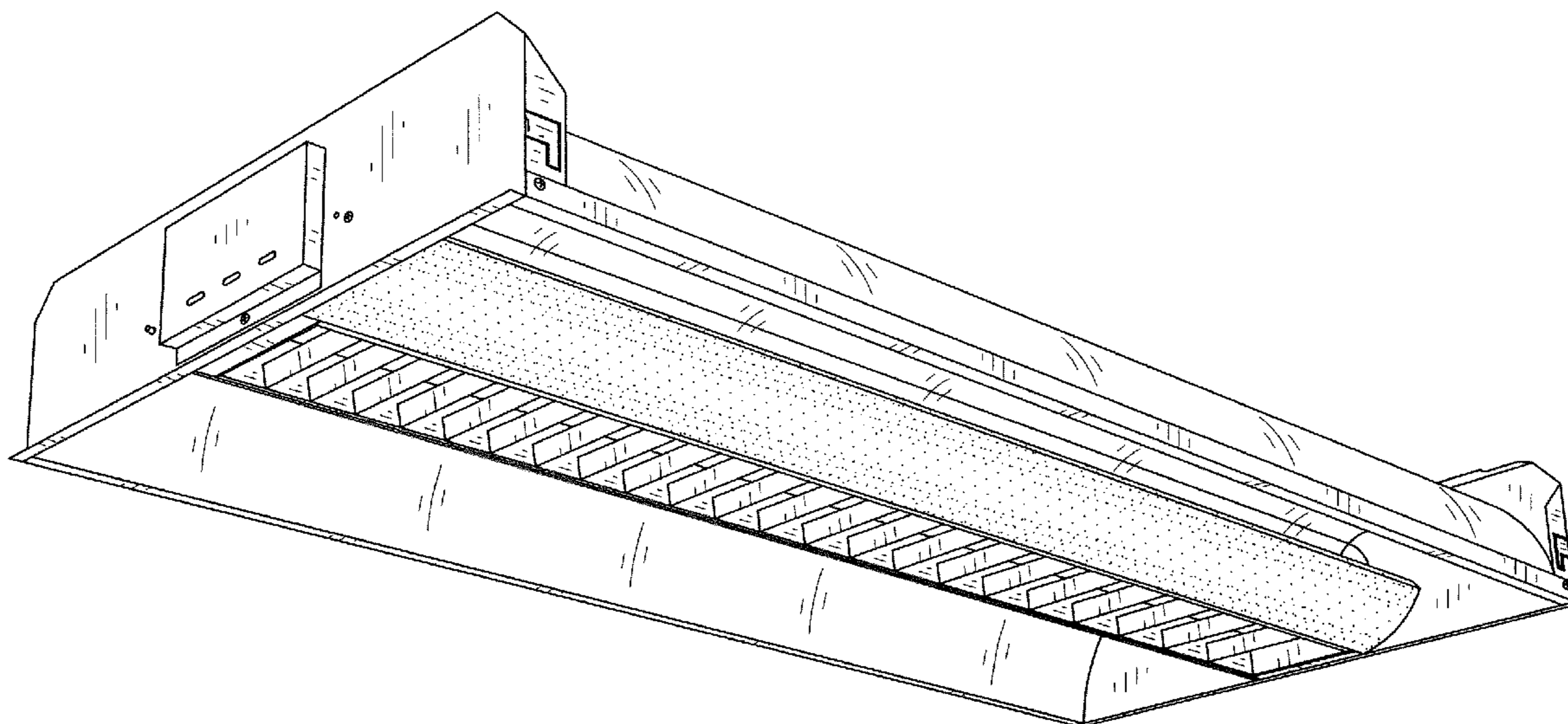
The ornamental design for a lighting fixture, as shown and described.

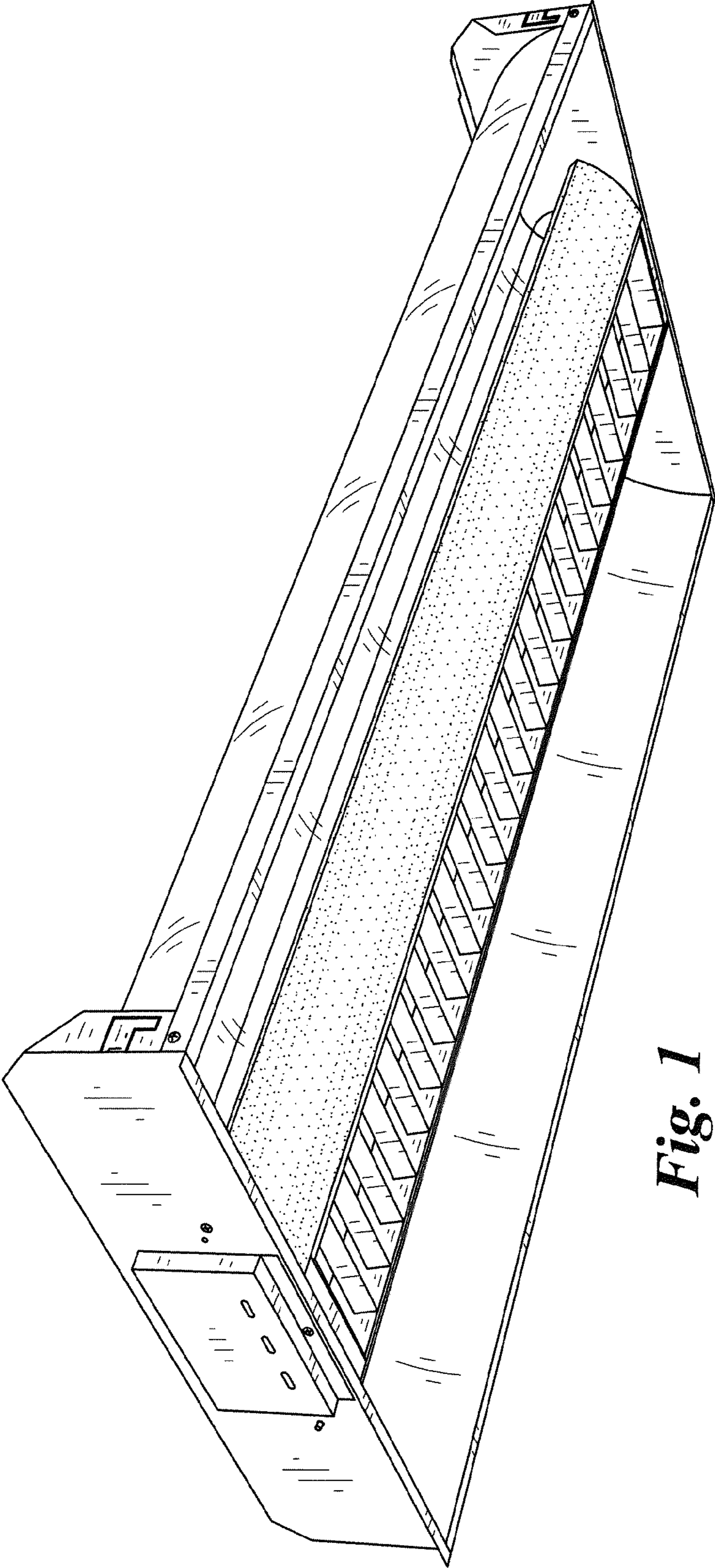
**DESCRIPTION**

FIG. 1 is a perspective view of the bottom, right side, and front end of a lighting fixture, showing my new design; FIG. 2 is a bottom plan view thereof; FIG. 3 is a top plan view thereof; FIG. 4 is an elevational view of the right side thereof; FIG. 5 is an elevational view of the front end thereof; and, FIG. 6 is a cross-sectional view thereof as seen through plane 6-6 in FIG. 2.

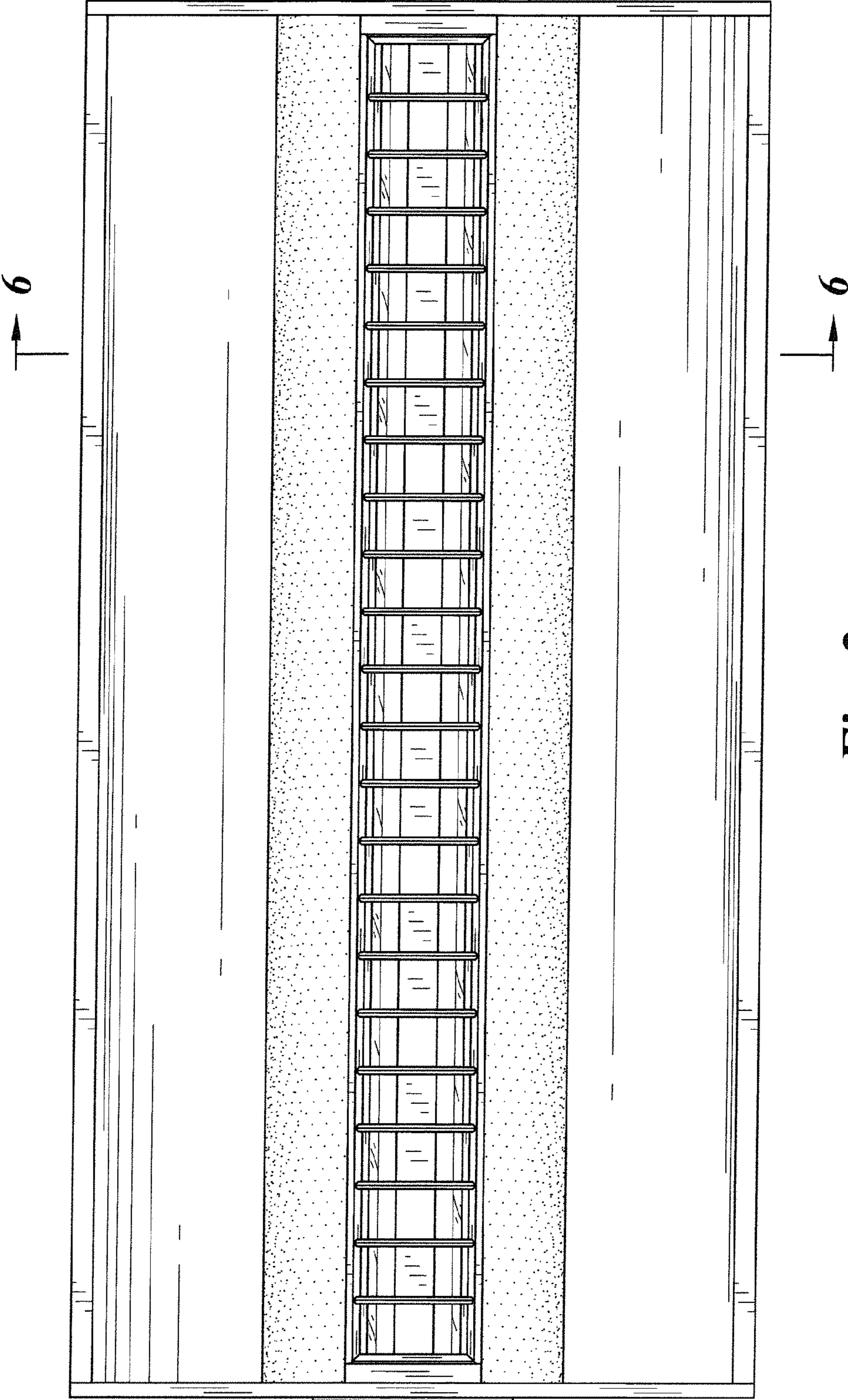
The left side elevational view and the rear end elevational view are identical to FIGS. 4 and 5, respectively. The broken lines are for environmental purposes only and form no part of the claimed design.

**1 Claim, 5 Drawing Sheets**

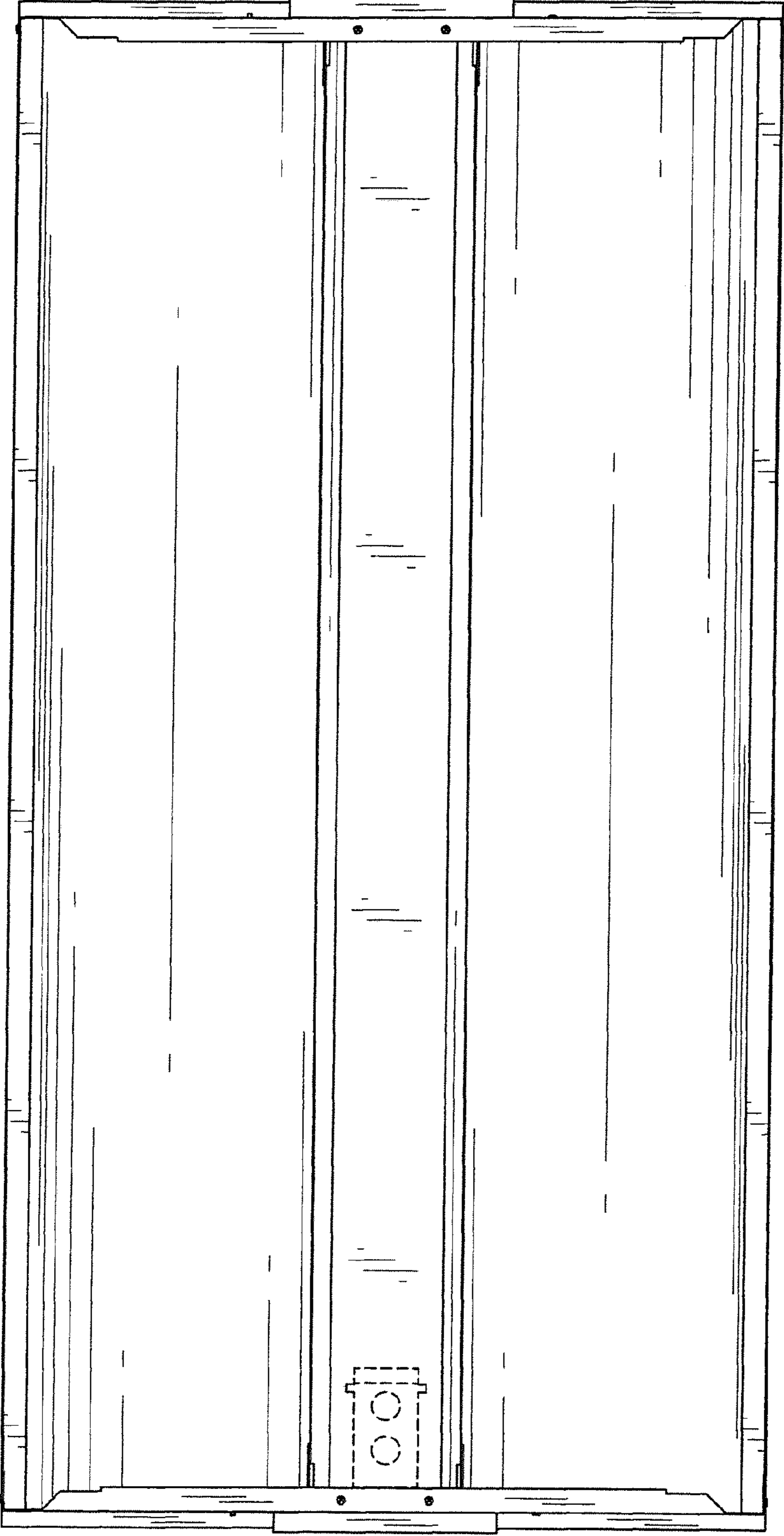




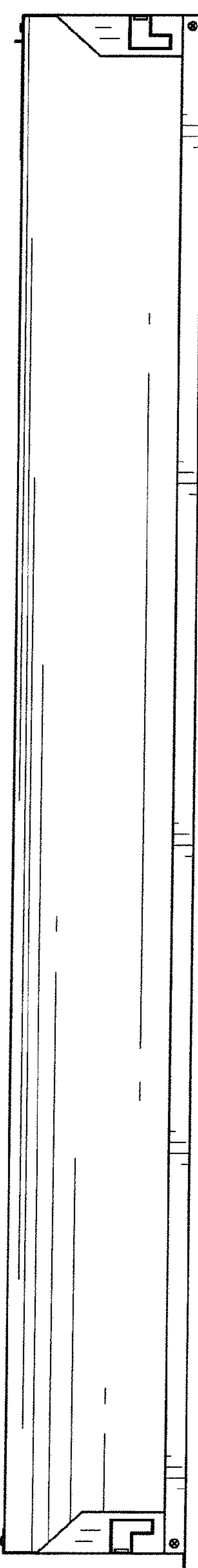
*Fig. 1*



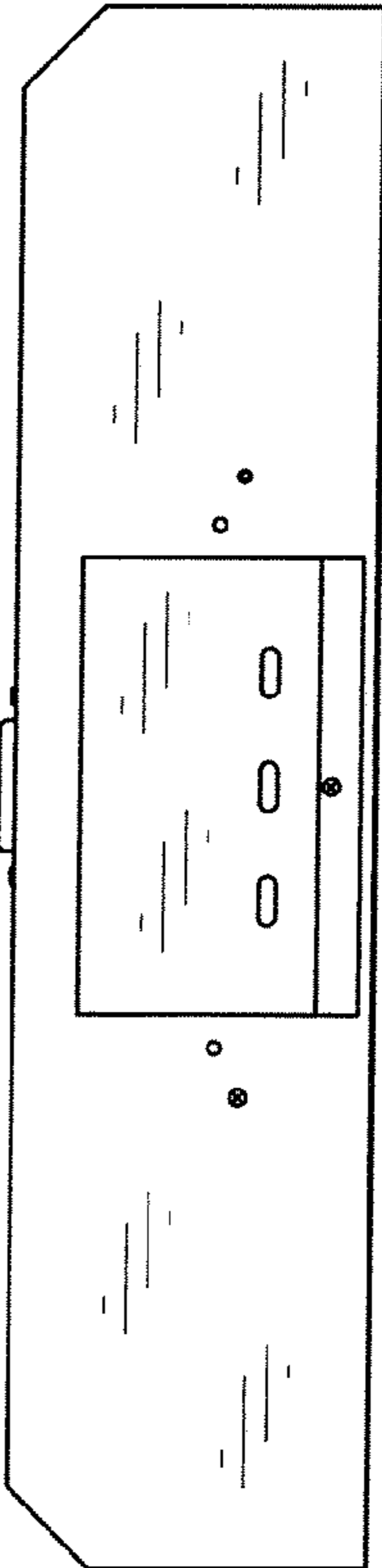
*Fig. 2*



*Fig. 3*



*Fig. 4*



*Fig. 5*

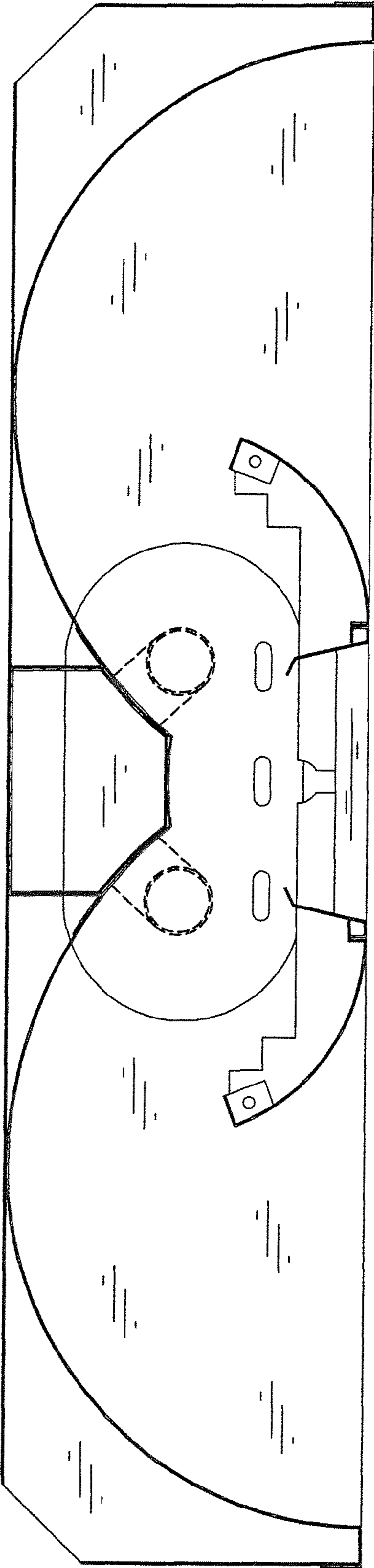


Fig. 6