



US00D697649S

(12) **United States Design Patent**
Byrne et al.

(10) **Patent No.:** **US D697,649 S**
(45) **Date of Patent:** **** Jan. 14, 2014**

(54) **RETRACTABLE LIGHT ASSEMBLY**

(71) Applicants: **Norman R. Byrne**, Ada, MI (US); **Peter Stathis**, San Francisco, CA (US); **Daniel P. Byrne**, Lowell, MI (US)

(72) Inventors: **Norman R. Byrne**, Ada, MI (US); **Peter Stathis**, San Francisco, CA (US); **Daniel P. Byrne**, Lowell, MI (US)

(**) Term: **14 Years**

(21) Appl. No.: **29/439,901**

(22) Filed: **Dec. 17, 2012**

Related U.S. Application Data

(63) Continuation-in-part of application No. 13/494,204, filed on Jun. 12, 2012.

(51) **LOC (10) Cl.** **26-03**

(52) **U.S. Cl.**
USPC **D26/61**

(58) **Field of Classification Search**
USPC D26/24, 61, 66; D13/139.4; 362/285, 362/258, 385, 387, 145, 147; 439/131, 135
See application file for complete search history.

(56) **References Cited**

U.S. PATENT DOCUMENTS

1,476,149 A 12/1923 Cohen
(Continued)

Primary Examiner — Brian N Vinson

(74) *Attorney, Agent, or Firm* — Gardner, Linn, Burkhardt & Flory, LLP

(57) **CLAIM**

The ornamental design for a retractable light assembly, as shown and described.

DESCRIPTION

FIG. 1 is a perspective view of the retractable light assembly showing our new design with its electric lamp assembly fully raised, taken from above and to the right-front side; FIG. 2 is another perspective view of the retractable light assembly of FIG. 1, taken from above and to the right-rear side;

FIG. 3 is right side elevation of the retractable light assembly of FIG. 1;

FIG. 4 is a left side elevation of the retractable light assembly of FIG. 1;

FIG. 5 is a rear elevation of the retractable light assembly of FIG. 1;

FIG. 6 is a front elevation of the retractable light assembly of FIG. 1;

FIG. 7 is a top plan view of the retractable light assembly of FIG. 1;

FIG. 8 is a bottom plan view of the retractable light assembly of FIG. 1;

FIG. 9 is a perspective view of the retractable light assembly of FIG. 1, taken from above and to the right-front side, and shown mounted in a work surface with its electric lamp assembly skewed to the right-rear and rotated counterclockwise as viewed from above;

FIG. 10 is another perspective view of the retractable light assembly of FIG. 1, shown with its electric lamp assembly retracted slightly downwardly from the fully raised position of FIG. 1;

FIG. 11 is another perspective view of the retractable light assembly of FIG. 1, shown with its electric lamp assembly retracted further downwardly from the position of FIG. 10;

FIG. 12 is another perspective view of the retractable light assembly of FIG. 1, shown with its electric lamp assembly retracted nearly fully downwardly;

FIG. 13 is another perspective view of the retractable light assembly of FIG. 1, shown with its electric lamp assembly fully retracted;

FIG. 14 is a right side elevation of the retractable light assembly of FIG. 13;

FIG. 15 is a left side elevation of the retractable light assembly of FIG. 13;

FIG. 16 is a front end elevation of the retractable light assembly of FIG. 13;

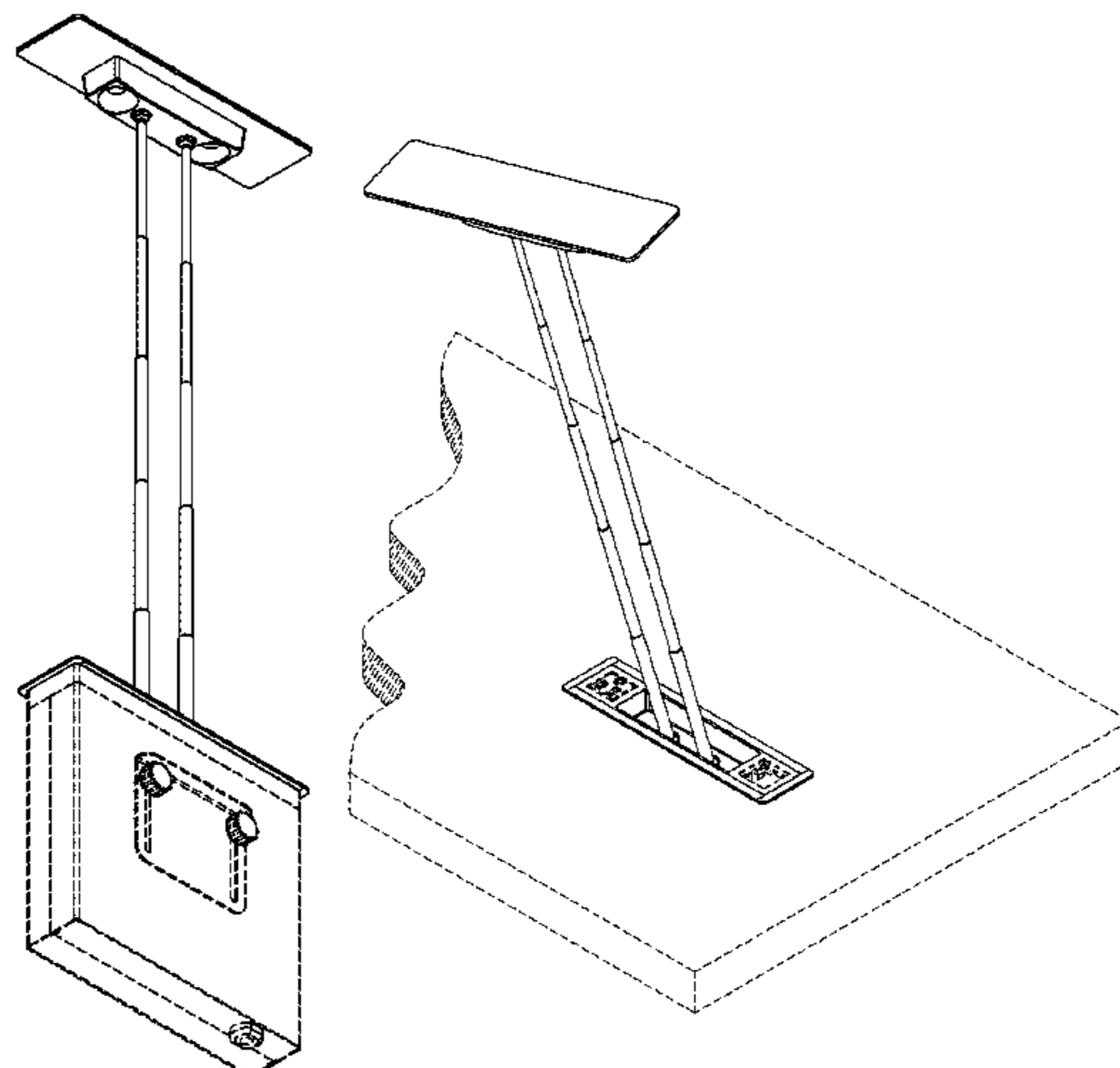
FIG. 17 is a rear end elevation of the retractable light assembly of FIG. 13;

FIG. 18 is a top plan view of the retractable light assembly of FIG. 13; and,

FIG. 19 is a bottom plan view of the retractable light assembly of FIG. 13.

The broken lines are included for the purpose of illustrating portions of the retractable light assembly that form no part of the claimed design.

1 Claim, 9 Drawing Sheets



(56)

References Cited

U.S. PATENT DOCUMENTS

2,811,574 A	10/1957	Guerrero	5,072,345 A	12/1991	Goggia
3,433,886 A	3/1969	Myers	5,142,463 A *	8/1992	Panagotacos et al. 362/285
3,622,684 A	11/1971	Press	5,351,173 A	9/1994	Byrne
3,646,244 A	2/1972	Cole	5,727,875 A	3/1998	Huang
3,671,735 A	6/1972	King	6,099,139 A *	8/2000	Lapensee 362/285
3,794,956 A	2/1974	Dubreuil	D442,143 S *	5/2001	Gershfeld D13/139.4
4,180,850 A *	12/1979	Bivens 362/285	D456,357 S *	4/2002	Gershfeld D13/139.4
4,337,506 A	6/1982	Terada	6,533,431 B2	3/2003	Leifer et al.
4,388,678 A	6/1983	Turner	6,634,763 B1	10/2003	Leifer et al.
4,511,198 A	4/1985	Mitchell et al.	6,767,107 B1	7/2004	Leifer et al.
4,541,663 A	9/1985	Schwanitz et al.	7,670,032 B2	3/2010	Lau
4,551,577 A	11/1985	Byrne	7,775,691 B2 *	8/2010	Burgei et al. 362/285
4,612,604 A	9/1986	Schlyter	D642,715 S *	8/2011	Lee D26/61
4,747,788 A	5/1988	Byrne	8,303,134 B2	11/2012	Byrne
4,910,650 A	3/1990	Gorainik	2002/0041499 A1	4/2002	Pederson
4,984,139 A	1/1991	Goggia	2010/0317223 A1	12/2010	Byrne
4,994,946 A	2/1991	NakaMats	2011/0019391 A1	1/2011	Welter
			2012/0009820 A1	1/2012	Byrne
			2012/0014097 A1	1/2012	Byrne
			2012/0314418 A1	12/2012	Byrne et al.

* cited by examiner

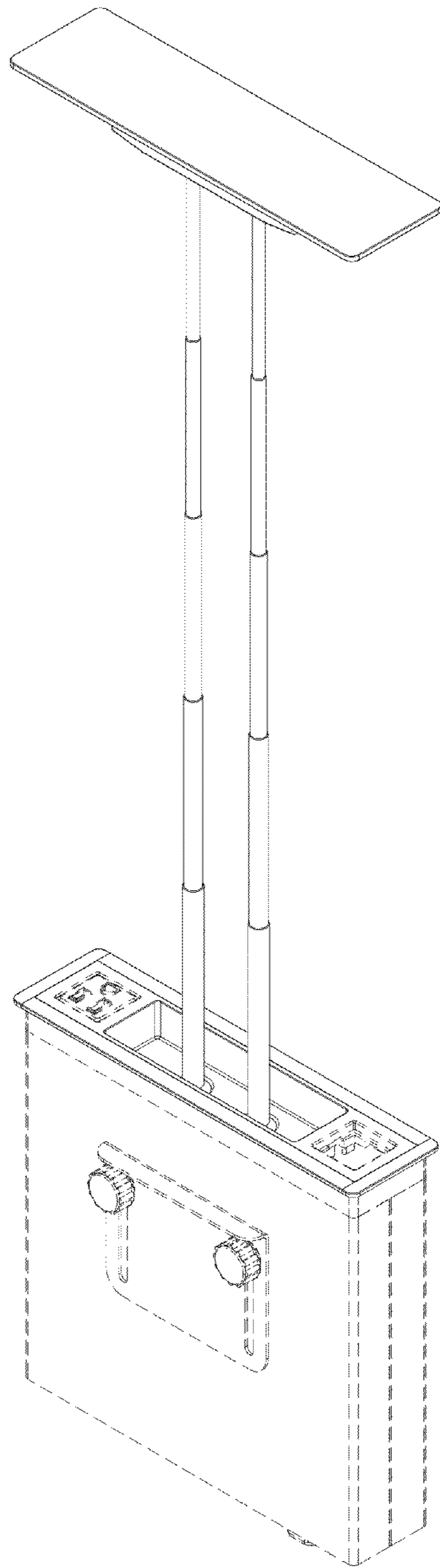


FIG. 1

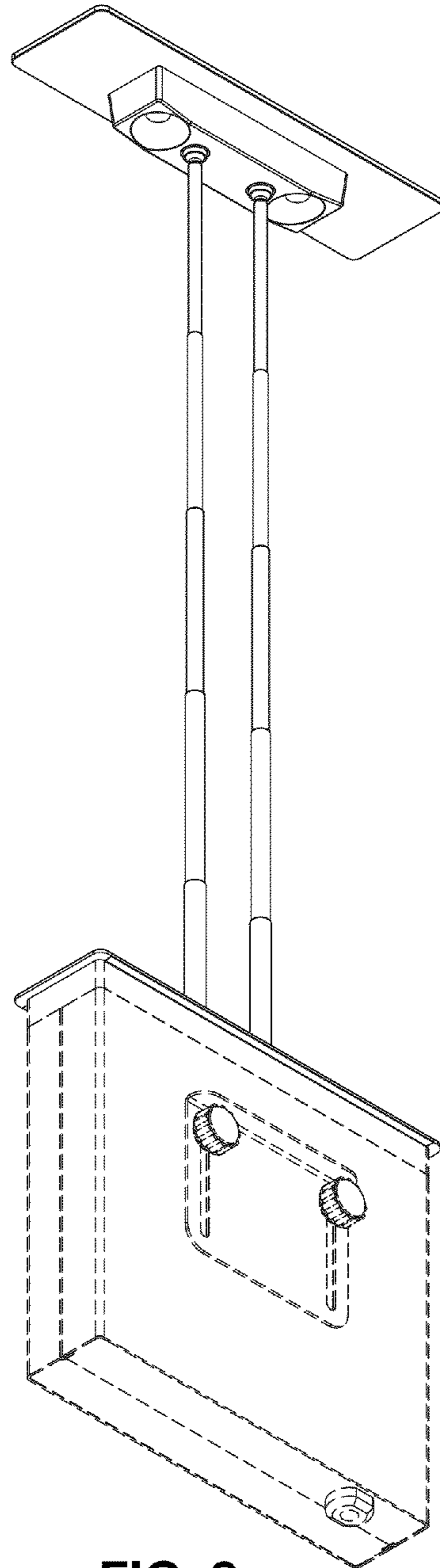


FIG. 2

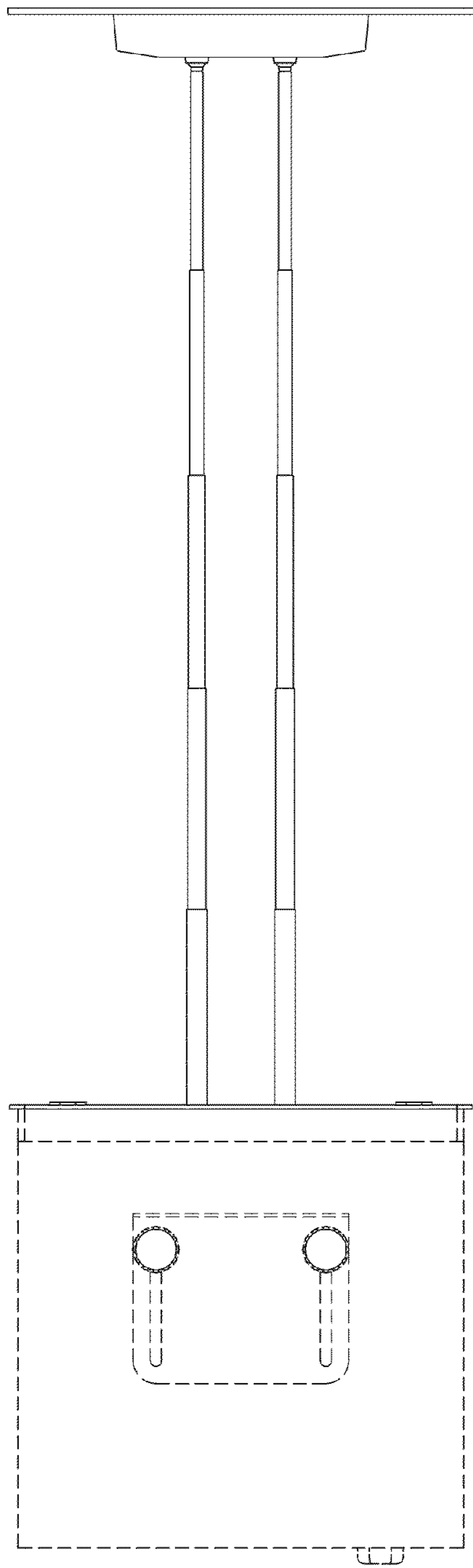


FIG. 3

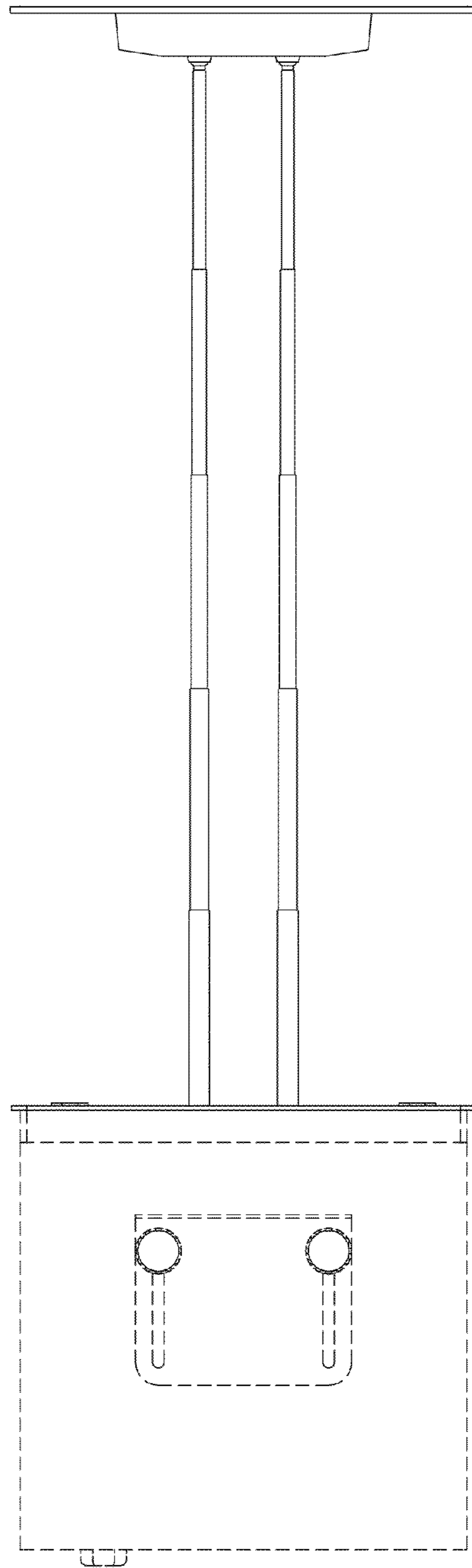


FIG. 4

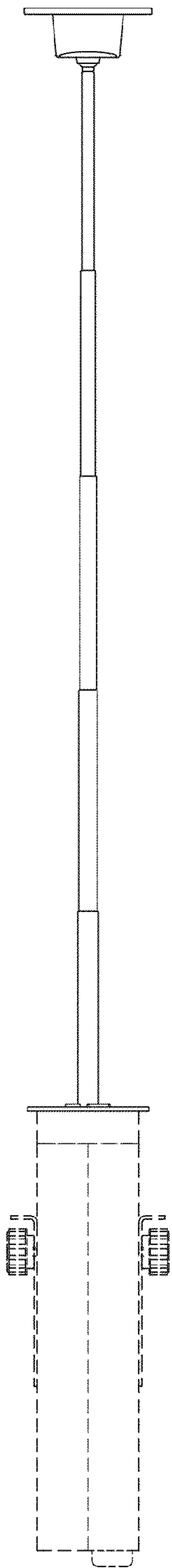


FIG. 5

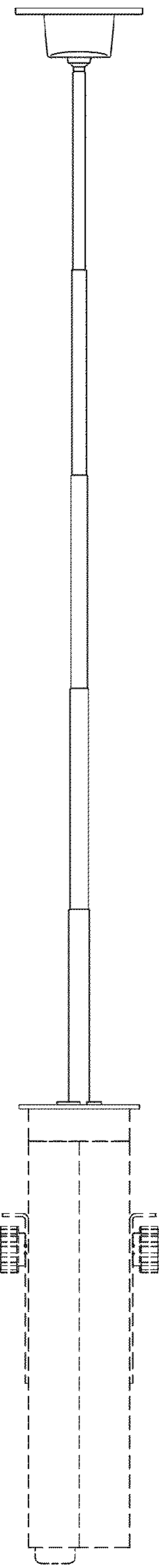


FIG. 6

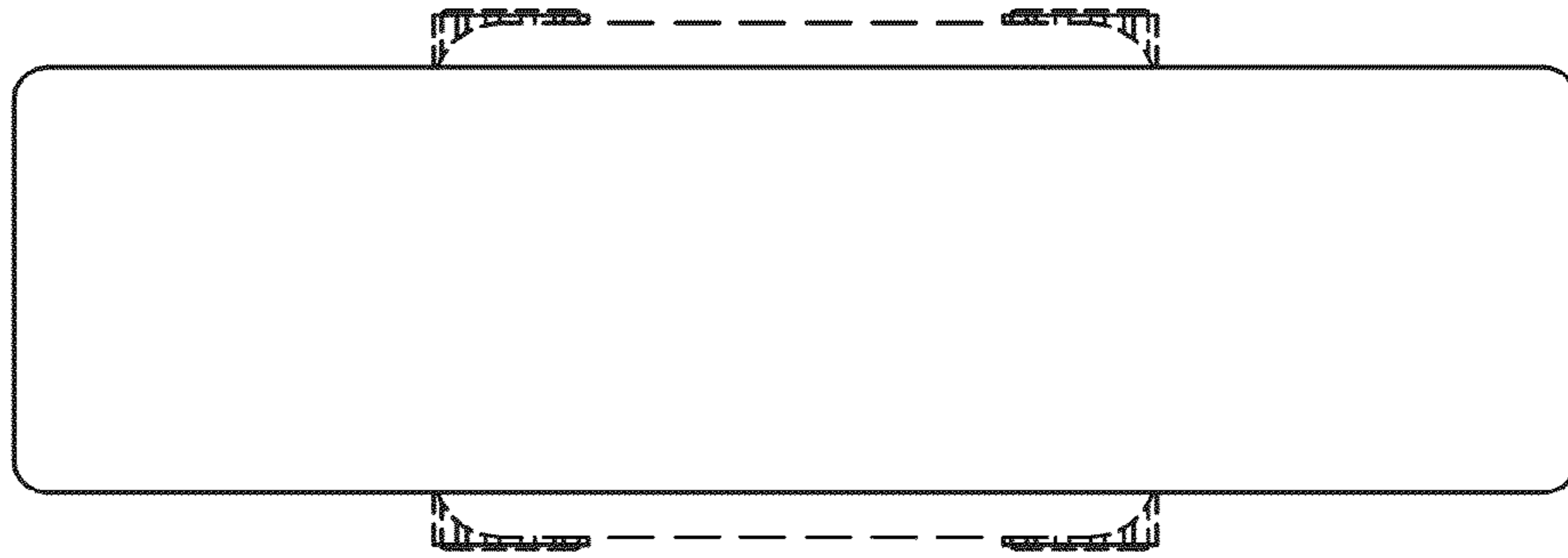


FIG. 7

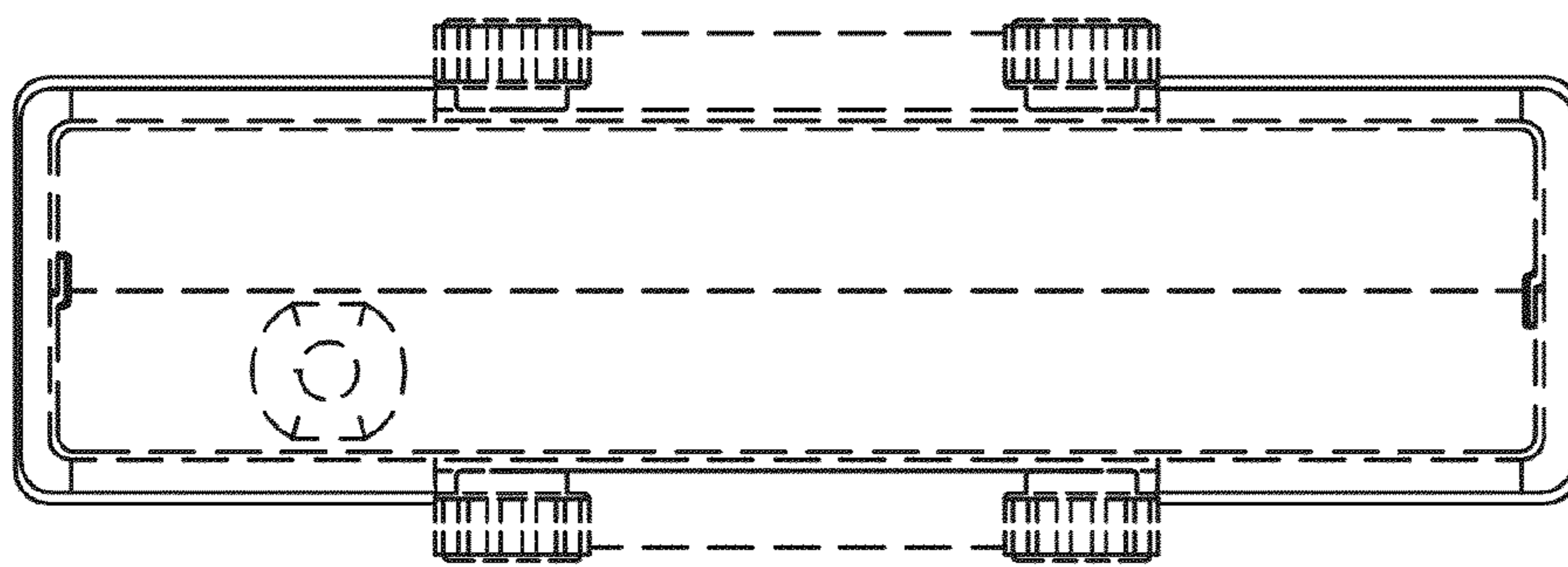


FIG. 8



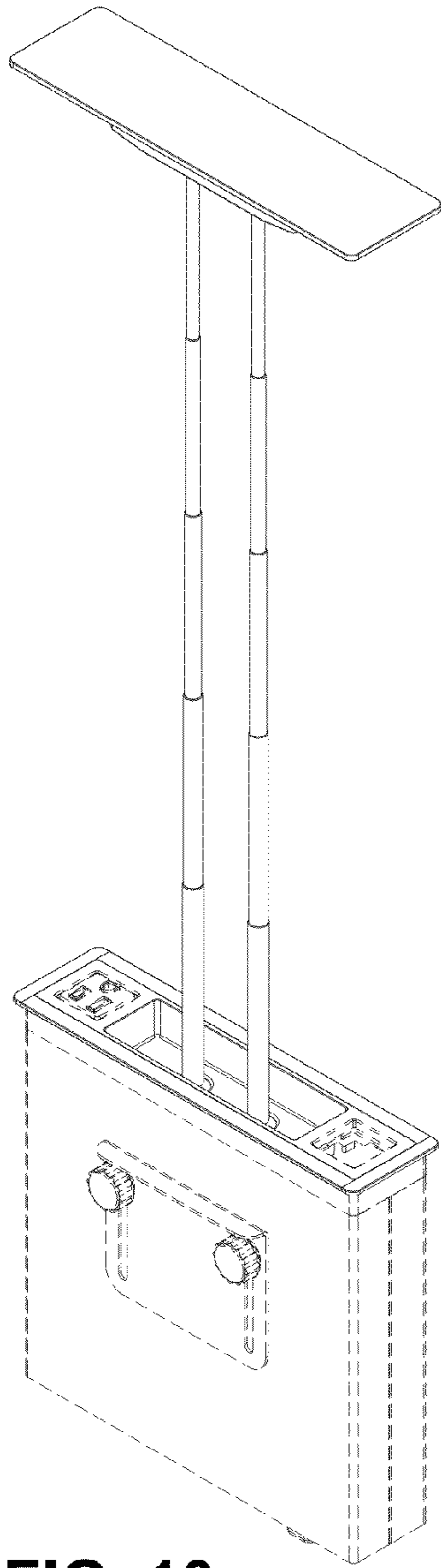


FIG. 10

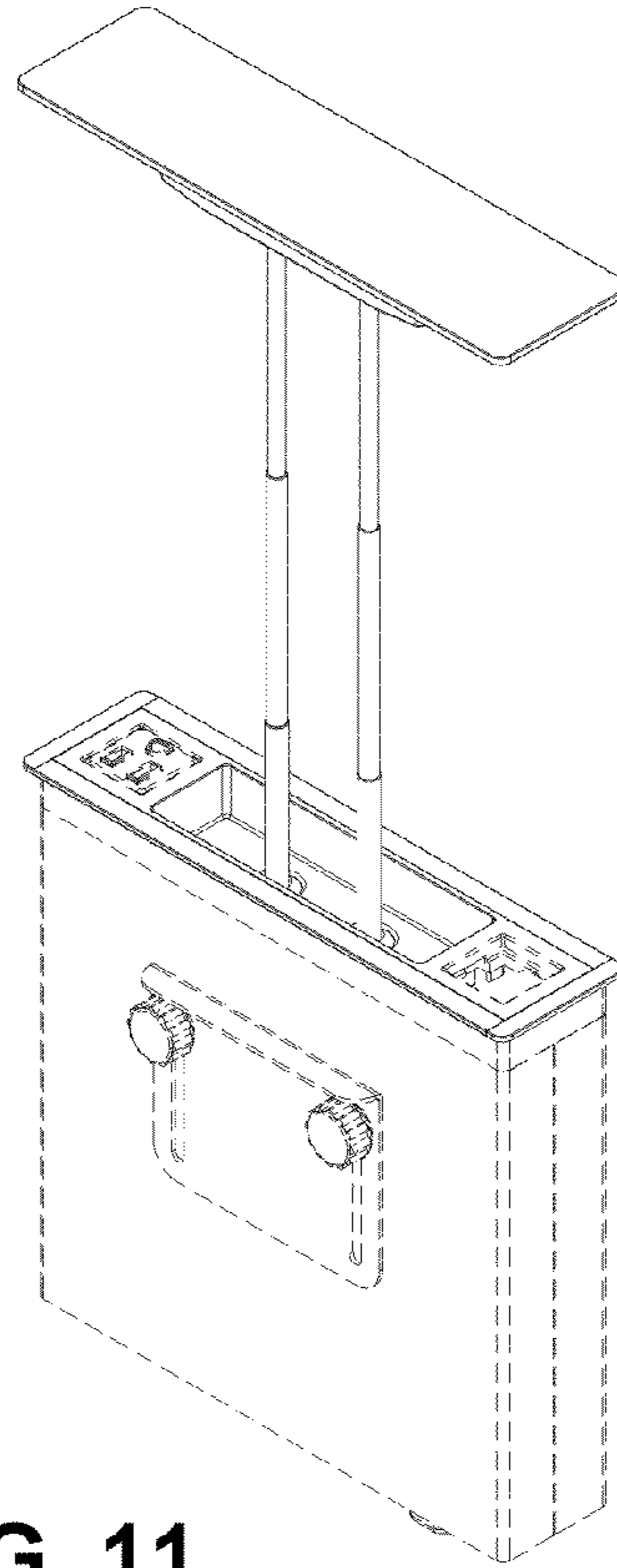


FIG. 11

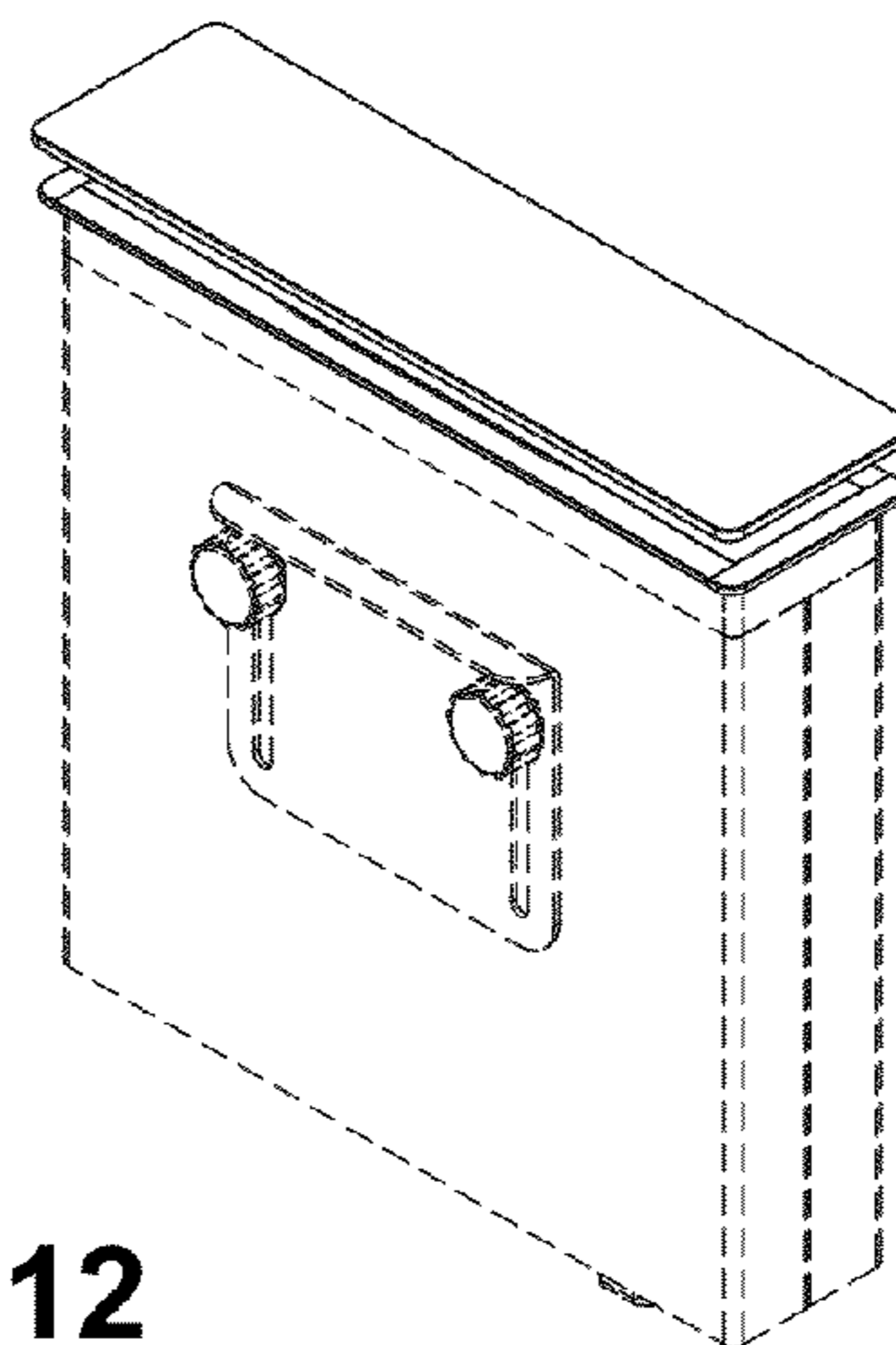


FIG. 12

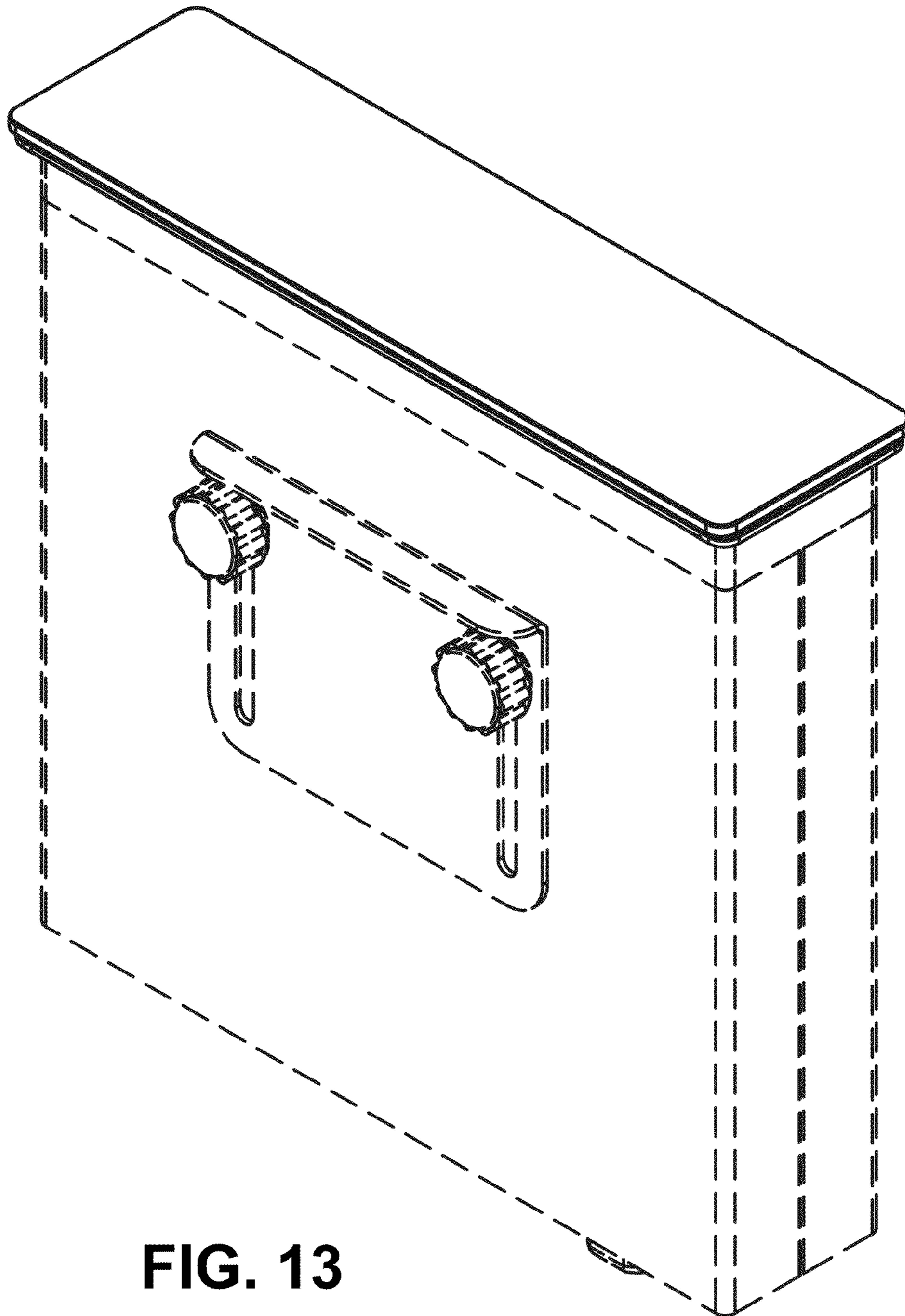


FIG. 13

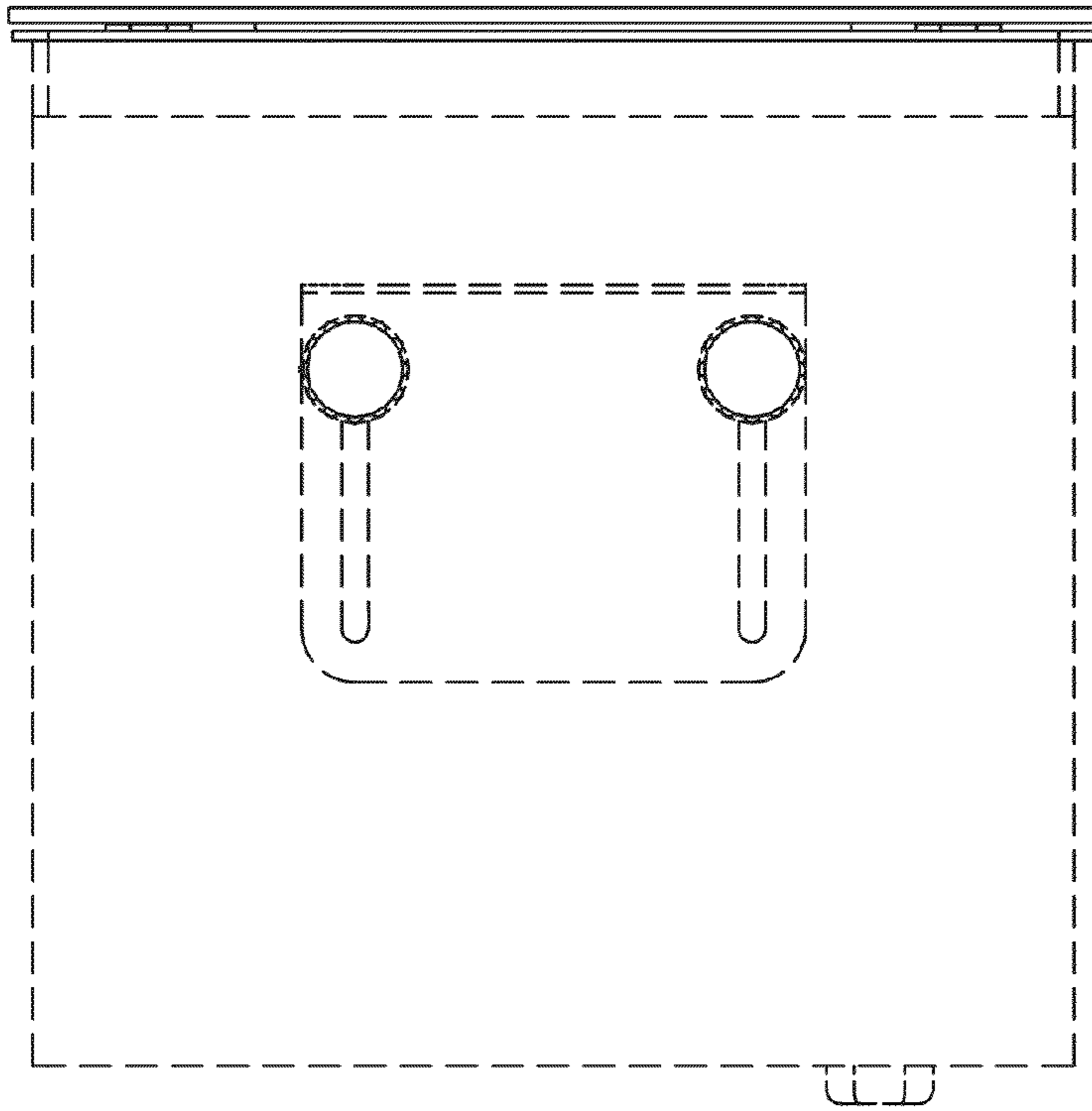


FIG. 14

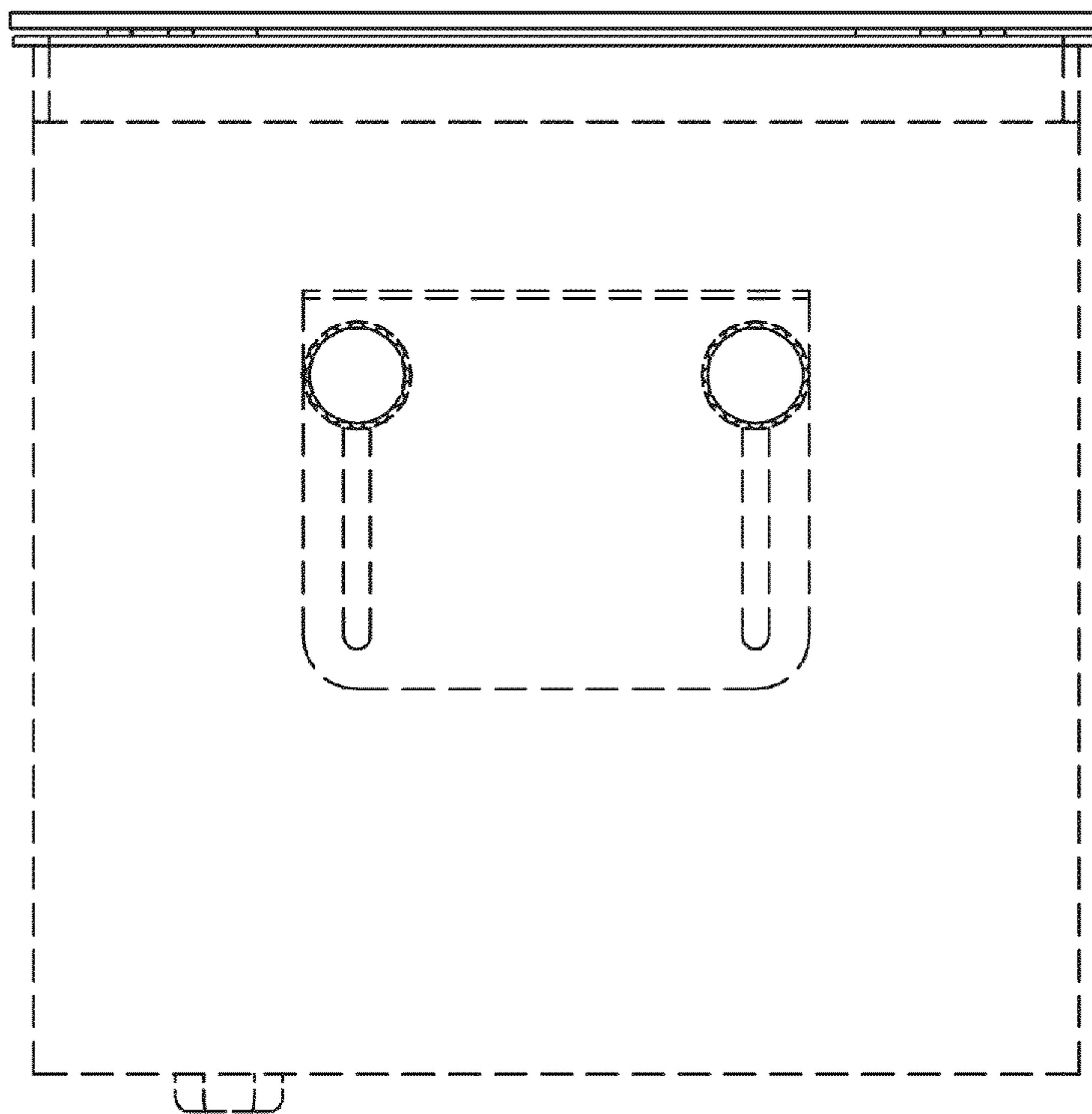


FIG. 15

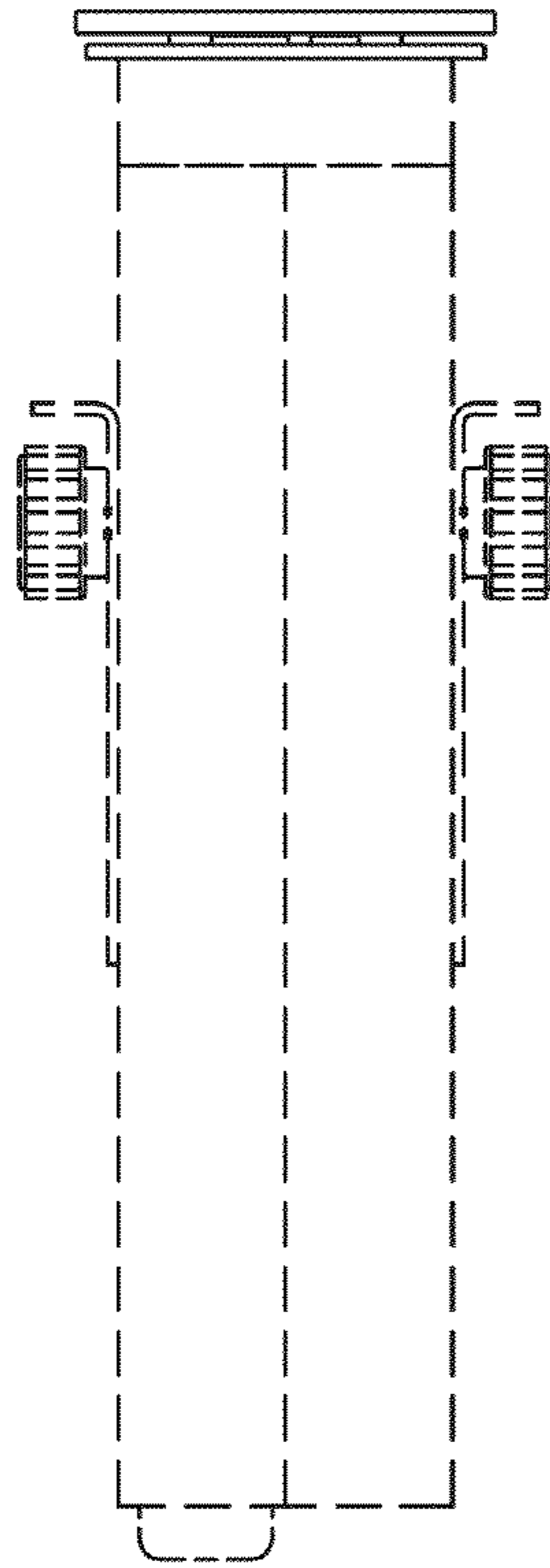


FIG. 16

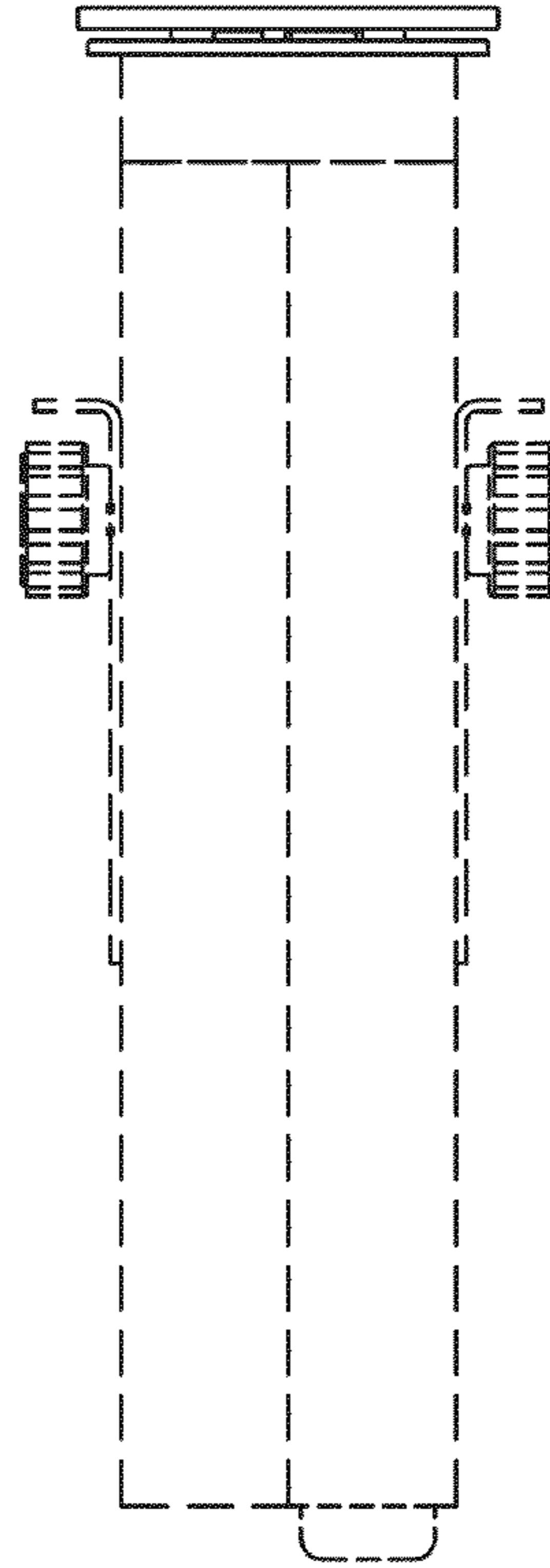


FIG. 17



FIG. 18

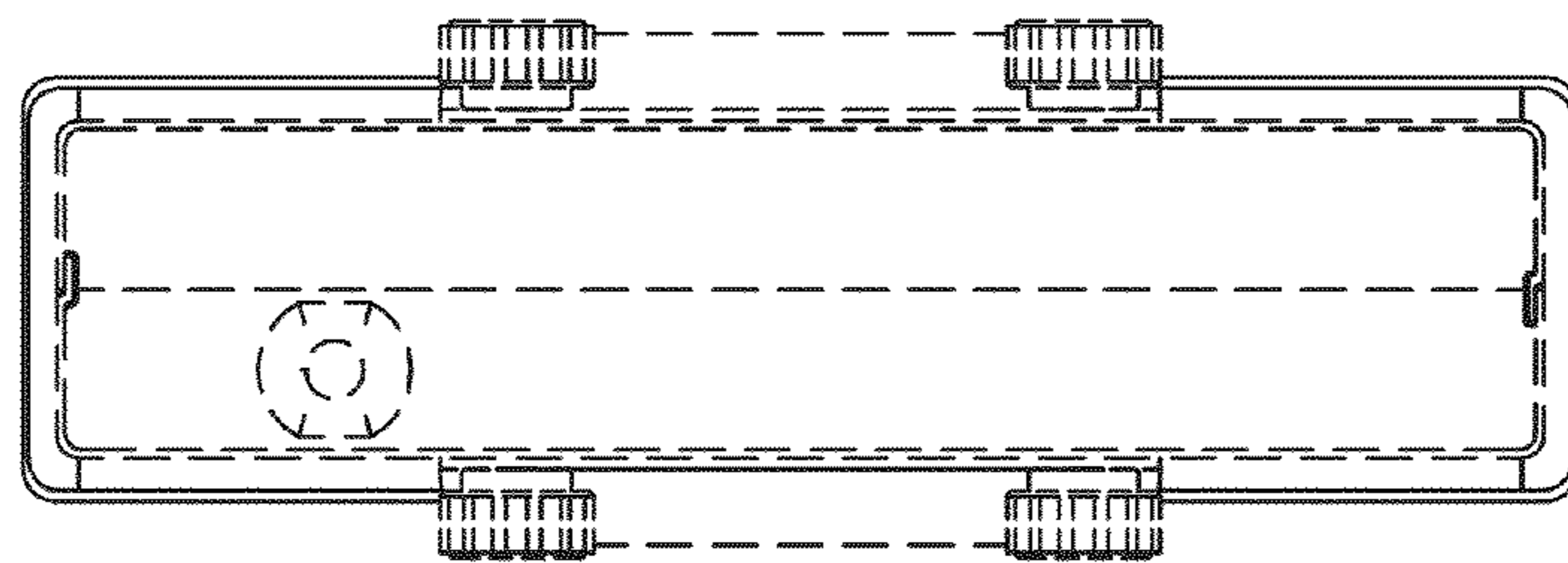


FIG. 19