



US00D697646S

(12) **United States Design Patent**  
**He et al.**

(10) **Patent No.:** **US D697,646 S**  
(45) **Date of Patent:** **\*\* Jan. 14, 2014**

(54) **LIGHTING APPLIANCE**

(75) Inventors: **Yubao He**, Shenzhen (CN); **Yabin Luo**,  
Shenzhen (CN); **Tengzhi Qin**, Shenzhen  
(CN); **Canbang Yang**, Shenzhen (CN)

(73) Assignee: **OSRAM Gesellschaft mit**  
**beschraenkter Haftung**, Munich (DE)

(\*\*) Term: **14 Years**

(21) Appl. No.: **29/393,859**

(22) Filed: **Jun. 10, 2011**

(30) **Foreign Application Priority Data**

Dec. 10, 2010 (EM) ..... 001792177

(51) **LOC (10) Cl.** ..... **26-05**

(52) **U.S. Cl.**  
USPC ..... **D26/24**

(58) **Field of Classification Search**  
USPC ..... D26/24, 25, 51, 60-66, 72, 85, 92,  
D26/118-19; 362/125, 147, 249.01, 227,  
362/219, 217.01  
See application file for complete search history.

(56) **References Cited**

**U.S. PATENT DOCUMENTS**

D240,762 S \* 7/1976 Fraker ..... D26/51  
D312,136 S \* 11/1990 Miletich et al. .... D26/24

D563,012 S \* 2/2008 Citterio et al. .... D26/63  
D578,237 S \* 10/2008 Engel ..... D26/63  
D595,887 S \* 7/2009 Blom ..... D26/76  
D646,416 S \* 10/2011 Wauters ..... D26/63  
D646,417 S \* 10/2011 Wauters ..... D26/63  
D650,504 S \* 12/2011 Kim et al. .... D26/63  
D654,607 S \* 2/2012 Kim et al. .... D26/63  
D666,349 S \* 8/2012 Sprengers ..... D26/85

**FOREIGN PATENT DOCUMENTS**

EM 001792243-0001 10/2010  
EM 001792284-0001 10/2010

\* cited by examiner

*Primary Examiner* — Brian N Vinson

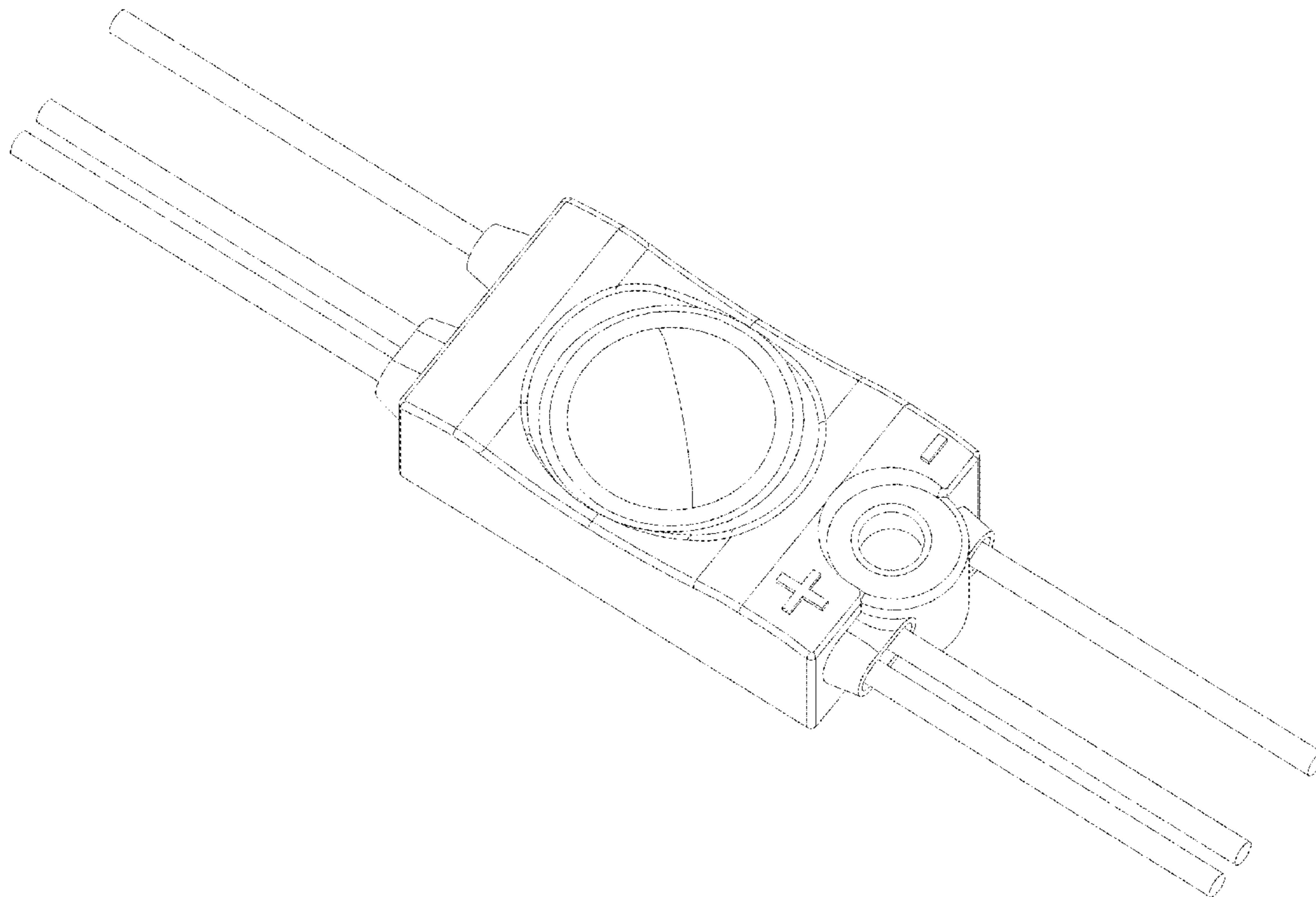
(57) **CLAIM**

The ornamental design for a lighting appliance, as shown and described.

**DESCRIPTION**

FIG. 1 is a perspective view of a lighting appliance showing our new design;  
FIG. 2 is a front elevational view thereof;  
FIG. 3 is a right side elevational view thereof;  
FIG. 4 is a top plan view thereof; and,  
FIG. 5 is a bottom plan view thereof.

**1 Claim, 5 Drawing Sheets**



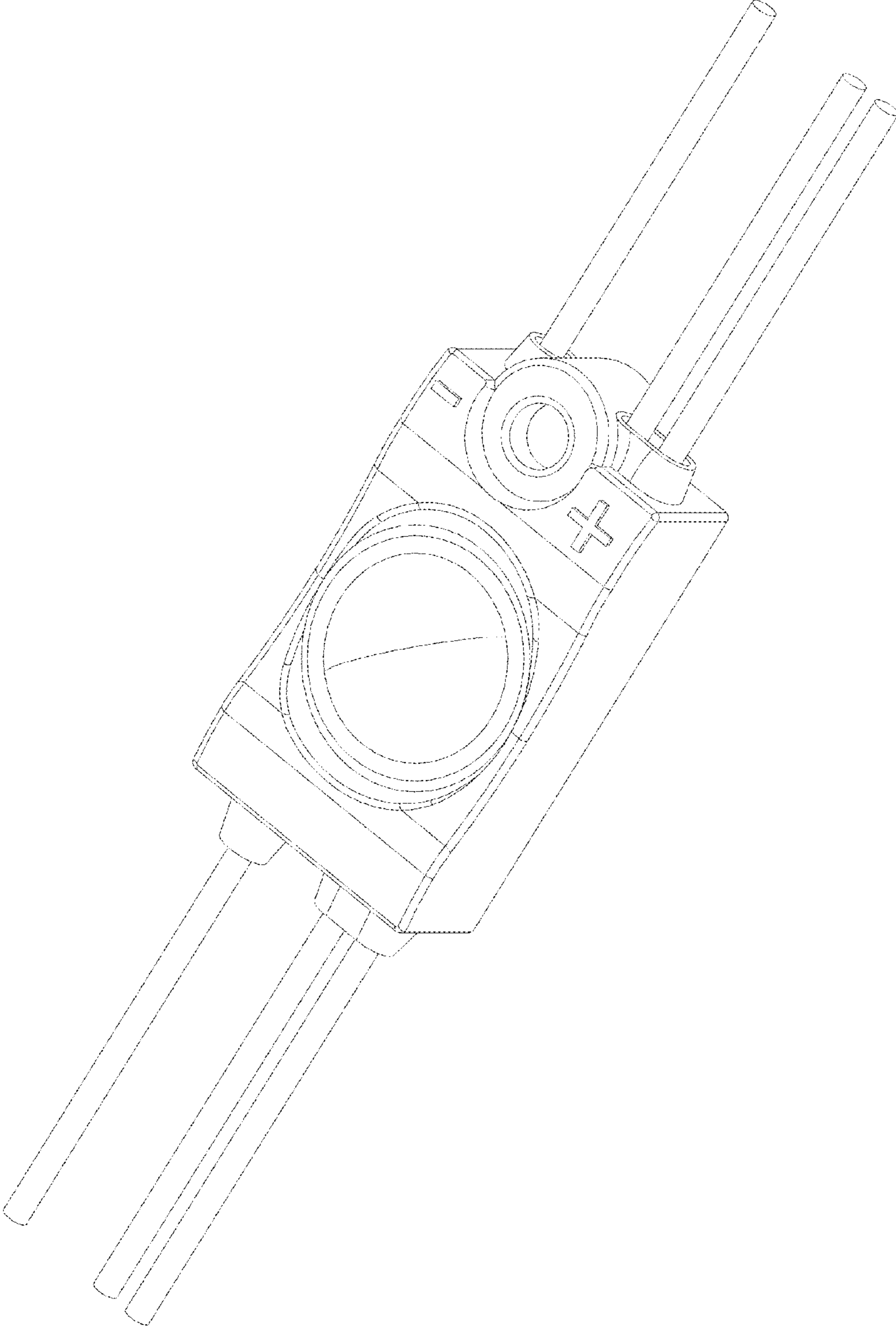


FIG. 1

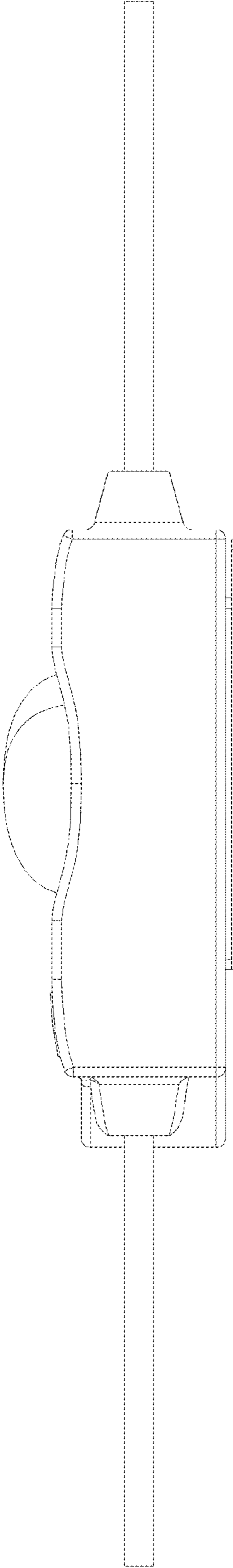


FIG. 2

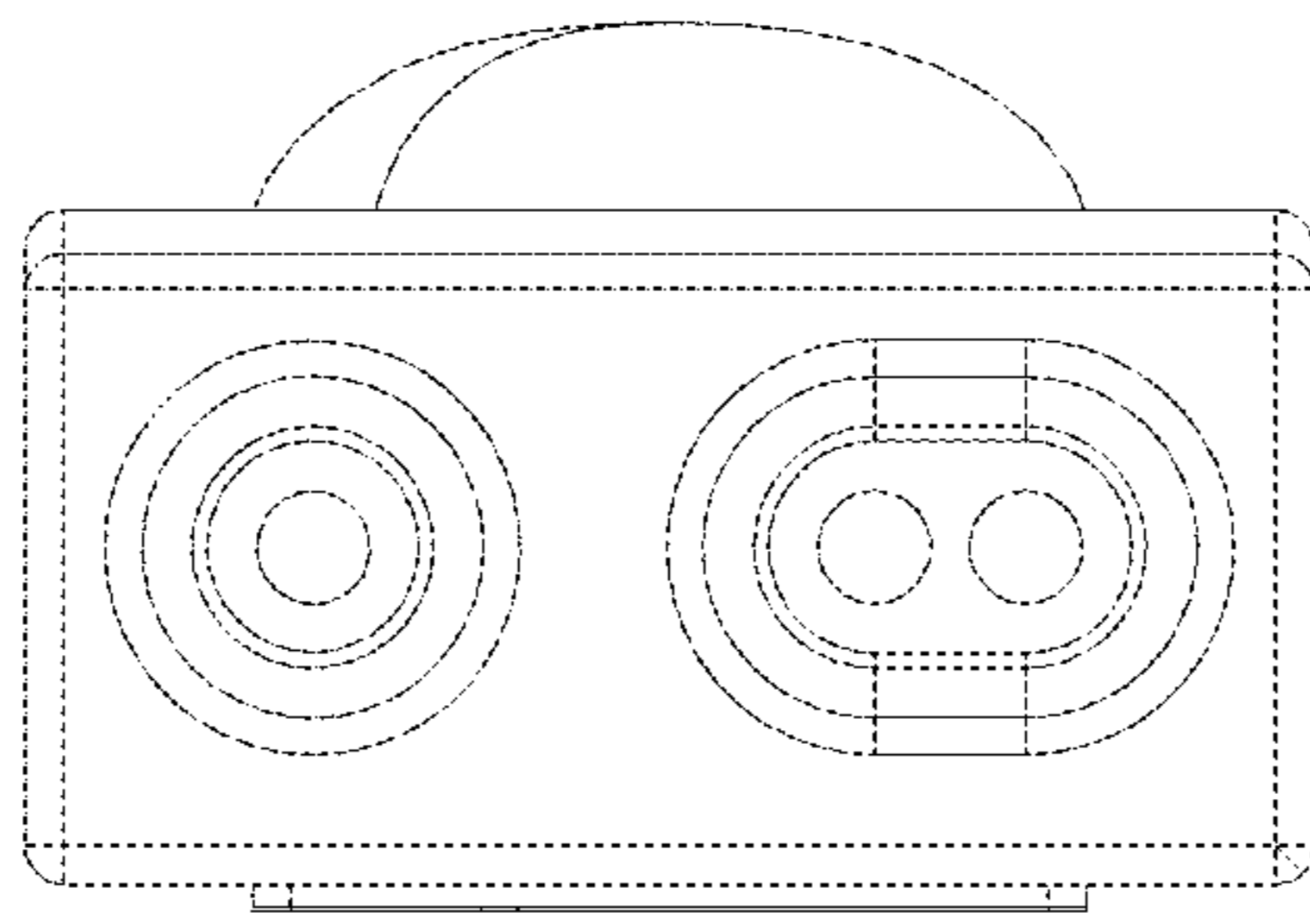


Fig. 3

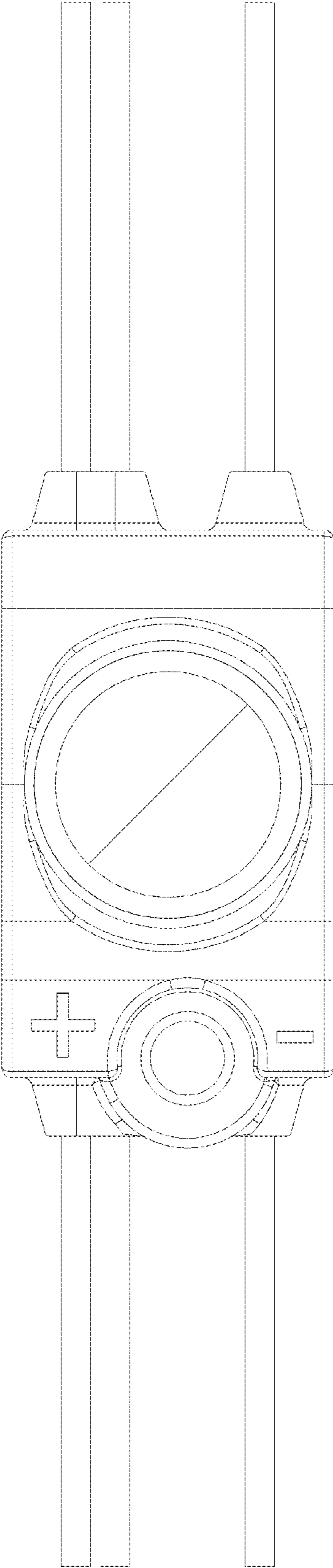


FIG. 4

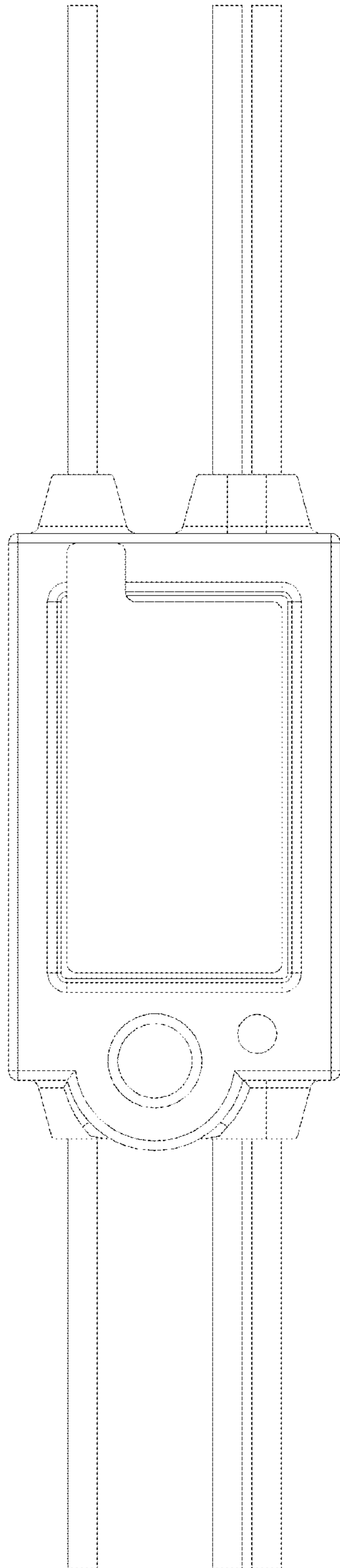


FIG. 5