



US00D697643S

(12) **United States Design Patent**
Rioux et al.

(10) **Patent No.:** **US D697,643 S**
(45) **Date of Patent:** **** Jan. 14, 2014**

(54) **LAMP**

(75) Inventors: **Phil Rioux**, Brentwood, NH (US);
Shiyong Zhang, Acton, MA (US);
Yichong Zeng, Chelmsford, MA (US)

(73) Assignee: **OSRAM SYLVANIA Inc.**, Danvers,
MA (US)

(**) Term: **14 Years**

(21) Appl. No.: **29/429,378**

(22) Filed: **Aug. 10, 2012**

(51) **LOC (10) Cl.** **26-04**

(52) **U.S. Cl.**
USPC **D26/2**

(58) **Field of Classification Search**
USPC D26/1-4; 313/313, 315, 316, 317, 318,
313/493; 315/52, 53, 56, 57, 58
See application file for complete search history.

(56) **References Cited**

U.S. PATENT DOCUMENTS

D610,722 S * 2/2010 Bi D26/2
D626,260 S * 10/2010 Wei D26/2

(Continued)

FOREIGN PATENT DOCUMENTS

EP 2256403 A2 12/2010
WO 2011029724 A1 3/2011

OTHER PUBLICATIONS

Brochure showing Osram Sylvania Ultra LED Narrow Beam PAR 38 Lamp, one design created by Shiyong Zhang, Yichong Zeng and Phil Rioux, exhibited May 7, 2012 at Las Vegas Light Fair Trade Show, Nevada, USA (1 page).
Applicants' pending Design U.S. Appl. No. 29/395,473, filed Jan. 27, 2012 naming inventors Phil Rioux, Shiyong Zhang and Yichong Zeng.

(Continued)

Primary Examiner — Marcus Jackson

(74) *Attorney, Agent, or Firm* — Edward S. Podszus

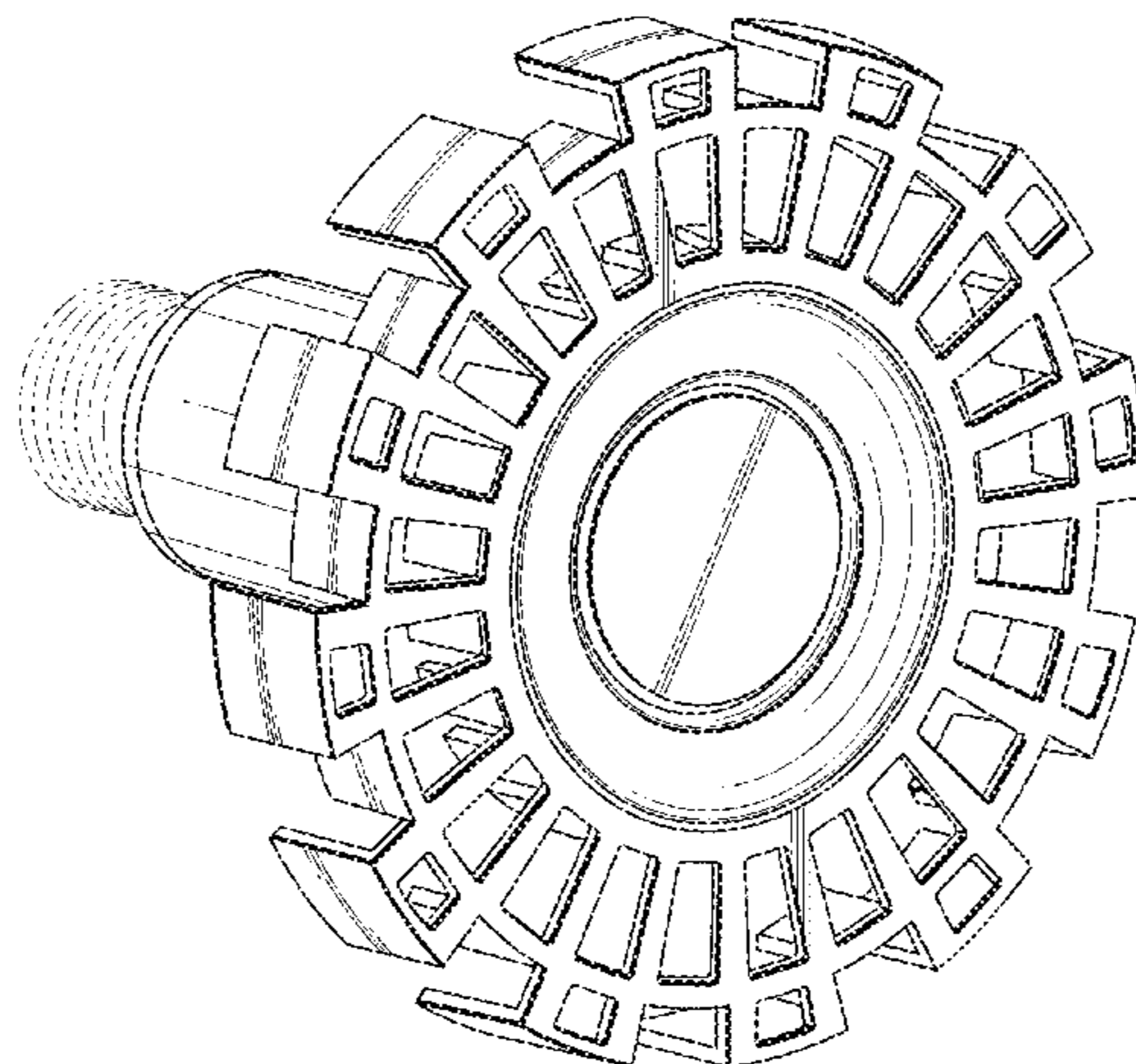
(57) **CLAIM**

The ornamental design for a lamp, as shown and described.

DESCRIPTION

FIG. 1 is a perspective view of the new design for a lamp as seen from the front, top;
FIG. 2 is a rear perspective view as seen from the rear, side thereof;
FIG. 3 is a side elevational view thereof;
FIG. 4 is a top plan view thereof; and
FIG. 5 is a rear plan view thereof.
FIG. 6 is a perspective view of the second embodiment of the new design for a lamp as seen from the front, top;
FIG. 7 is a rear perspective view of the second embodiment as seen from the rear, side thereof;
FIG. 8 is a side elevational view of the second embodiment;
FIG. 9 is a top plan view of the second embodiment; and
FIG. 10 is a rear plan view of the second embodiment.
FIG. 11 is a perspective view of the third embodiment of the new design for a lamp as seen from the front, top;
FIG. 12 is a rear perspective view of the third embodiment as seen from the rear, side thereof;
FIG. 13 is a side elevational view of the third embodiment;
FIG. 14 is a top plan view of the third embodiment; and
FIG. 15 is a rear plan view of the third embodiment.
FIG. 16 is a perspective view of the fourth embodiment of the new design for a lamp as seen from the front, top;
FIG. 17 is a rear perspective view of the fourth embodiment as seen from the rear, side thereof;
FIG. 18 is a side elevational view of the fourth embodiment;
FIG. 19 is a top plan view of the fourth embodiment; and
FIG. 20 is a rear plan view of the fourth embodiment.
The broken line disclosure is for environmental purposes only and does not form a part of the claimed design.

1 Claim, 20 Drawing Sheets



(56)

References Cited

U.S. PATENT DOCUMENTS

D628,319 S * 11/2010 Yoshinobu et al. D26/2
D629,129 S * 12/2010 Lin et al. D26/2
D630,347 S * 1/2011 Pei et al. D26/2
D683,867 S * 6/2013 Rioux et al. D26/2
D689,631 S * 9/2013 Zhang et al. D26/2
2010/0133578 A1 6/2010 Pickard et al.

OTHER PUBLICATIONS

Applicants' pending Design U.S. Appl. No. 29/395,476, filed Jan. 27, 2012 naming inventors Shiyong Zhang and Yichong Zeng.

Applicants' pending Design U.S. Appl. No. 29/427,553, filed Jul. 19, 2012 naming inventors Phil Rioux, Shiyong Zhang and Yichong Zeng.

* cited by examiner

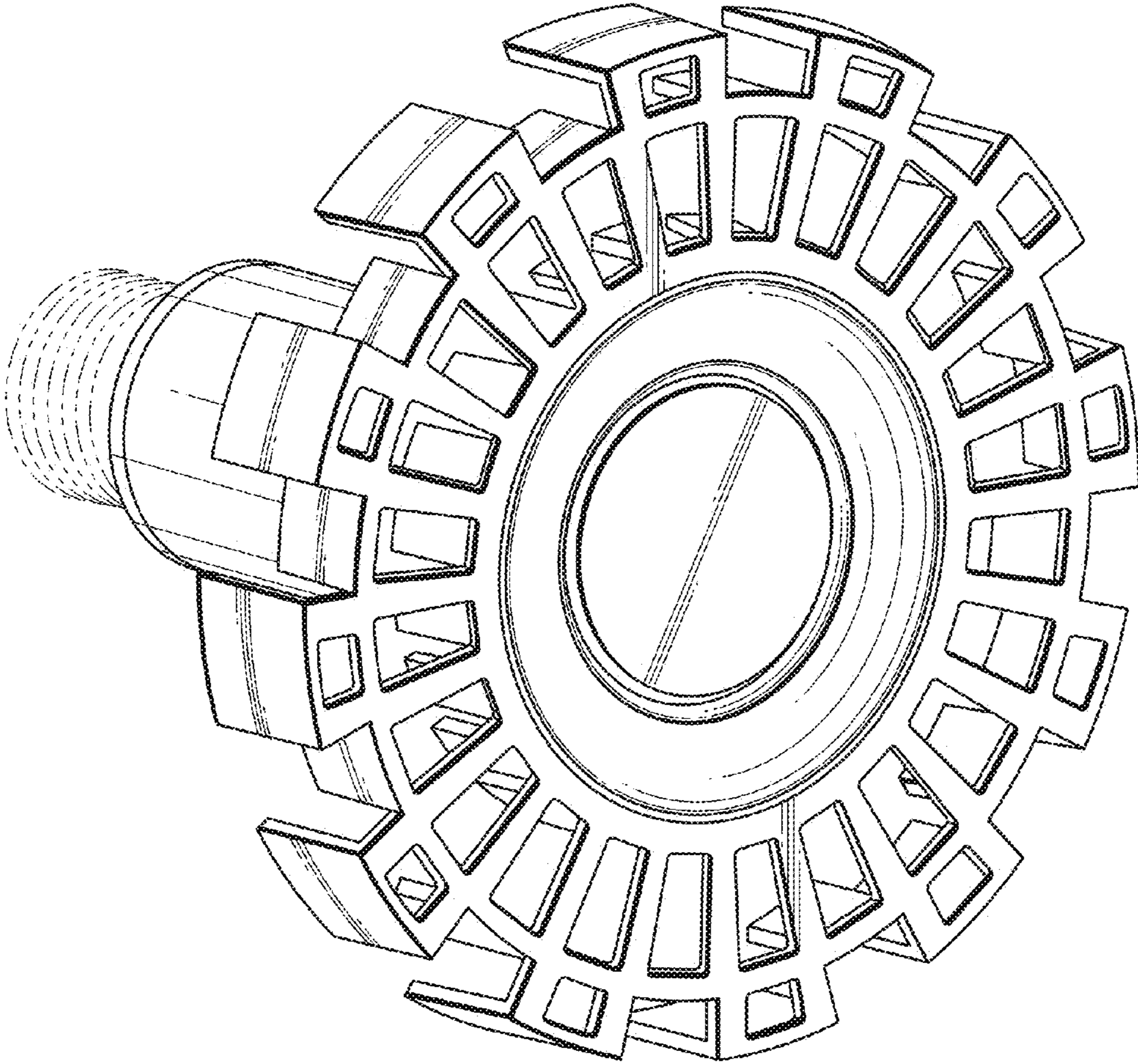


FIG. 1

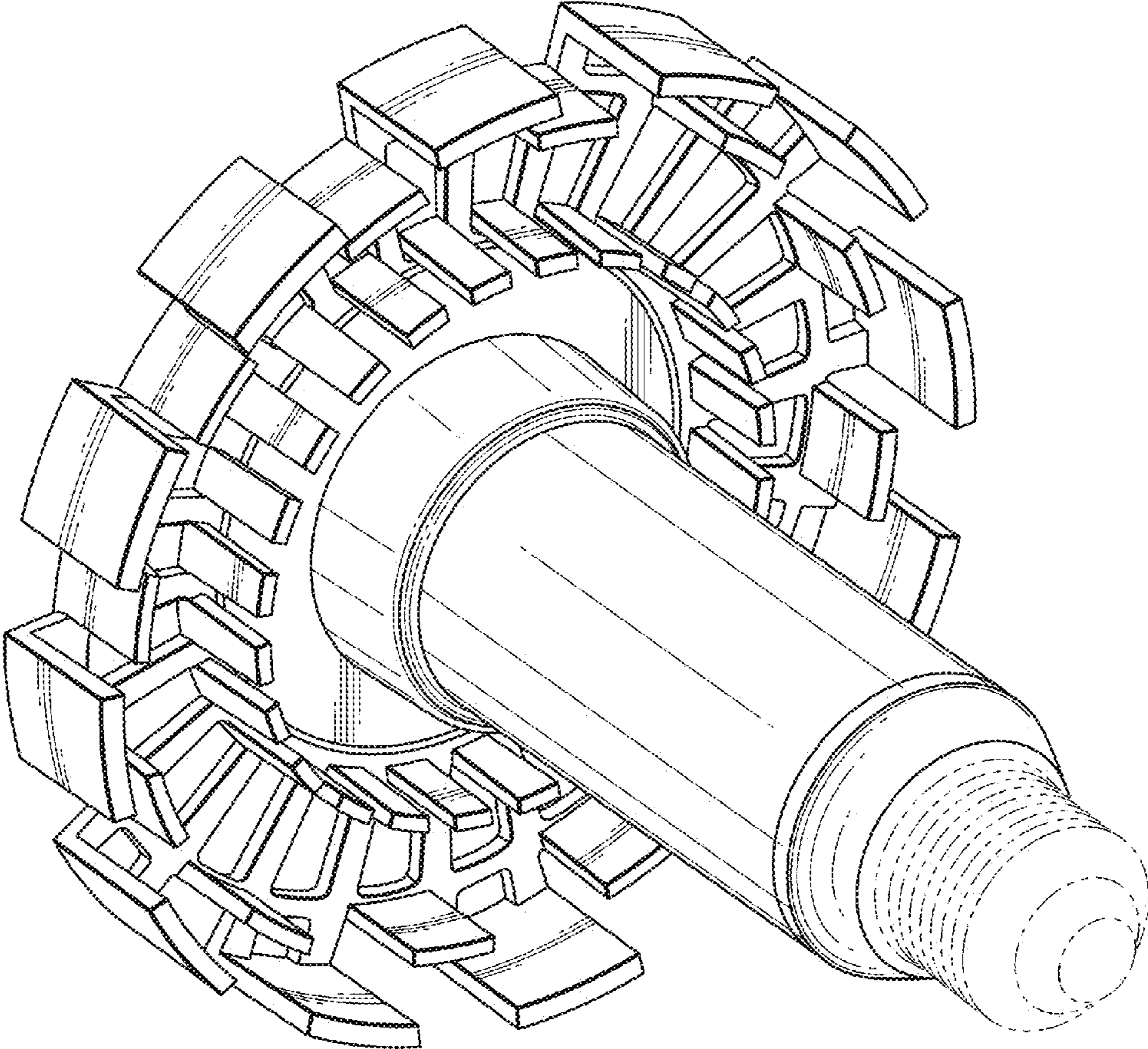


FIG. 2

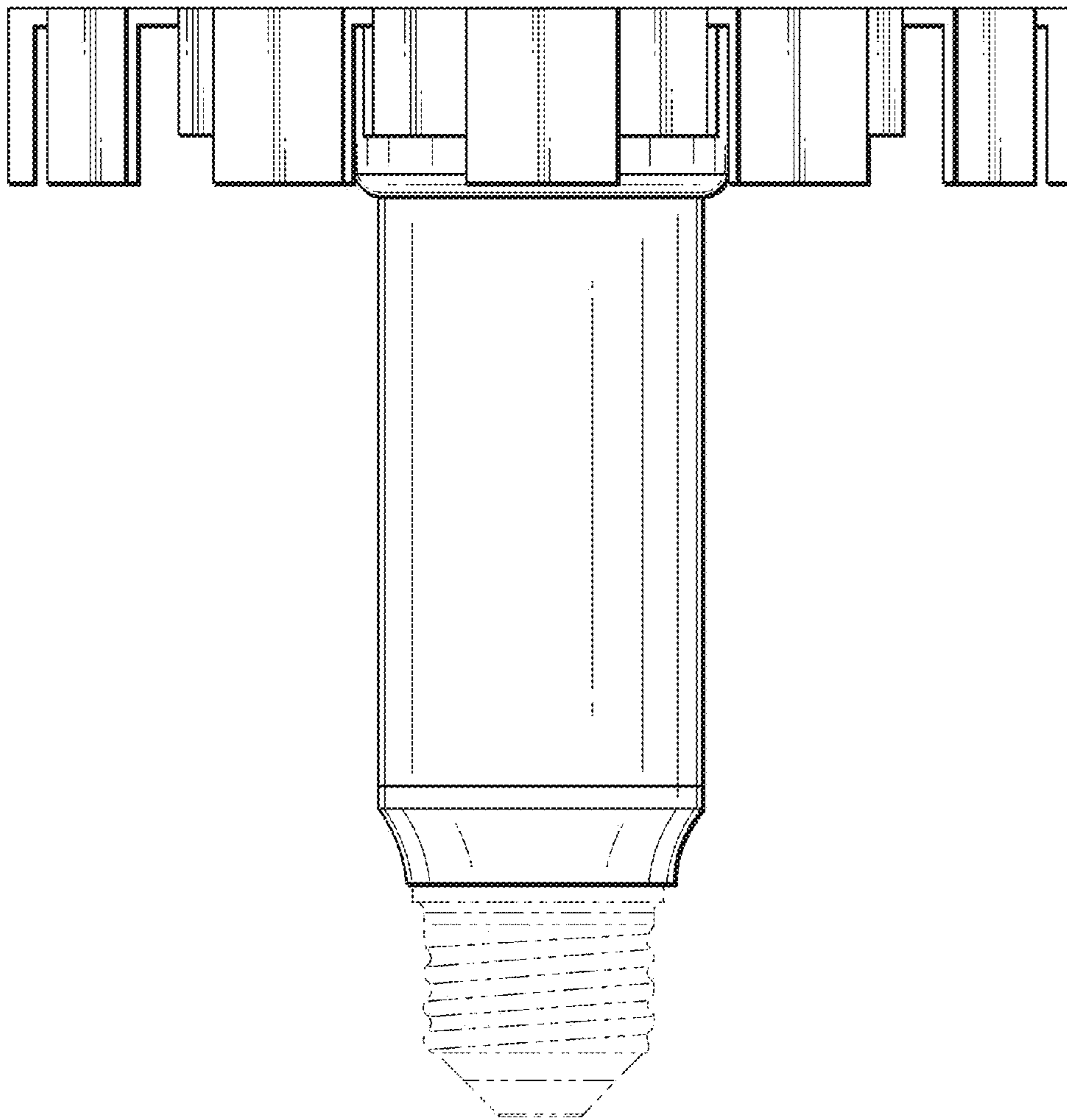


FIG. 3

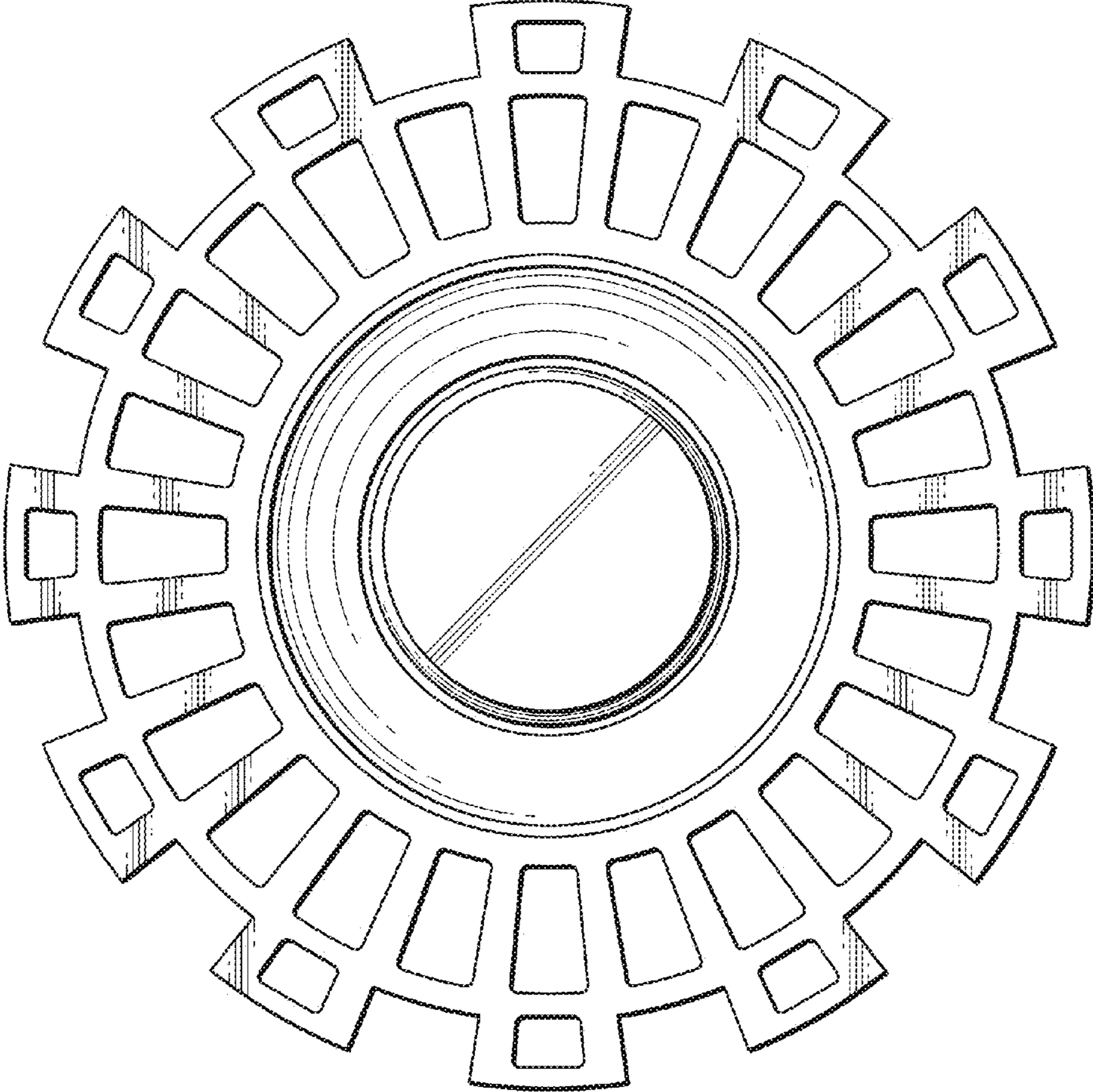


FIG. 4

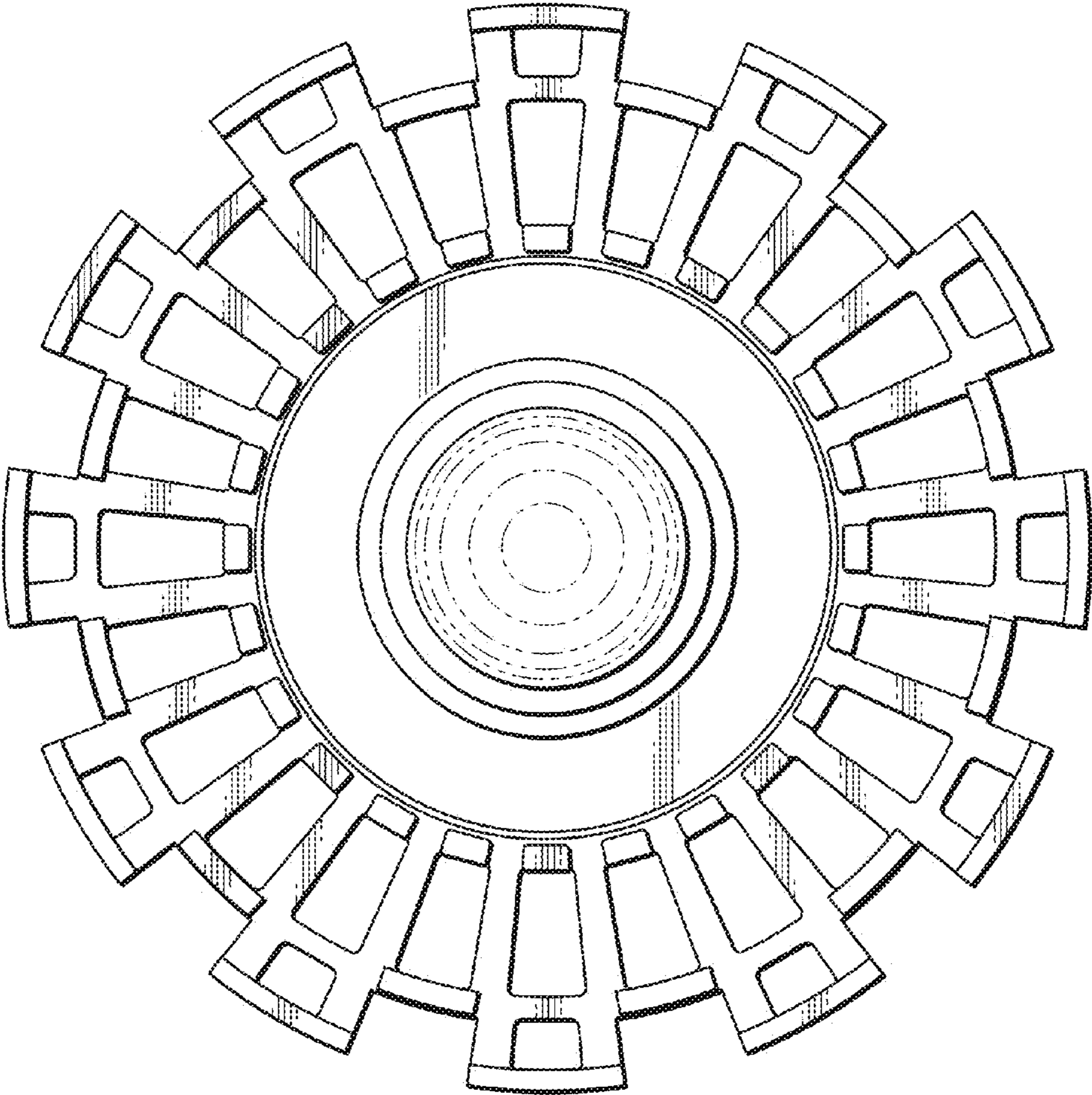


FIG. 5

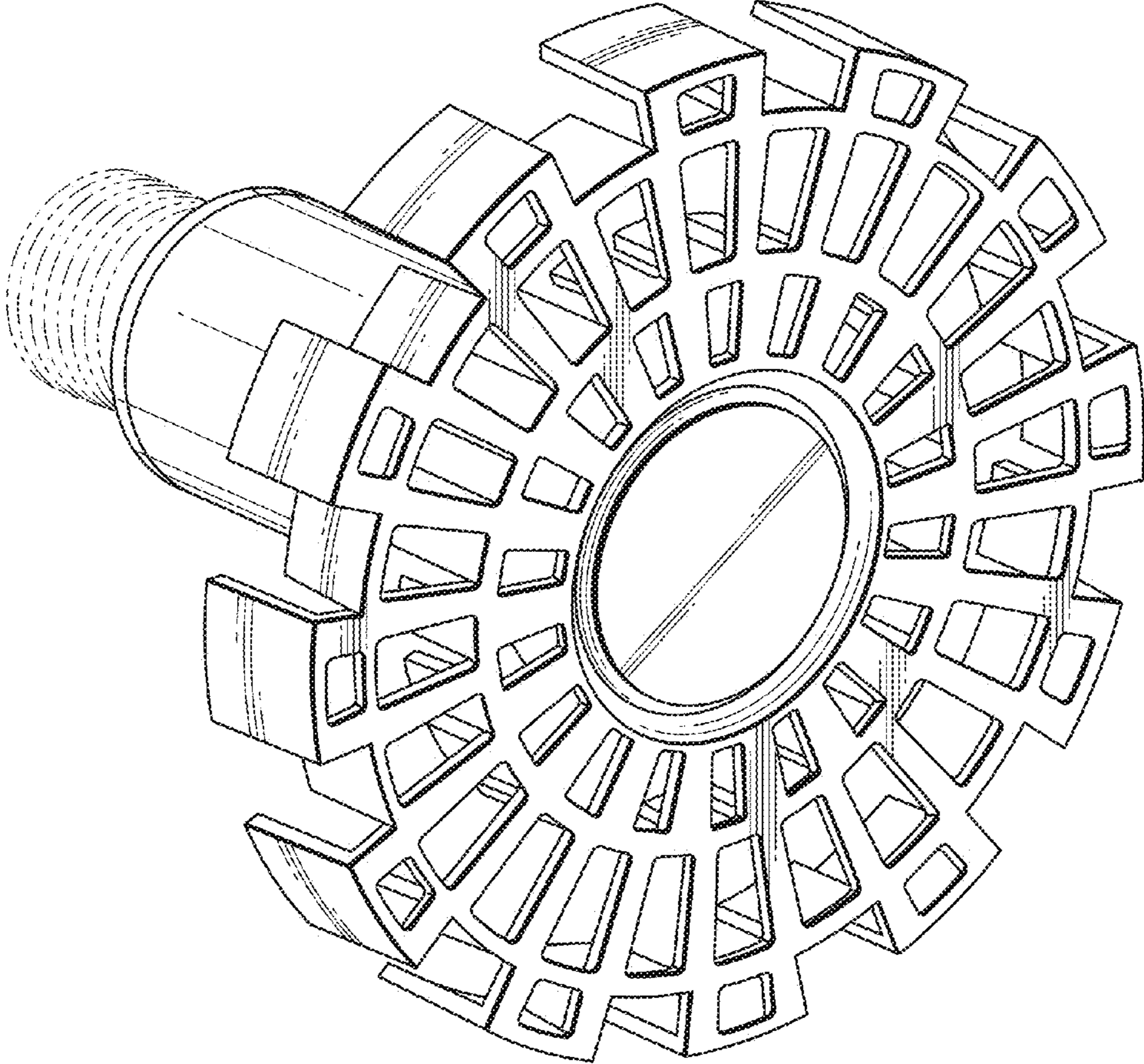


FIG. 6

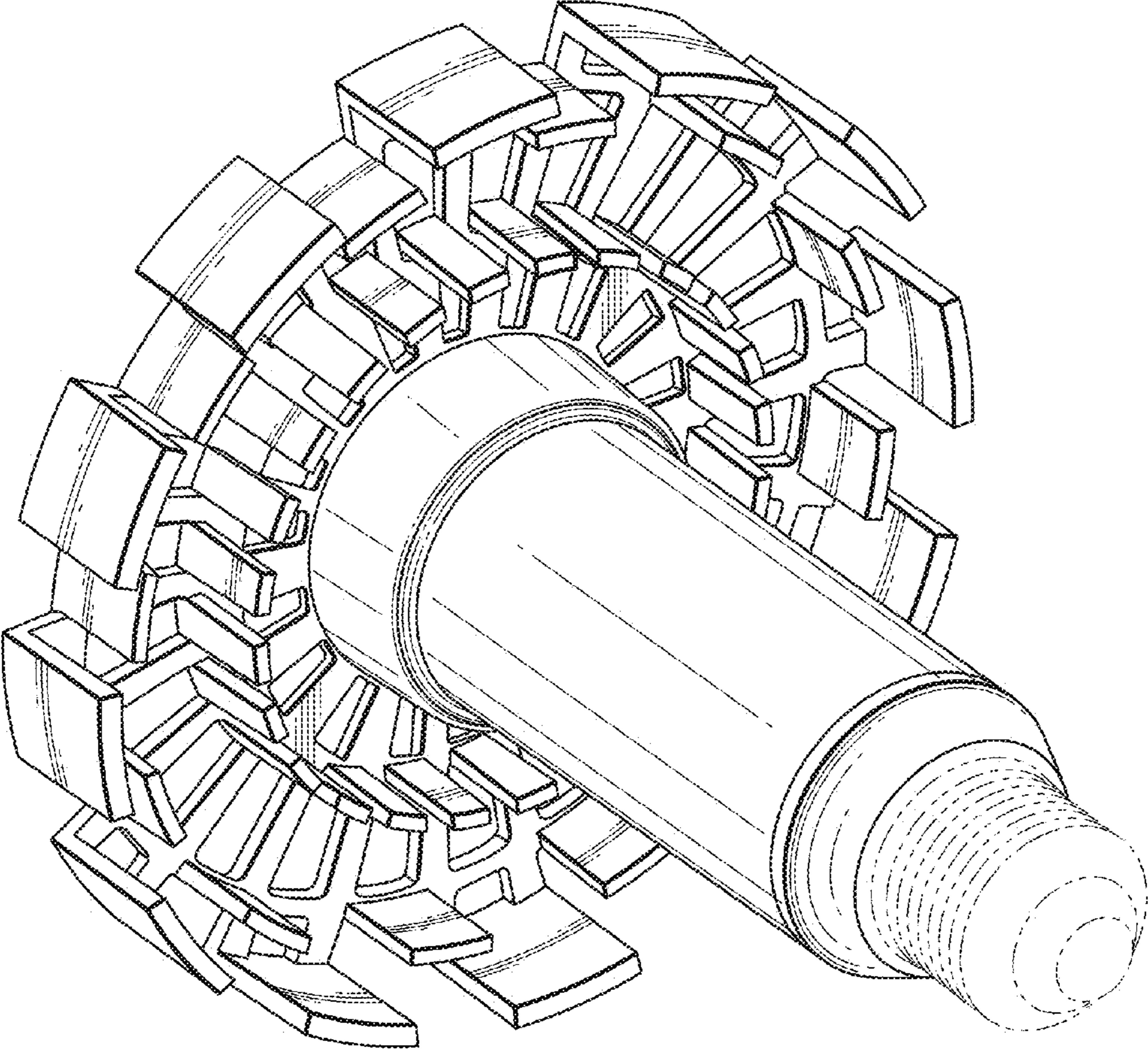


FIG. 7

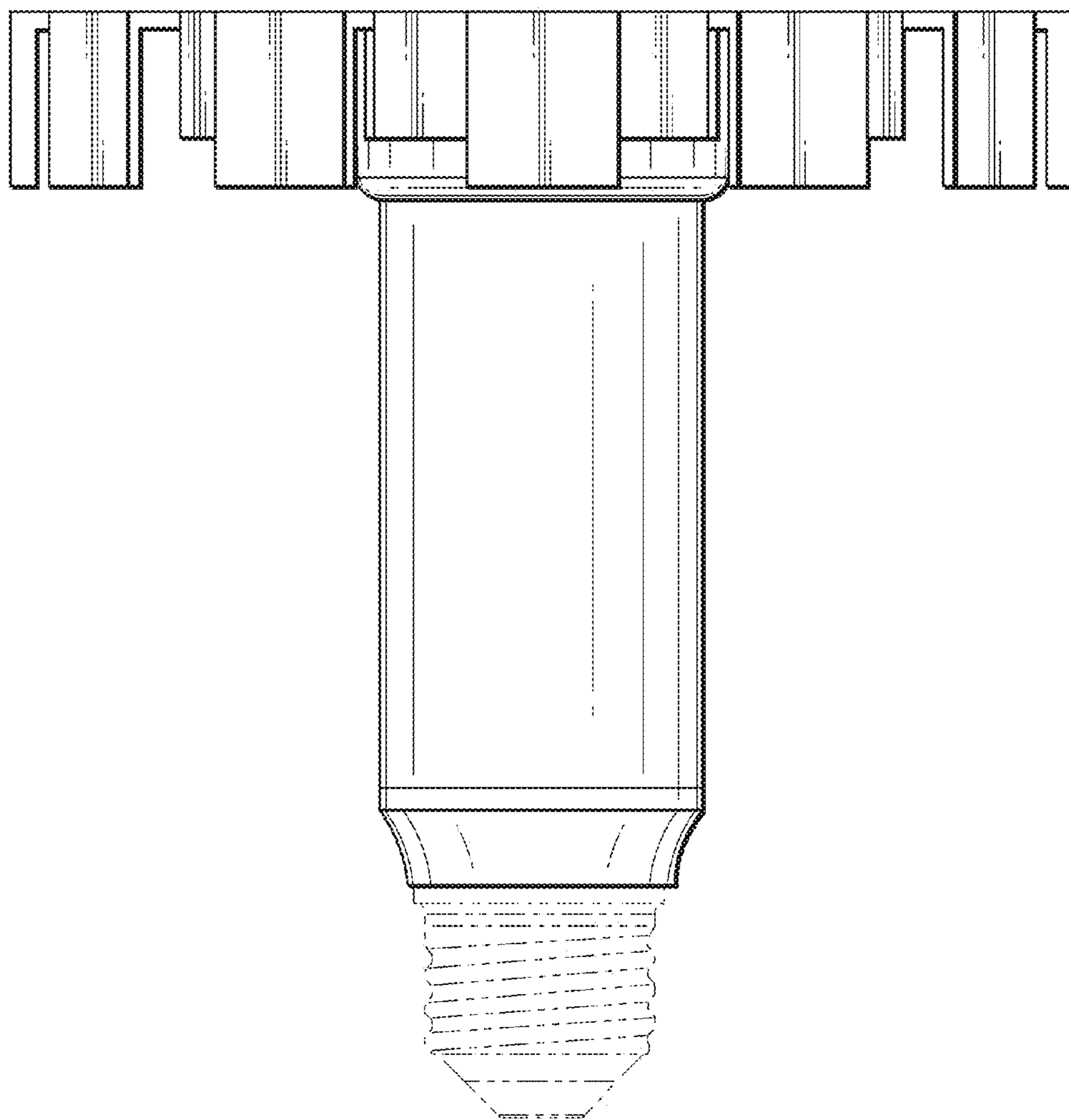


FIG. 8

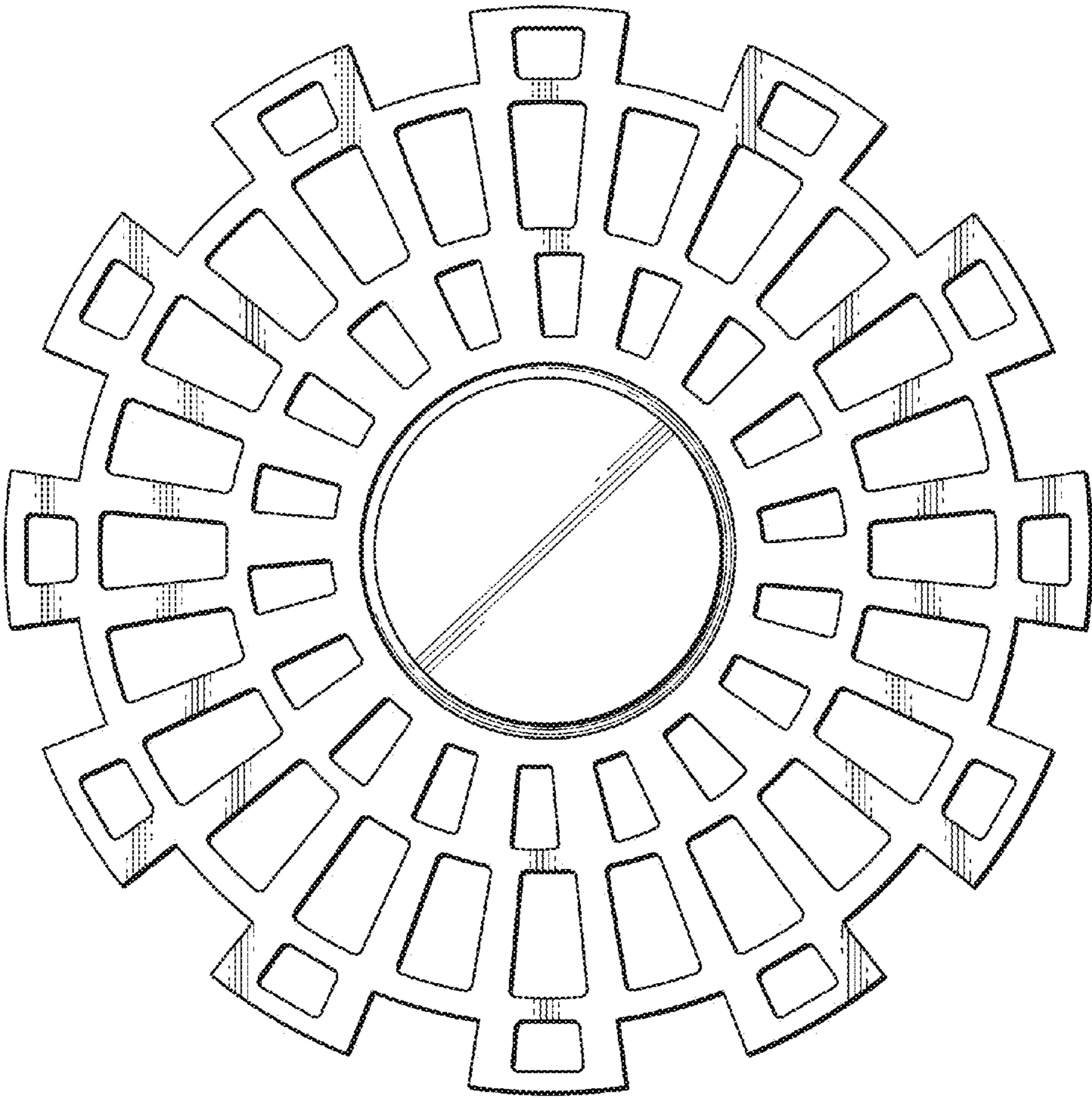


FIG. 9

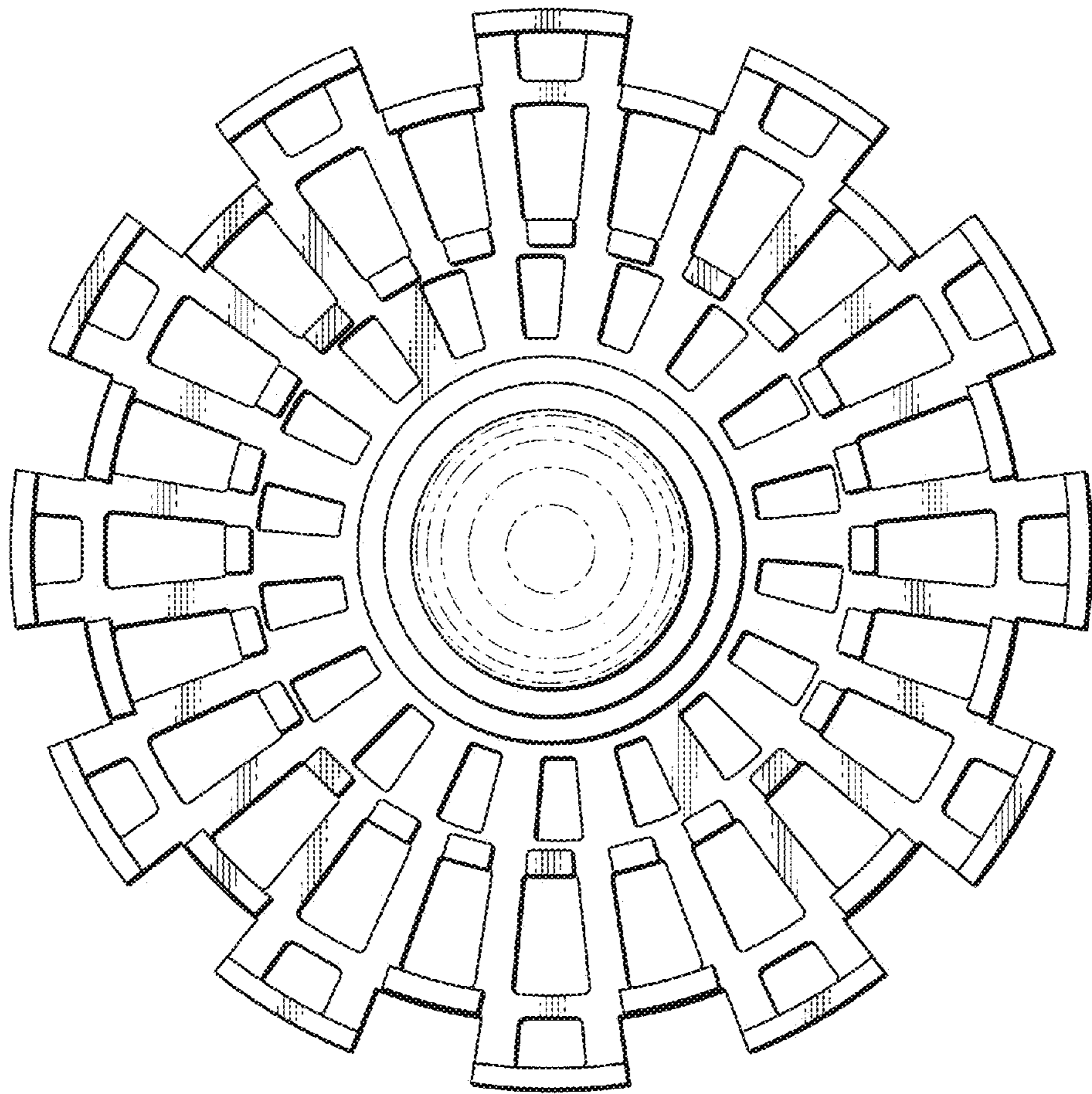


FIG. 10

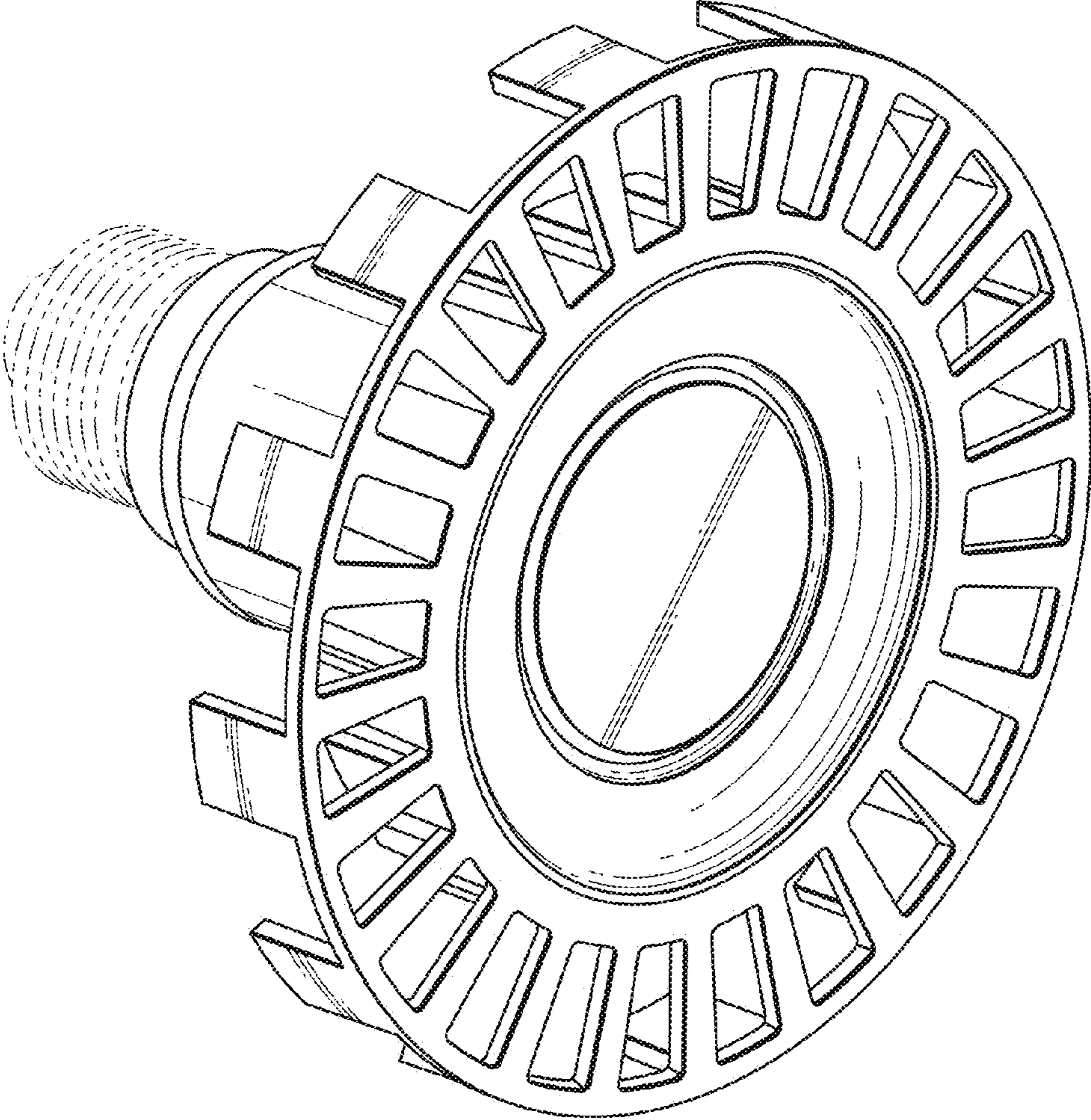


FIG. 11

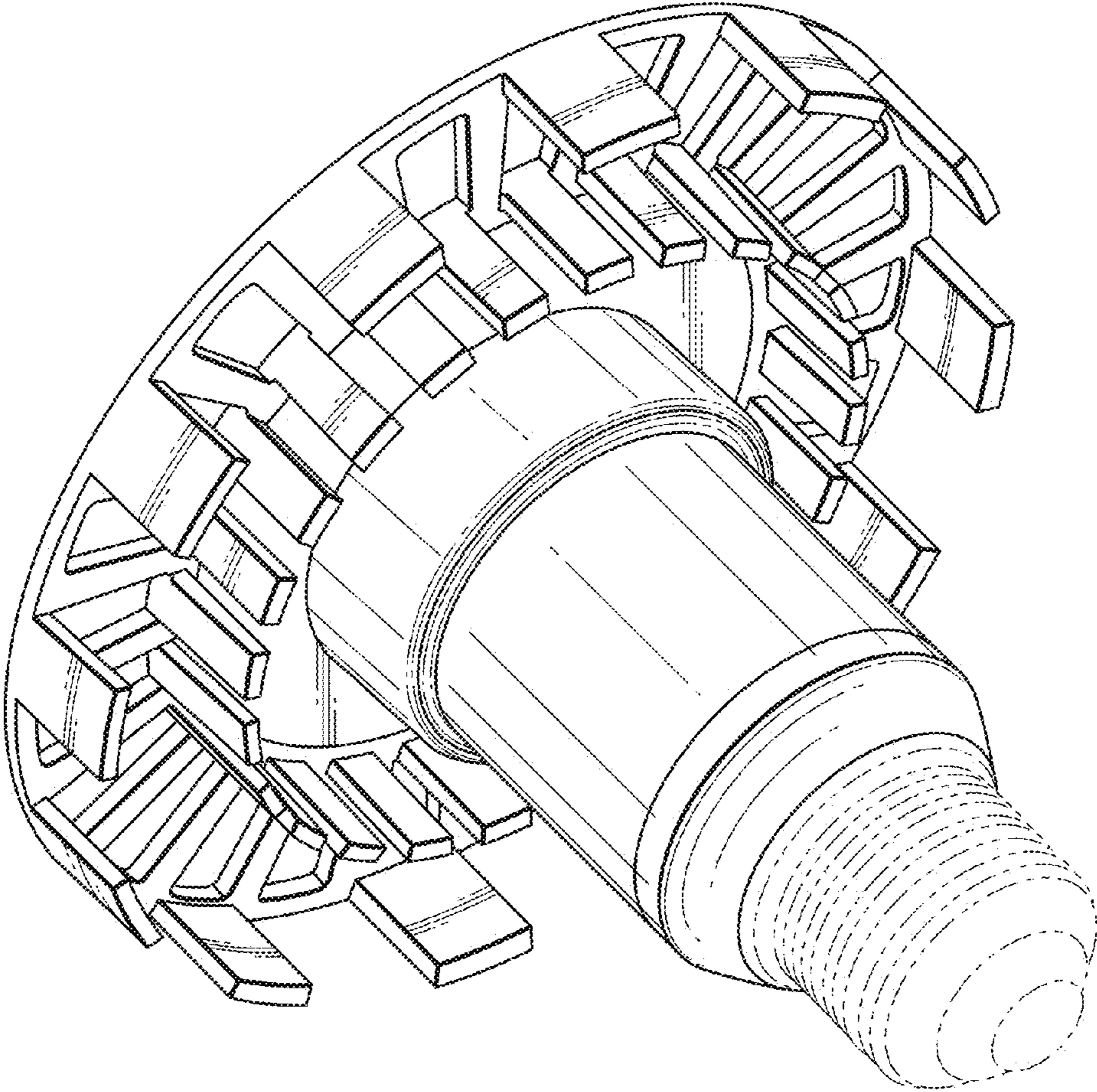


FIG. 12

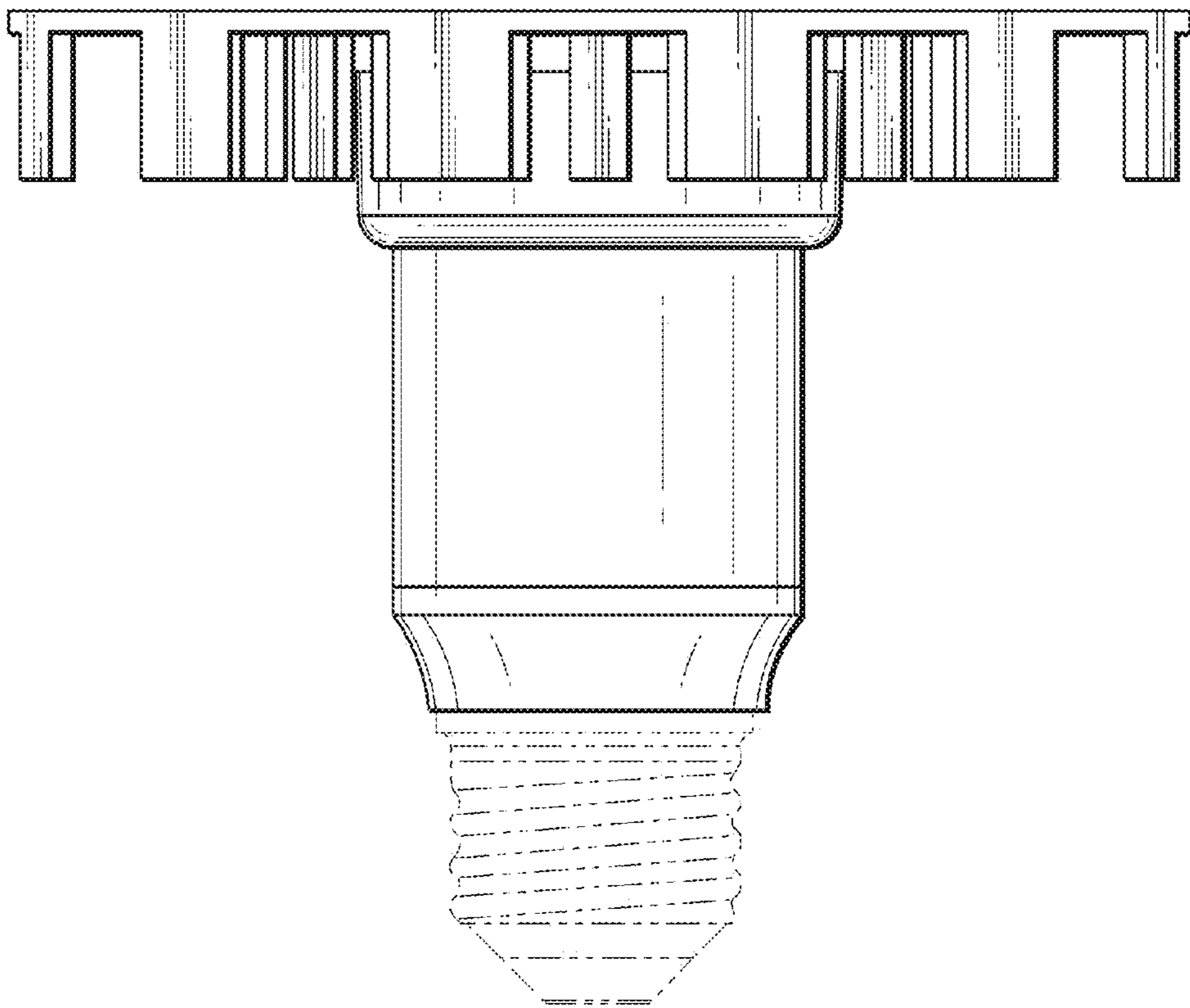


FIG. 13

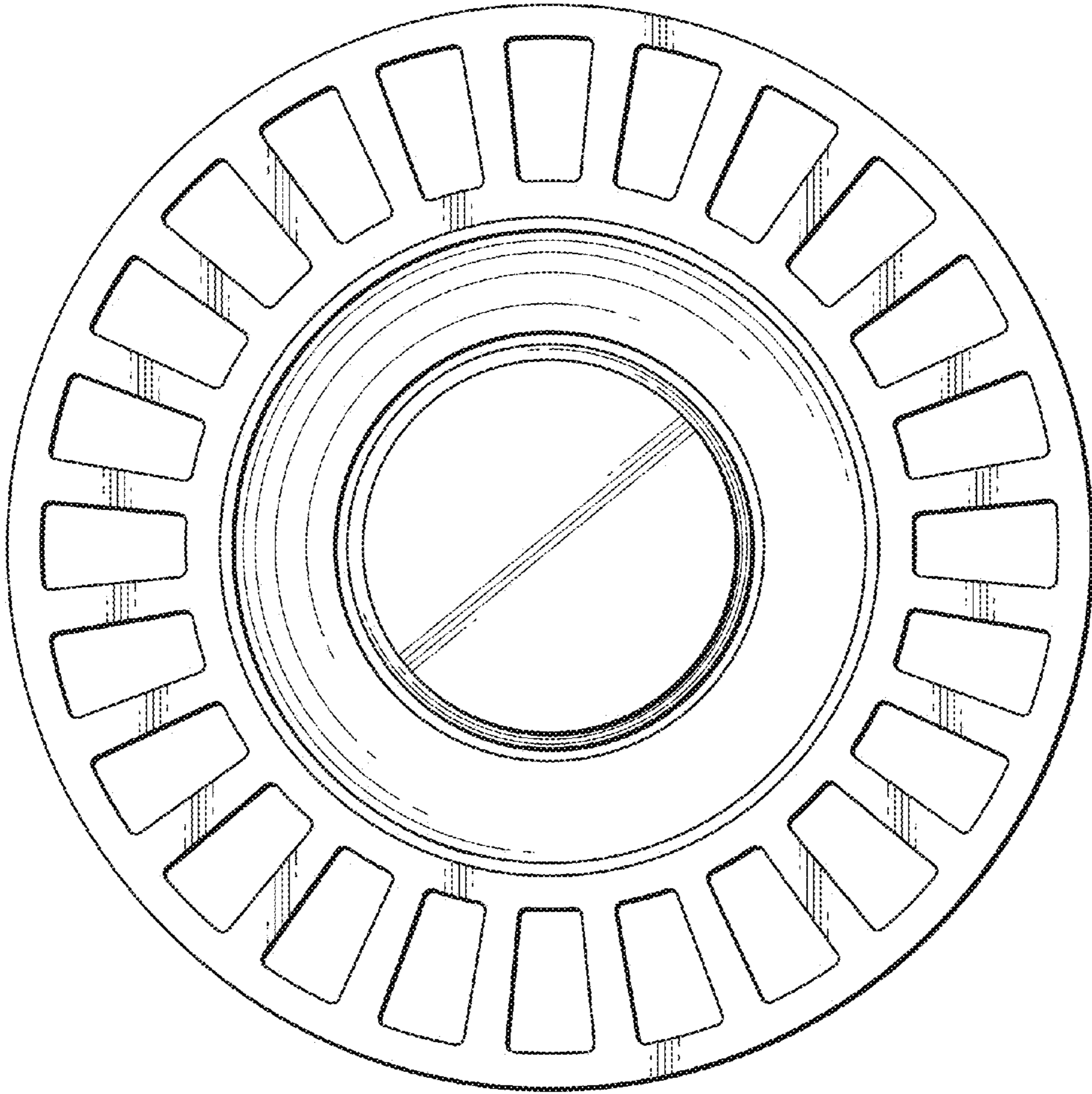


FIG. 14

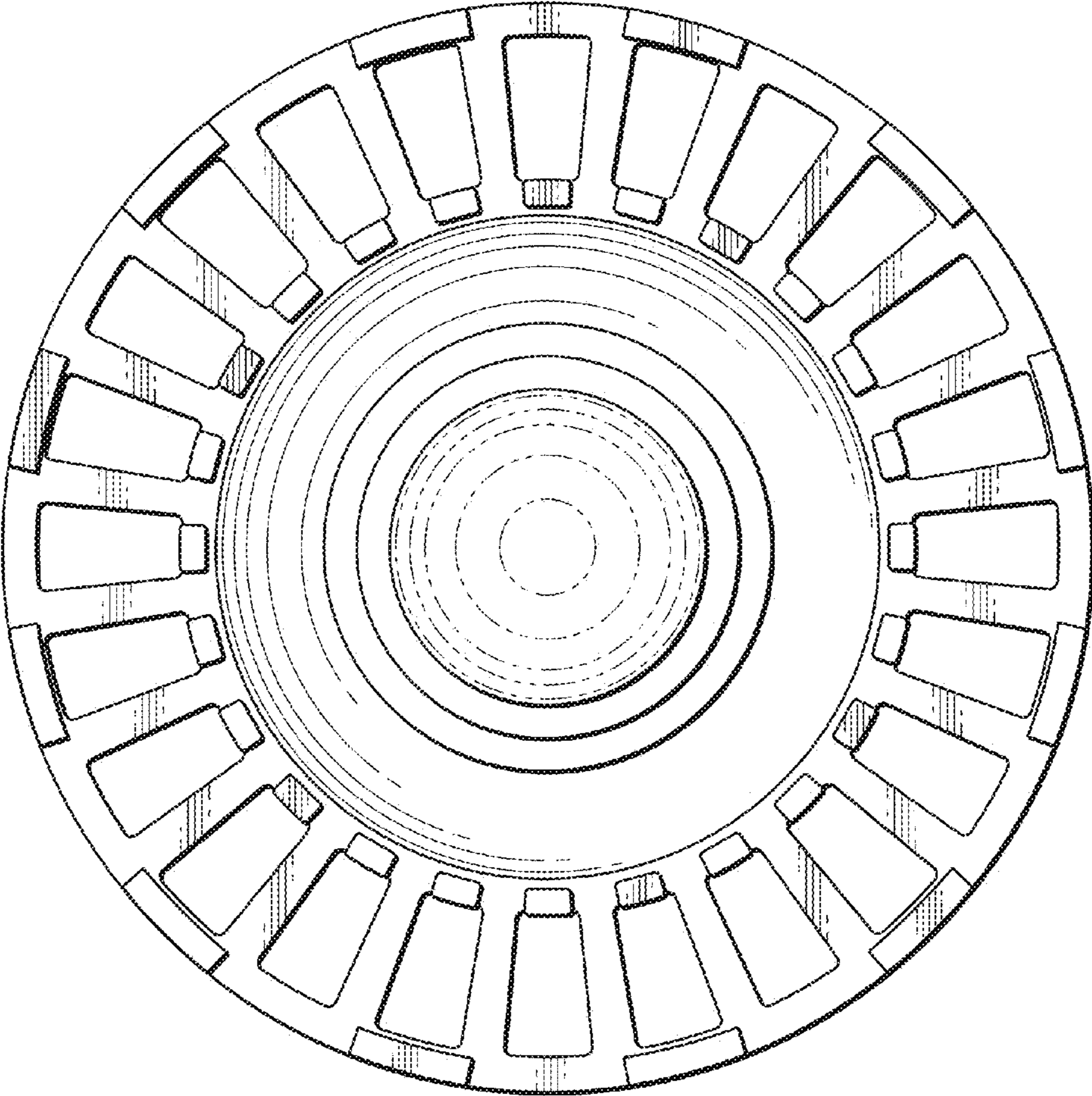


FIG. 15

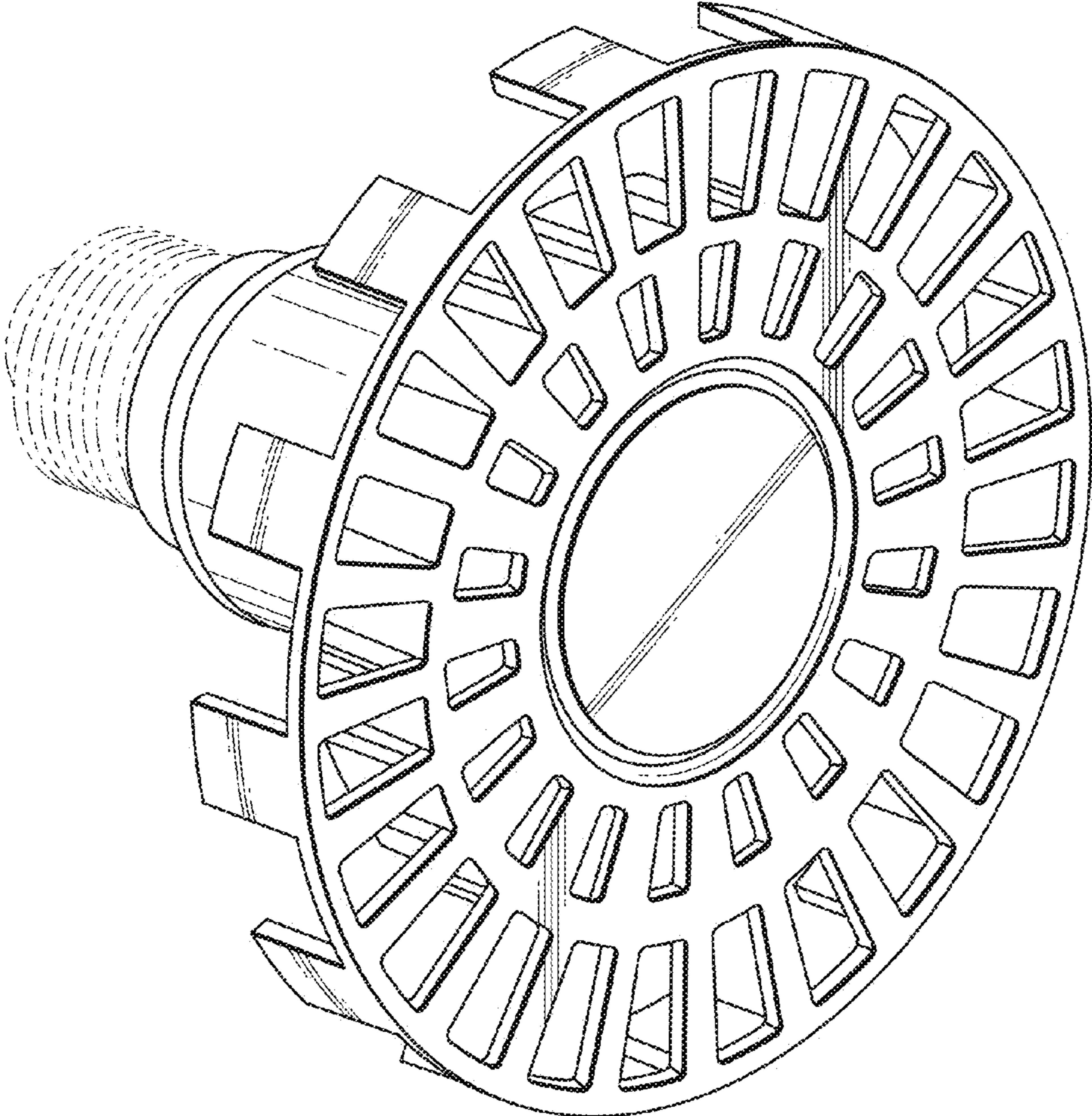


FIG. 16

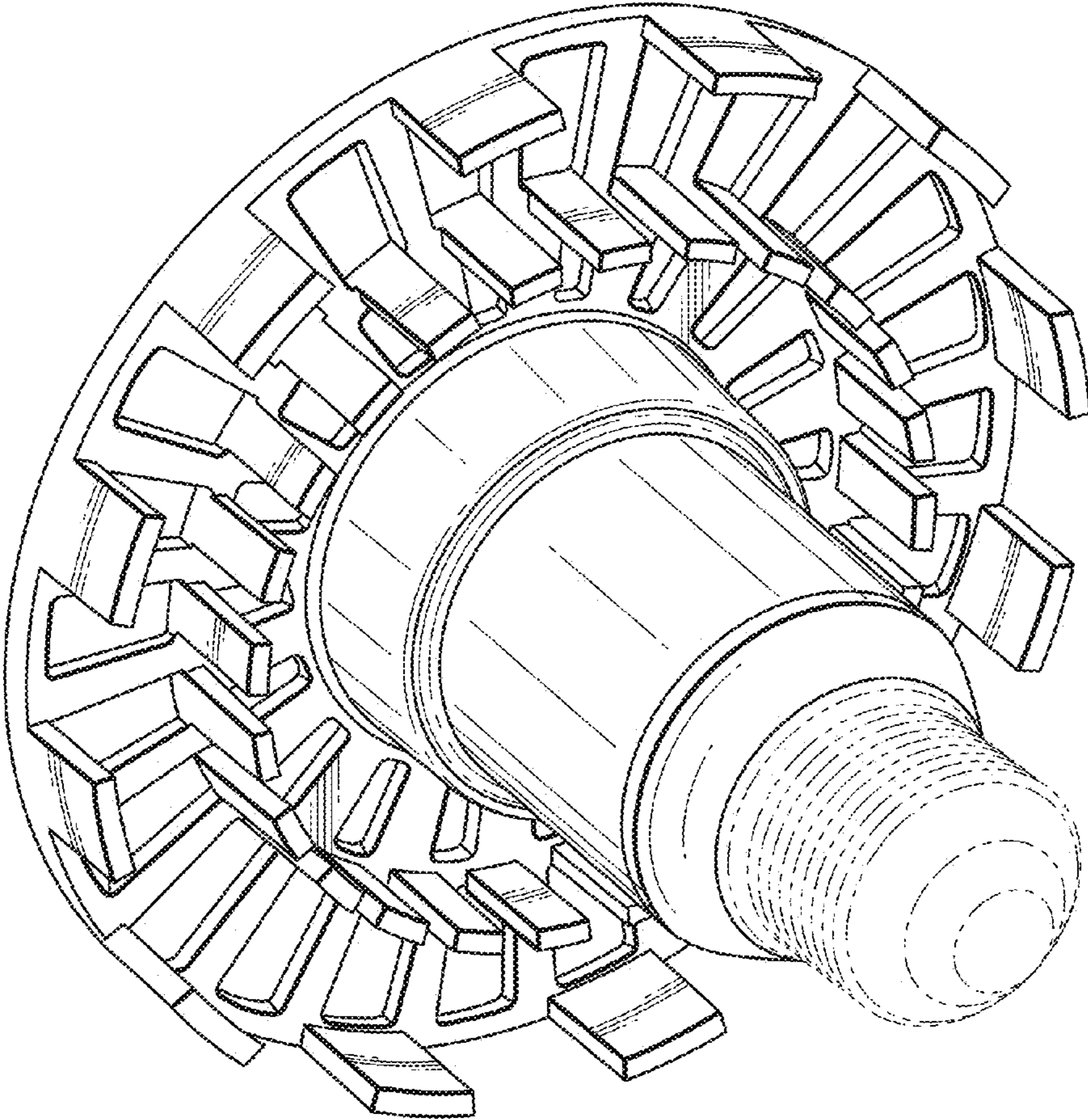


FIG. 17

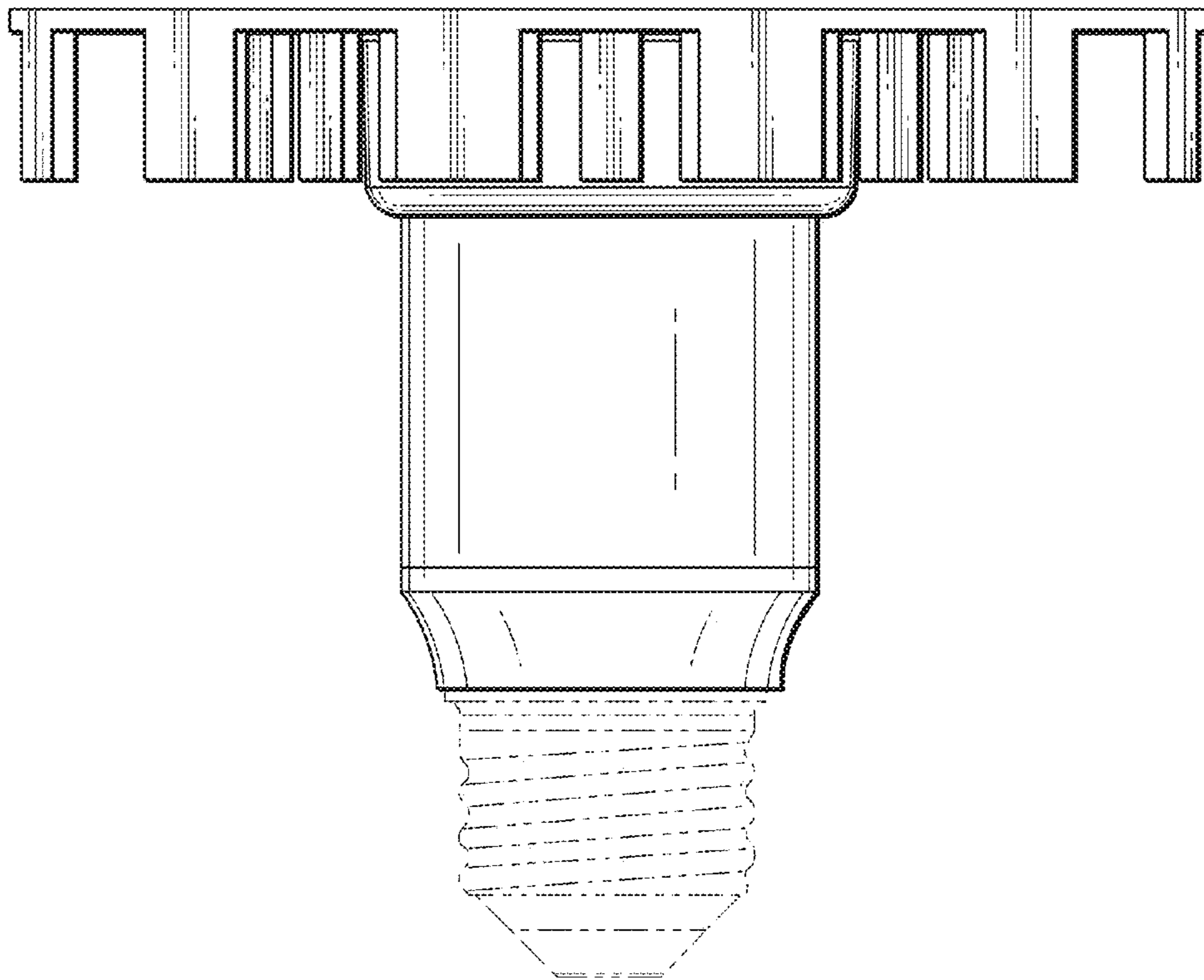


FIG. 18

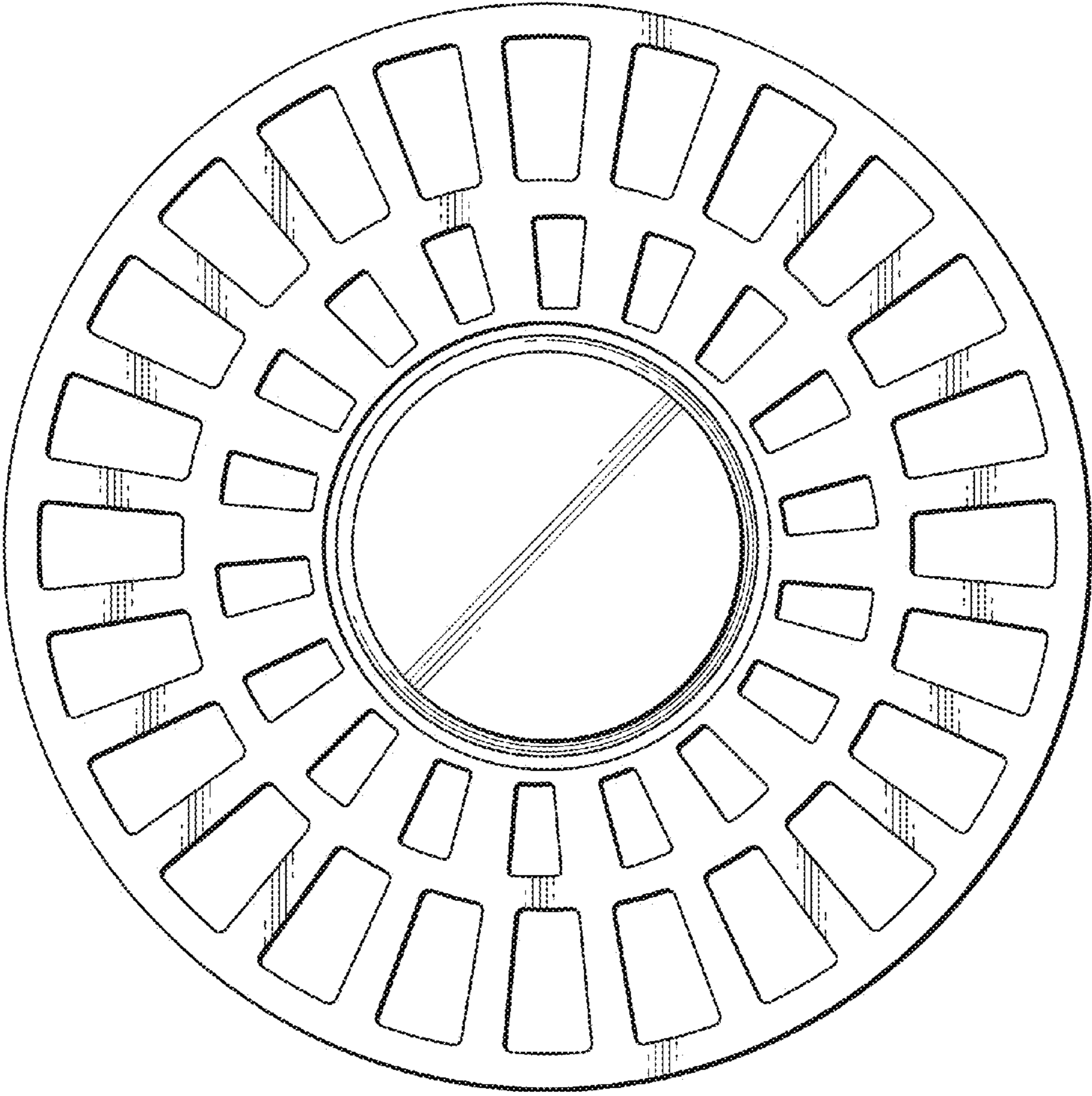


FIG. 19

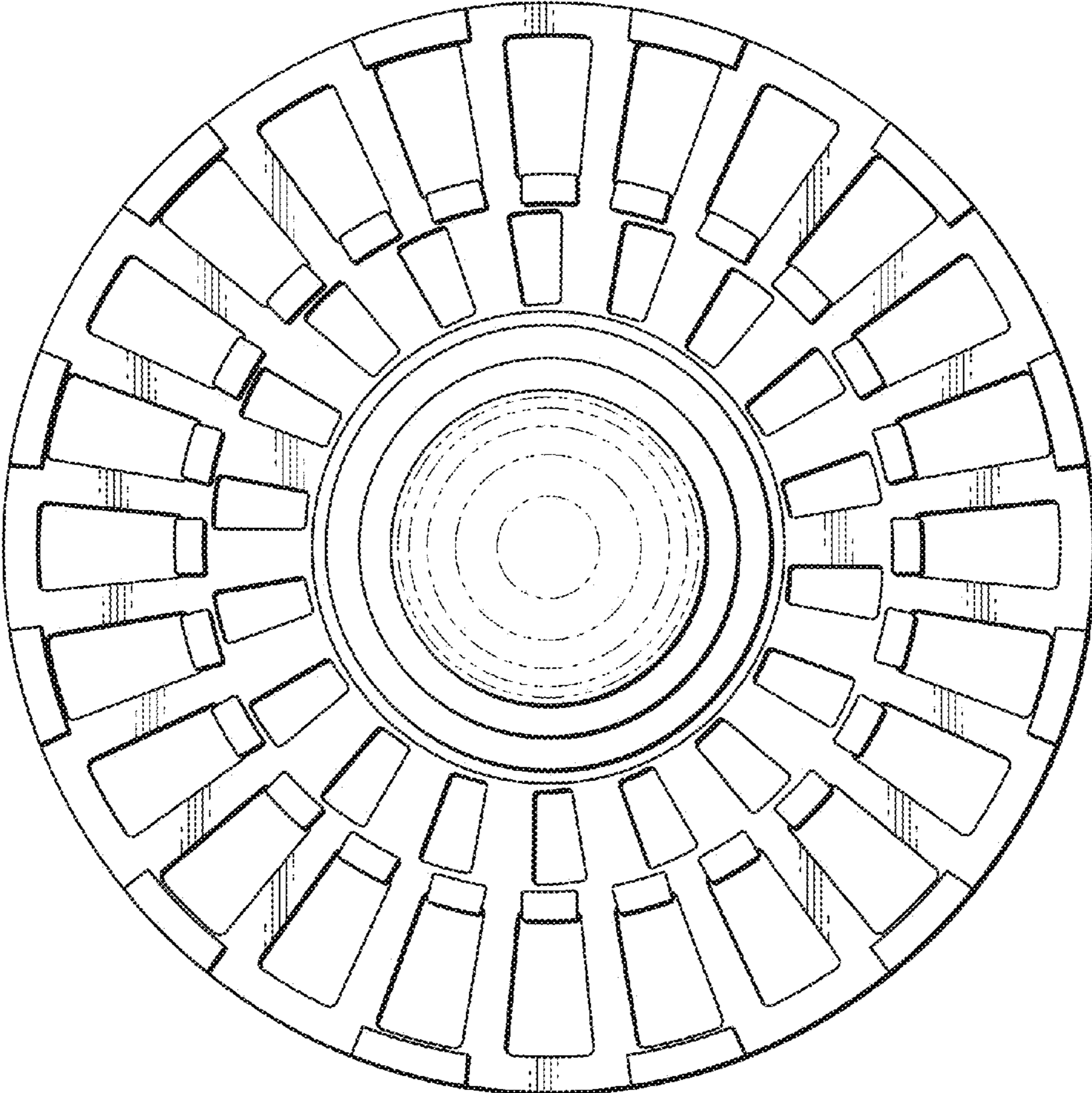


FIG. 20