



US00D697642S

(12) **United States Design Patent**  
**Amari et al.**

(10) **Patent No.:** **US D697,642 S**  
(45) **Date of Patent:** **\*\* Jan. 14, 2014**

(54) **LIGHT EMITTING DIODE**

(75) Inventors: **Koichi Amari**, Anan (JP); **Tatsuya Yanamoto**, Anan (JP); **Yuichi Okada**, Tokushima (JP); **Takayuki Motoyanagi**, Fukushima (JP)

(73) Assignees: **Nichia Corporation**, Tokushima (JP); **Asahi Rubber Inc.**, Saitama (JP)

(\*\*) Term: **14 Years**

(21) Appl. No.: **29/419,170**

(22) Filed: **Apr. 25, 2012**

(30) **Foreign Application Priority Data**

Oct. 26, 2011 (JP) ..... 2011-024612  
Oct. 26, 2011 (JP) ..... 2011-024613

(51) **LOC (10) Cl.** ..... **26-04**

(52) **U.S. Cl.**  
USPC ..... **D26/1; D13/180**

(58) **Field of Classification Search**  
USPC ..... D13/180; D26/1; 257/79–81, 88–89,  
257/93–95; 313/483, 498  
See application file for complete search history.

(56) **References Cited**

**U.S. PATENT DOCUMENTS**

D499,075 S \* 11/2004 Yoon et al. .... D13/180  
D586,764 S \* 2/2009 Uemoto et al. .... D13/180  
D597,502 S \* 8/2009 Ogata et al. .... D13/180  
D629,767 S \* 12/2010 Shimizu et al. .... D13/180

\* cited by examiner

*Primary Examiner* — Marcus Jackson

(74) *Attorney, Agent, or Firm* — Foley & Lardner LLP

(57) **CLAIM**

We claim the ornamental design for a light emitting diode, as shown and described.

**DESCRIPTION**

FIG. 1 is a front, top, right side perspective view of a first embodiment of the light emitting diode according to our new design;

FIG. 2 is a rear, bottom, left side perspective view thereof;

FIG. 3 is a front elevational view thereof;

FIG. 4 is a rear elevational view thereof;

FIG. 5 is a top plan view thereof;

FIG. 6 is a bottom plan view thereof;

FIG. 7 is a right side elevational view thereof;

FIG. 8 is a left side elevational view thereof; and

FIG. 9 is a sectional view of a translucent material thereof, showing the plane taken along line 9-9 of FIG. 5.

FIG. 10 is a front, top, right side perspective view of a second embodiment of the light emitting diode according to our new design;

FIG. 11 is a rear, bottom, left side perspective view thereof;

FIG. 12 is a front elevational view thereof;

FIG. 13 is a rear elevational view thereof;

FIG. 14 is a top plan view thereof;

FIG. 15 is a bottom plan view thereof;

FIG. 16 is a right side elevational view thereof;

FIG. 17 is a left side elevational view thereof; and

FIG. 18 is a sectional view of a translucent material thereof, showing the plane taken along line 18-18 of FIG. 14.

The ornamental design which is claimed is shown in solid lines in the drawings.

The broken lines in the drawings are for illustrative purposes only and form no part of the claimed design.

The dash-dot lines in the drawings are for illustrative purposes only, and do not form a part of the claimed design.

Rather, these dash-dot lines represent boundaries between areas that form a part of the claimed design and areas that do not form a part of the claimed design.

The oblique shading lines in the drawings indicate a translucent material.

**1 Claim, 18 Drawing Sheets**

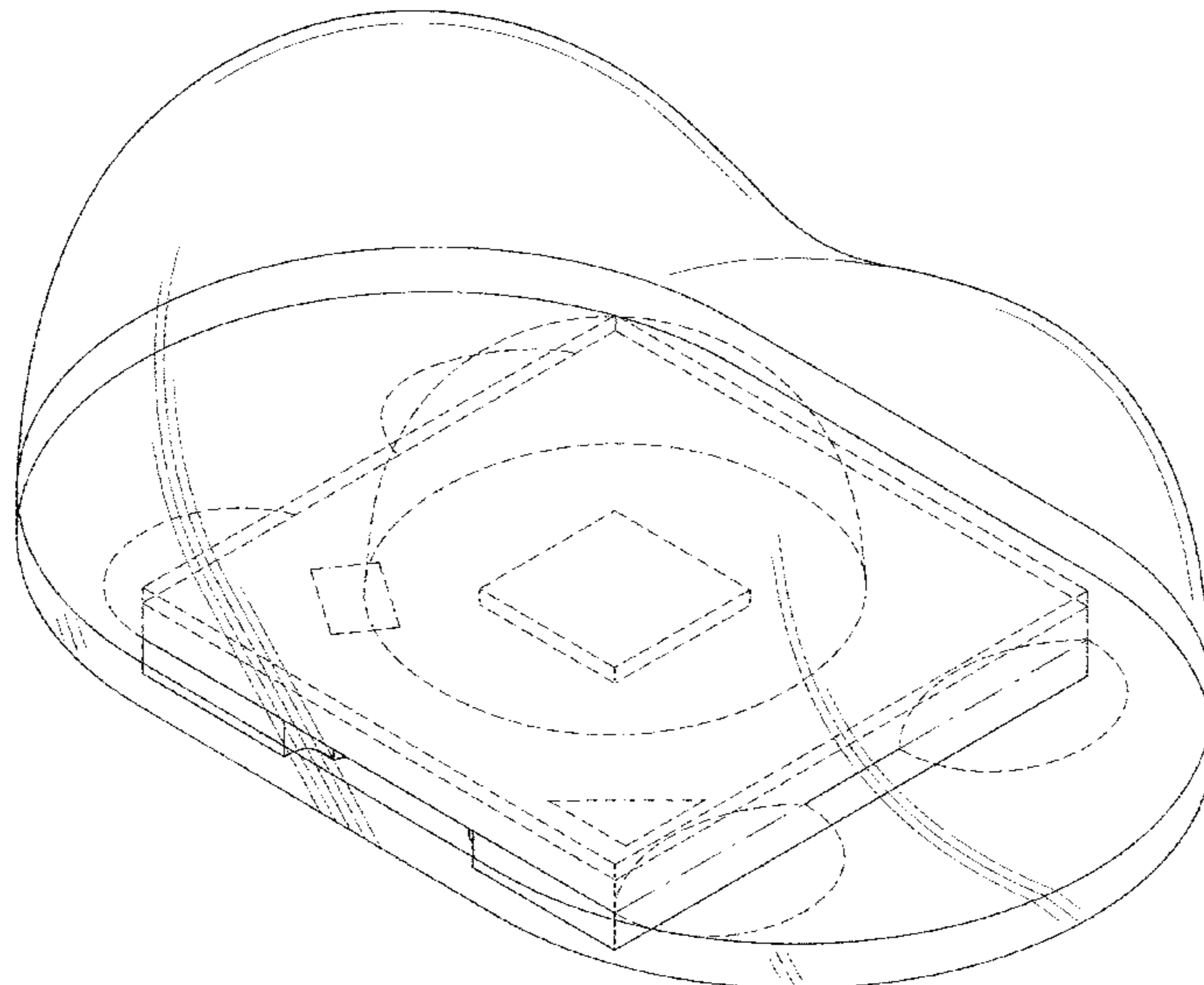
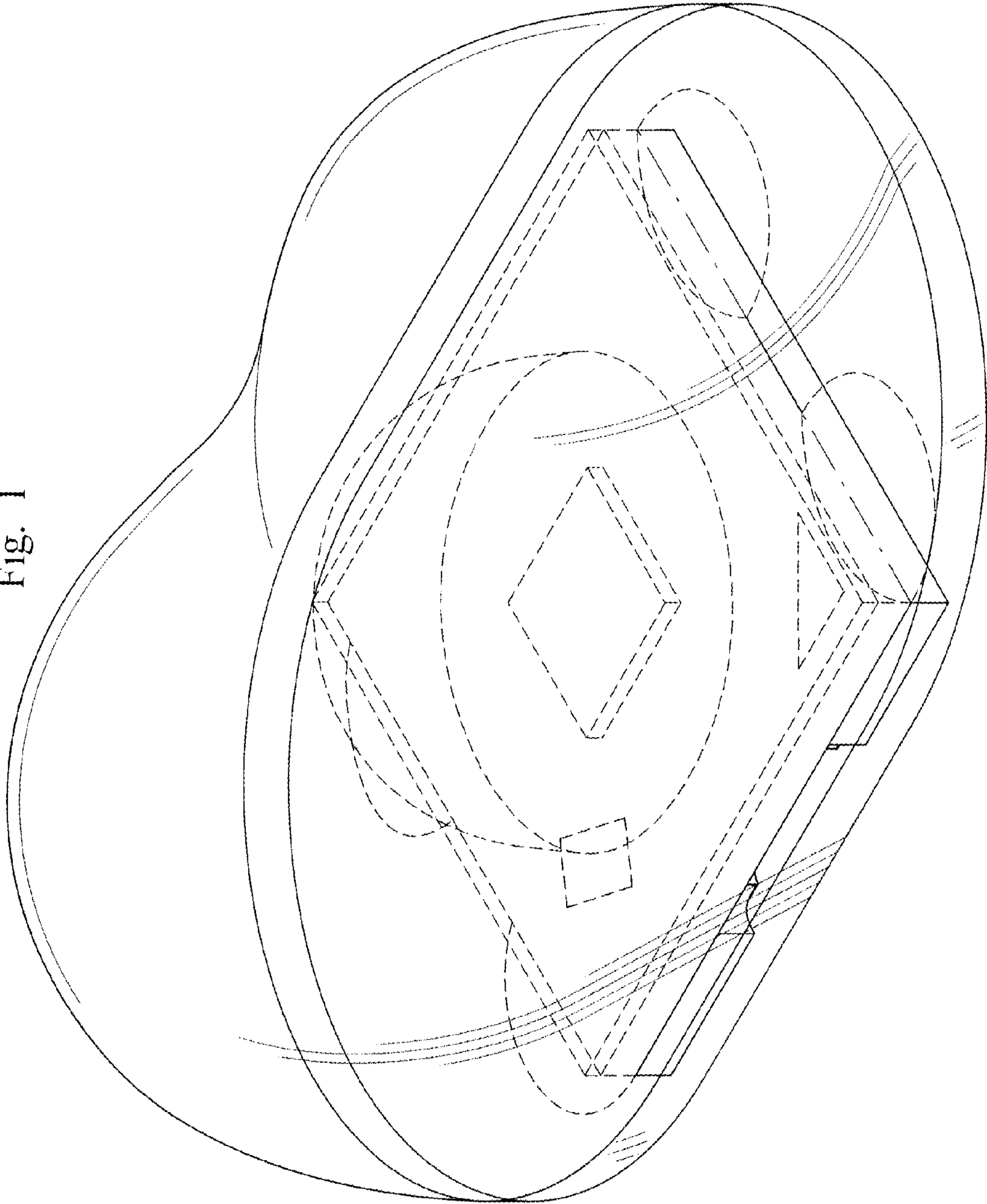


Fig. 1



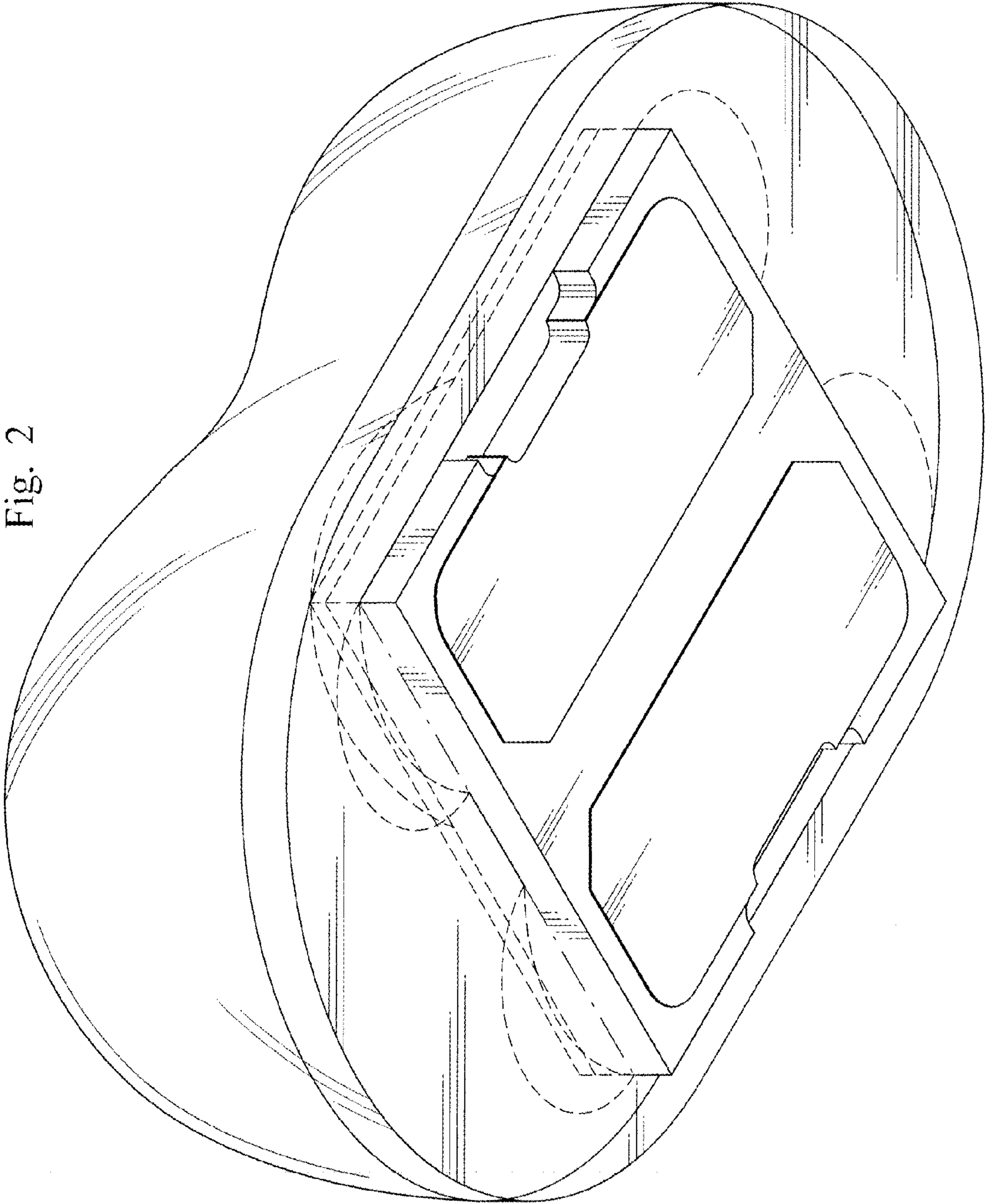


Fig. 2

Fig. 3

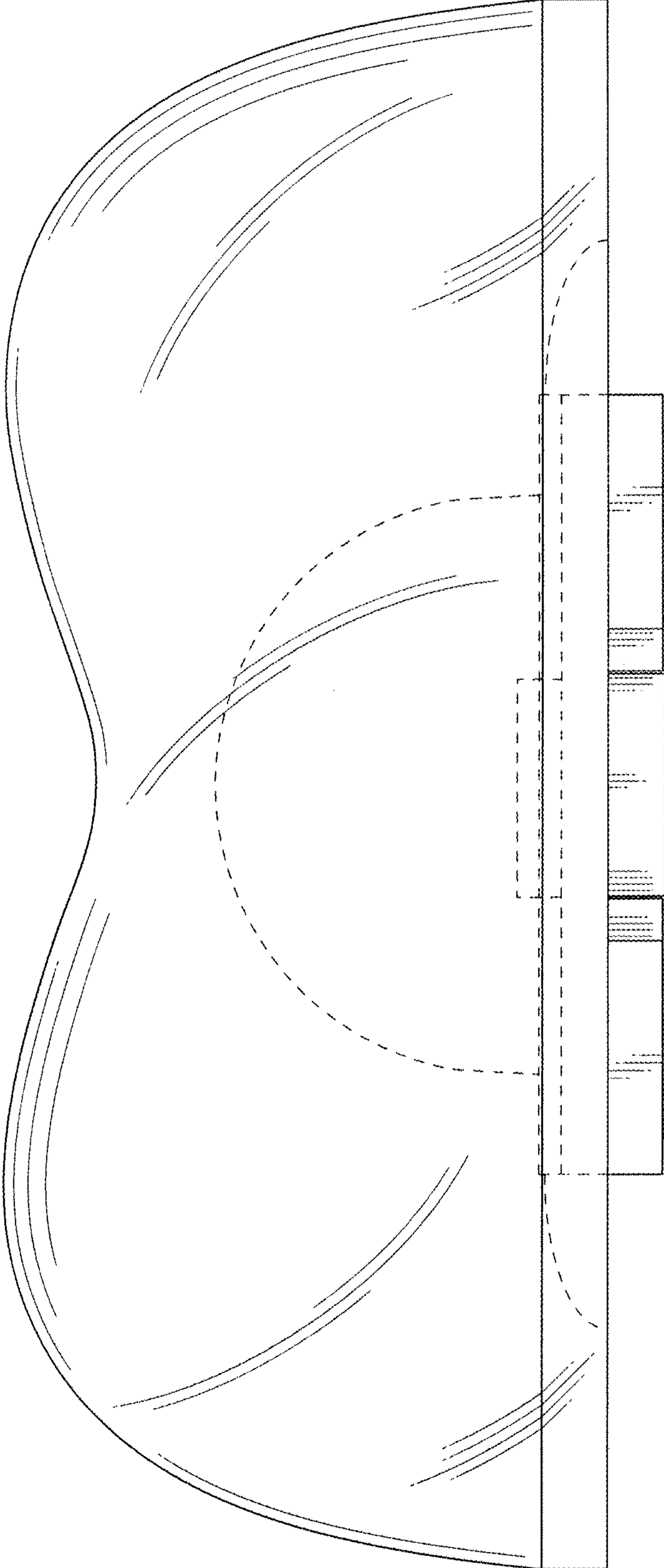
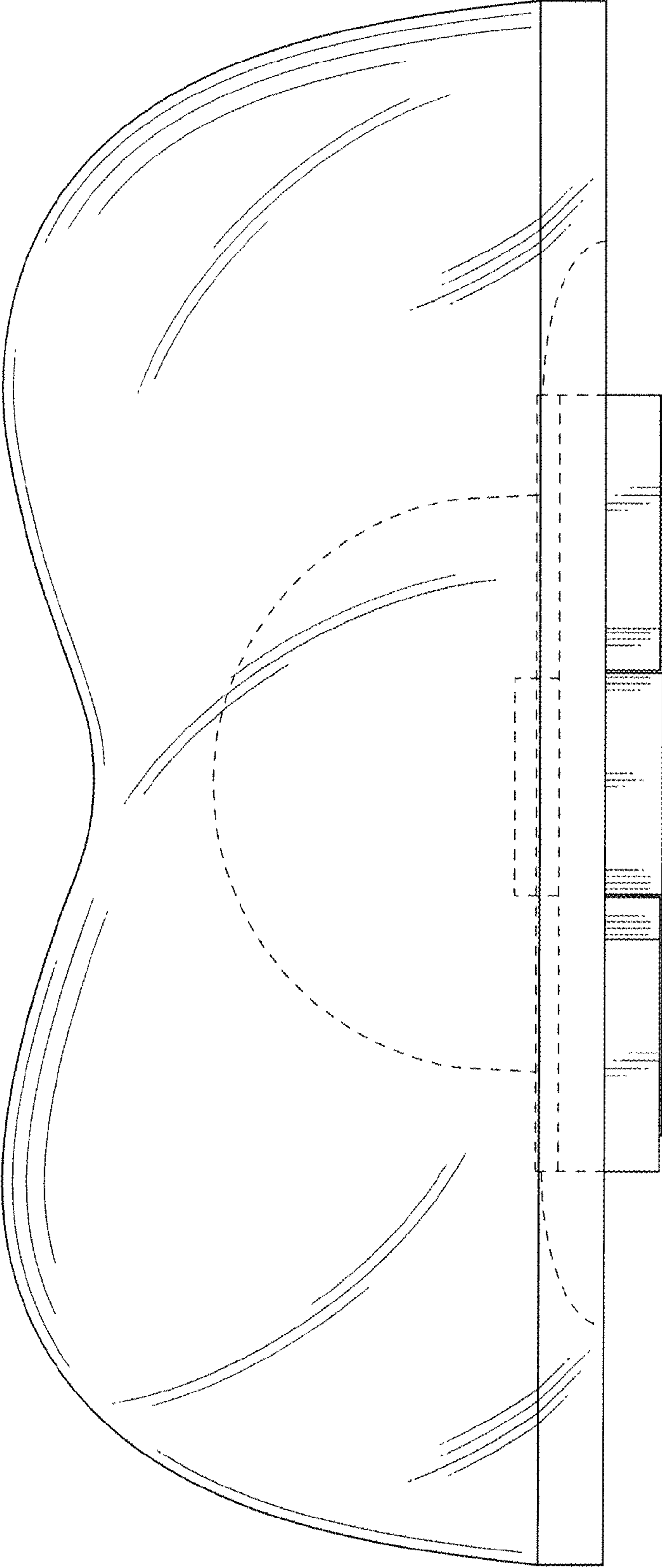


Fig. 4



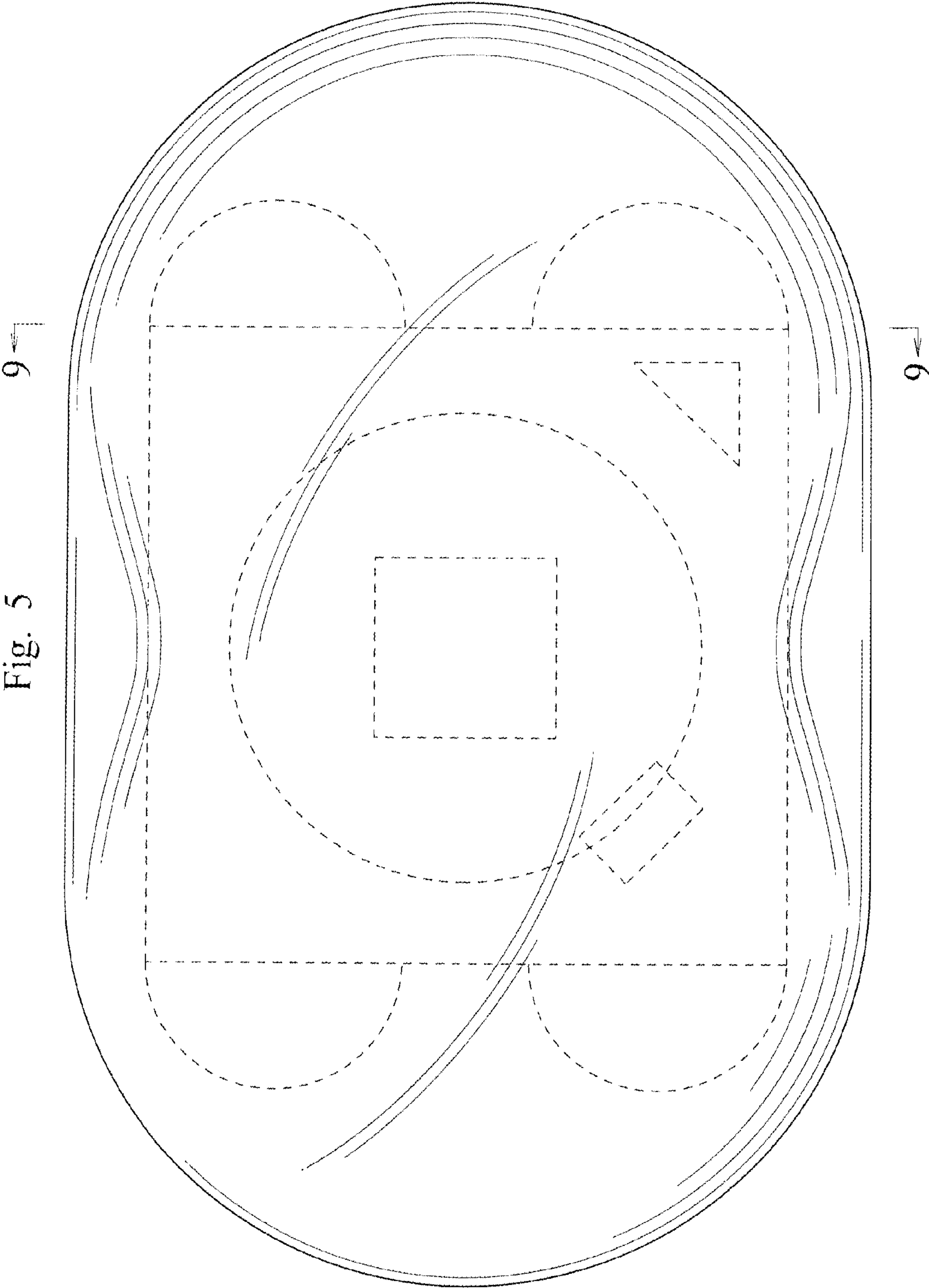


Fig. 6

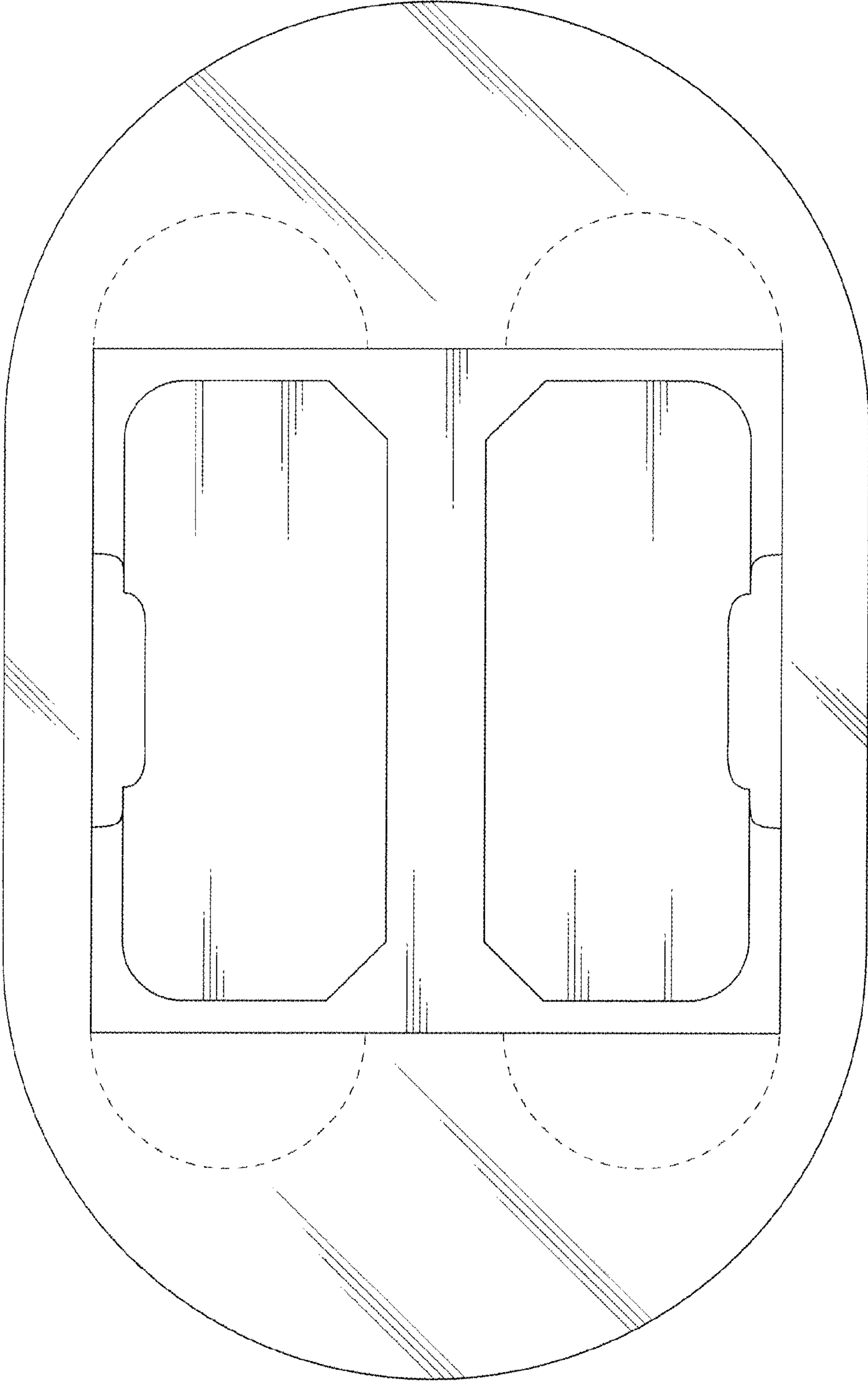


Fig. 7

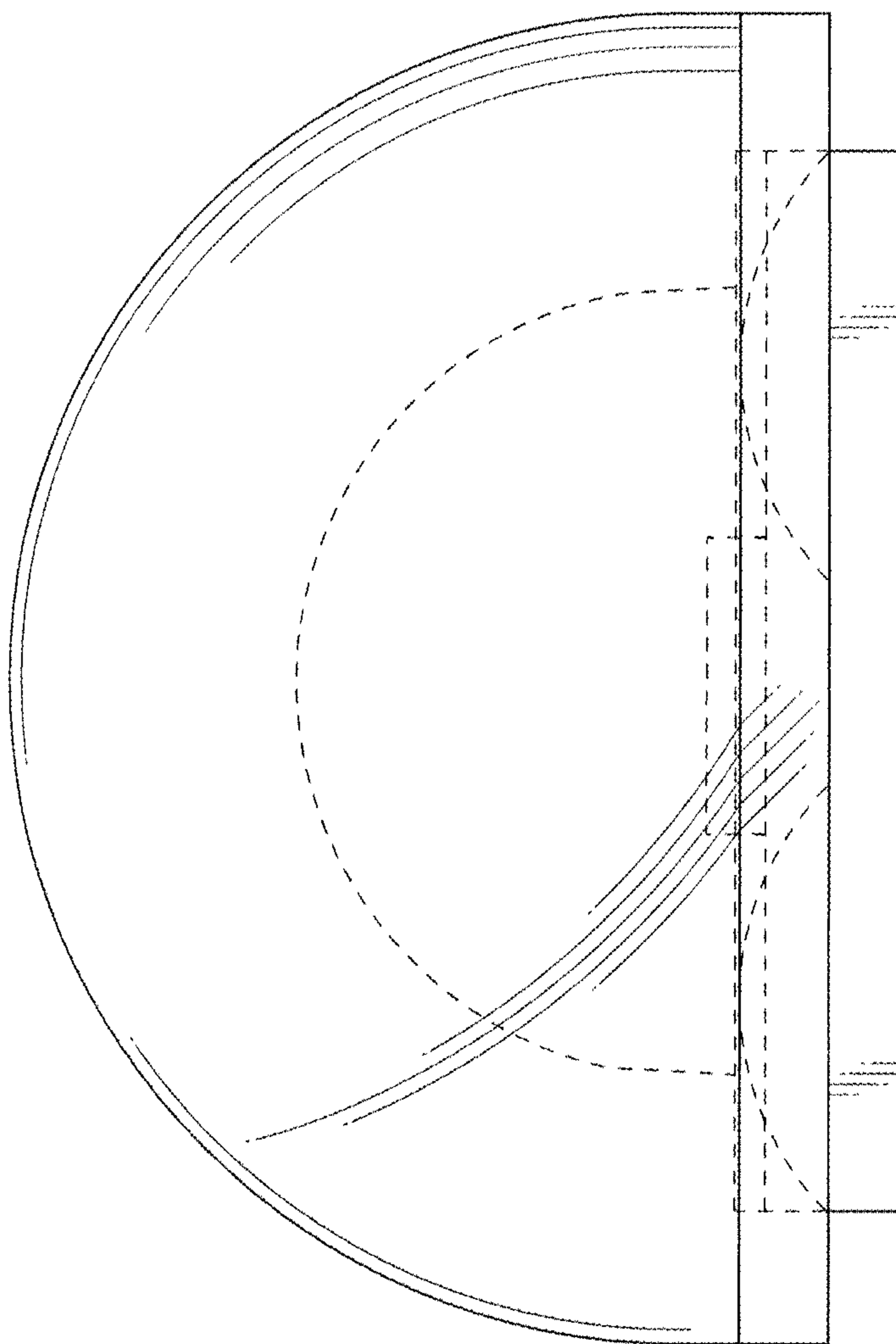




Fig. 8

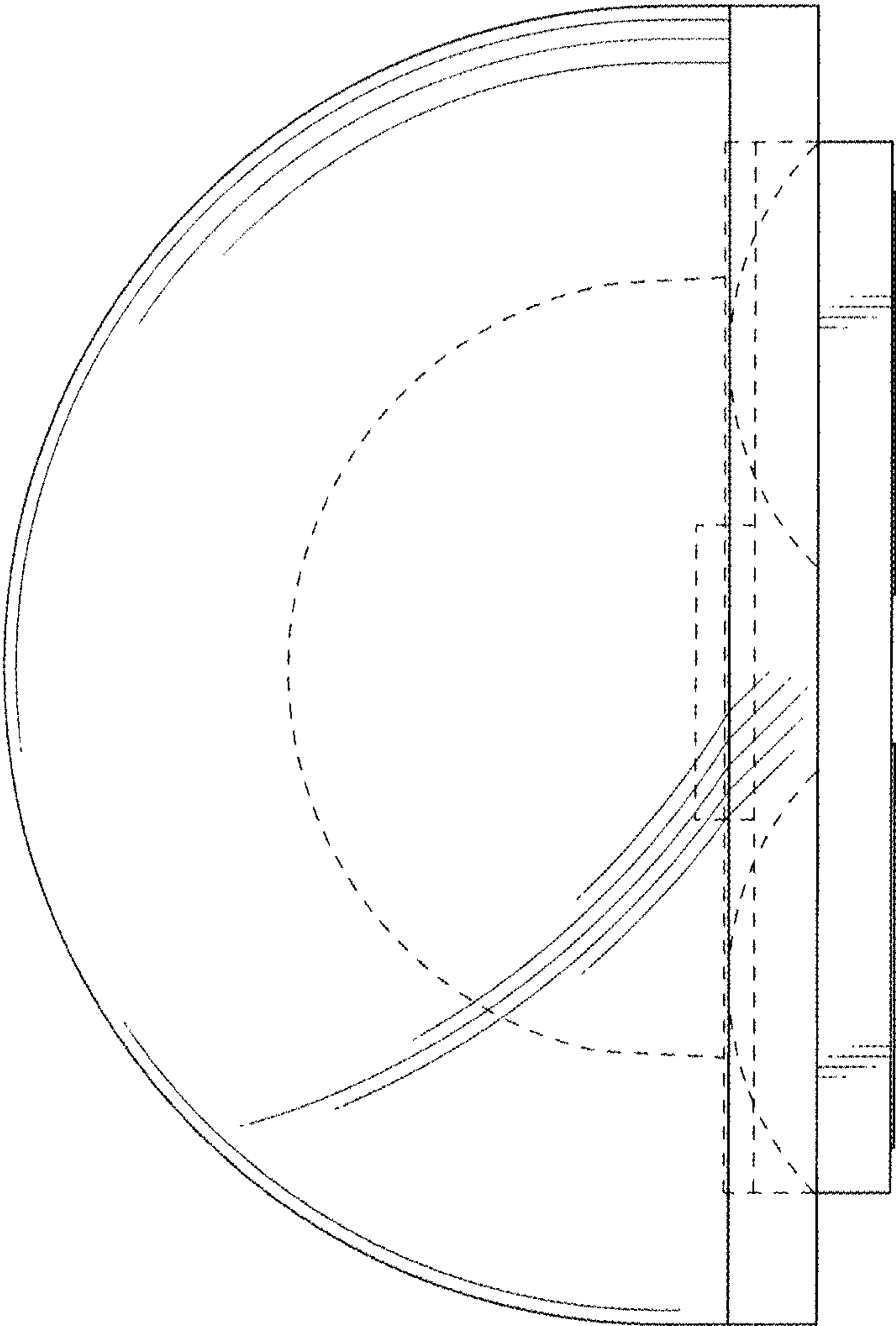
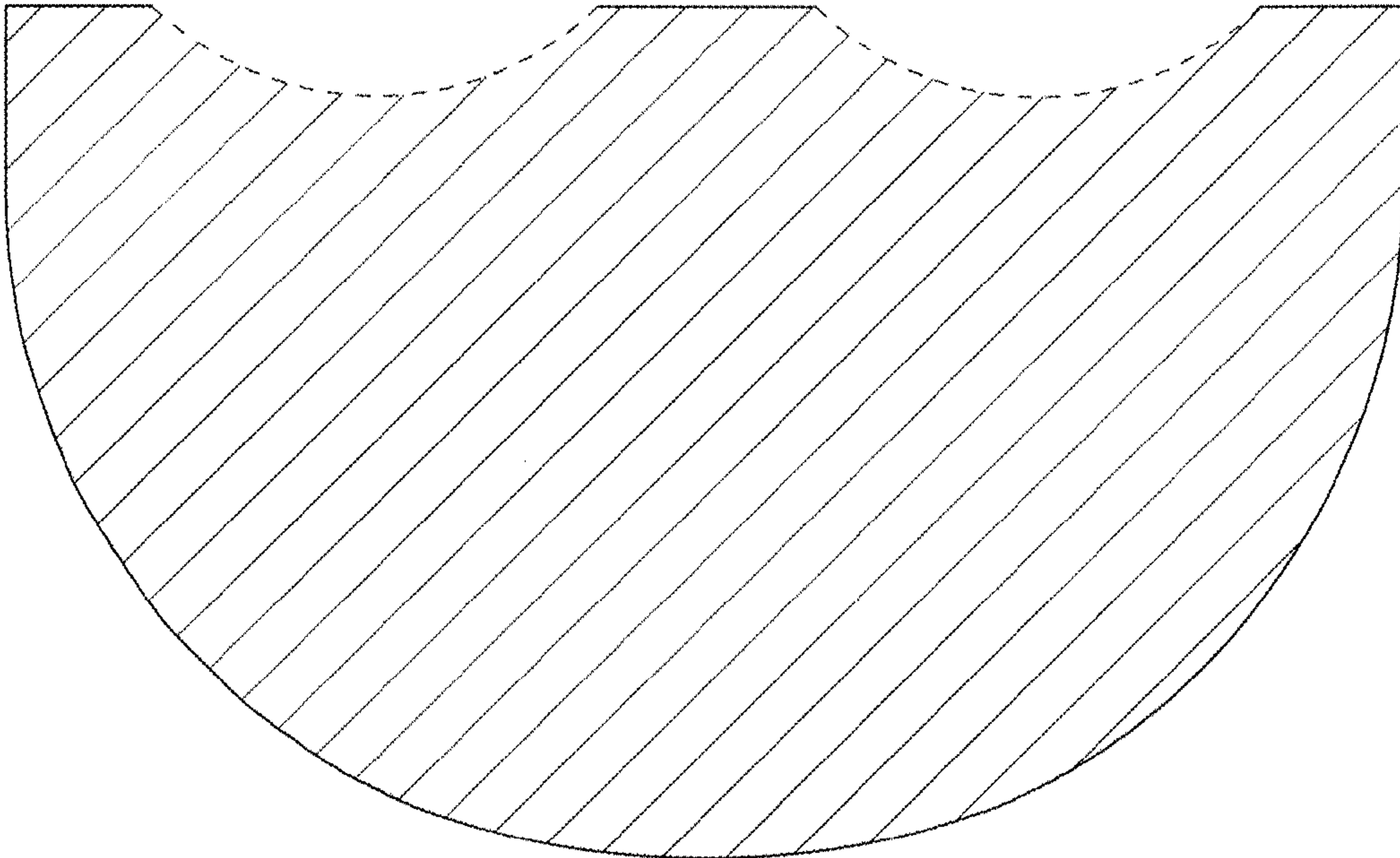


Fig. 9



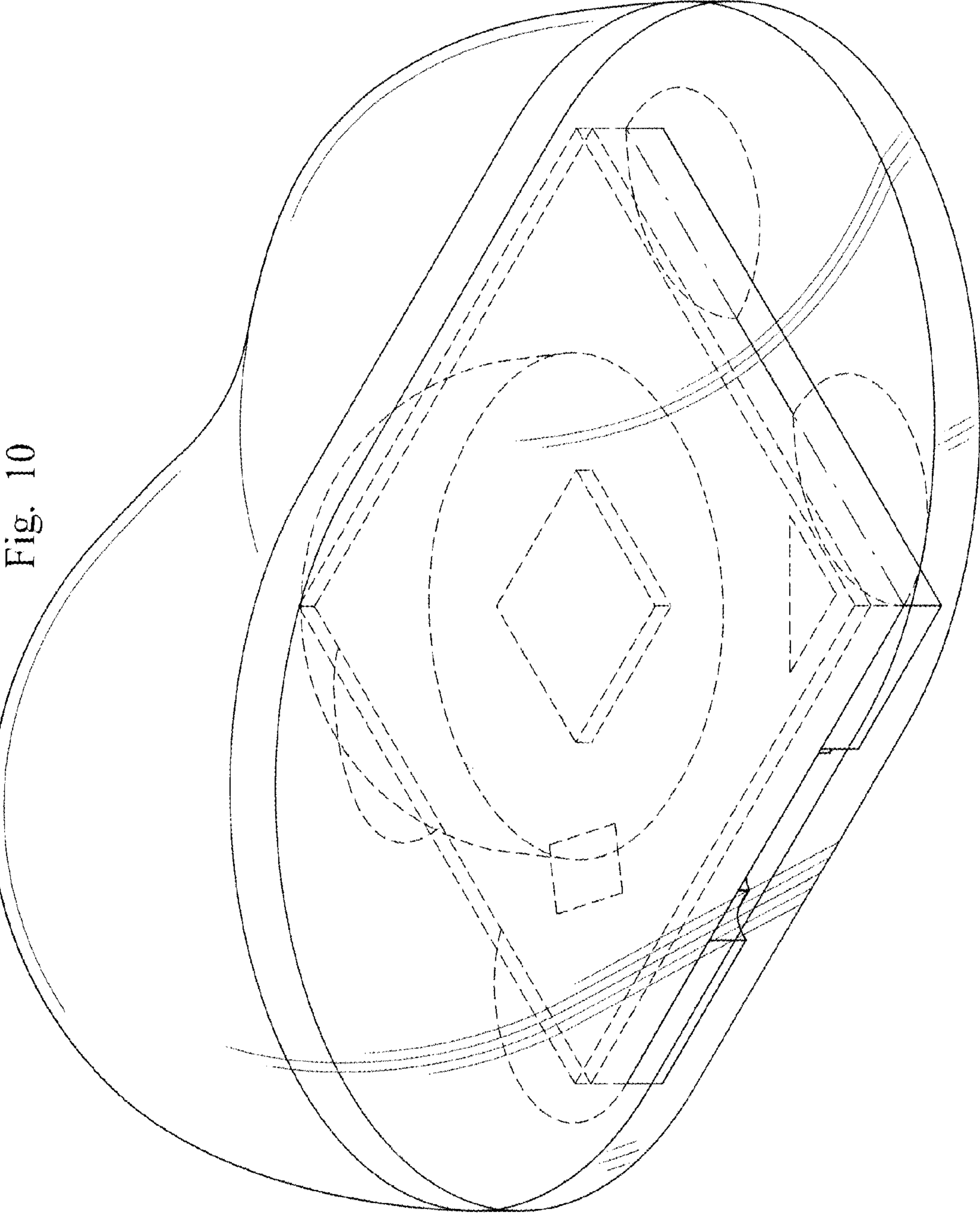


Fig. 10

Fig. 11

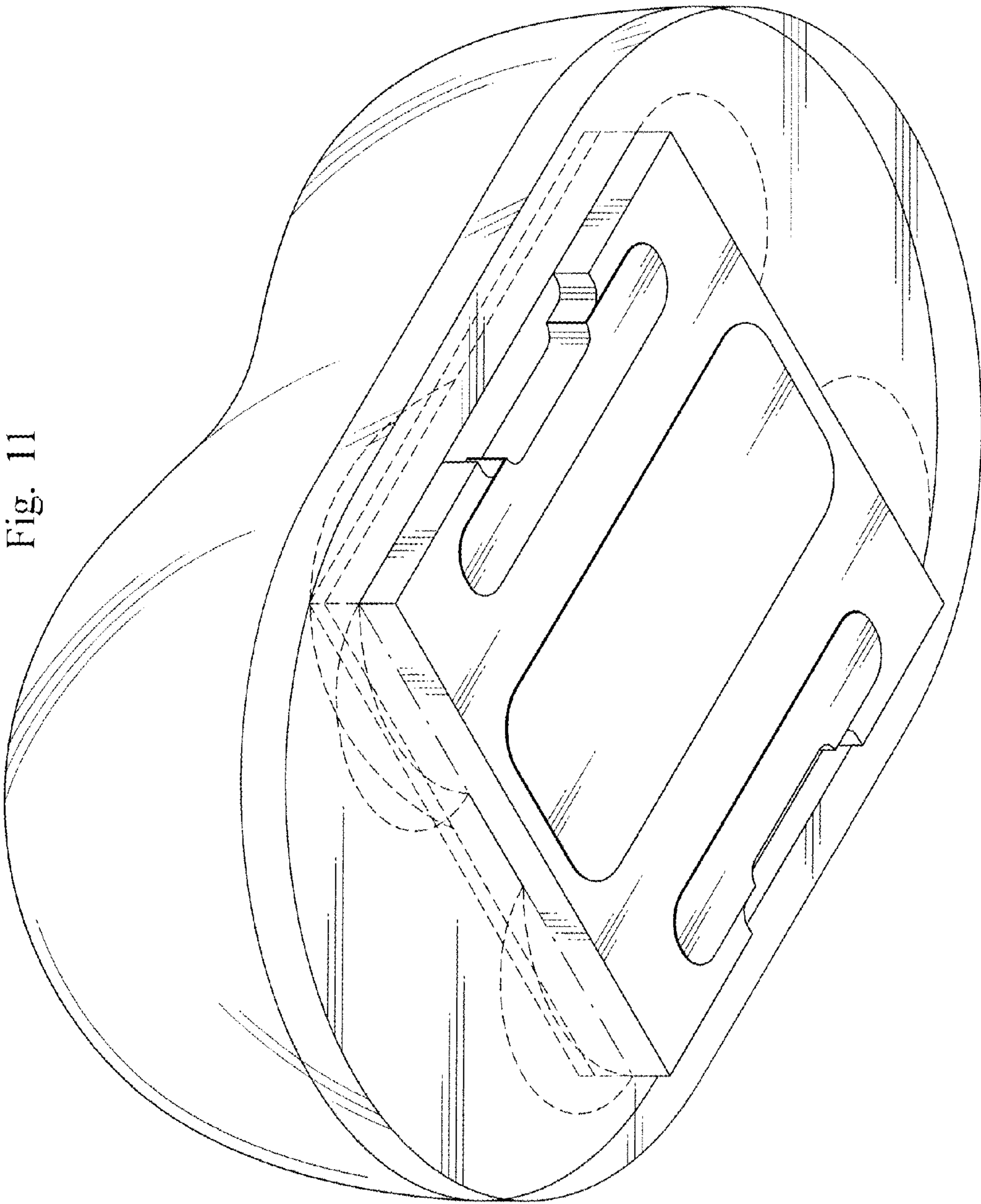


Fig. 12

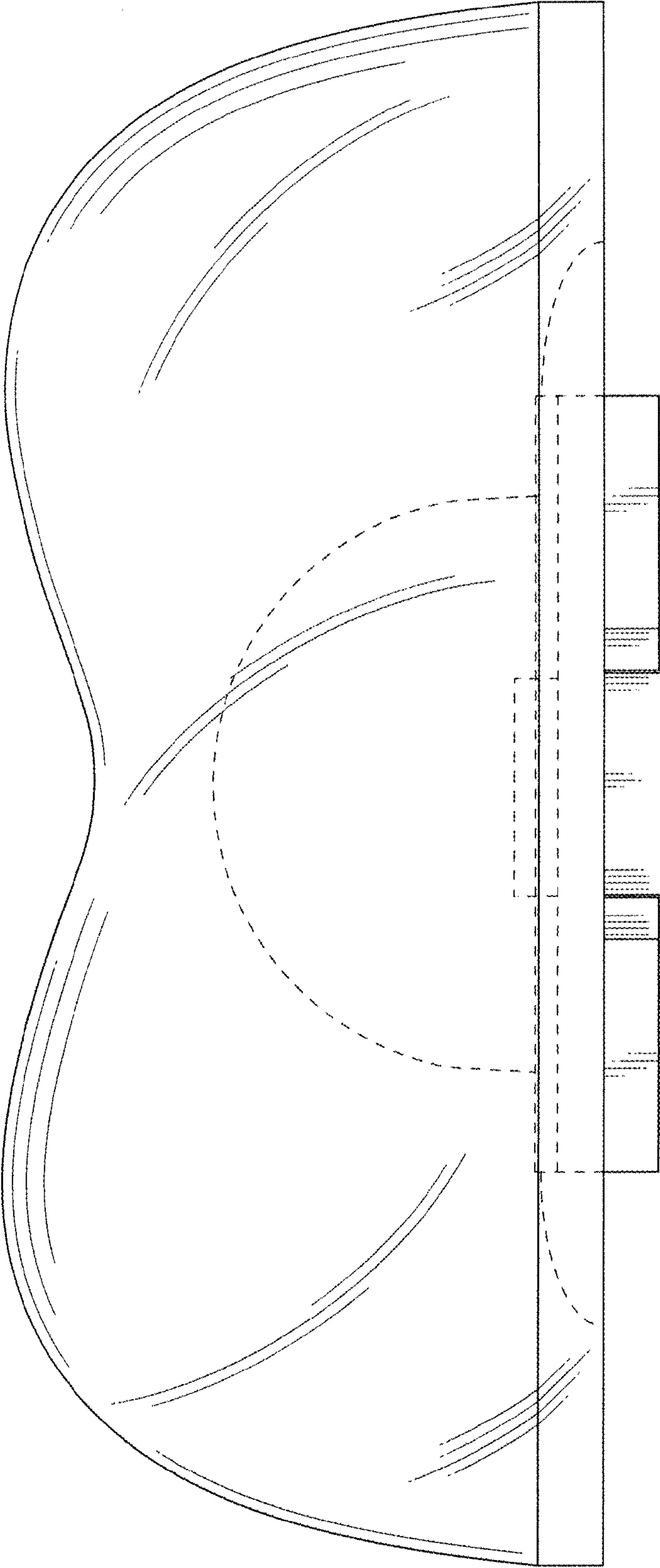
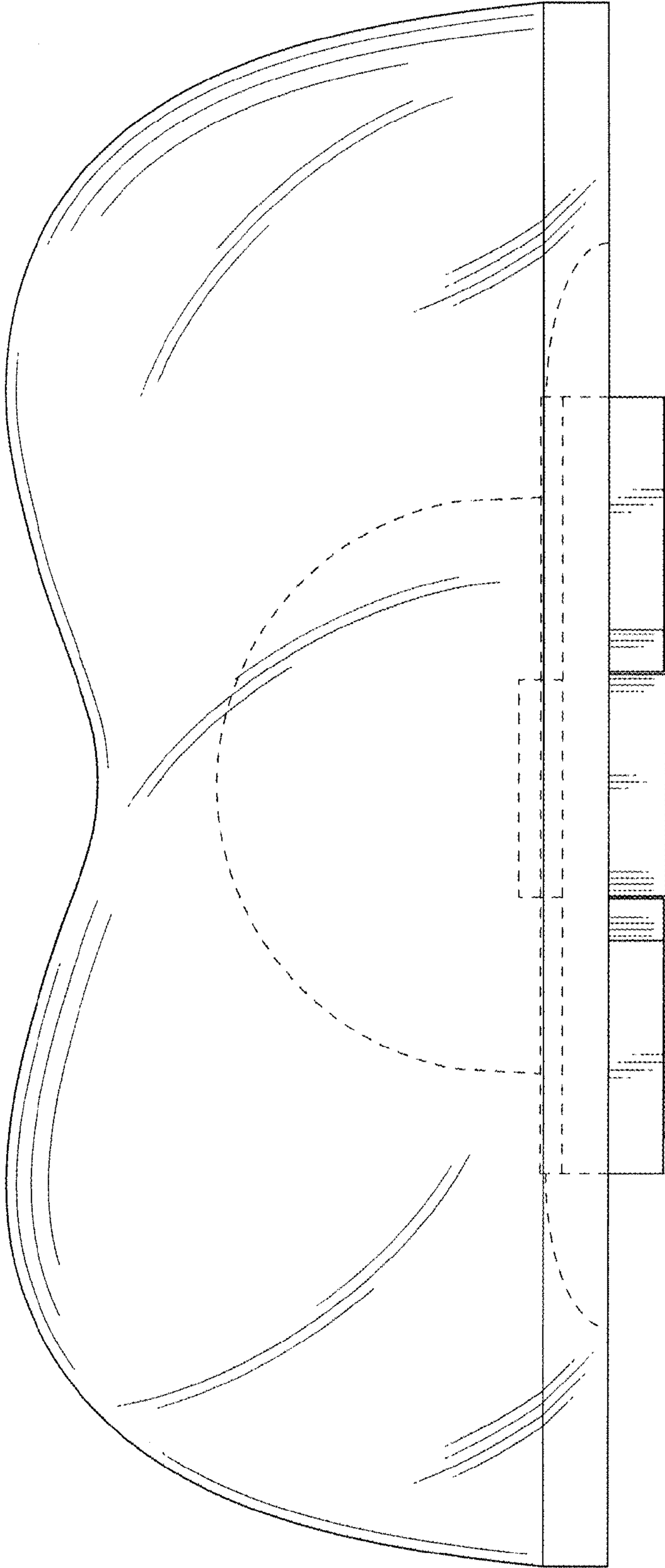


Fig. 13



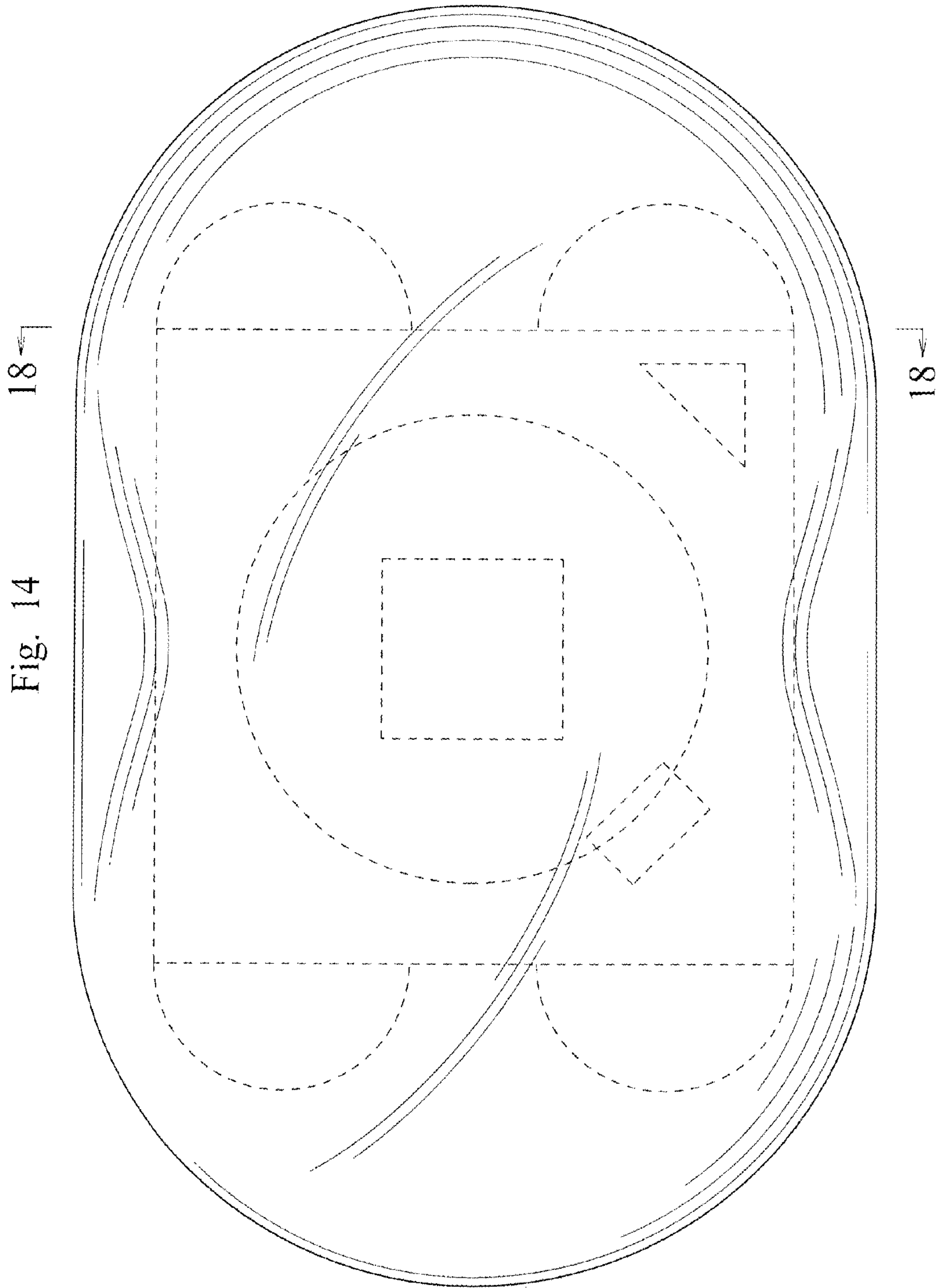


Fig. 15

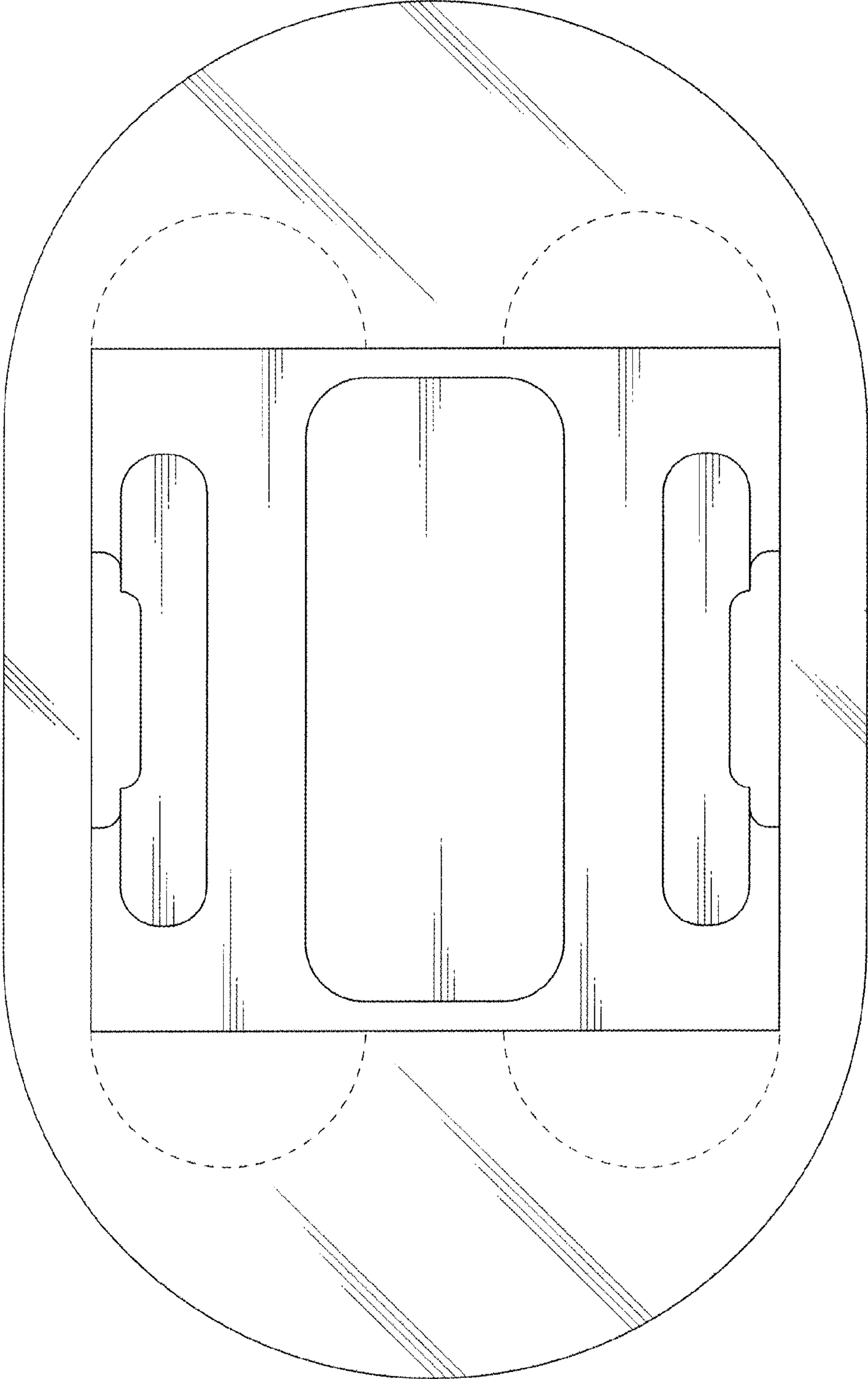




Fig. 16

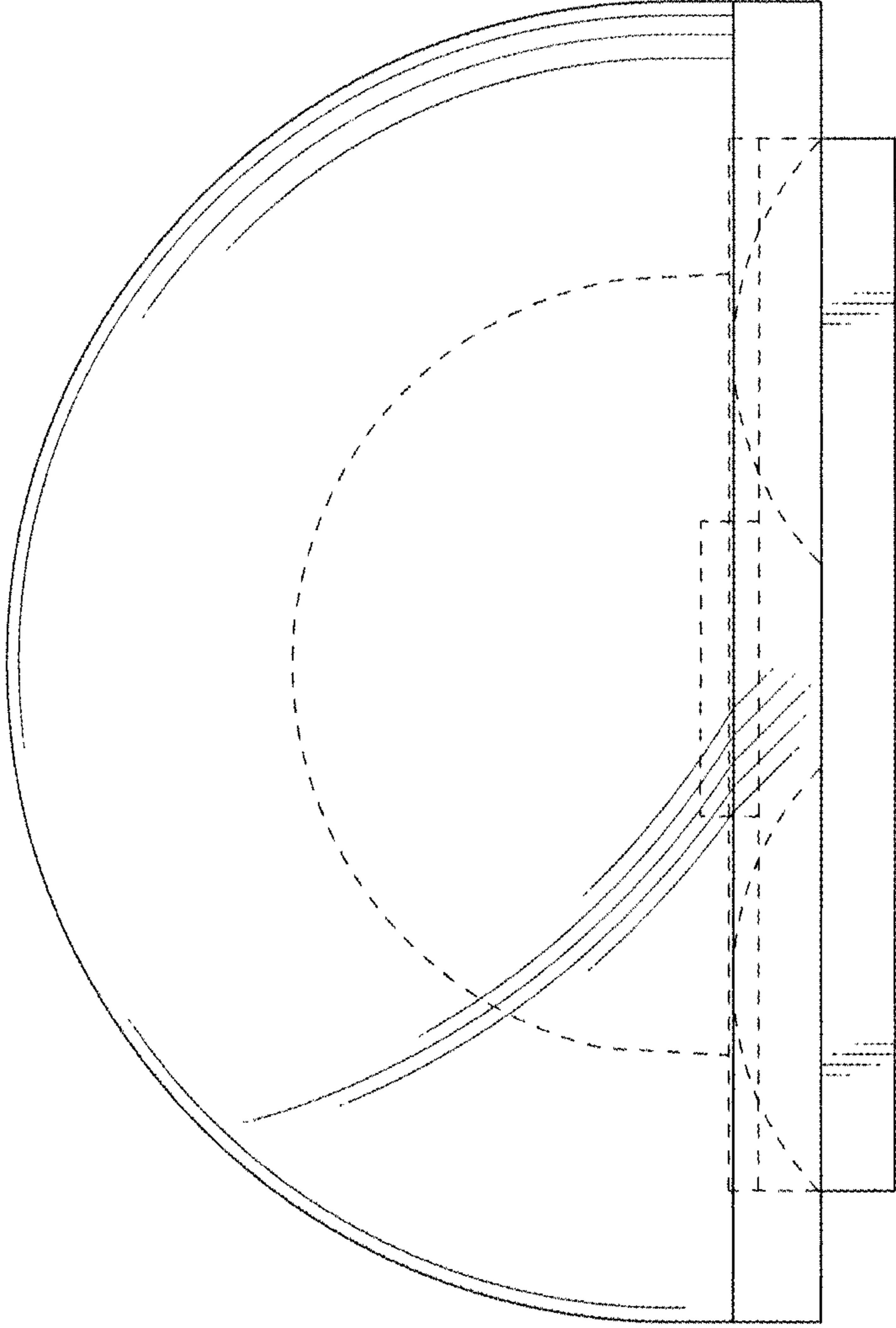


Fig. 17

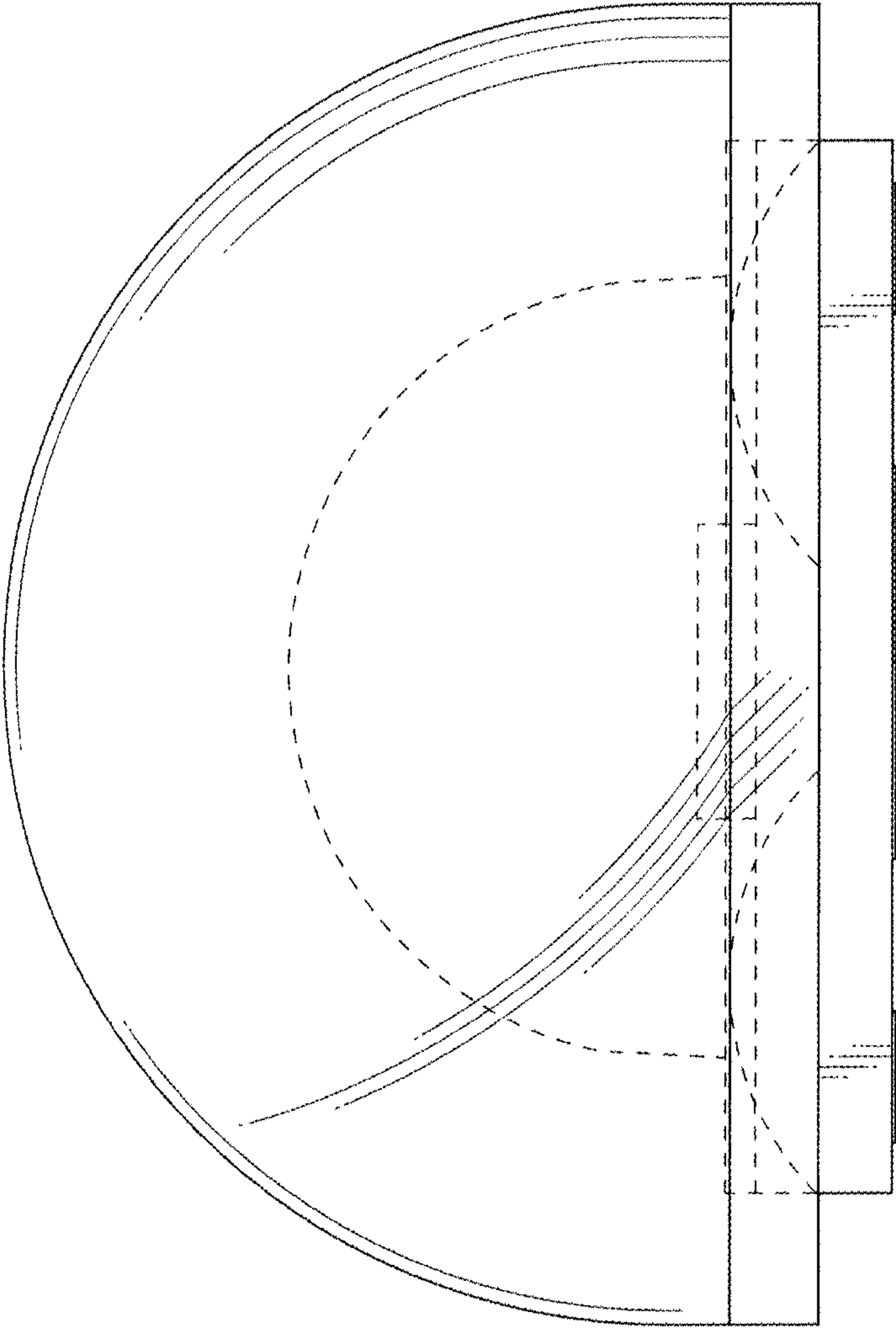


Fig. 18

