



US00D697640S

(12) **United States Design Patent**  
**Ksiezopolski**

(10) **Patent No.:** **US D697,640 S**  
(45) **Date of Patent:** **\*\* Jan. 14, 2014**

(54) **OVERLAPPING SEAL**

(75) **Inventor:** **Edwin E. Ksiezopolski**, Granger, IN  
(US)

(73) **Assignee:** **Lifetime Industries, Inc.**, Elkhart, IN  
(US)

(\*\*) **Term:** **14 Years**

(21) **Appl. No.:** **29/429,820**

(22) **Filed:** **Aug. 17, 2012**

(51) **LOC (10) Cl.** ..... **25-01**

(52) **U.S. Cl.**  
USPC ..... **D25/124; D25/48.2**

(58) **Field of Classification Search**  
USPC ..... D25/48.2, 124, 119, 125; 49/467, 468,  
49/469, 472, 473, 474, 475.1, 499.1, 470,  
49/482.1, 493; 52/204.1, 205, 210, 293.3,  
52/741.4

See application file for complete search history.

(56) **References Cited**

**U.S. PATENT DOCUMENTS**

3,273,287 A \* 9/1966 Pease, Jr. .... 49/468  
D270,185 S \* 8/1983 Wooten et al. .... D25/124

5,214,880 A \* 6/1993 Woodruff et al. .... 49/470  
D435,120 S \* 12/2000 Bevan et al. .... D25/119  
D474,844 S \* 5/2003 Babka et al. .... D25/48.2  
2005/0086868 A1 \* 4/2005 Santelli ..... 49/499.1

\* cited by examiner

*Primary Examiner* — Doris Clark

(74) *Attorney, Agent, or Firm* — Botkin & Hall, LLP;  
Michael D. Marston

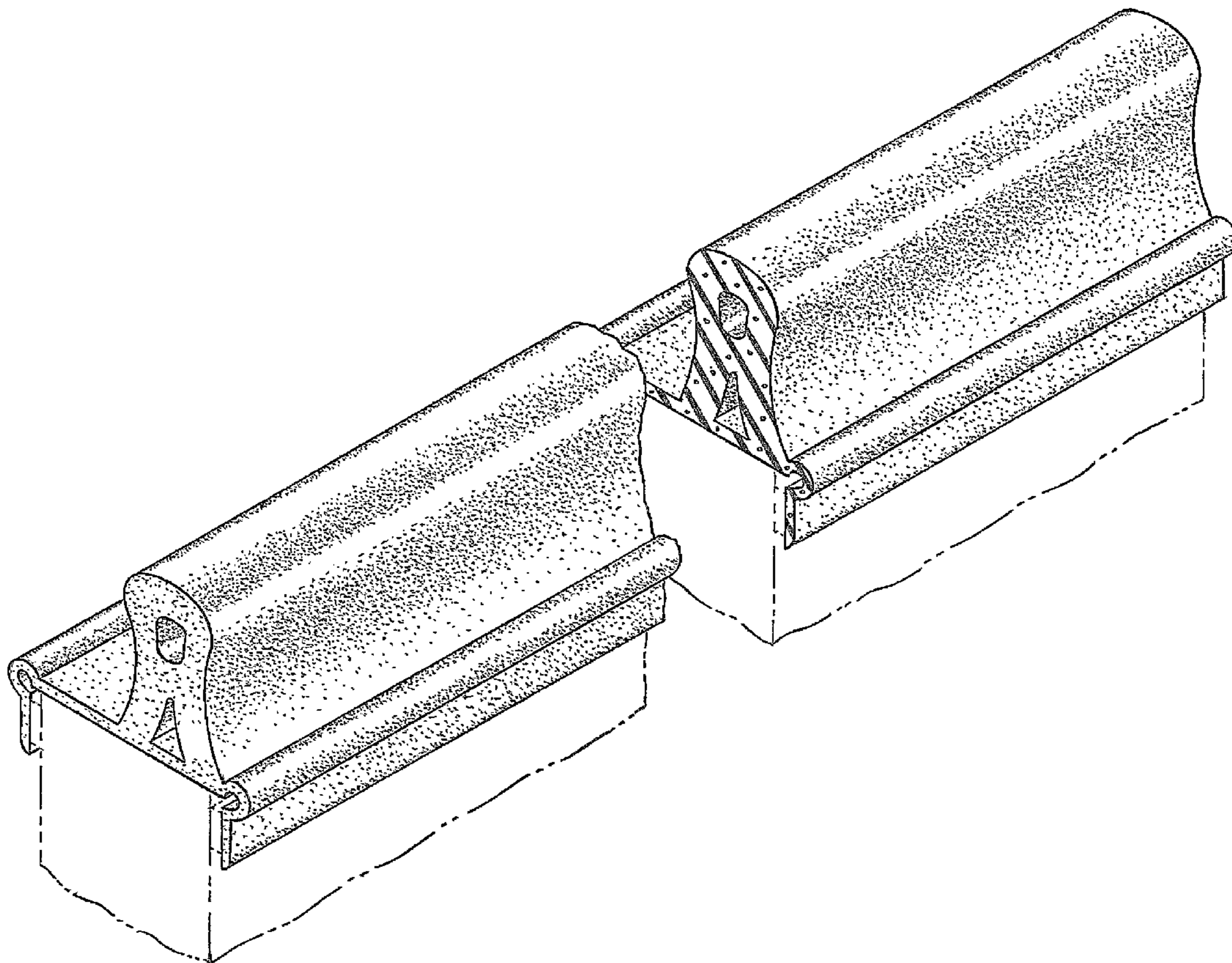
(57) **CLAIM**

The ornamental design for an overlapping seal, as shown and described.

**DESCRIPTION**

FIG. 1 is a perspective view of the seal;  
FIG. 2 is a front side view of the seal shown in FIG. 1;  
FIG. 3 is an end view of the seal shown in FIGS. 1-2;  
FIG. 4 is a top view of the seal shown in FIGS. 1-3; and,  
FIG. 5 is a bottom view of the seal shown in FIGS. 1-4.  
FIGS. 1, 2, 4, and 5 are shown broken away to indicate no particular length.  
The broken line seal is shown for illustrative purposes and forms no part of the claimed design.

**1 Claim, 2 Drawing Sheets**



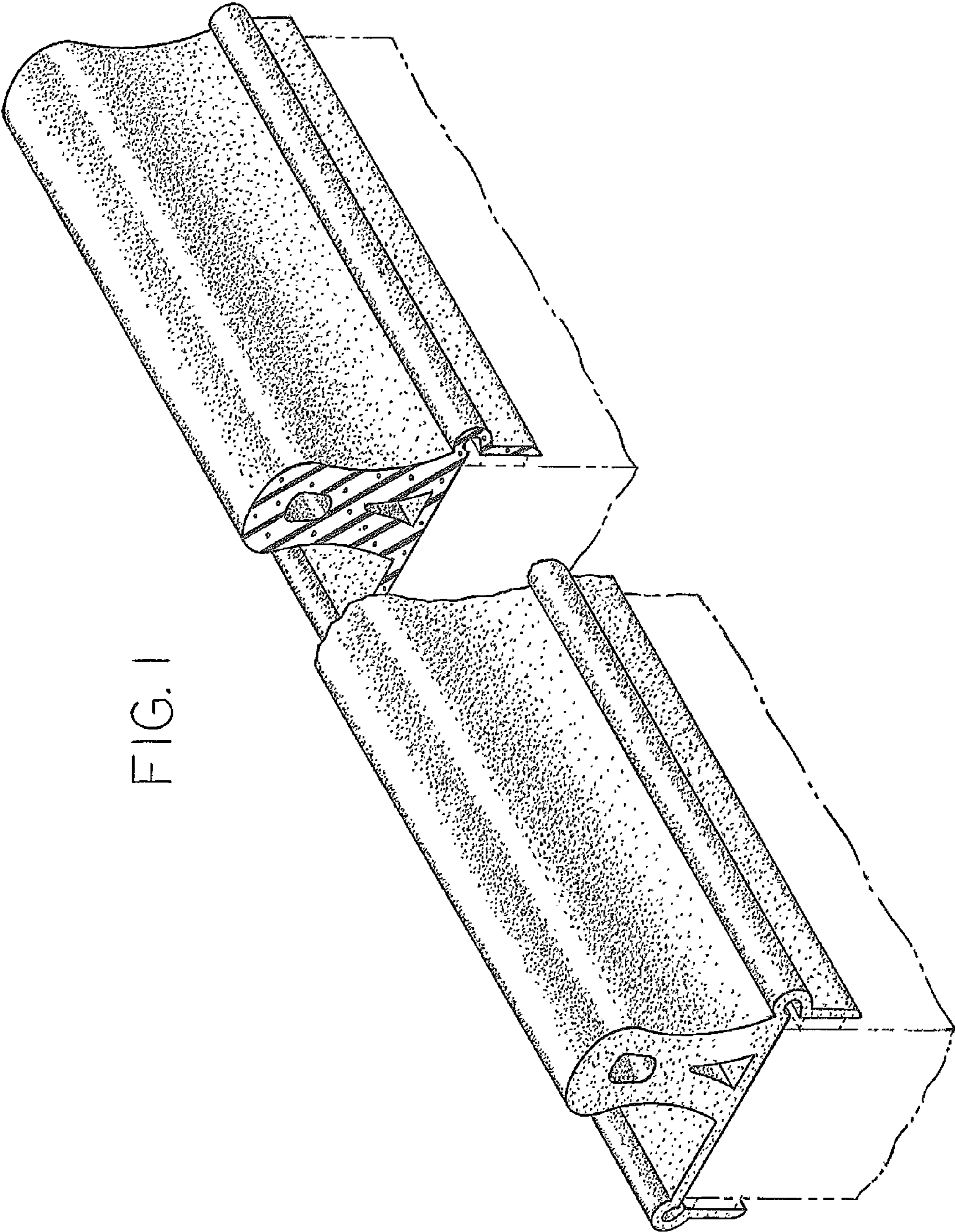


FIG. 1



FIG.3

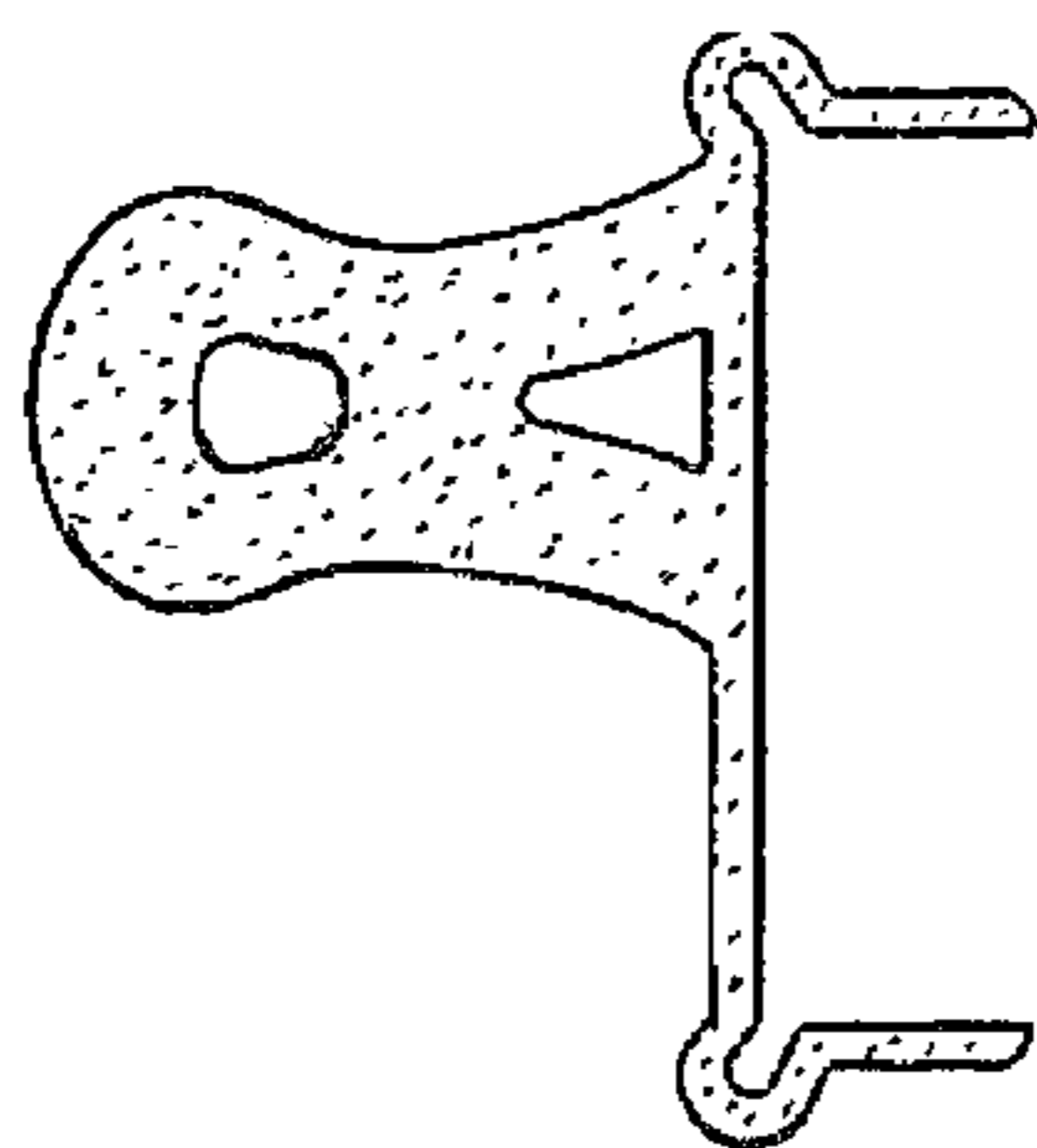


FIG.2

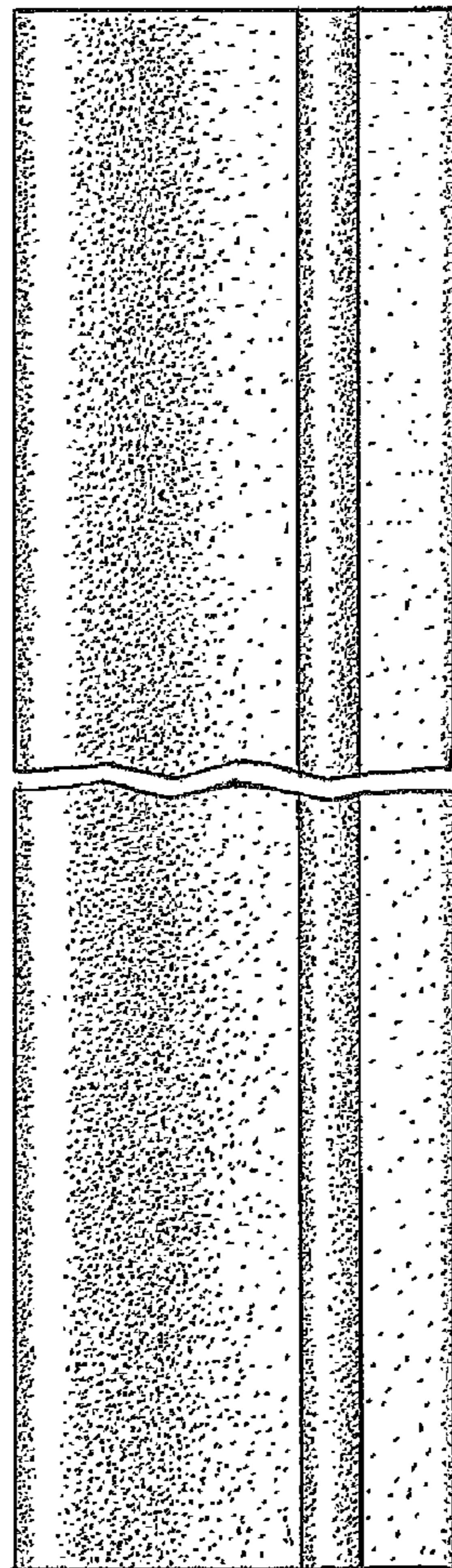


FIG.4

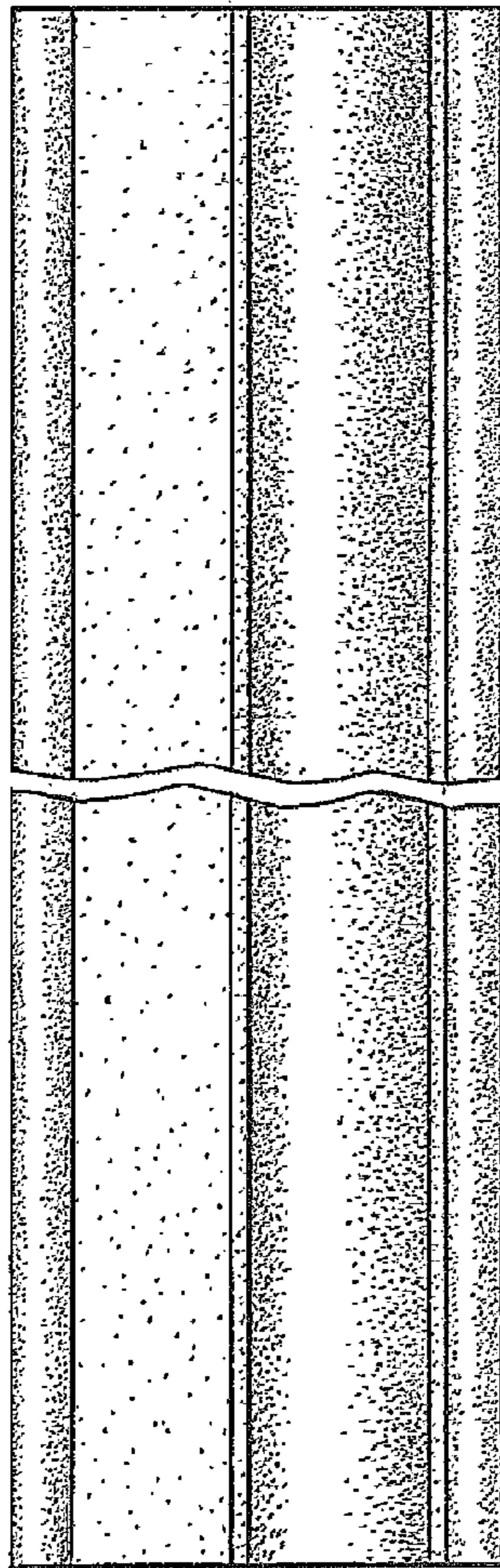


FIG.5

