

US00D697632S

(12) **United States Design Patent**
Dagiral

(10) **Patent No.:** **US D697,632 S**
(45) **Date of Patent:** **** Jan. 14, 2014**

(54) **ANALYSIS APPARATUS**
(75) Inventor: **Rodolphe Dagiral**, Villenave d'Ornon (FR)
(73) Assignee: **R.A.L. Diagnostics**, Martillac (FR)
(**) Term: **14 Years**
(21) Appl. No.: **29/383,626**
(22) Filed: **Jan. 20, 2011**

D424,956 S * 5/2000 von Buelow et al. D10/81
6,126,903 A * 10/2000 Preston et al. 422/63
D549,827 S * 8/2007 Maeno et al. D24/169
D554,069 S * 10/2007 Bolotin et al. D13/162
D554,551 S * 11/2007 Ouchi et al. D24/232
D560,131 S * 1/2008 Hu D24/186
D612,948 S * 3/2010 Fleury et al. D24/216
D629,907 S * 12/2010 Boessneck et al. D24/169
7,968,060 B2 * 6/2011 Van Tuyl 422/501
2010/0129859 A1 * 5/2010 Allen et al. 435/287.1

* cited by examiner

(30) **Foreign Application Priority Data**
Jul. 20, 2010 (EM) 001733361
(51) **LOC (10) Cl.** **24-01**
(52) **U.S. Cl.**
USPC **D24/216**
(58) **Field of Classification Search**
USPC D24/216, 217, 219, 231, 232, 107, 169,
D24/186; D10/81; 422/500, 547, 62-65, 67;
436/43, 45, 47; 435/287.1, 287.3
See application file for complete search history.

Primary Examiner — Anhdao Doan
(74) *Attorney, Agent, or Firm* — Young & Thompson

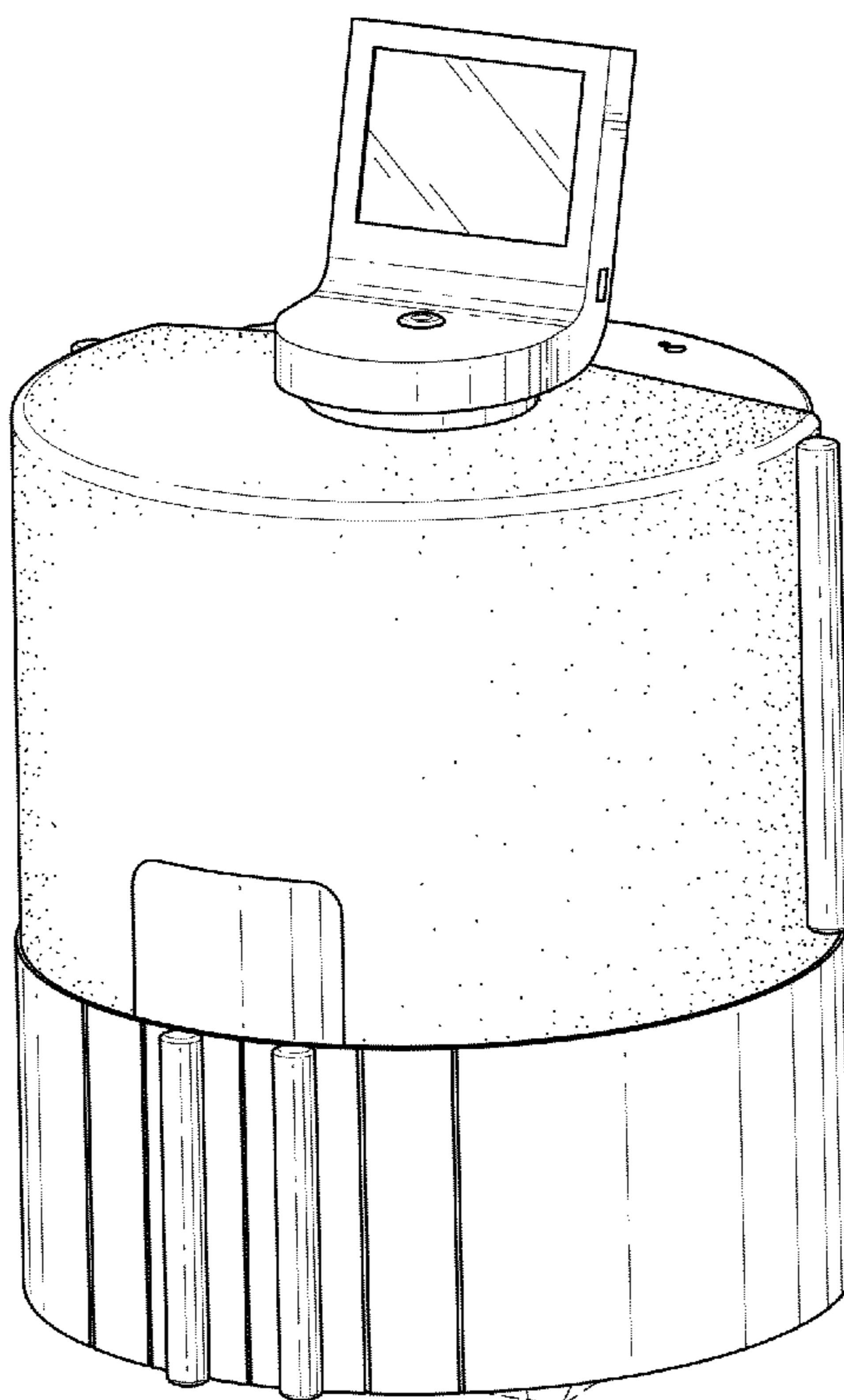
(57) **CLAIM**
The ornamental design for an analysis apparatus, as shown and described.

DESCRIPTION

FIG. 1 is a top and side perspective view of an analysis apparatus showing my new design;
FIG. 2 is a front elevational view thereof;
FIG. 3 is a rear elevational view thereof;
FIG. 4 is a side elevational view thereof from the right of FIG. 3;
FIG. 5 is a side elevational view thereof from the left of FIG. 3; and,
FIG. 6 is a top plan view thereof.
The portions of the design shown in broken lines show unclaimed subject matter.

(56) **References Cited**
U.S. PATENT DOCUMENTS
D412,991 S * 8/1999 DiVito et al. D24/232
D424,458 S * 5/2000 Hanson et al. D10/81

1 Claim, 6 Drawing Sheets



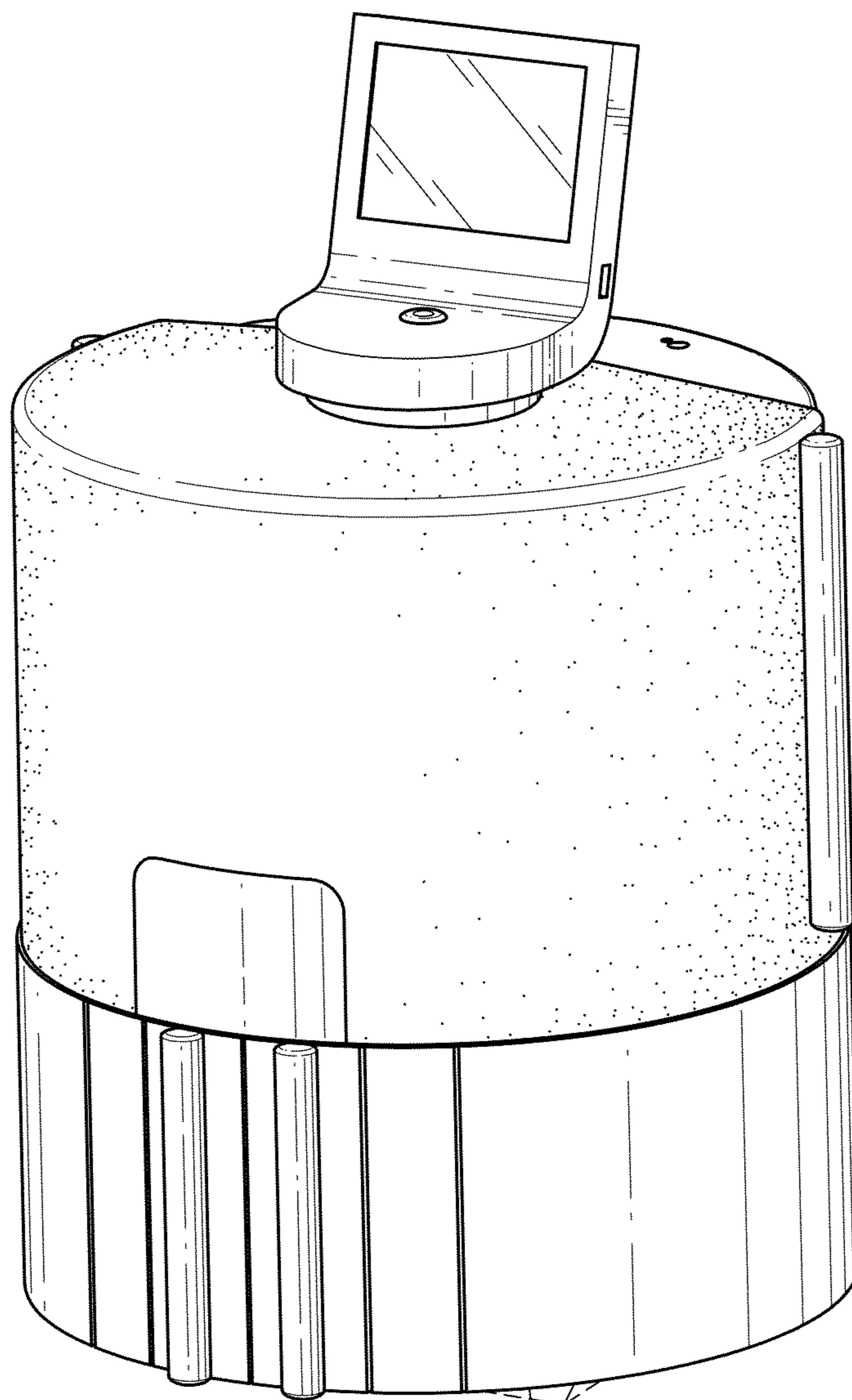


FIG. 1

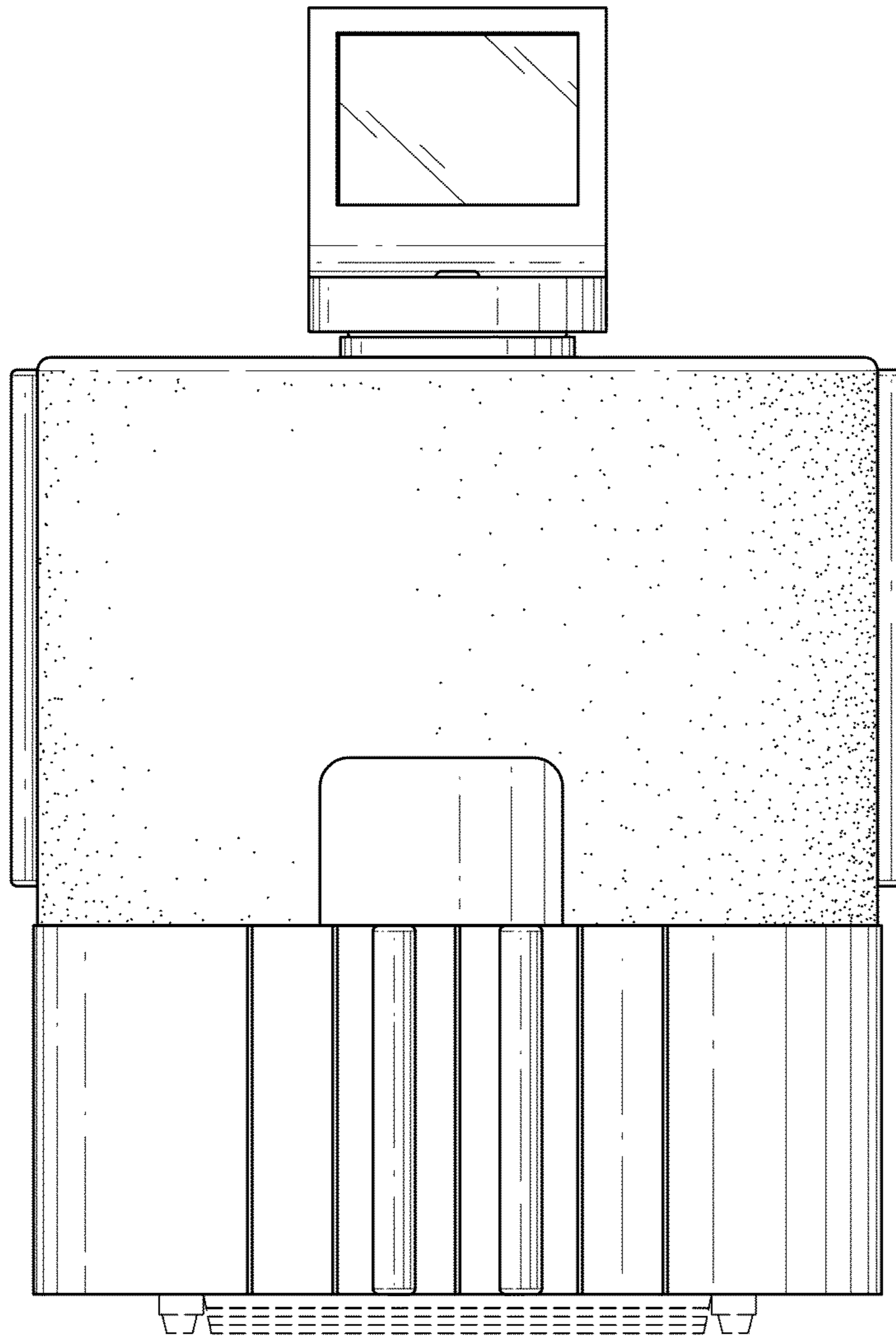


FIG. 2

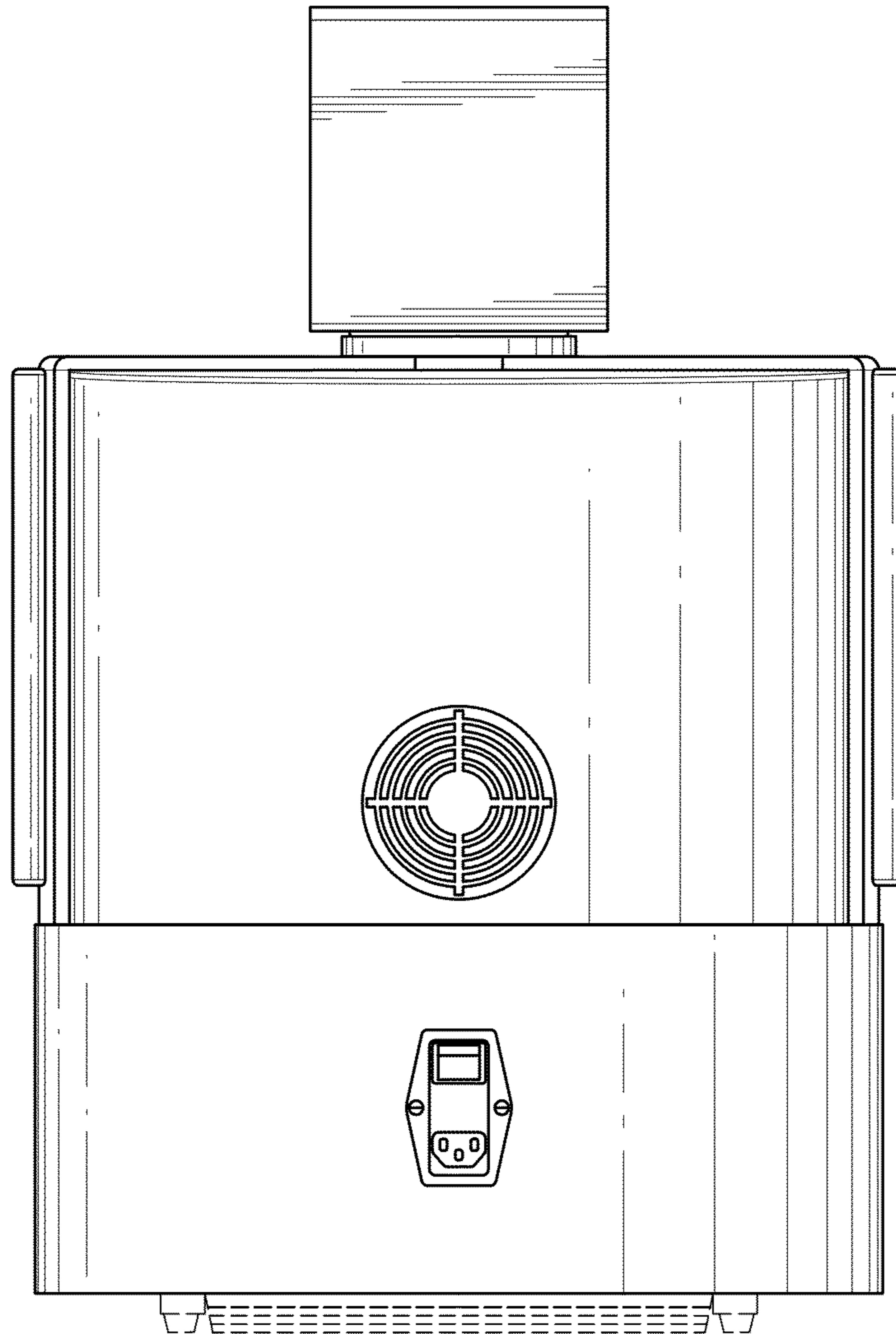


FIG. 3

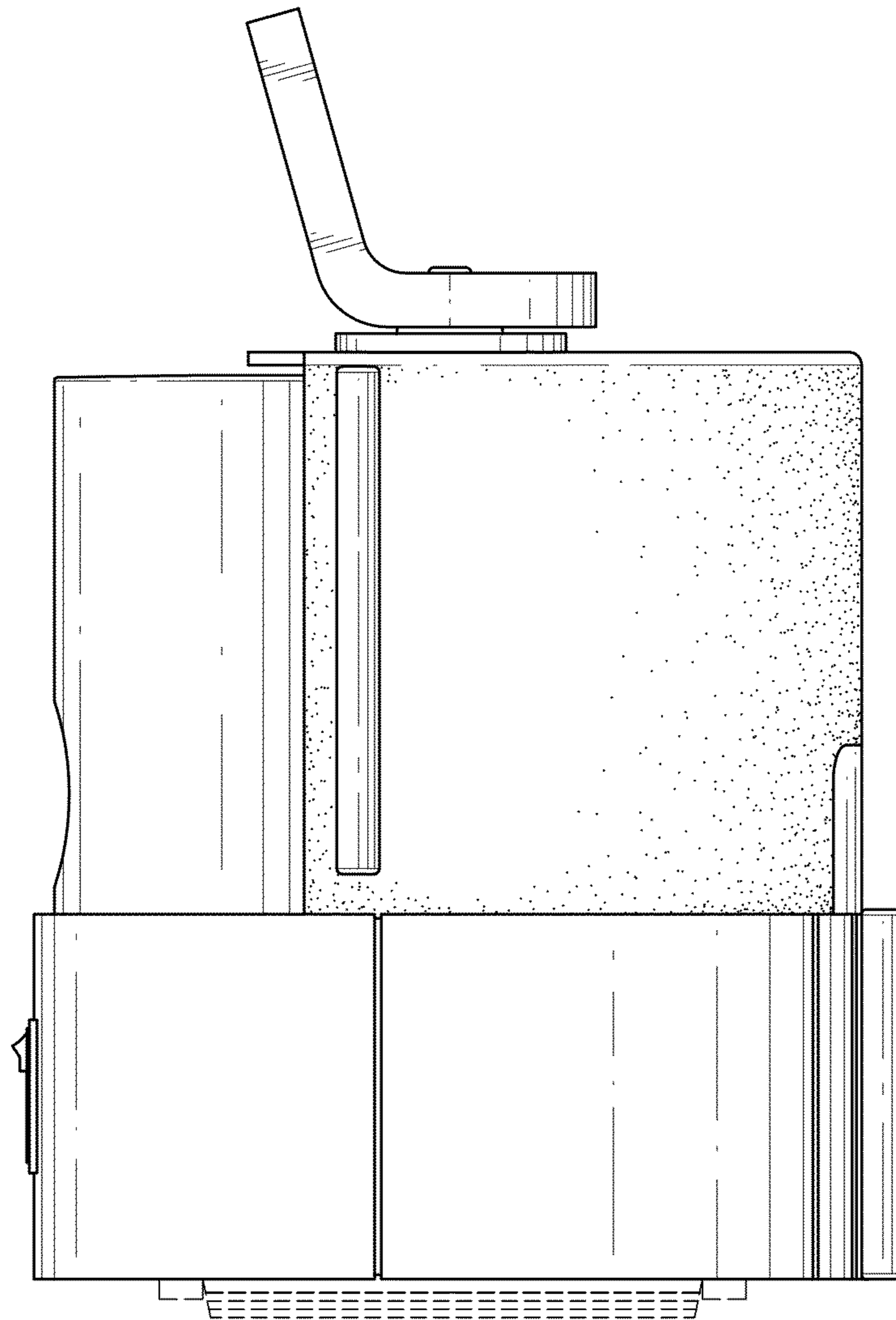


FIG. 4

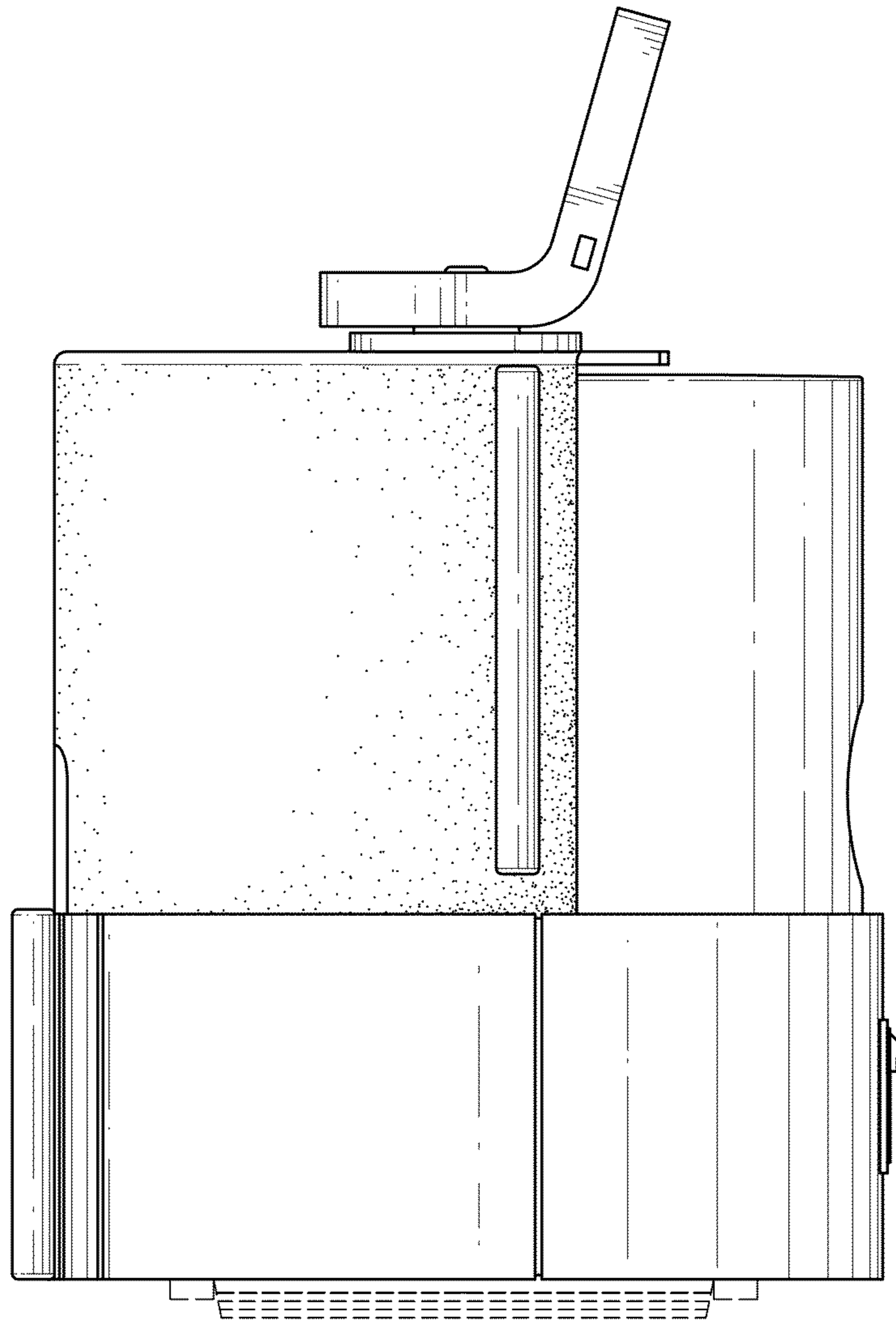


FIG. 5

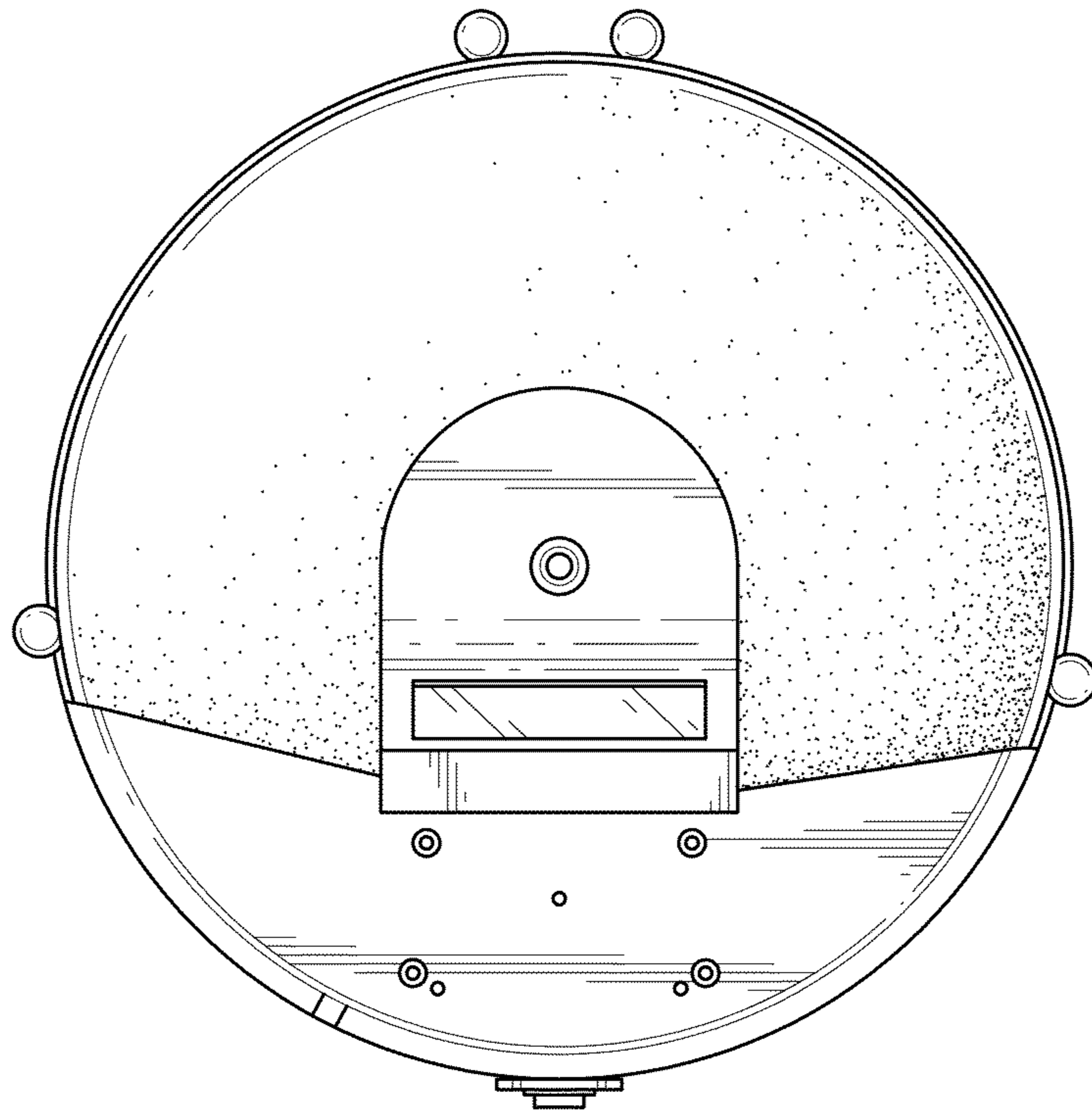


FIG. 6