

US00D697626S

(12) **United States Design Patent**
Laplante et al.

(10) **Patent No.:** **US D697,626 S**

(45) **Date of Patent:** **** *Jan. 14, 2014**

(54) **PATIENT MONITOR**

(71) Applicant: **Medtronic, Inc.**, Minneapolis, MN (US)

(72) Inventors: **Brandon J. Laplante**, Minneapolis, MN (US); **Richard O. Berg**, Maple Grove, MN (US); **Yatheendhar D. Manicka**, Woodbury, MN (US)

(73) Assignee: **Medtronic, Inc.**, Minneapolis, MN (US)

(*) Notice: This patent is subject to a terminal disclaimer.

(**) Term: **14 Years**

(21) Appl. No.: **29/436,195**

(22) Filed: **Nov. 2, 2012**

(51) **LOC (10) Cl.** **24-01**

(52) **U.S. Cl.**
USPC **D24/186**

(58) **Field of Classification Search**
USPC D24/107, 158, 164, 165, 167, 170,
D24/186-187, 231, 137-138, 169; 600/300,
600/301, 368, 372, 481, 529, 544, 554,
600/561; D10/81, 104.1; D14/137, 356
See application file for complete search history.

(56) **References Cited**

U.S. PATENT DOCUMENTS

D438,204 S * 2/2001 Winkler D14/356
D452,012 S * 12/2001 Phillips D24/186
D535,031 S * 1/2007 Barrett et al. D24/186

D536,793 S * 2/2007 Assad et al. D24/185
D551,769 S * 9/2007 Skwarek et al. D24/186
D554,266 S * 10/2007 Striepe et al. D24/186
D597,216 S * 7/2009 McGuigan et al. D24/216
D598,551 S * 8/2009 Miwa et al. D24/186
D609,351 S * 2/2010 Wagener et al. D24/186
D612,503 S * 3/2010 Johnston et al. D24/186
D621,515 S * 8/2010 Chua et al. D24/186
D676,136 S * 2/2013 Arimitsu D24/186

OTHER PUBLICATIONS

Manicka Declaration with Exhibits 1A-1G, 2A-2H, 3A-3F, 4A-4E, 5A-5D, 6A-6D and 7A-7E, Signed Feb. 1, 2013, 41 pages.

* cited by examiner

Primary Examiner — T. Chase Nelson

Assistant Examiner — Mark Cavanna

(57) **CLAIM**

The ornamental design for a patient monitor, as shown and described.

DESCRIPTION

FIG. 1 is a perspective view showing a new design for a patient monitor;

FIG. 2 is a side view thereof;

FIG. 3 is a side view thereof opposite the side view of FIG. 2;

FIG. 4 is a front view thereof;

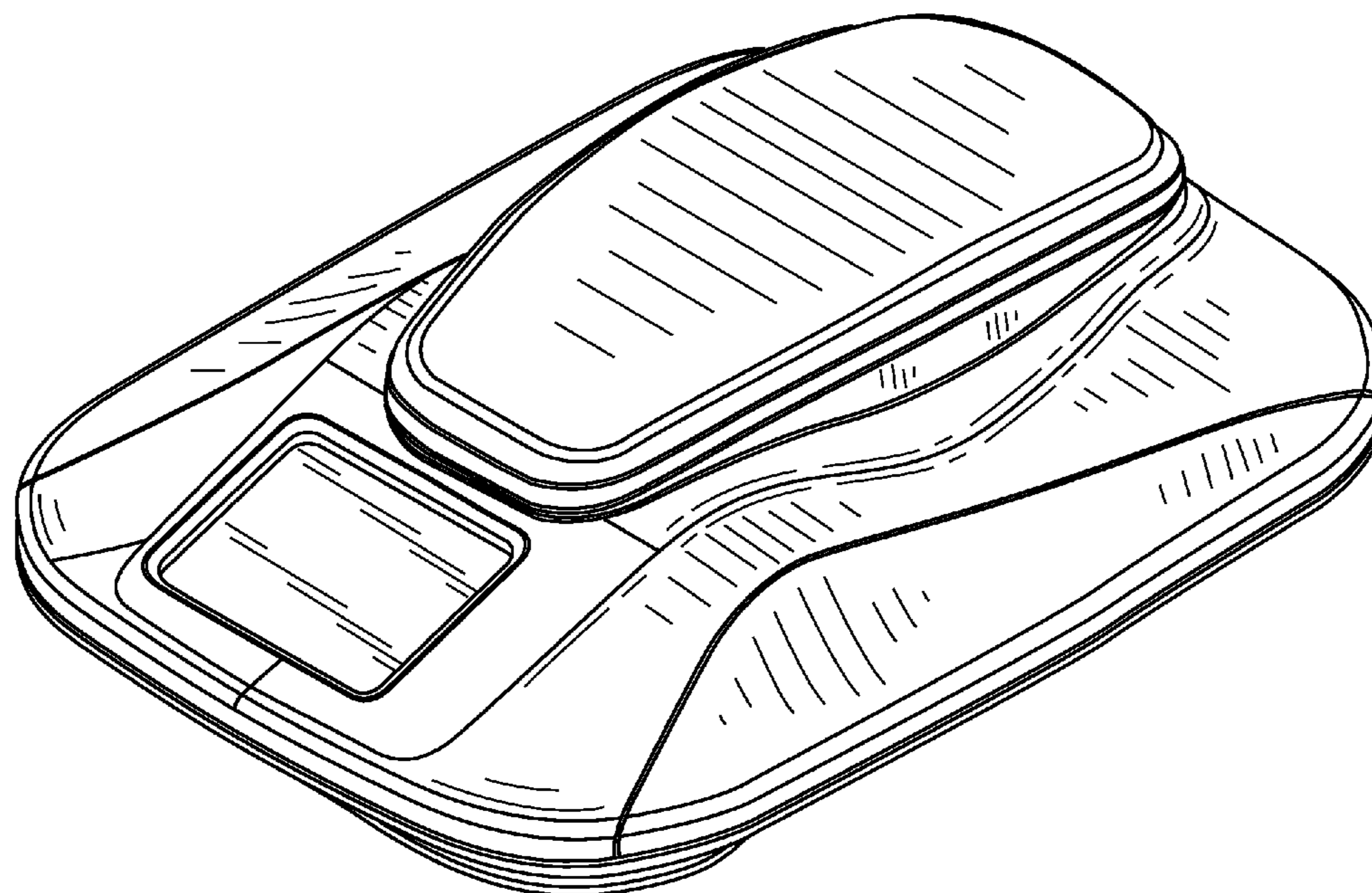
FIG. 5 is a rear view thereof;

FIG. 6 is a top view thereof; and,

FIG. 7 is a bottom view thereof.

The broken lines are included for the purpose of illustrating portions of the patient monitor that form no part of the claimed design.

1 Claim, 7 Drawing Sheets



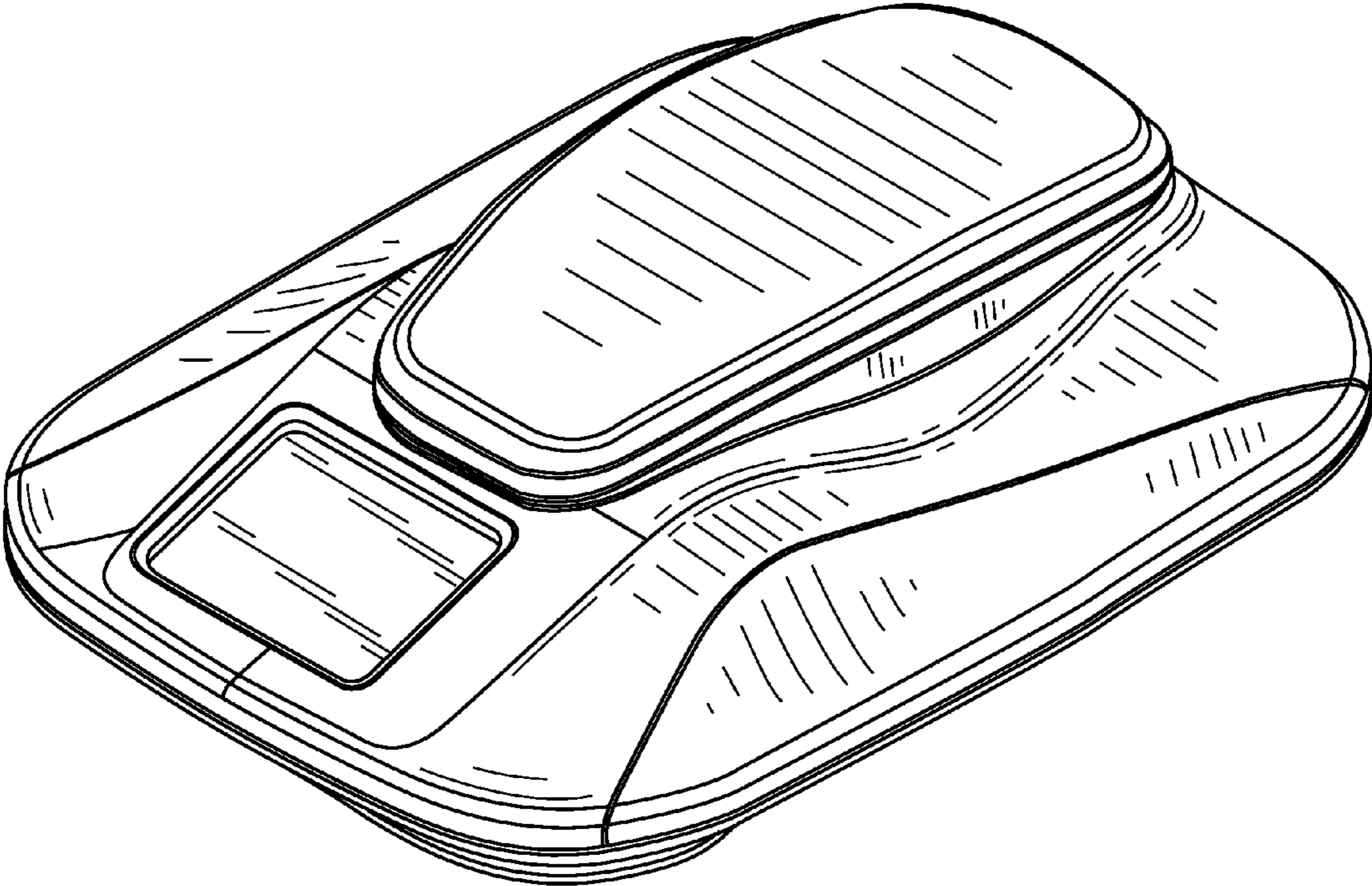


FIG. 1

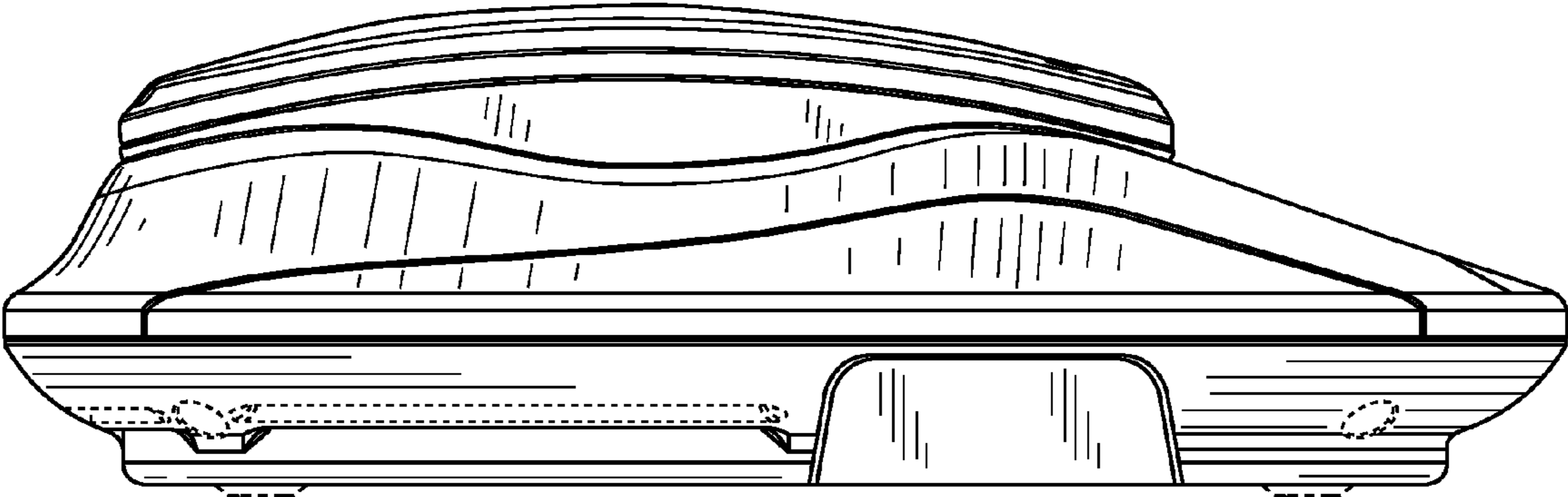


FIG. 2

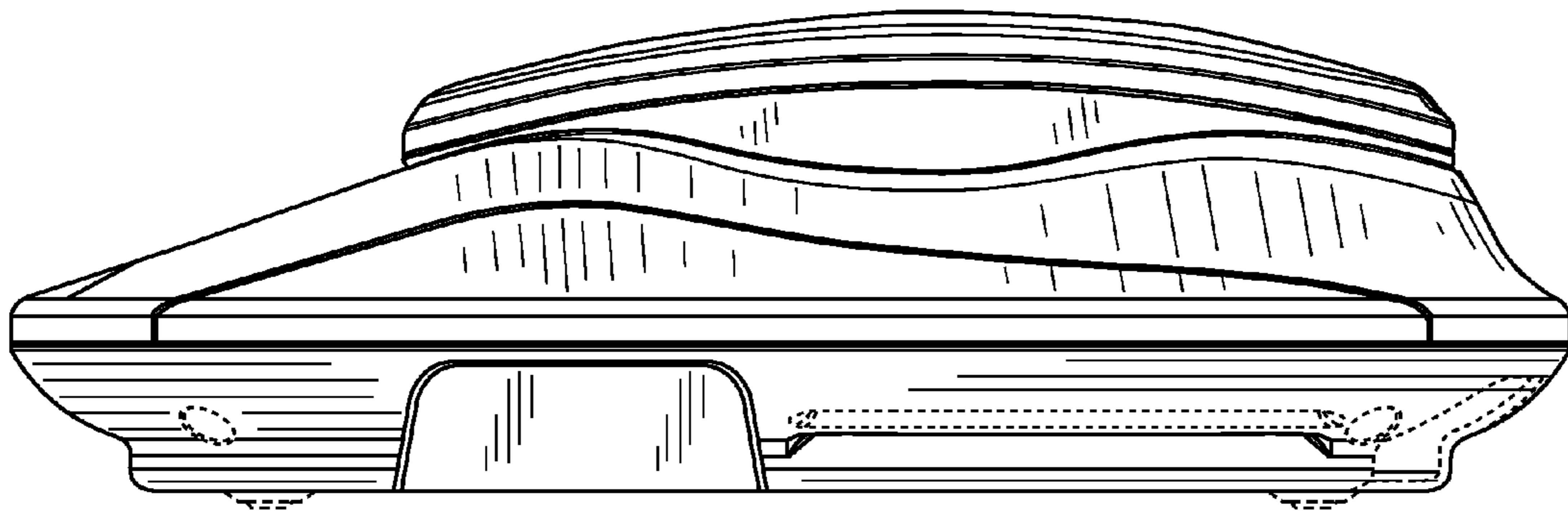


FIG. 3

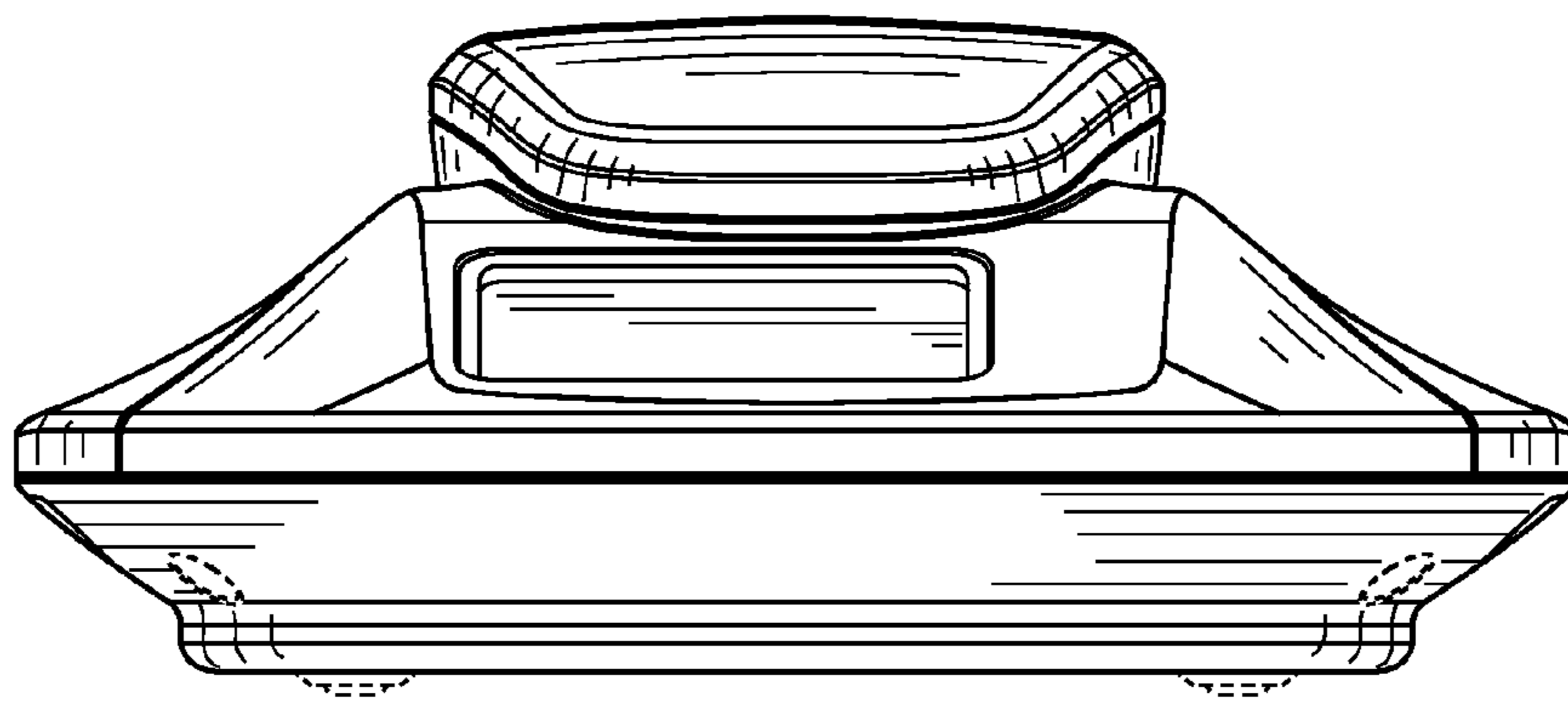


FIG. 4

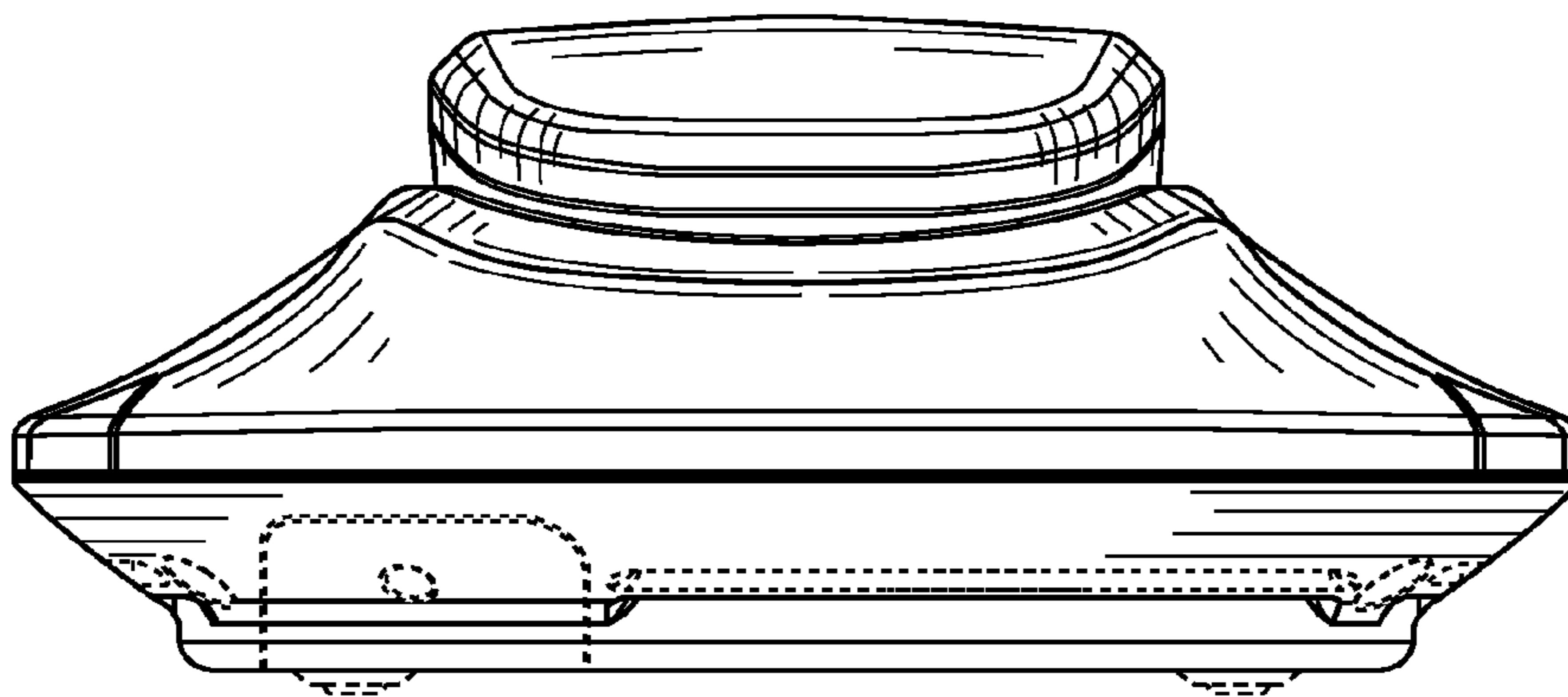


FIG. 5

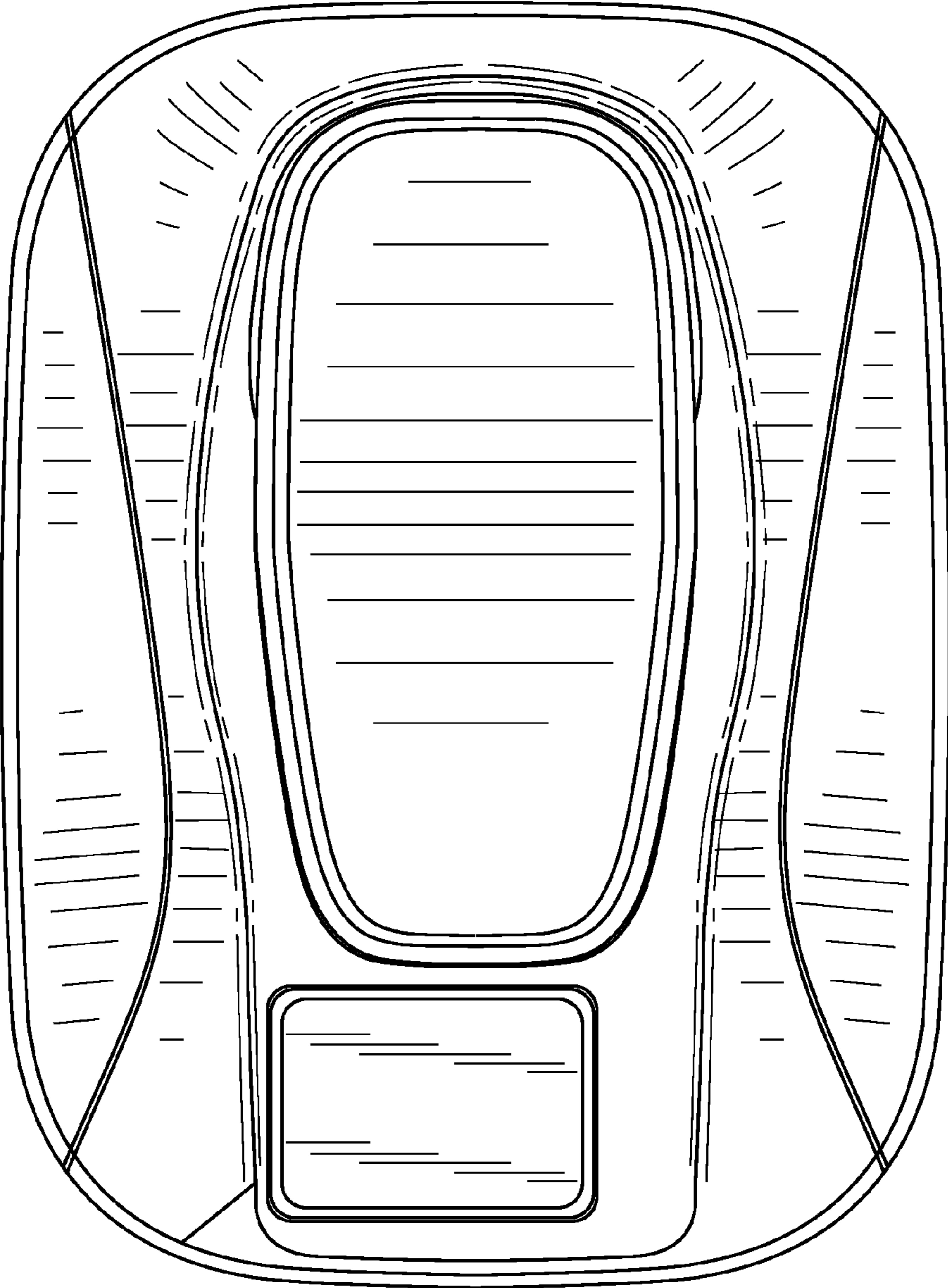


FIG. 6

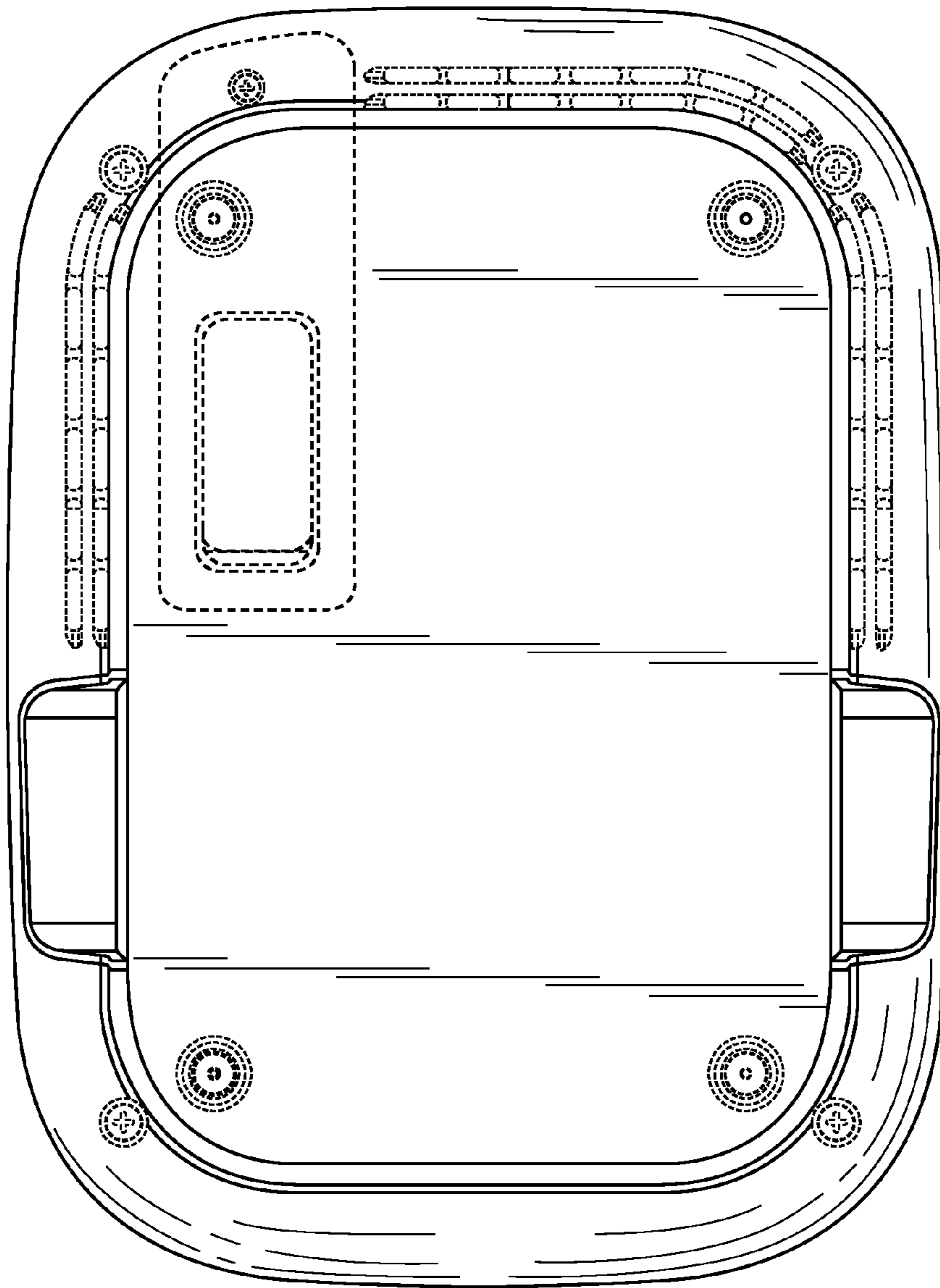


FIG. 7