



US00D697625S

(12) **United States Design Patent**
Montgomery et al.

(10) **Patent No.:** **US D697,625 S**
(45) **Date of Patent:** **** Jan. 14, 2014**

- (54) **DESKTOP DIAGNOSTIC DEVICE**
- (75) Inventors: **Stephen A. Montgomery**, Virginia (IE);
James J. Shortt, Trim (IE); **Michael McAtamney**, Navan (IE); **Lai He**, Shanghai (CN); **Yun Zou**, Baulkham Hills (AU); **Mathew Bates**, Deansgrange (IE); **David Fleming**, Delgany (IE); **Marten Helwig**, Greystones (IE)
- (73) Assignee: **Welch Allyn, Inc.**, Skaneateles Falls, NY (US)
- (**) Term: **14 Years**
- (21) Appl. No.: **29/407,593**
- (22) Filed: **Nov. 30, 2011**
- (51) **LOC (10) Cl.** **24-01**
- (52) **U.S. Cl.**
USPC **D24/186**
- (58) **Field of Classification Search**
USPC D24/107-108, 111, 128, 158, 160, D24/185-186, 231, 232, 169, 217, 200, D24/227; 128/915-916, 922, 660.01, 128/660.02, 660.03, 660.07, 904; 600/437-457; 248/918; D10/52, 80; 604/31, 65, 67; D13/108
See application file for complete search history.

- (56) **References Cited**
U.S. PATENT DOCUMENTS
- 5,376,070 A * 12/1994 Purvis et al. 604/31
- 5,871,465 A * 2/1999 Vasko 604/65
- D434,142 S * 11/2000 Cheney et al. D24/180
- D446,854 S * 8/2001 Cheney et al. D24/111
- D452,564 S * 12/2001 Micinski et al. D24/169
- 6,435,109 B1 8/2002 Dell et al.
- D504,726 S * 5/2005 Ryan D24/200
- D511,008 S * 10/2005 Ryan D24/186

D516,026	S	*	2/2006	Barrett et al.	D24/186
D547,863	S	*	7/2007	Heinsch	D24/128
D554,759	S	*	11/2007	Barker	D24/186
D569,981	S	*	5/2008	Collins	D24/186
D577,118	S	*	9/2008	Yodfat et al.	D24/111
D601,258	S	*	9/2009	Bell et al.	D24/169
D601,259	S	*	9/2009	Guthrie et al.	D24/169
D604,418	S	*	11/2009	Jones et al.	D24/165
D617,911	S	*	6/2010	Freeman et al.	D24/227
D625,014	S	*	10/2010	Hansen et al.	D24/186
D625,015	S	*	10/2010	Hansen et al.	D24/186
D642,279	S	*	7/2011	Barker et al.	D24/186
D642,691	S	*	8/2011	Barker et al.	D24/186
2008/0281167	A1		11/2008	Soderberg et al.		
2011/0022748	A1		1/2011	Edwards et al.		

OTHER PUBLICATIONS

ADC Complete 2.5v Instrument Set, copyright 2010 Redding Medical™ Equipment, 2 pages.

(Continued)

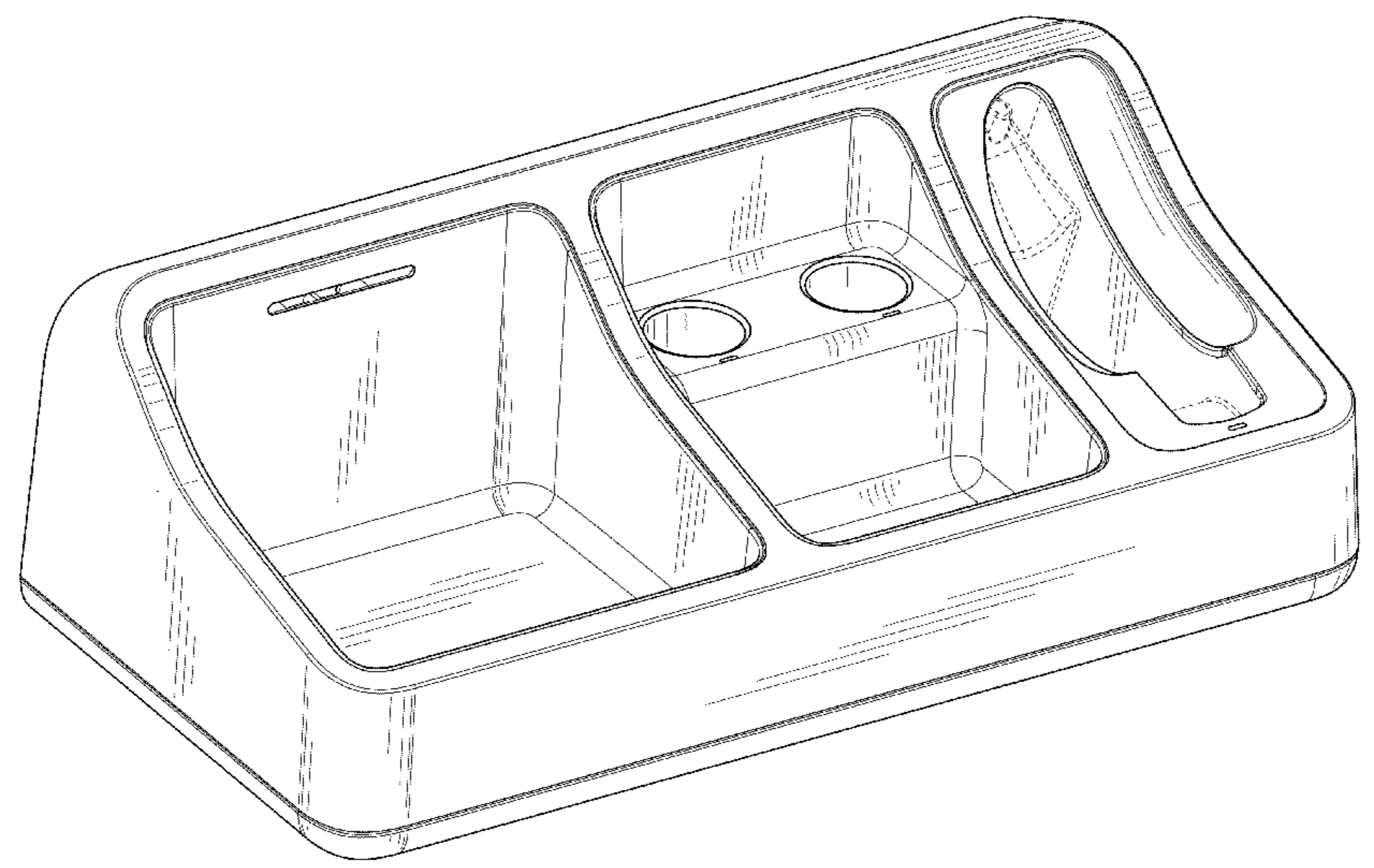
Primary Examiner — T. Chase Nelson
Assistant Examiner — Mark Cavanna
(74) *Attorney, Agent, or Firm* — Merchant & Gould P.C.

(57) **CLAIM**
The ornamental design for a desktop diagnostic device, as shown and described.

DESCRIPTION

FIG. 1 is a front perspective view of a desktop diagnostic system.
FIG. 2 is a rear perspective view thereof.
FIG. 3 is a front view thereof.
FIG. 4 is a top view thereof.
FIG. 5 is a bottom view thereof.
FIG. 6 is a first side view thereof; and,
FIG. 7 is a second side view thereof.
The broken lines are included for the purpose of illustrating environment and form no part of the claimed design.

1 Claim, 6 Drawing Sheets



(56)

References Cited

OTHER PUBLICATIONS

Basic Medical Student Package #1, copyright 2010 Redding Medical™ Equipment, 2 pages.

Keeler Practitioner Otoscope and Ophthalmoscope Desk Set, copyright 2011 Williams Medical Supplies, Ltd., 1 page.

Medical Student Clinical Medical Equipment Starter Kit, copyright 2005-2011, 3 pages.

Riester Ri-Mini Otoscope & Ophthalmoscope Combination Kit, copyright 1995-2011 Steele Supply Company, 1 page.

U.S. Appl. No. 13/308,480, filed Nov. 30, 2011.

Welch Allyn Extended Care Catalog, copyright 2011 Welch Allyn, 10 pages.

* cited by examiner

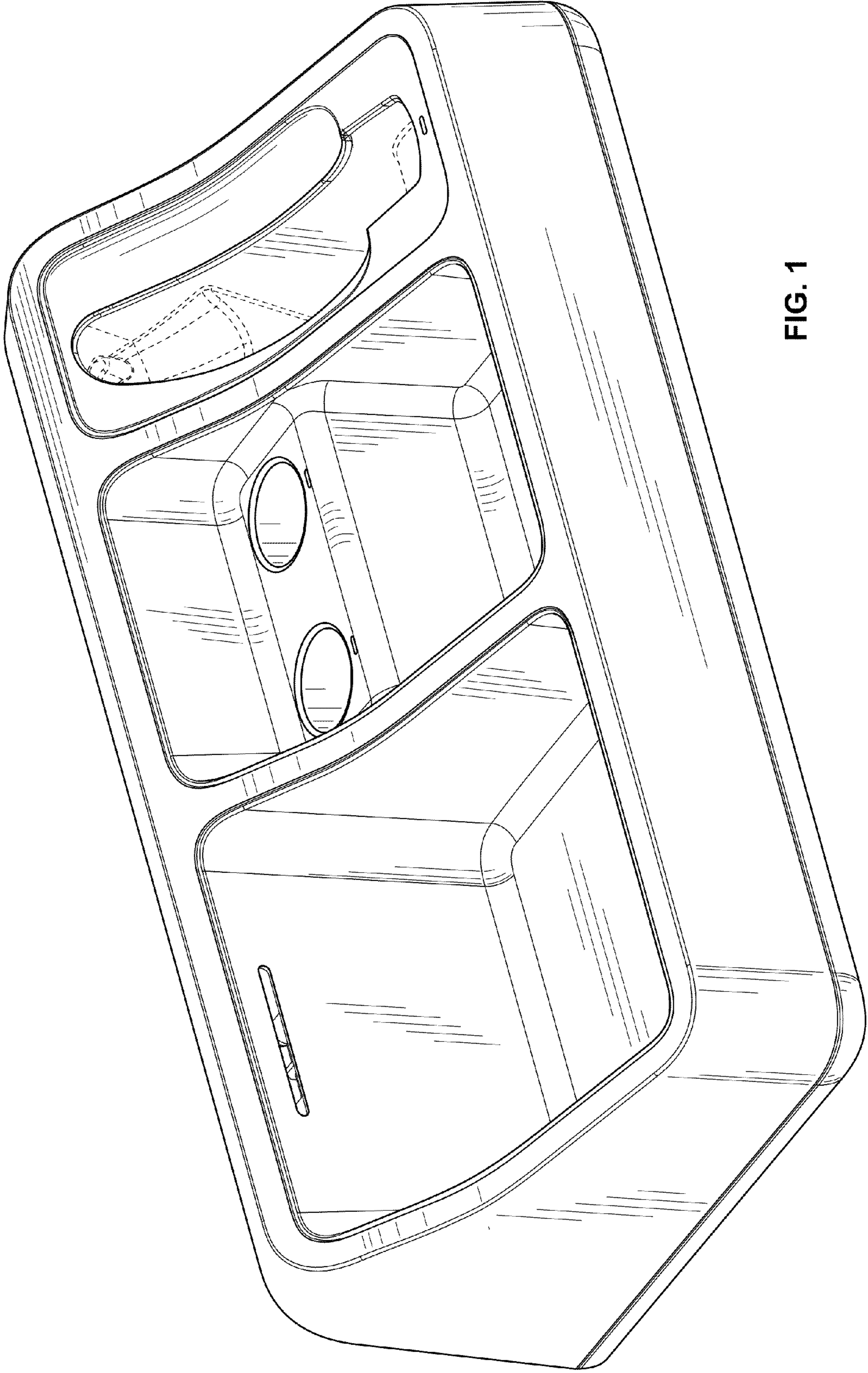


FIG. 1

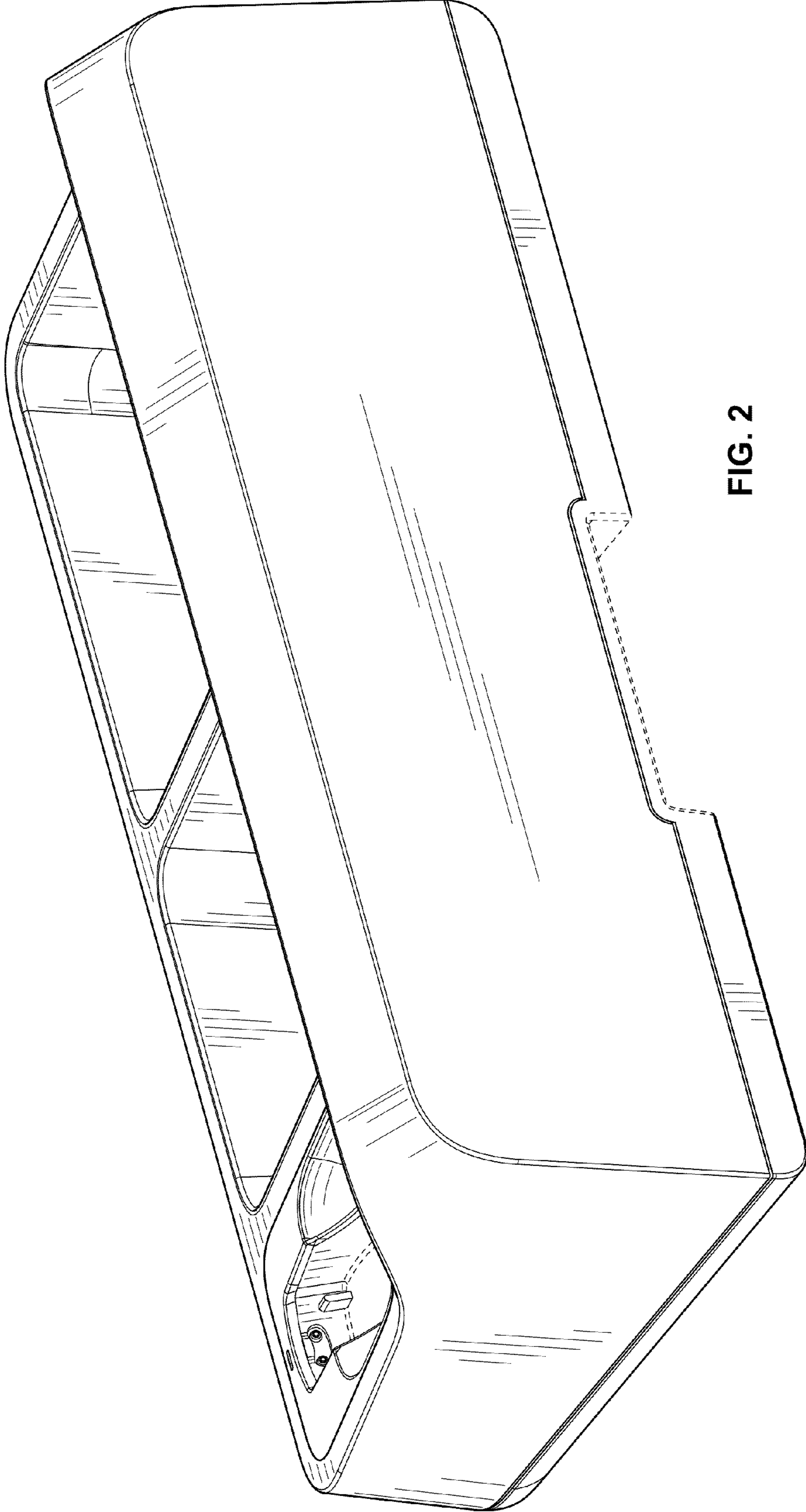


FIG. 2

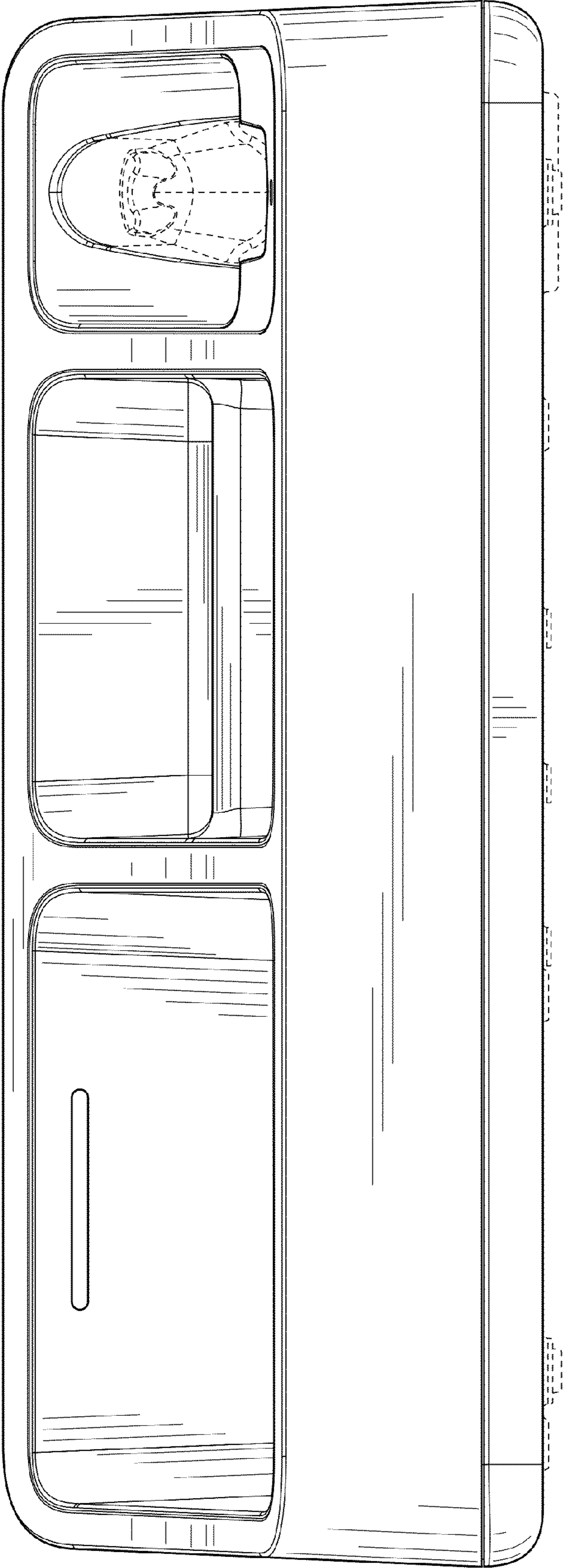


FIG. 3

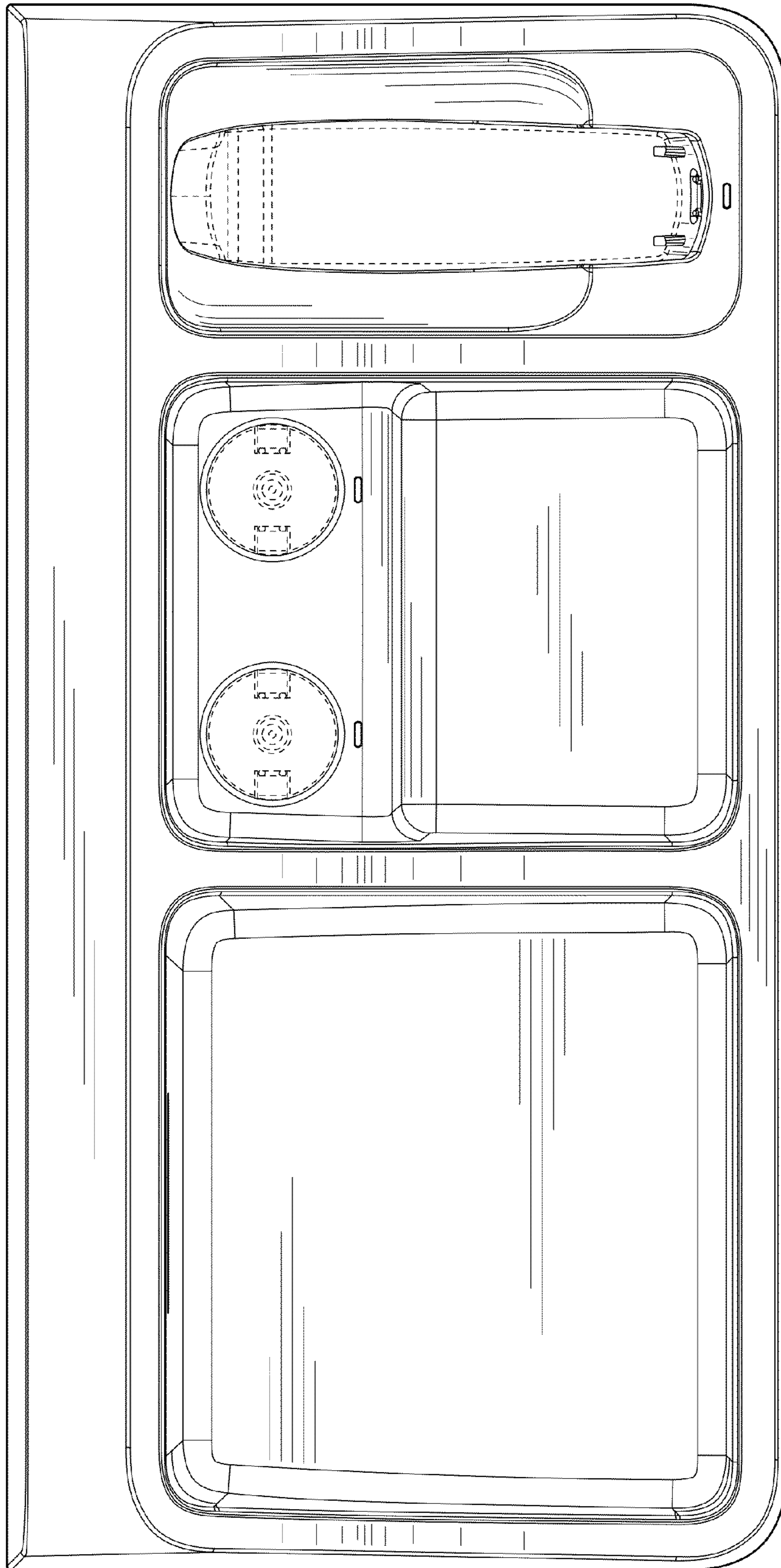


FIG. 4

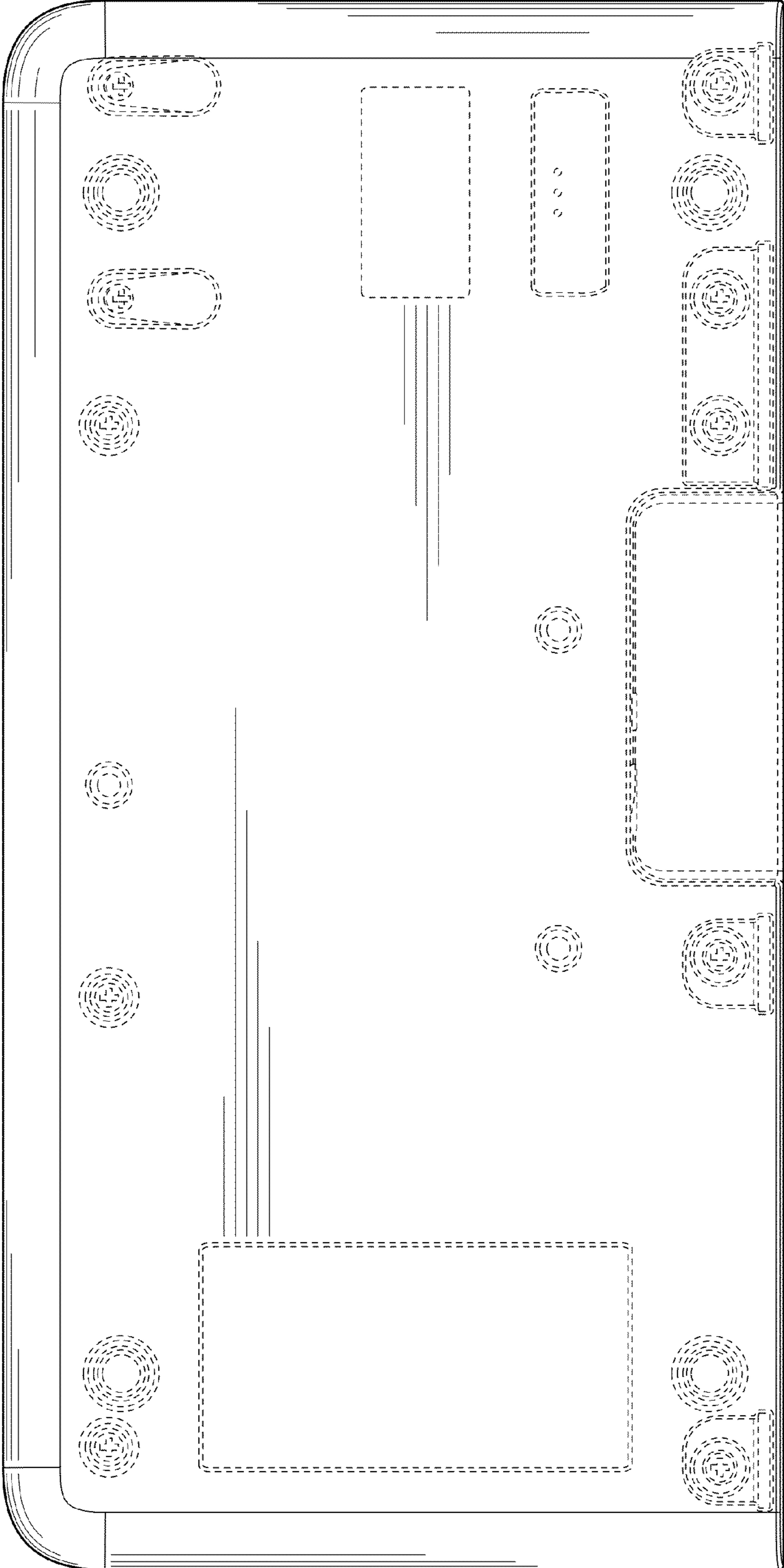


FIG. 5

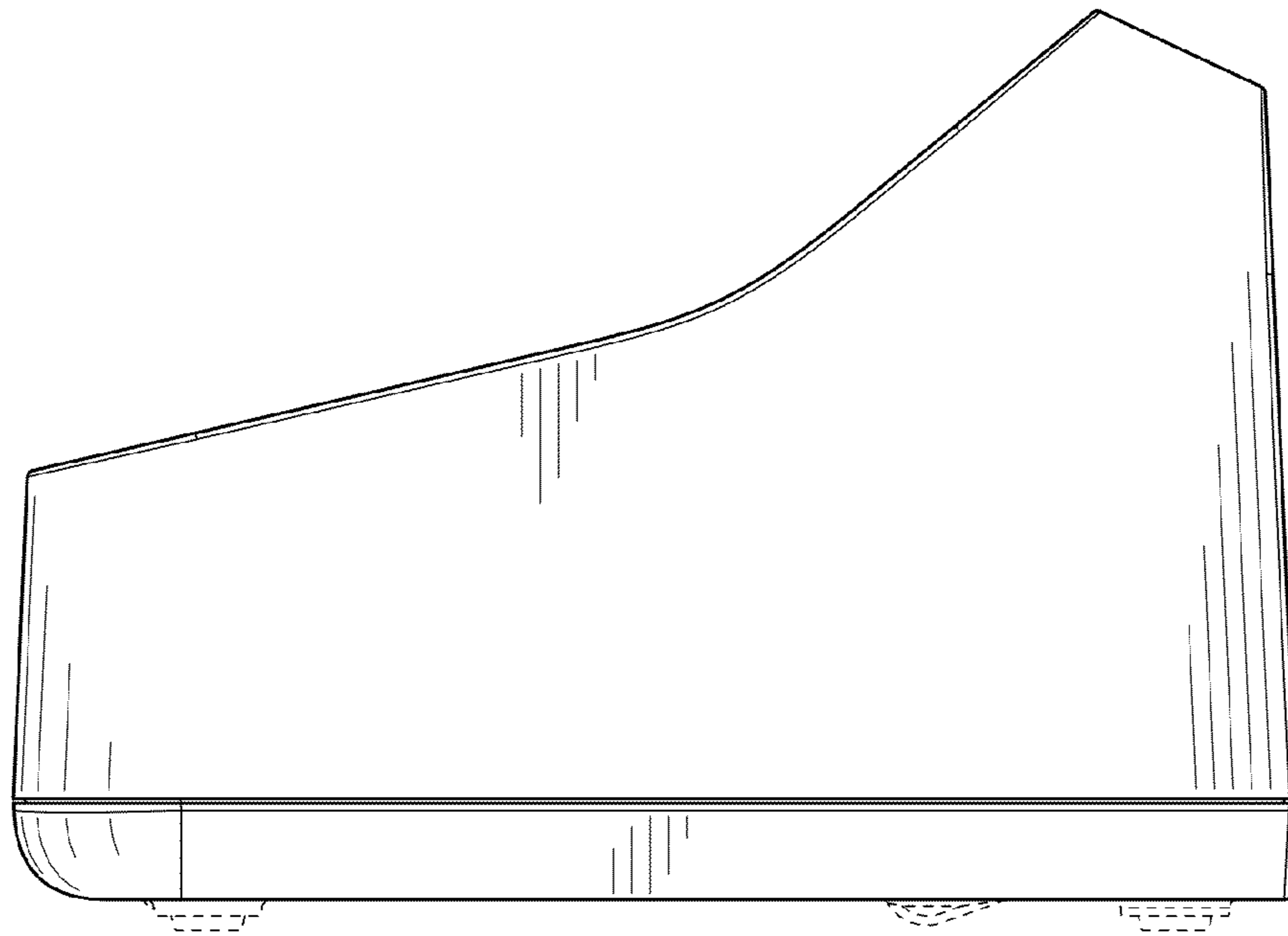


FIG. 6

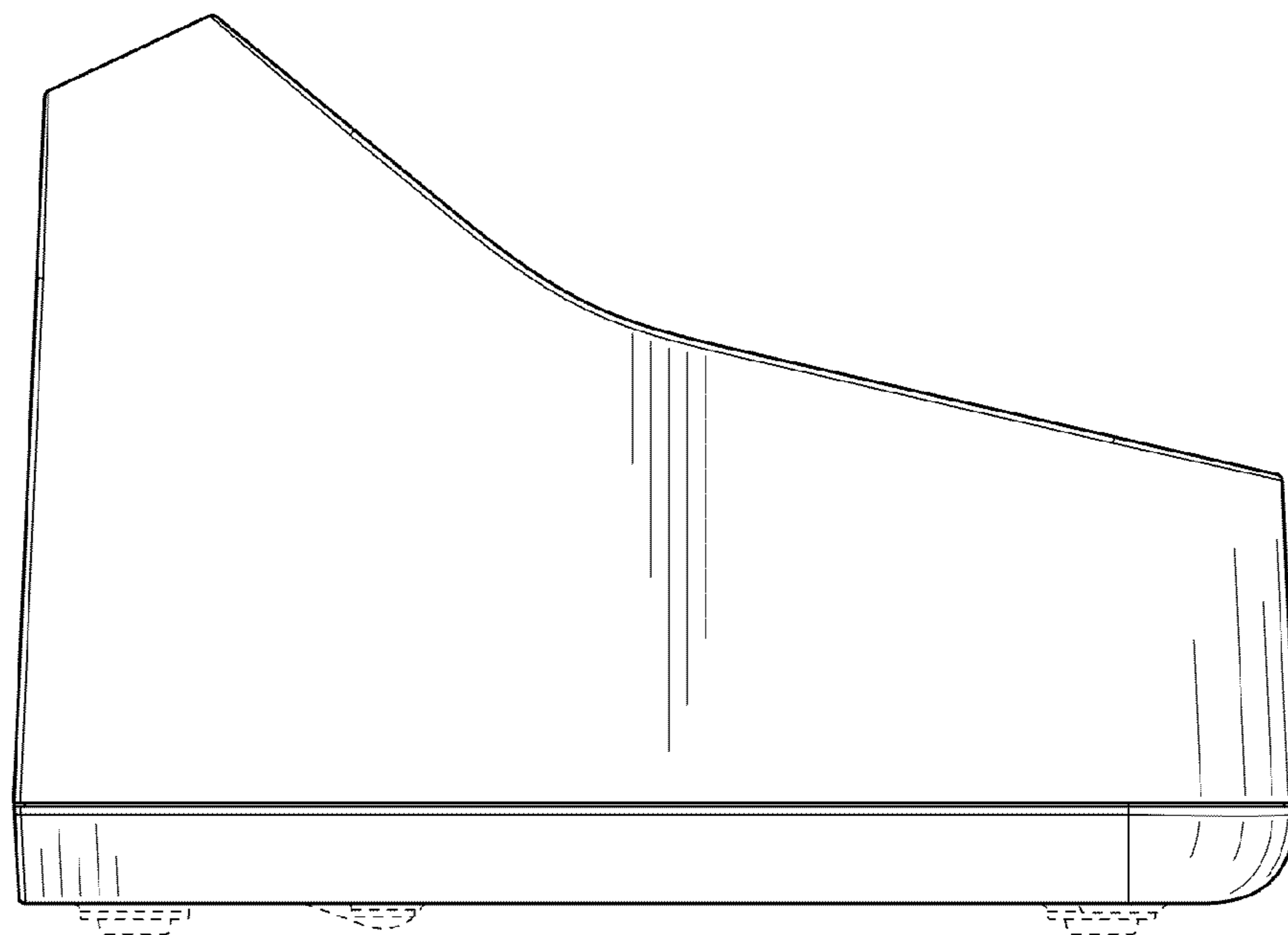


FIG. 7