



US00D697624S

(12) **United States Design Patent**
Bausback

(10) **Patent No.:** **US D697,624 S**
(45) **Date of Patent:** **** Jan. 14, 2014**

(54) **DENTAL DEVICE**

(71) Applicant: **Ferton Holding S.A.**, Delemont (CH)

(72) Inventor: **Christiane Bausback**, Munich (DE)

(73) Assignee: **Ferton Holding S.A.**, Delemont (CH)

(**) Term: **14 Years**

(21) Appl. No.: **29/446,682**

(22) Filed: **Feb. 26, 2013**

(30) **Foreign Application Priority Data**

Dec. 21, 2012 (WO) DM/079 937

(51) **LOC (10) Cl.** **24-02**

(52) **U.S. Cl.**
USPC **D24/177**

(58) **Field of Classification Search**
USPC D24/176-177, 152, 169; 433/25, 28,
433/32, 80, 83-88, 229
See application file for complete search history.

(56) **References Cited**

U.S. PATENT DOCUMENTS

D282,485 S * 2/1986 Buhner D24/177
D394,706 S * 5/1998 Pate D24/176
6,030,212 A * 2/2000 Schuman et al. 433/80
D433,137 S * 10/2000 Pollock et al. D24/176

D434,500 S * 11/2000 Pollock et al. D24/176
D476,743 S * 7/2003 D'Silva et al. D24/177
D513,322 S * 12/2005 Jackson et al. D24/176
D615,656 S * 5/2010 Leidl D24/176
D622,397 S * 8/2010 Bukoski D24/177
D661,399 S * 6/2012 Wang D24/176

FOREIGN PATENT DOCUMENTS

KR 300411701.0000 * 4/2006

* cited by examiner

Primary Examiner — Wan Laymon

(74) *Attorney, Agent, or Firm* — Arent Fox LLP

(57) **CLAIM**

The ornamental design for a dental device, as shown and described.

DESCRIPTION

FIG. 1 is a perspective view of a dental device showing my new design;

FIG. 2 is a front view of the design shown in FIG. 1;

FIG. 3 is a rear view of the design shown in FIG. 1;

FIG. 4 is a left side view of the design shown in FIG. 1;

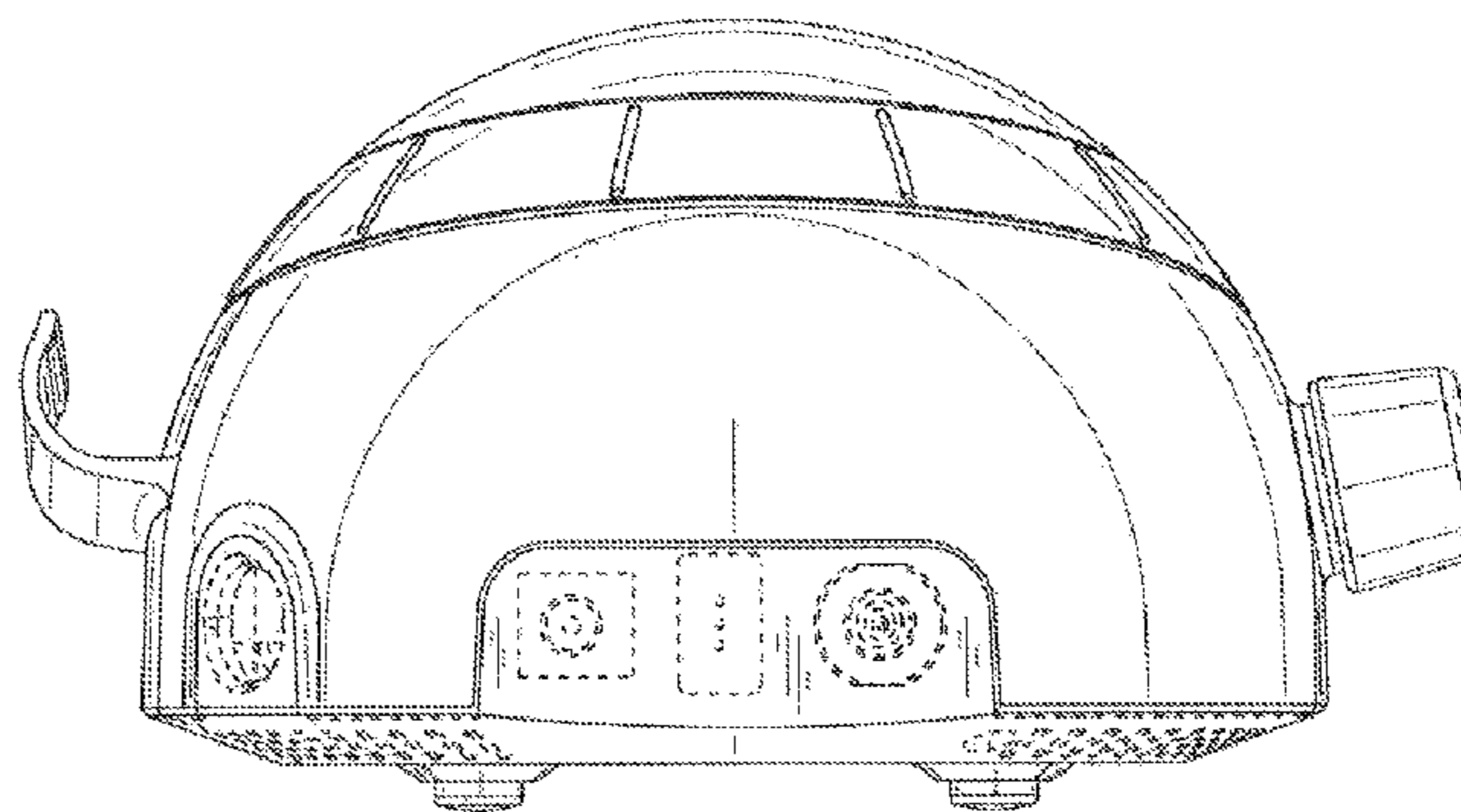
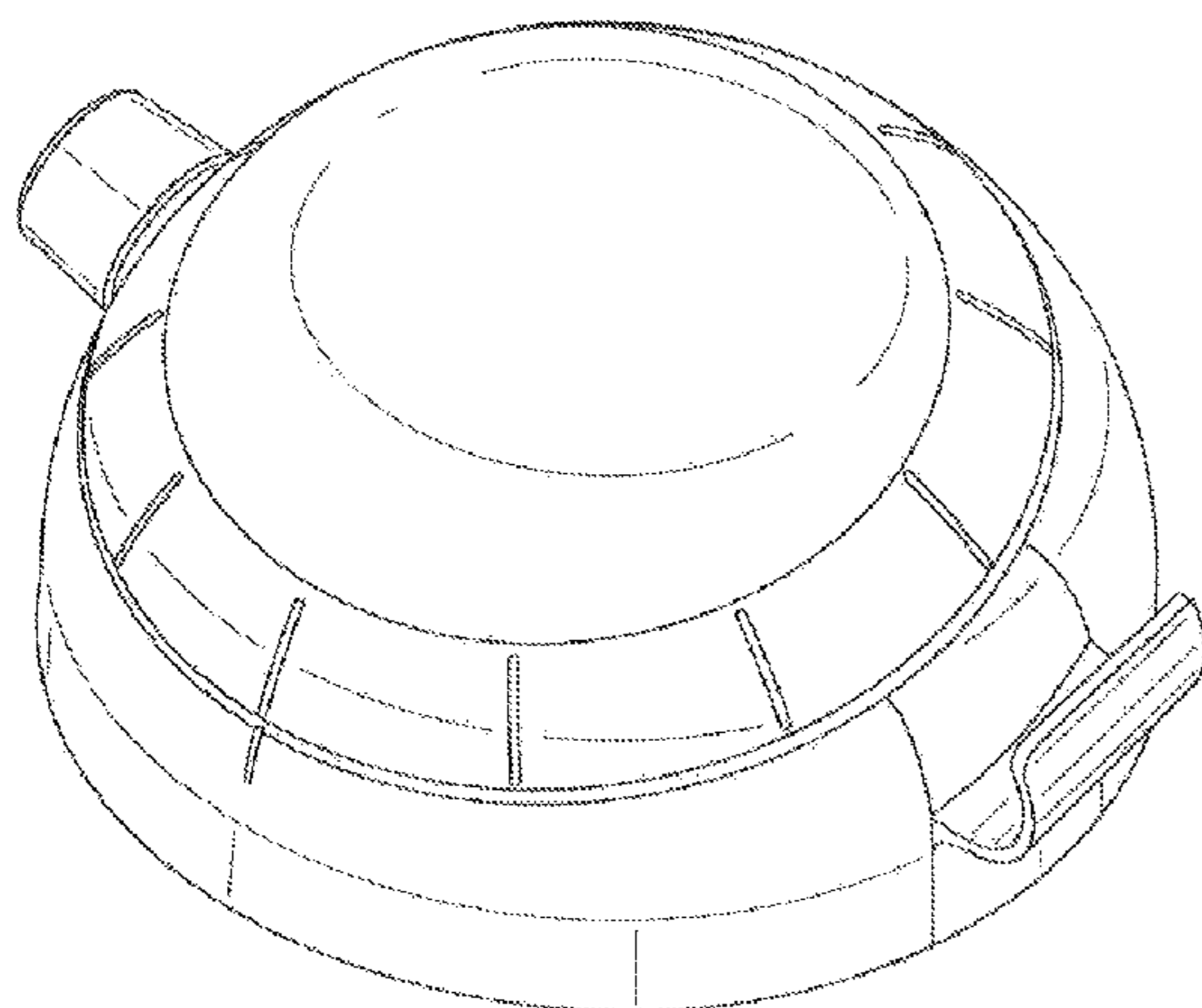
FIG. 5 is a right side view of the design shown in FIG. 1;

FIG. 6 is a top view of the design shown in FIG. 1; and,

FIG. 7 is a bottom view of the design shown in FIG. 1.

The portions of the dental device illustrated with broken lines in the drawings form no part of the claimed design.

1 Claim, 7 Drawing Sheets



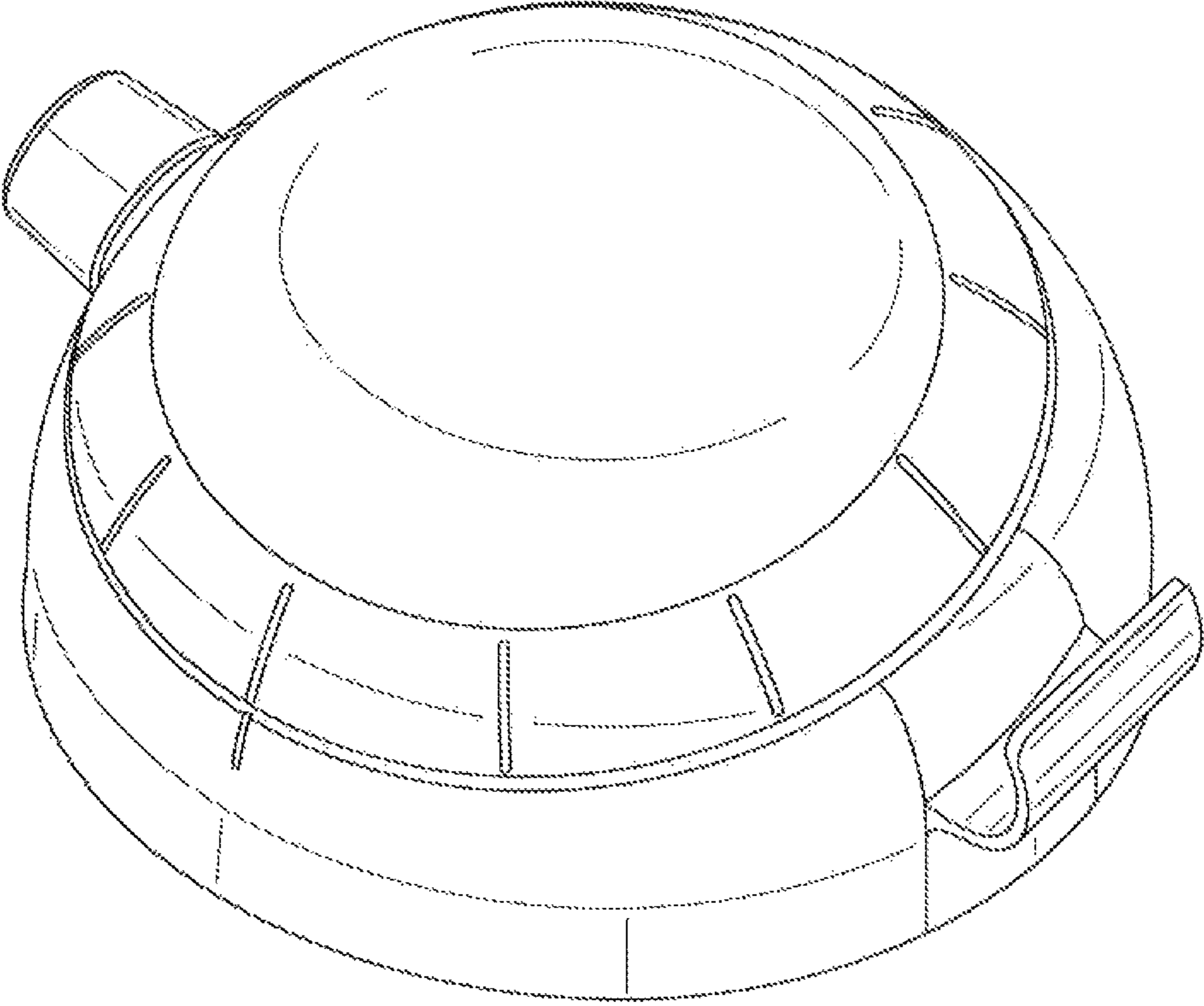


FIG. 1

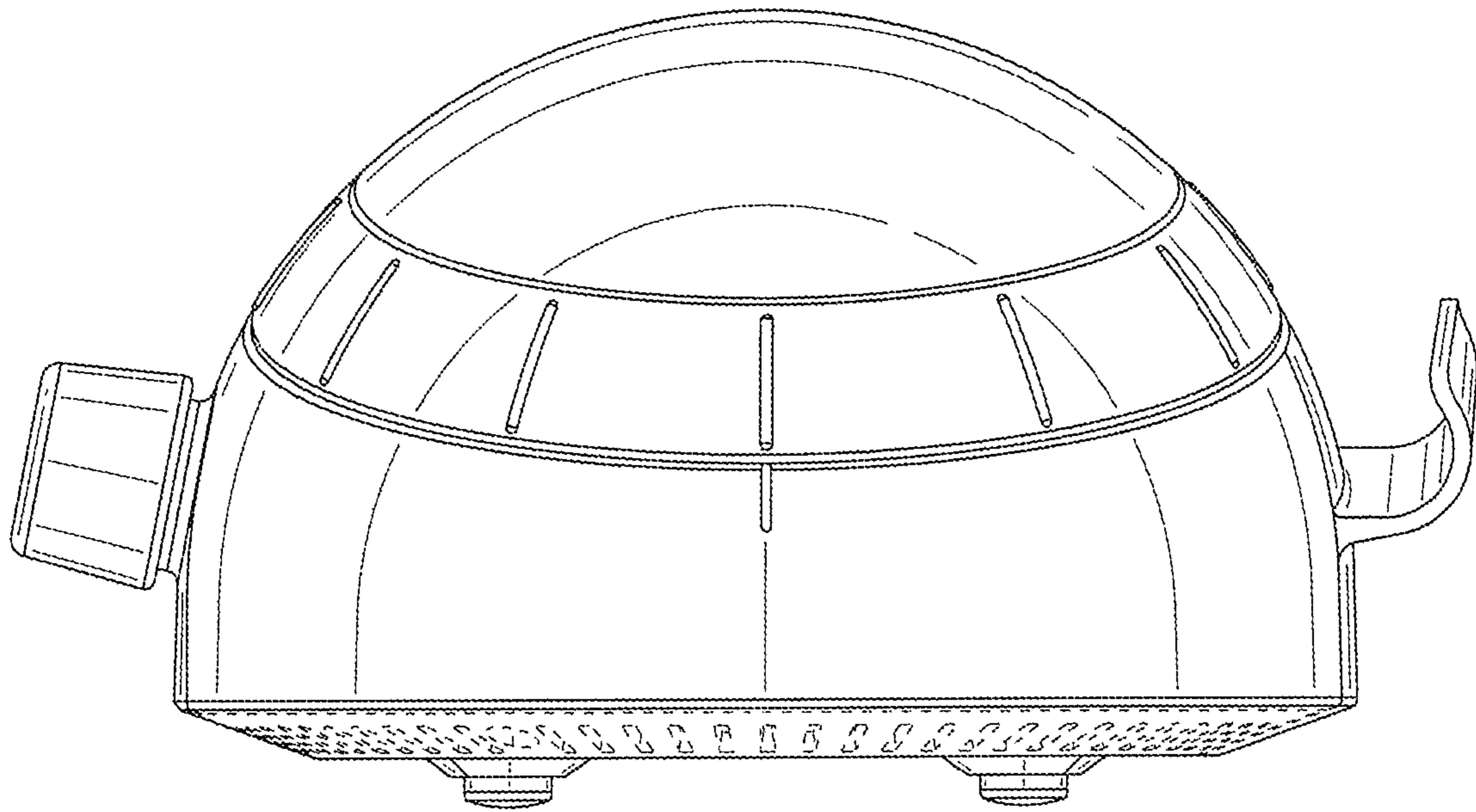


FIG.2

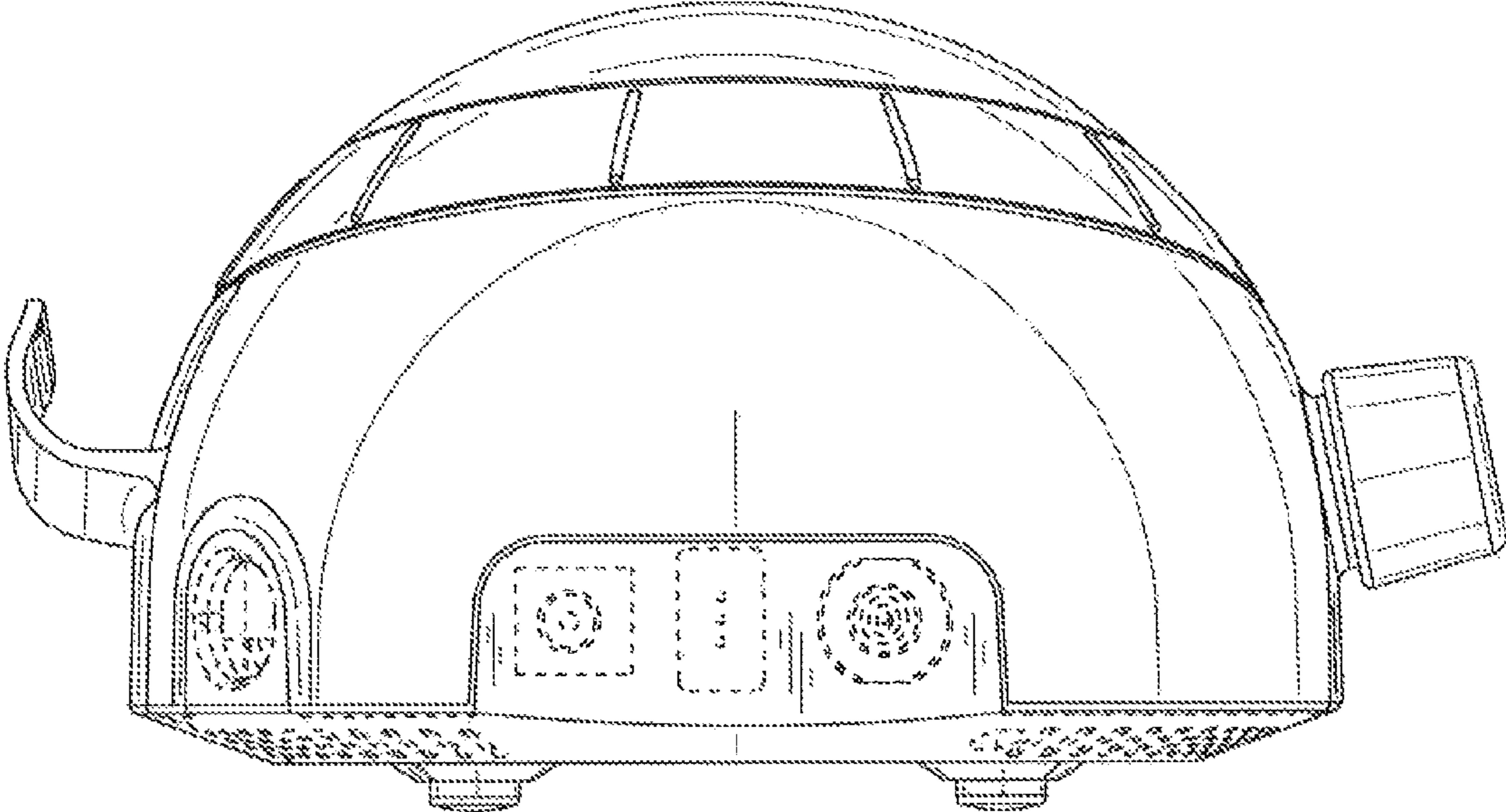


FIG. 3

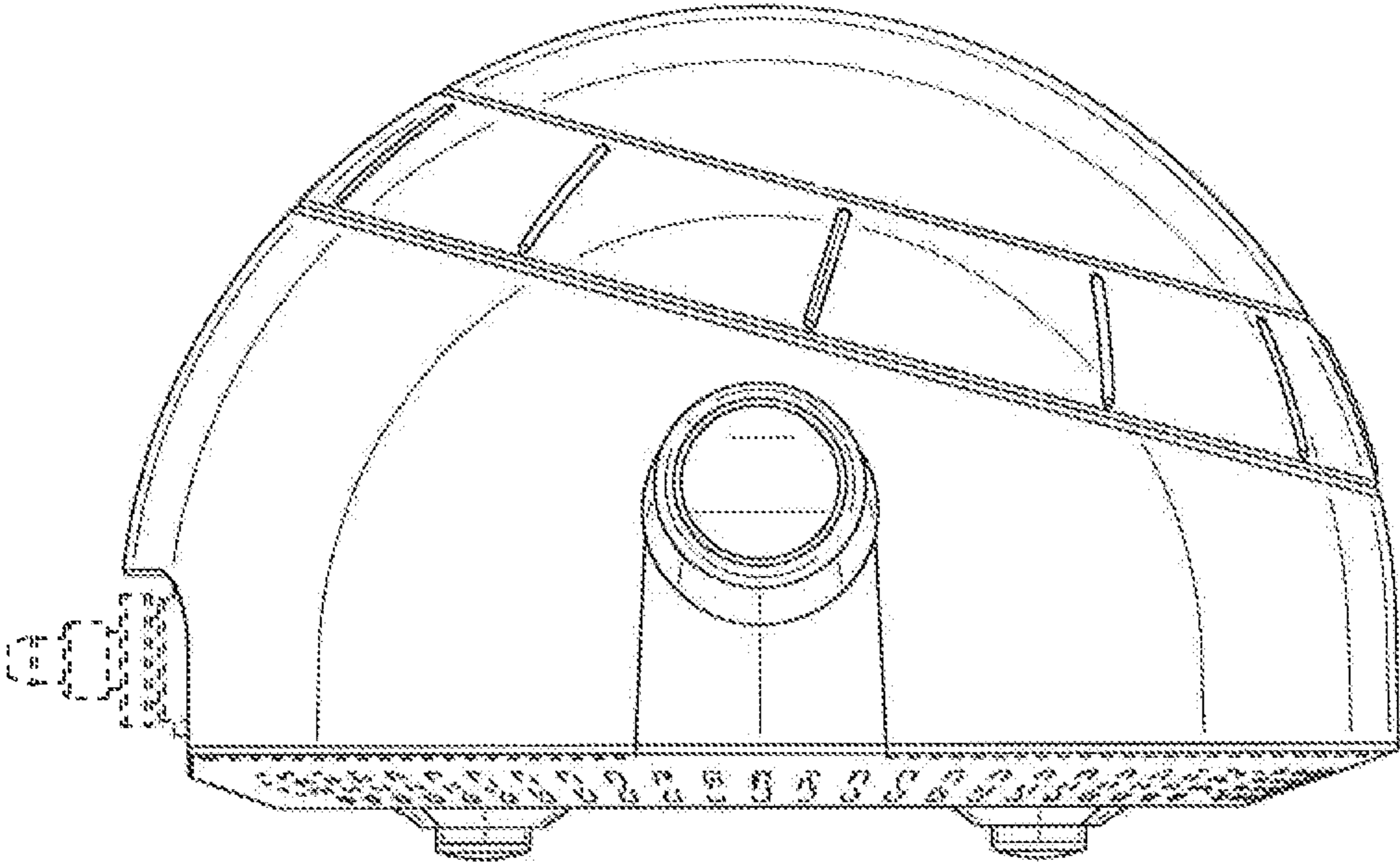


FIG.4

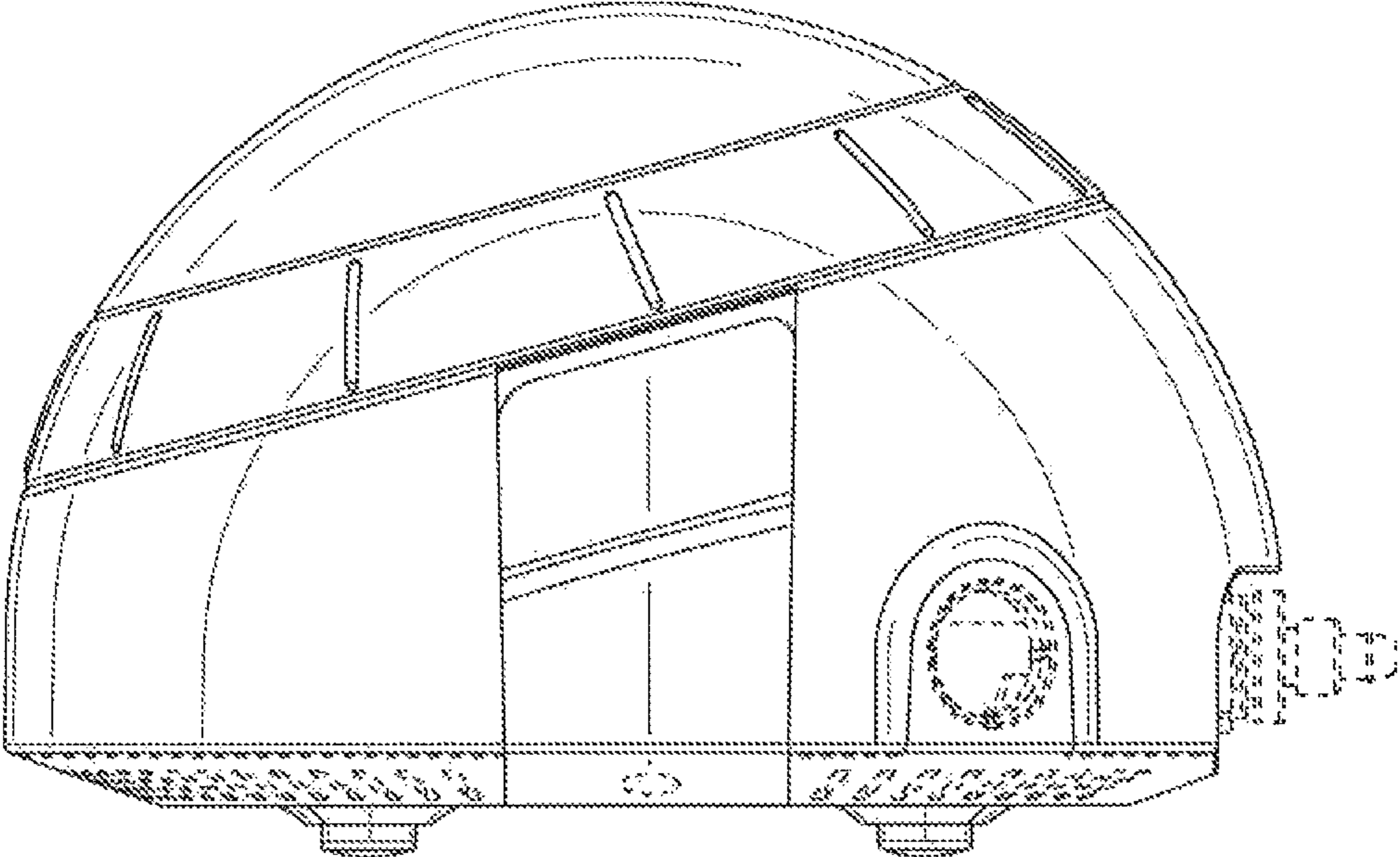


FIG.5

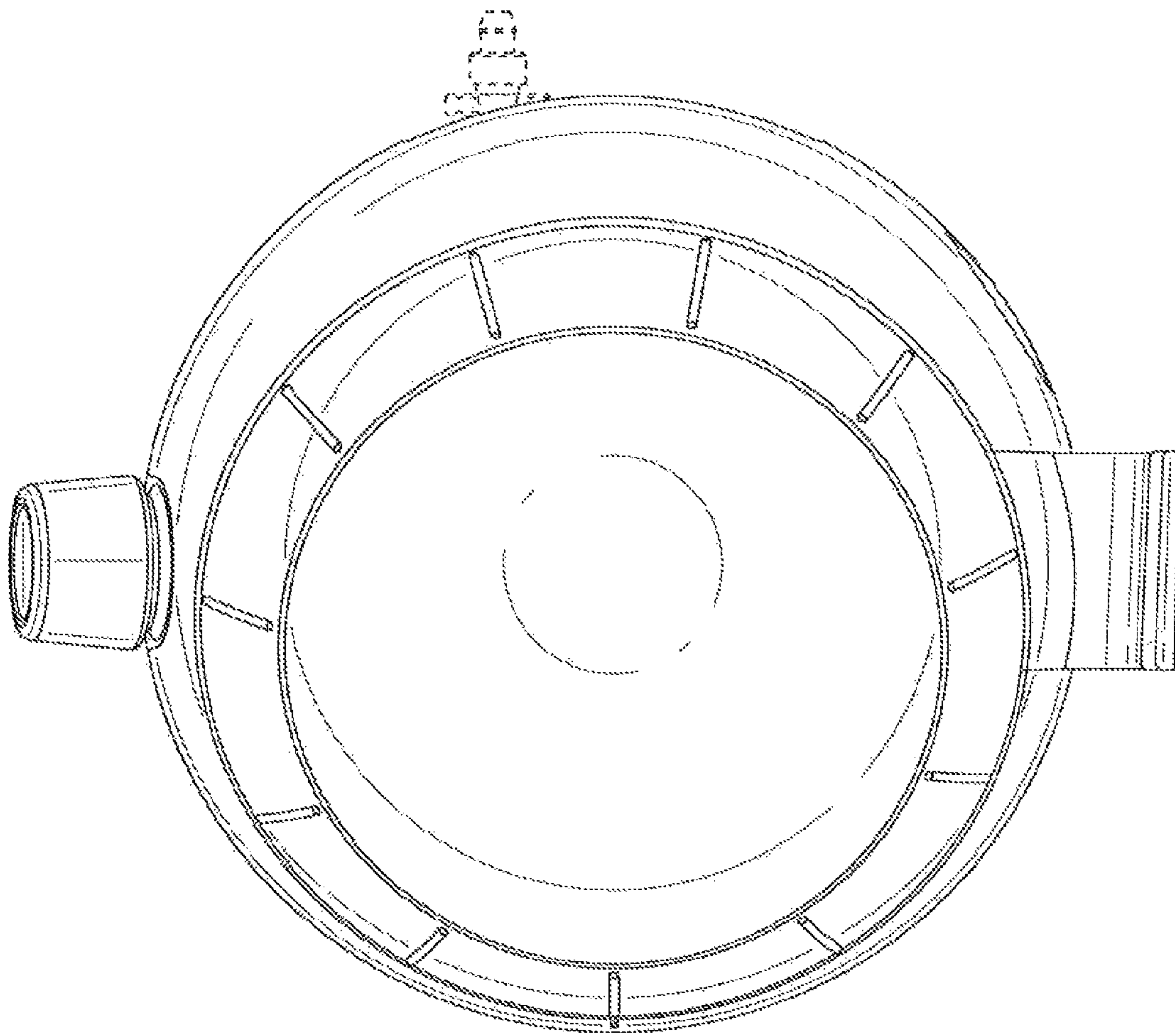


FIG.6

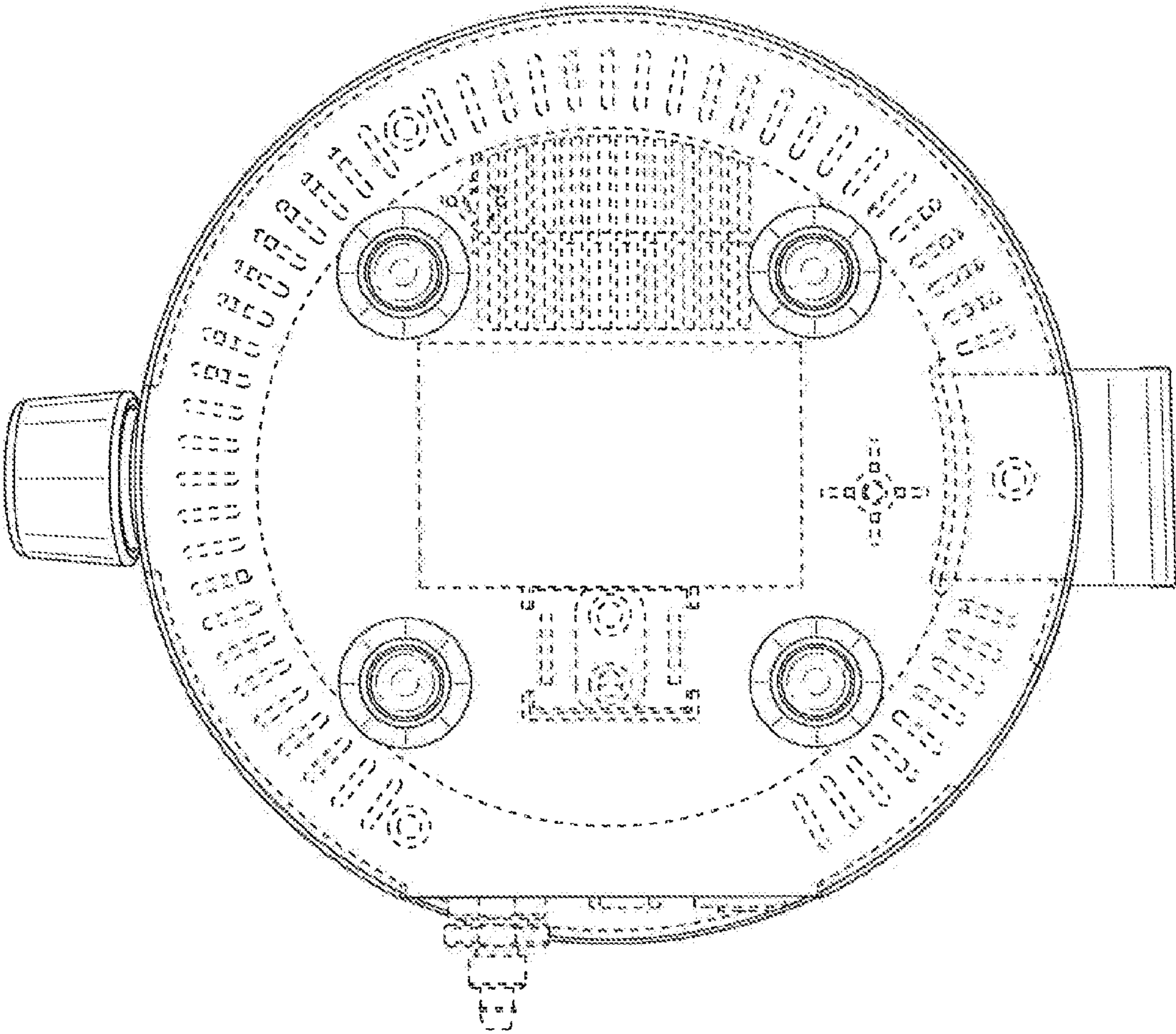


FIG.7