



US00D697623S

(12) **United States Design Patent**
Shibata et al.

(10) **Patent No.:** **US D697,623 S**
(45) **Date of Patent:** **** Jan. 14, 2014**

(54) **SPHYGMOMANOMETER**
(71) Applicants: **Fumie Shibata**, Tokyo (JP); **Yukiko Mitsunami**, Shiga (JP)
(72) Inventors: **Fumie Shibata**, Tokyo (JP); **Yukiko Mitsunami**, Shiga (JP)
(73) Assignee: **Omron Healthcare Co., Ltd.**, Kyoto (JP)
(**) Term: **14 Years**

D535,028 S * 1/2007 Kobayashi et al. D24/165
D582,043 S * 12/2008 Koike et al. D24/165
D606,659 S * 12/2009 Kiani et al. D24/186
D663,033 S * 7/2012 Wang D24/165

FOREIGN PATENT DOCUMENTS

GB 2086437 11/1999
GB 3005623 10/2002
JP D1068363 4/2000
JP D1090688 11/2000
JP D1174057 5/2003
JP D1239056 5/2005

* cited by examiner

(21) Appl. No.: **29/433,132**
(22) Filed: **Sep. 26, 2012**

Primary Examiner — Anhdao Doan

(74) *Attorney, Agent, or Firm* — Capitol City TechLaw

(30) **Foreign Application Priority Data**

Mar. 28, 2012 (JP) 2012-007137
Mar. 28, 2012 (JP) 2012-007138

(57) **CLAIM**

The ornamental design for a sphygmomanometer, as shown and described.

(51) **LOC (10) Cl.** **24-02**
(52) **U.S. Cl.**
USPC **D24/165**

DESCRIPTION

(58) **Field of Classification Search**
USPC D24/164–168, 186, 107; D10/46, 75, D10/98; 600/301, 481–483, 485, 490, 600/493–495, 500, 503, 509; 128/900
See application file for complete search history.

FIG. 1 is a front, bottom, and right side perspective view of a sphygmomanometer showing our new design;
FIG. 2 is a front view thereof;
FIG. 3 is a rear view thereof;
FIG. 4 is a top view thereof;
FIG. 5 is a bottom view thereof;
FIG. 6 is a right side view thereof; and,
FIG. 7 is a left side view thereof.

(56) **References Cited**
U.S. PATENT DOCUMENTS

D378,414 S * 3/1997 Allen et al. D24/165
D403,770 S * 1/1999 Ozaki et al. D24/165

1 Claim, 7 Drawing Sheets



Fig. 1



Fig.2

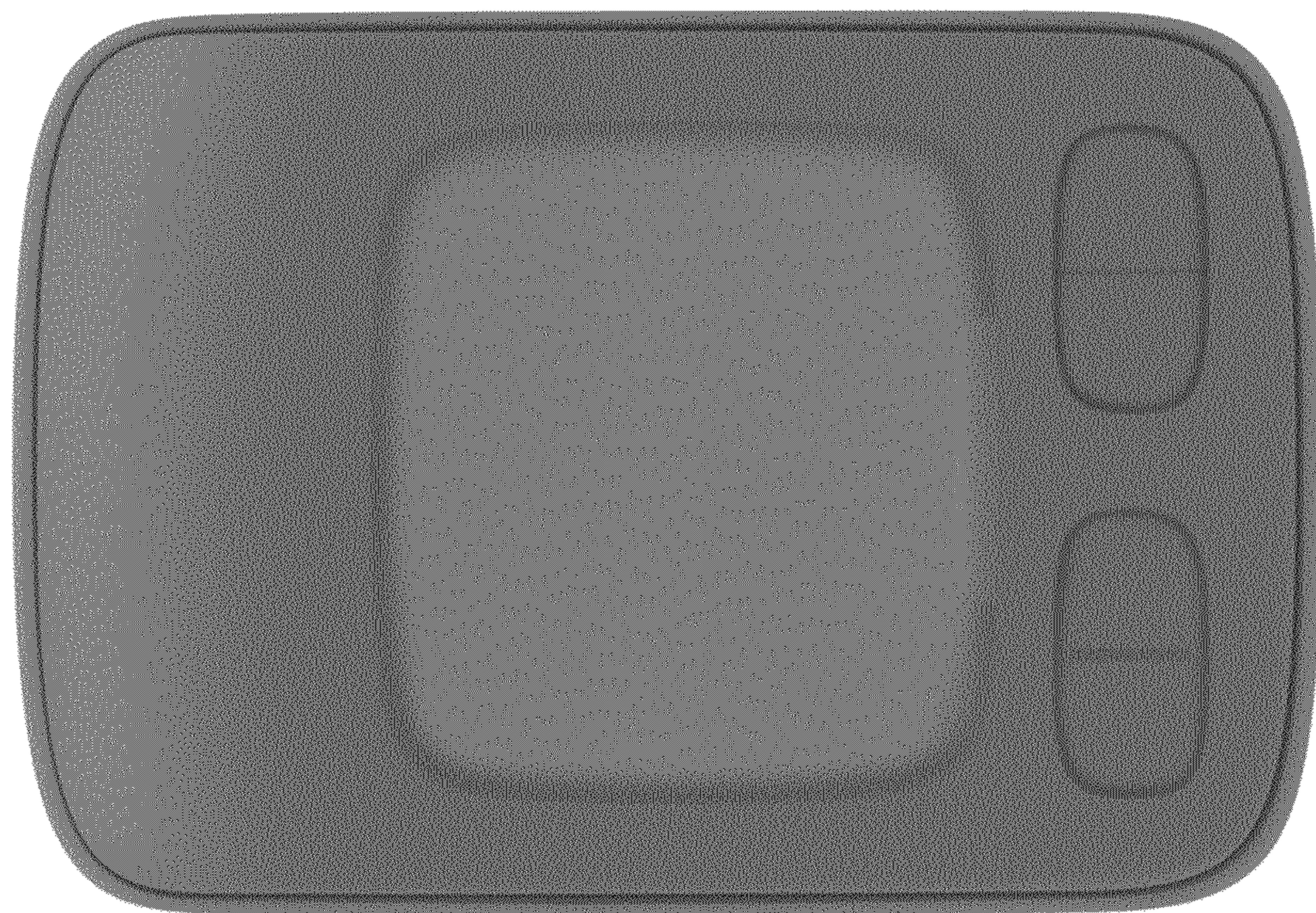


Fig.3

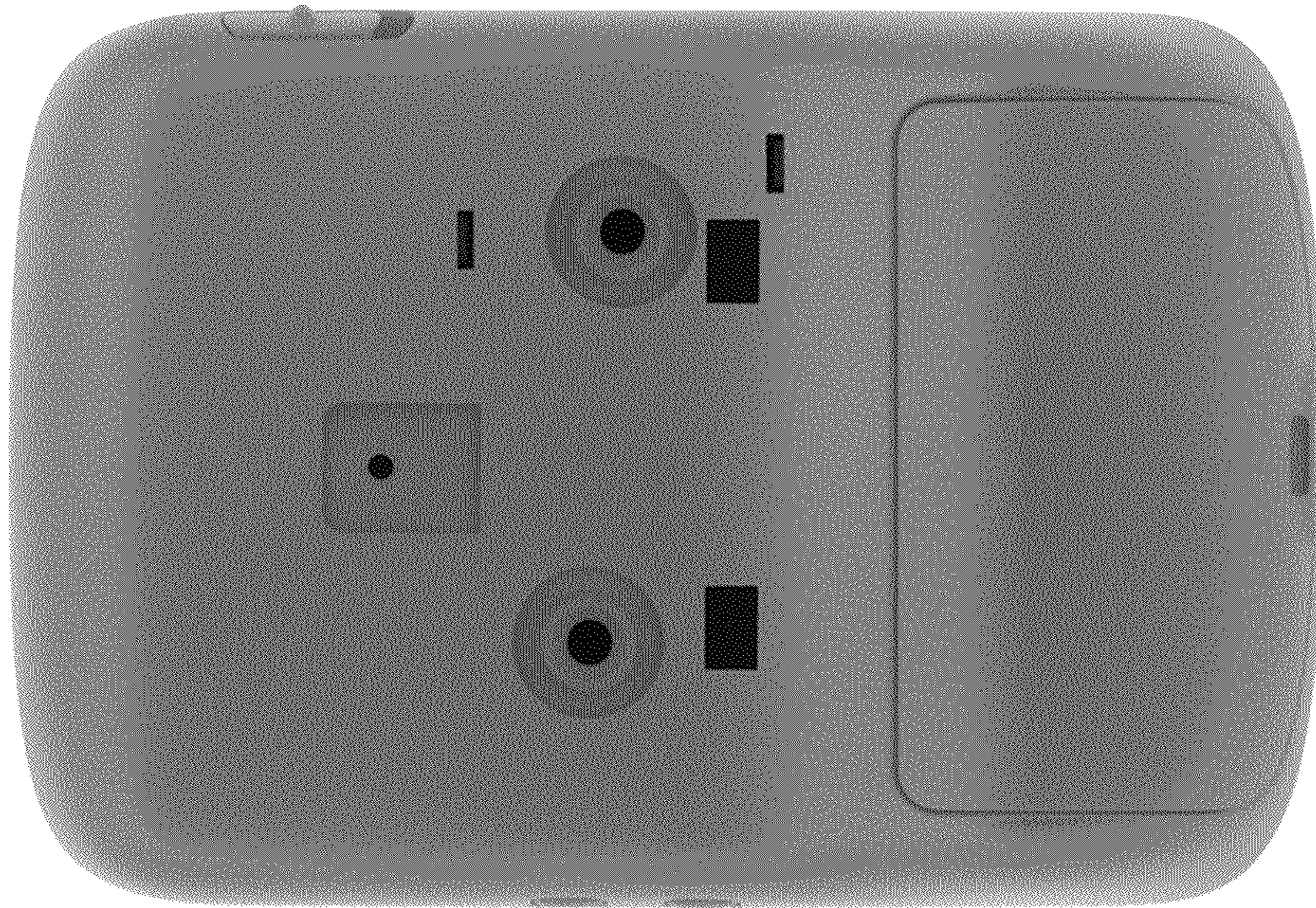


Fig.4

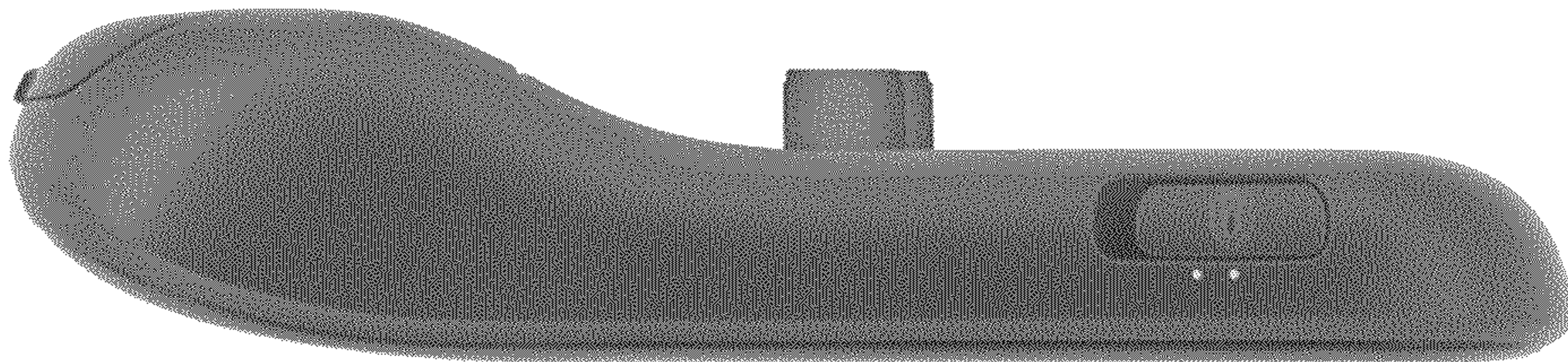


Fig.5

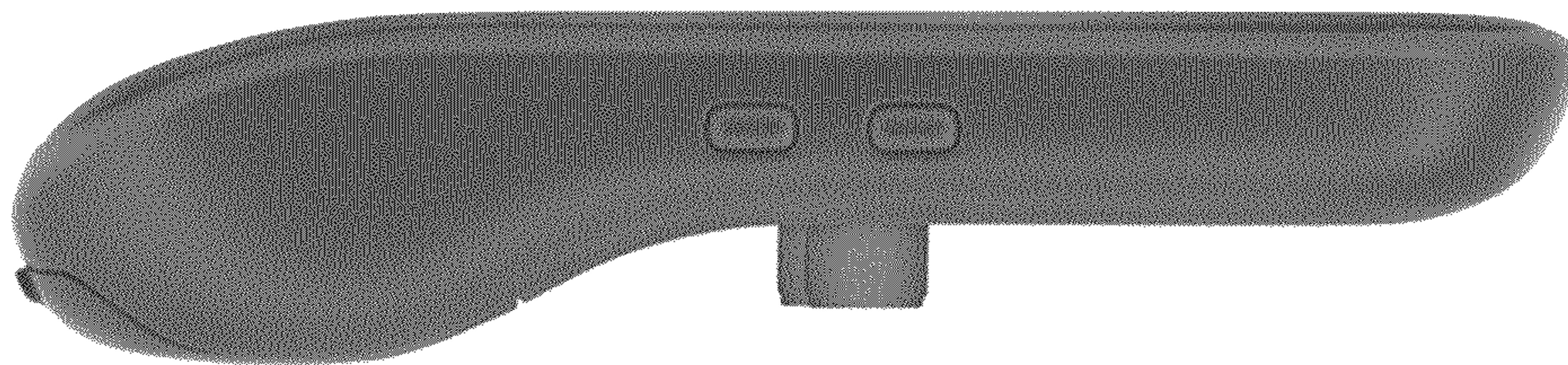


Fig.6

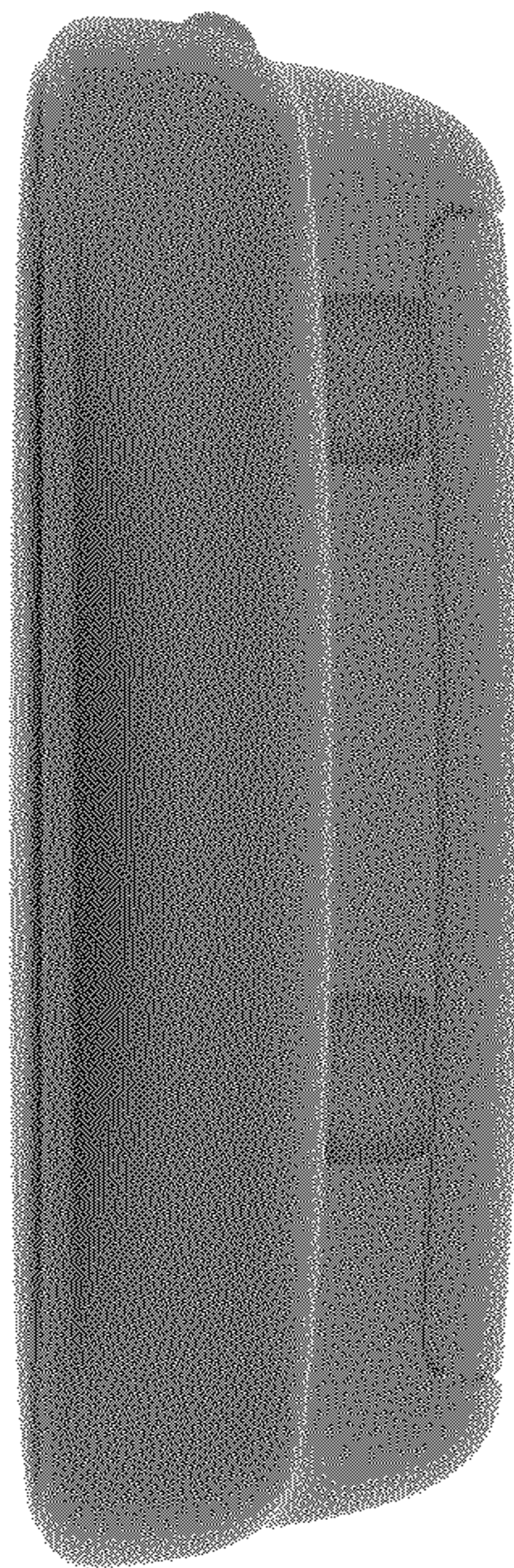


Fig.7

