

US00D697622S

(12) **United States Design Patent**  
**Chung et al.**

(10) **Patent No.:** **US D697,622 S**  
(45) **Date of Patent:** **\*\* Jan. 14, 2014**

(54) **ULTRASONIC DIAGNOSTIC EQUIPMENT**

(71) Applicant: **Samsung Electronics Co., Ltd.**,  
Suwon-si (KR)

(72) Inventors: **Yeon-Moo Chung**, Seoul (KR); **Jun-Pil Moon**, Seoul (KR)

(73) Assignee: **Samsung Electronics Co., Ltd.** (KR)

(\*\*) Term: **14 Years**

(21) Appl. No.: **29/437,985**

(22) Filed: **Nov. 23, 2012**

**Related U.S. Application Data**

(63) Continuation of application No. 29/431,369, filed on Sep. 6, 2012.

(30) **Foreign Application Priority Data**

Jun. 26, 2012 (KR) ..... 30-2012-0031070

(51) **LOC (10) Cl.** ..... **24-01**

(52) **U.S. Cl.**  
USPC ..... **D24/158**; D24/160

(58) **Field of Classification Search**  
USPC ..... D24/158-161, 185, 186; 606/32-34;  
600/1-3, 104, 437, 443, 459; 312/209,  
312/223.1, 223.2, 249.12; 248/47.34, 282.1  
See application file for complete search history.

(56) **References Cited**

**U.S. PATENT DOCUMENTS**

D387,168 S \* 12/1997 Edelman et al. .... D24/186  
D472,635 S \* 4/2003 Stringer et al. .... D24/160

D559,390 S \* 1/2008 Diener et al. .... D24/186  
D626,238 S \* 10/2010 Zinnanti ..... D24/185  
D626,239 S \* 10/2010 Lia et al. .... D24/185  
D628,299 S \* 11/2010 Held ..... D24/185  
D631,970 S \* 2/2011 Held ..... D24/185  
D648,855 S \* 11/2011 Smith et al. .... D24/158  
D652,936 S \* 1/2012 Ross et al. .... D24/185  
D657,470 S \* 4/2012 Schon et al. .... D24/186  
2010/0004535 A1 \* 1/2010 Song et al. .... 600/437  
2012/0289828 A1 \* 11/2012 Jensen et al. .... 600/437

\* cited by examiner

*Primary Examiner* — Anhdao Doan

(74) *Attorney, Agent, or Firm* — Cantor Colburn LLP

(57) **CLAIM**

The ornamental design for an ultrasonic diagnostic equipment, as shown and described.

**DESCRIPTION**

FIG. 1 is a perspective view of an ultrasonic diagnostic equipment showing our new design;  
FIG. 2 is a front view thereof;  
FIG. 3 is a rear view thereof;  
FIG. 4 is a left side view thereof;  
FIG. 5 is a right side view thereof;  
FIG. 6 is a top plan view thereof;  
FIG. 7 is a bottom plan view thereof;  
FIG. 8 is a perspective view of the tray portion thereof shown separately for clarity of the illustration; and,  
FIG. 9 is cross sectional view thereof taken along line 9-9 of the FIG. 8.

The broken lines in the drawing views are included for the purpose of illustrating portions of the ultrasonic diagnostic equipment that form no part of the claimed design.

**1 Claim, 8 Drawing Sheets**

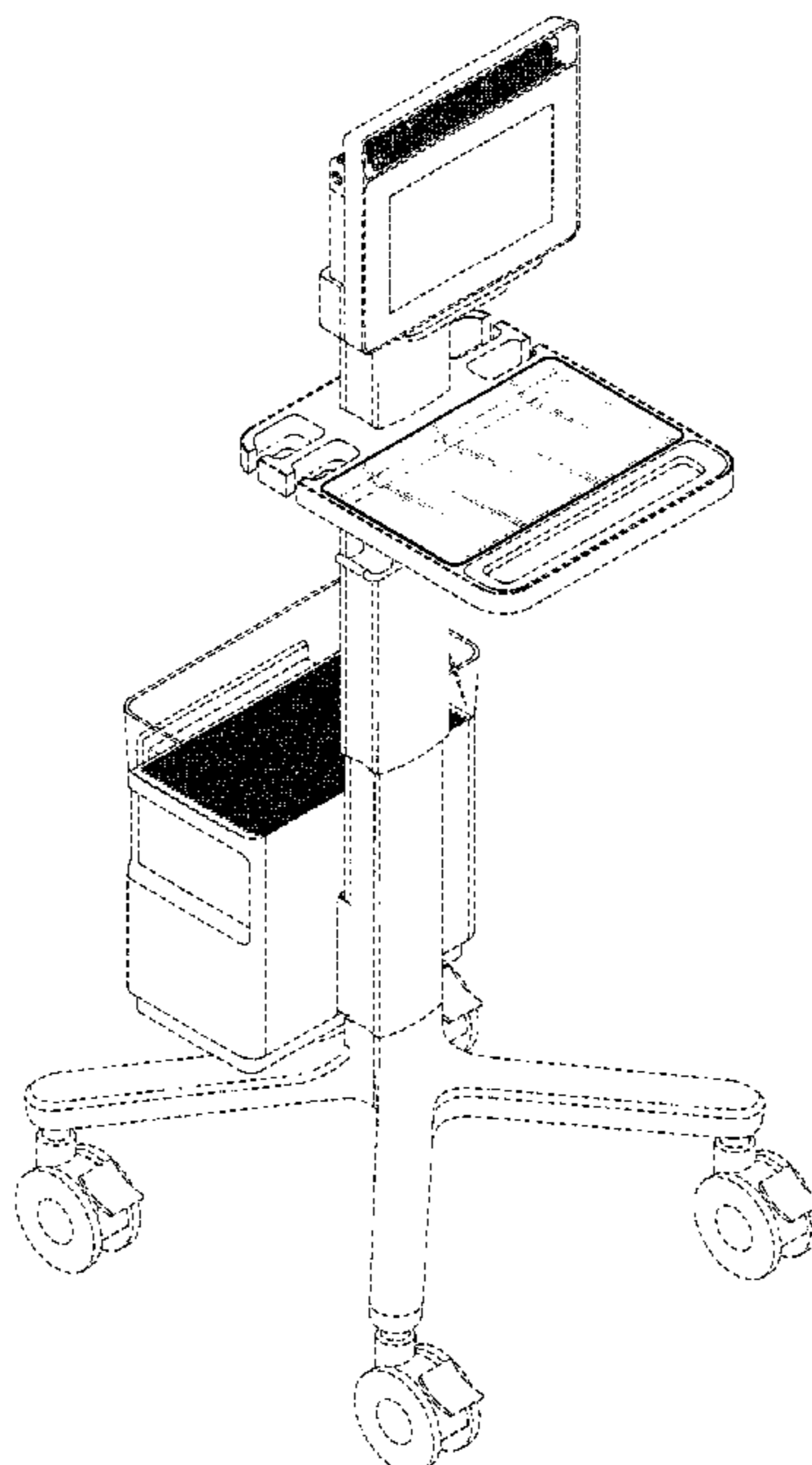


FIG. 1

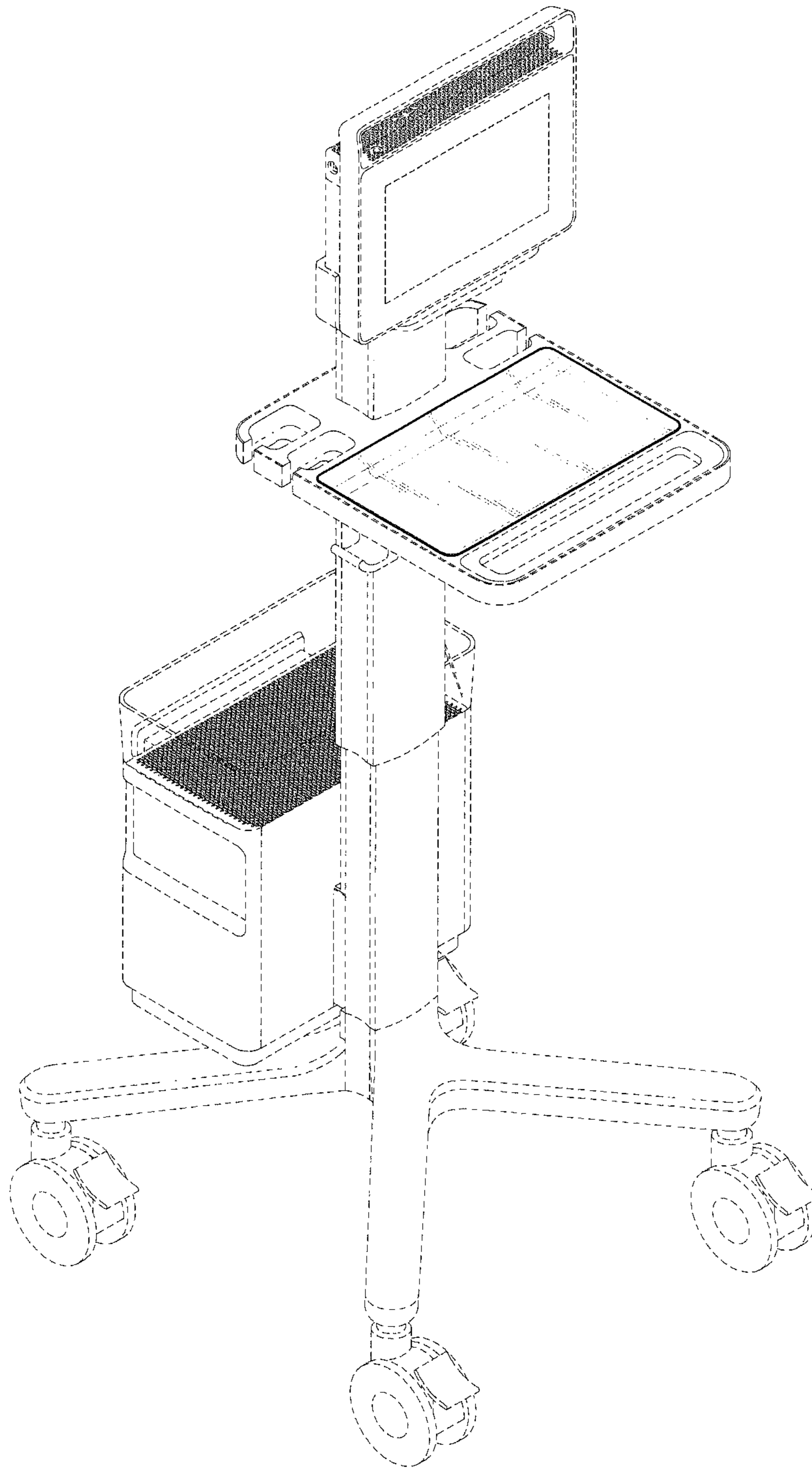


FIG. 2

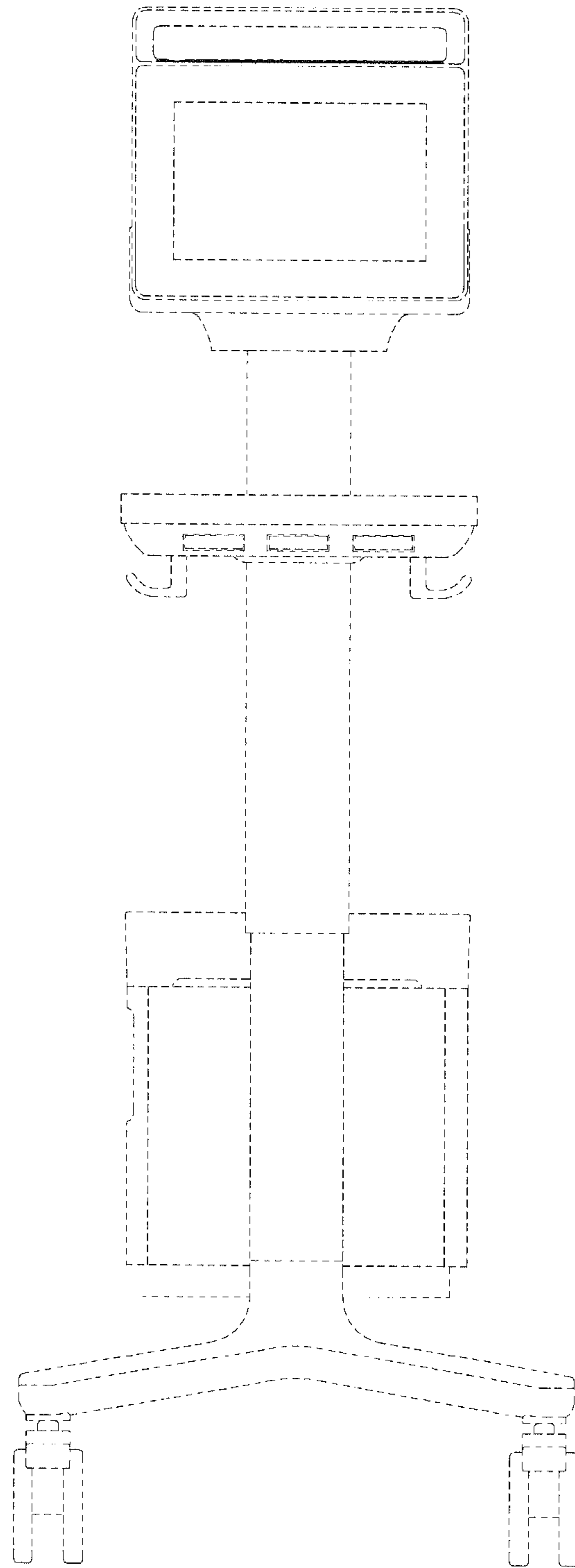


FIG. 3

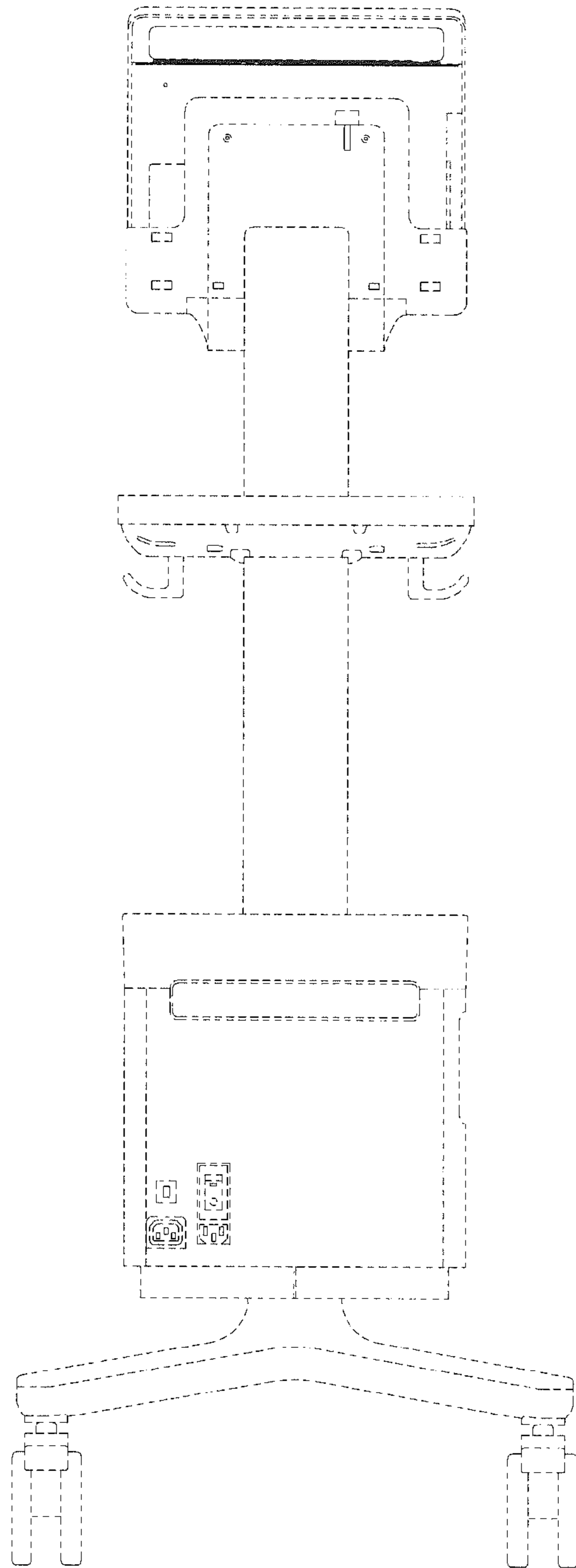


FIG. 4

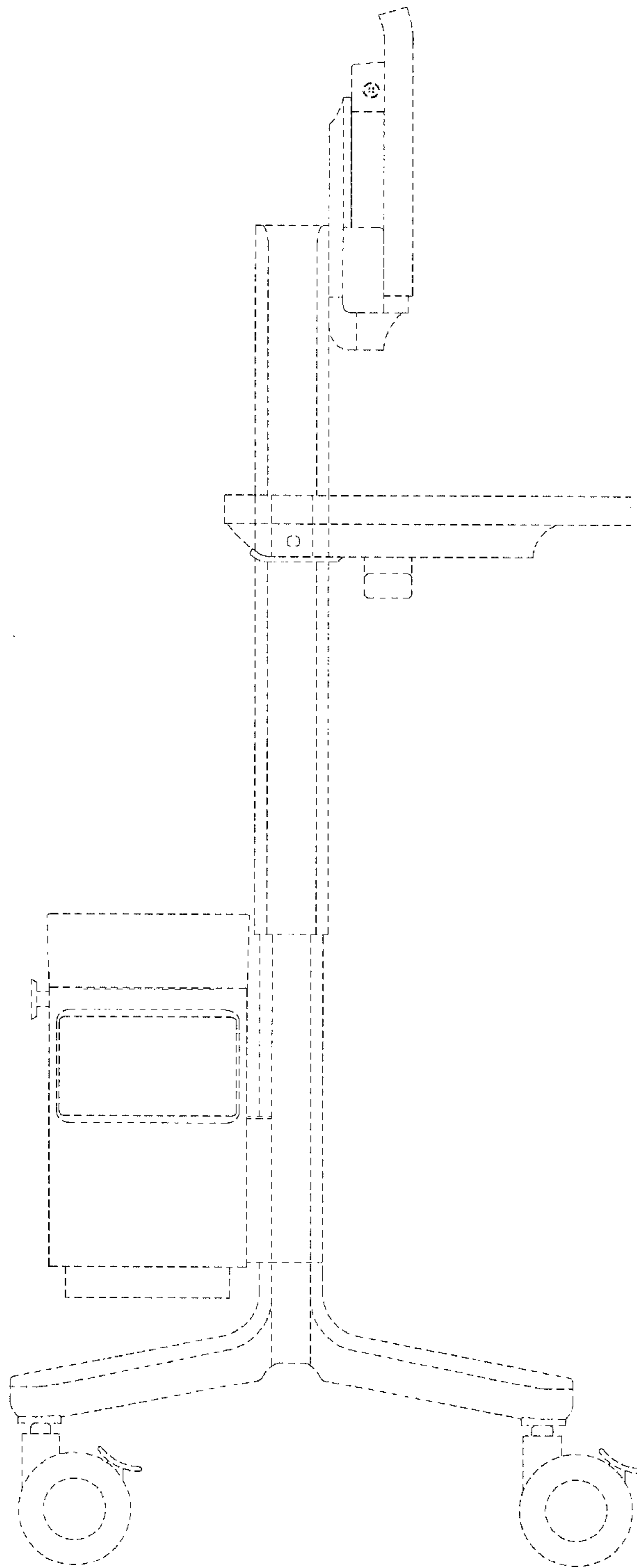


FIG. 5

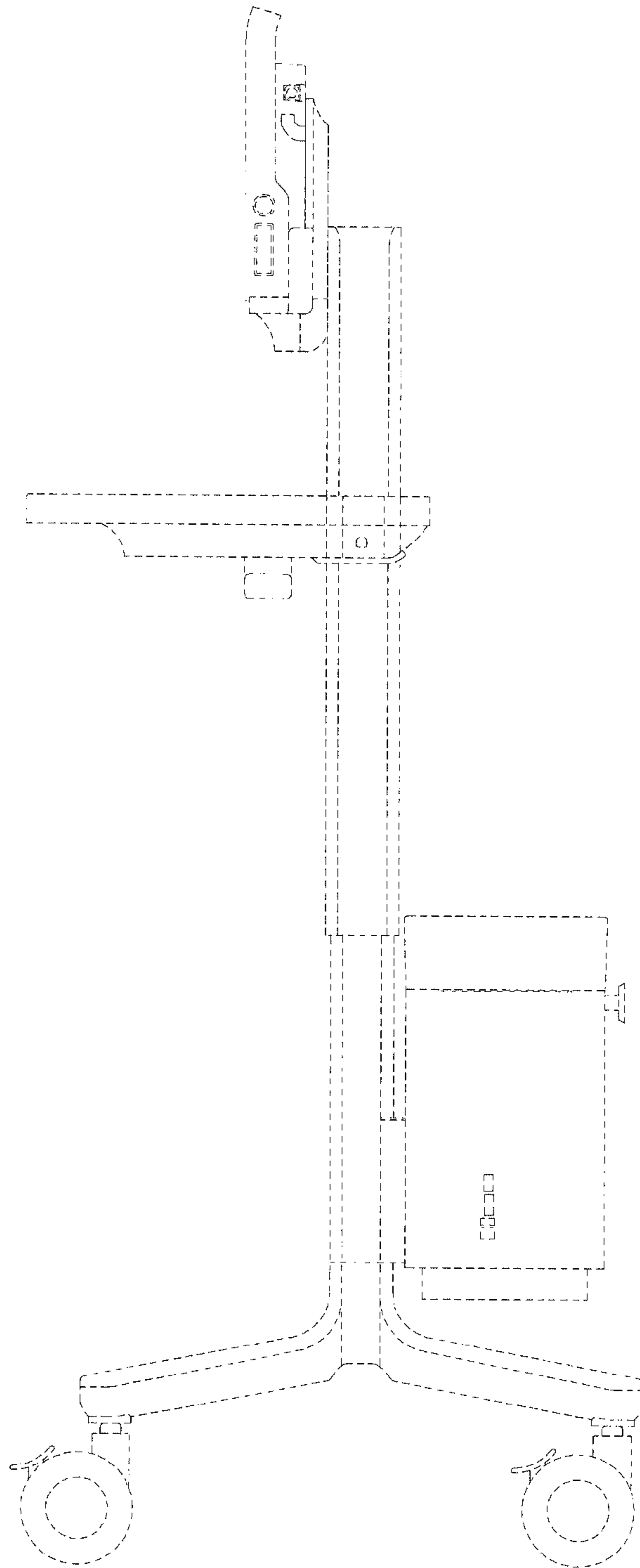


FIG. 6

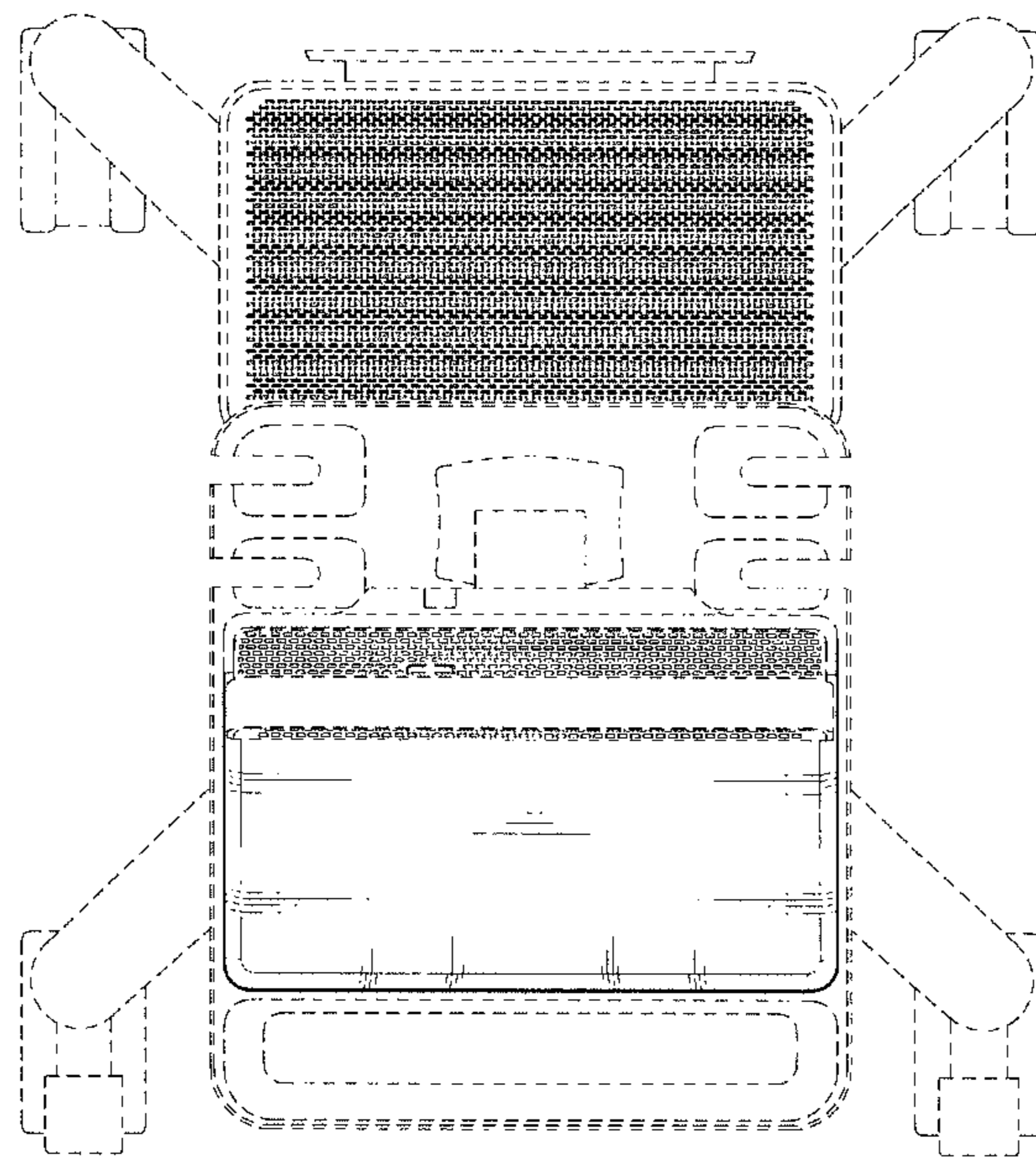


FIG. 7

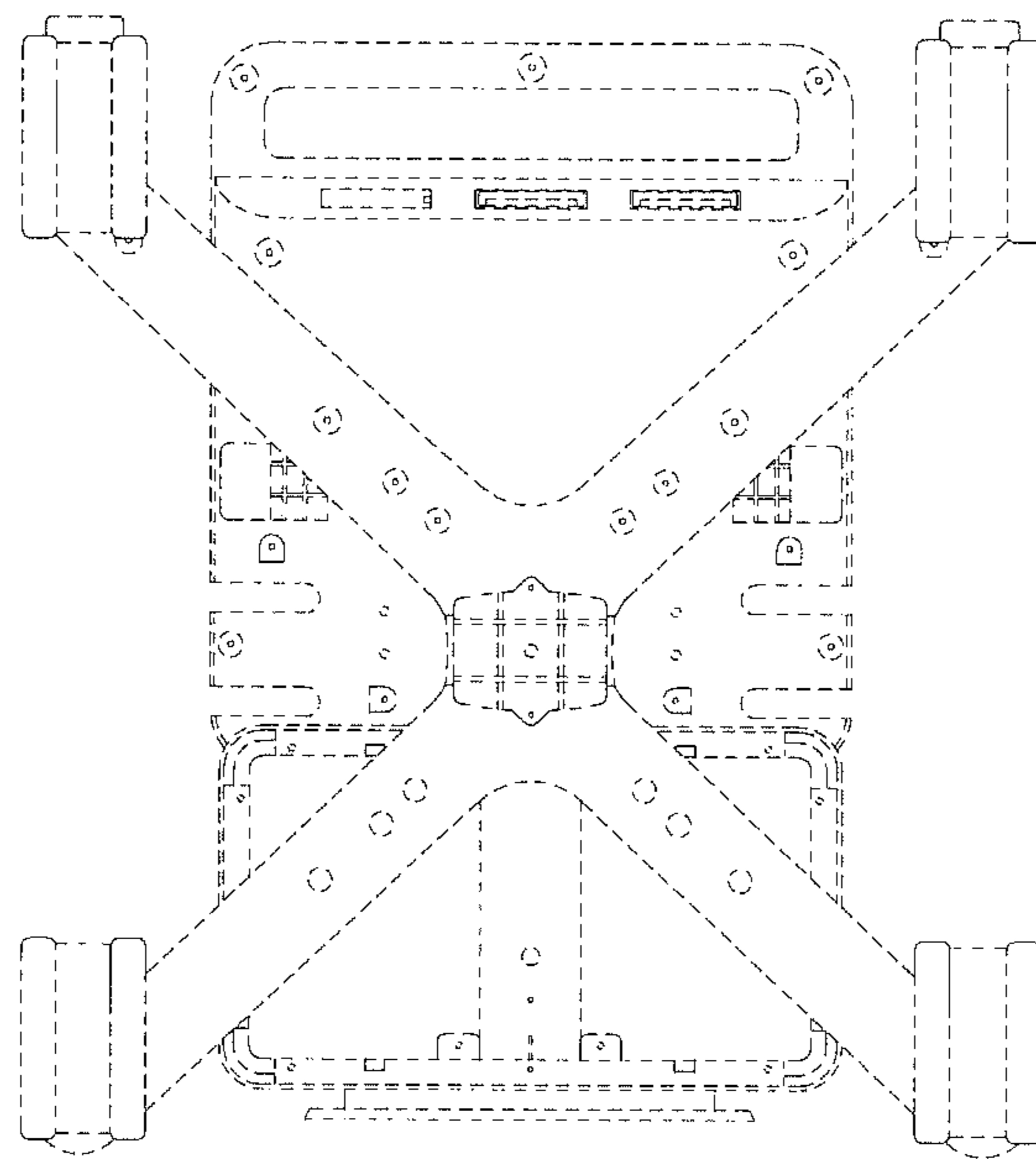




FIG. 8

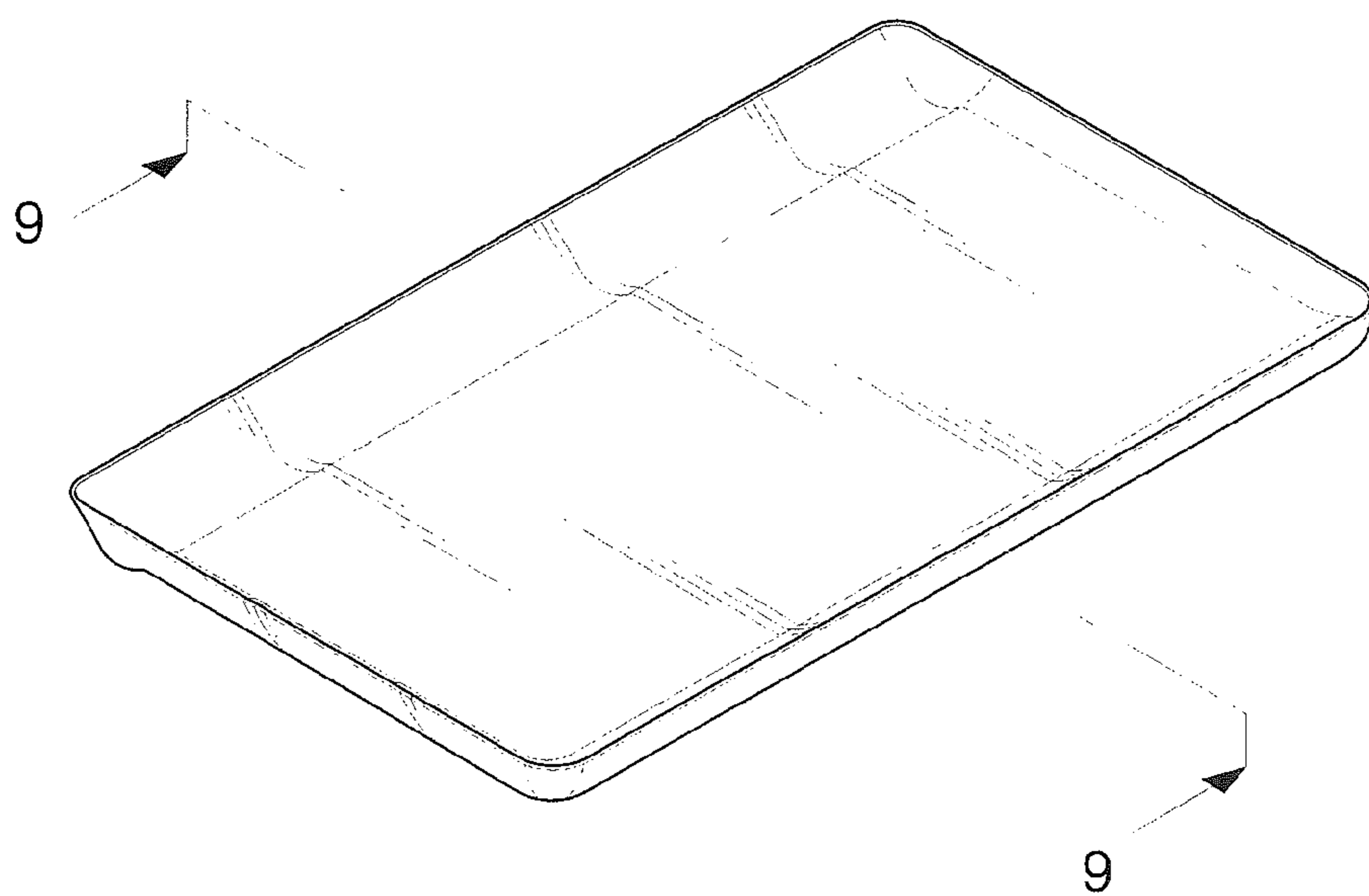


FIG. 9

