

US00D697618S

(12) **United States Design Patent**
Gonzales et al.

(10) **Patent No.:** **US D697,618 S**
(45) **Date of Patent:** **** Jan. 14, 2014**

(54) **INSERTION DEVICE**

(71) Applicant: **Entrigue Surgical, Inc.**, San Antonio, TX (US)

(72) Inventors: **Donald A. Gonzales**, Houston, TX (US);
Fred B. Dinger, III, San Antonio, TX (US); **Jeffrey S. Wrana**, San Antonio, TX (US)

(73) Assignee: **Entrigue Surgical, Inc.**, San Antonio, TX (US)

(**) Term: **14 Years**

(21) Appl. No.: **29/455,391**

(22) Filed: **May 20, 2013**

D404,484	S	*	1/1999	Lahr et al.	D24/133
D460,553	S	*	7/2002	Koros et al.	D24/147
6,500,189	B1	*	12/2002	Lang et al.	606/170
6,575,978	B2	*	6/2003	Peterson et al.	606/83
D613,407	S	*	4/2010	Baynham	D24/146
D621,931	S	*	8/2010	Storz	D24/133
D631,155	S	*	1/2011	Peine et al.	D24/133
D635,671	S	*	4/2011	Way et al.	D24/147
D636,872	S	*	4/2011	Marescaux et al.	D24/133
D643,115	S	*	8/2011	Gonzales et al.	D24/133
D651,311	S	*	12/2011	Triplett	D24/133
D658,759	S	*	5/2012	Marescaux et al.	D24/133
D660,422	S	*	5/2012	Hermle	D24/133
8,303,630	B2	*	11/2012	Abdou	606/249
D679,011	S	*	3/2013	Kitayama et al.	D24/133
8,409,213	B2	*	4/2013	Trudeau et al.	606/99
D683,852	S	*	6/2013	Gonzales et al.	D24/133
D687,549	S	*	8/2013	Johnson et al.	D24/133
2002/0153008	A1	*	10/2002	Schwartz et al.	128/200.26
2004/0254575	A1	*	12/2004	Obenchain et al.	606/61
2009/0248077	A1	*	10/2009	Johns	606/246

* cited by examiner

Related U.S. Application Data

(60) Continuation of application No. 29/394,983, filed on Jun. 23, 2011, now Pat. No. Des. 683,852, which is a division of application No. 29/363,134, filed on Jun. 4, 2010, now Pat. No. Des. 643,115.

(51) **LOC (10) Cl.** **24-02**

(52) **U.S. Cl.**
USPC **D24/133**

(58) **Field of Classification Search**
USPC D24/133, 143, 145, 146; 606/83, 99; 600/114

See application file for complete search history.

(56) **References Cited**

U.S. PATENT DOCUMENTS

3,608,544	A	*	9/1971	Schnepper	600/564
D343,000	S	*	1/1994	Olson	D24/145
5,582,618	A	*	12/1996	Chin et al.	606/170
D379,228	S	*	5/1997	Rahimzadeh et al.	D24/145
5,792,149	A	*	8/1998	Sherts et al.	606/142

Primary Examiner — Bridget L Eland

(74) *Attorney, Agent, or Firm* — Fulbright & Jaworski LLP

(57) **CLAIM**

The ornamental design for an insertion device, as shown and described.

DESCRIPTION

FIG. 1 is a front perspective view of an insertion device showing our design;

FIG. 2 is a back perspective view thereof;

FIG. 3 is a back view thereof;

FIG. 4 is a front view thereof;

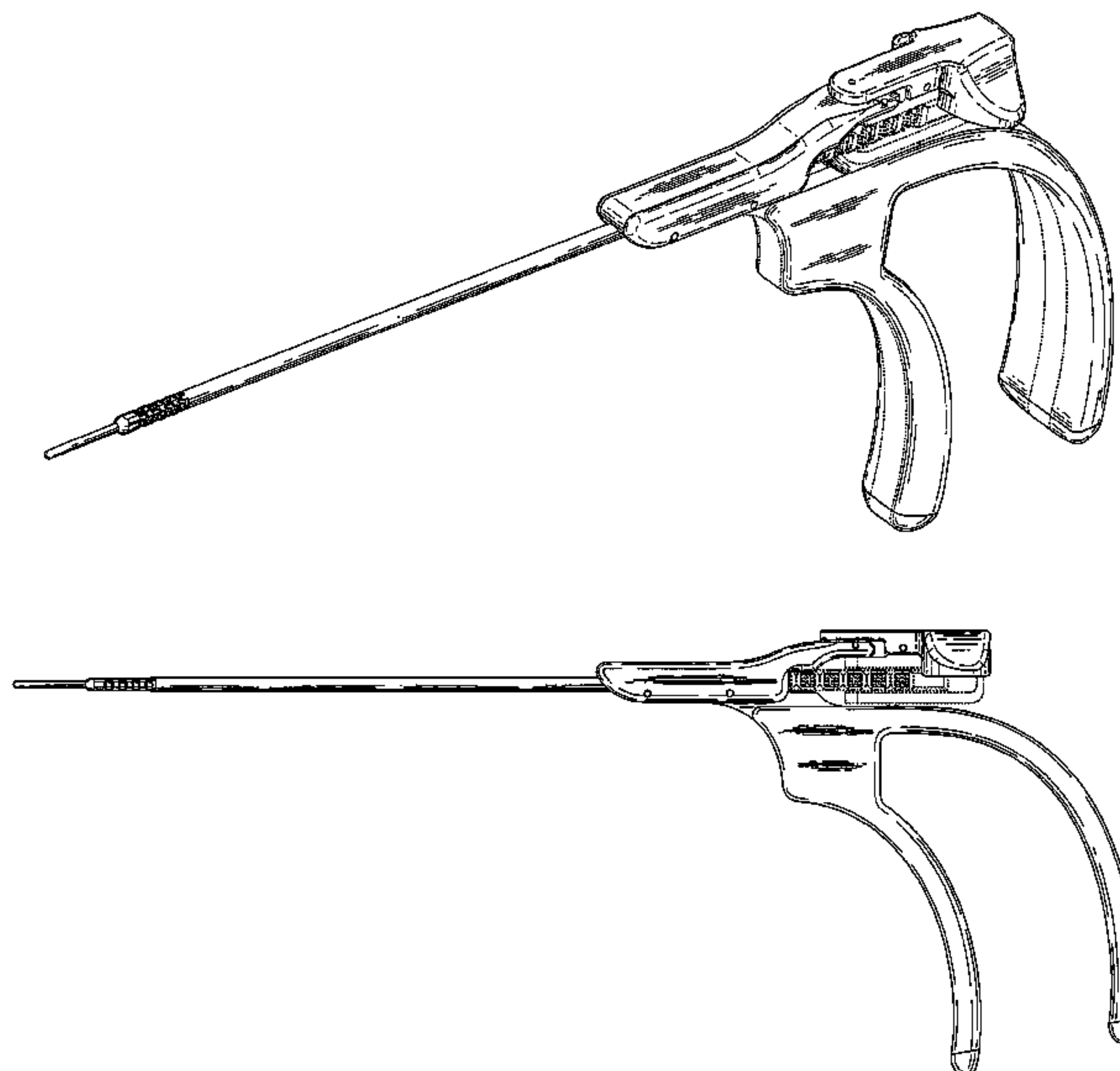
FIG. 5 is a left side view thereof;

FIG. 6 is a top view thereof; and,

FIG. 7 is a bottom view thereof.

The dashed lines in FIGS. 1-7 represent environmental structure and form no part of the claimed design.

1 Claim, 5 Drawing Sheets



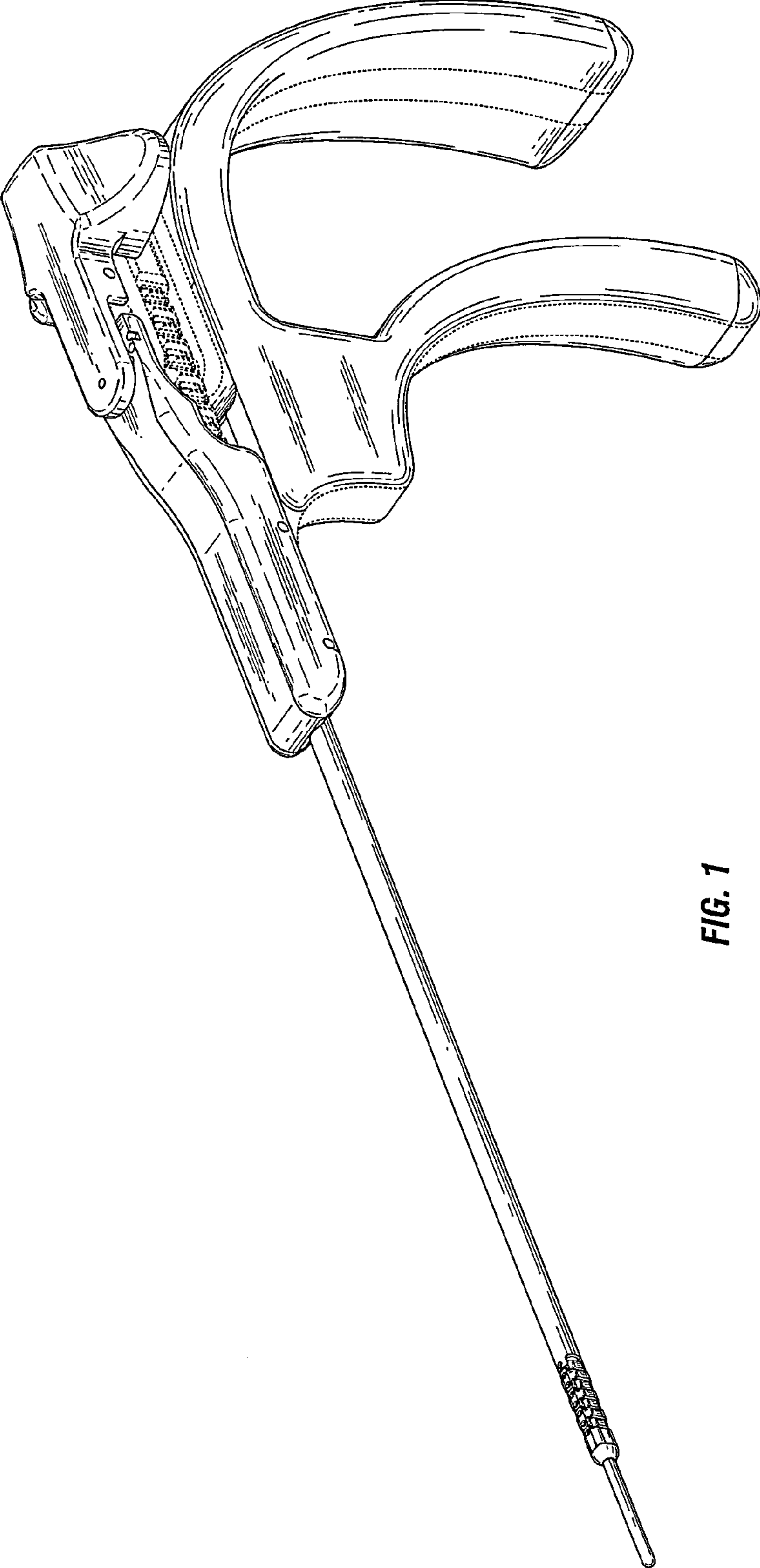


FIG. 1

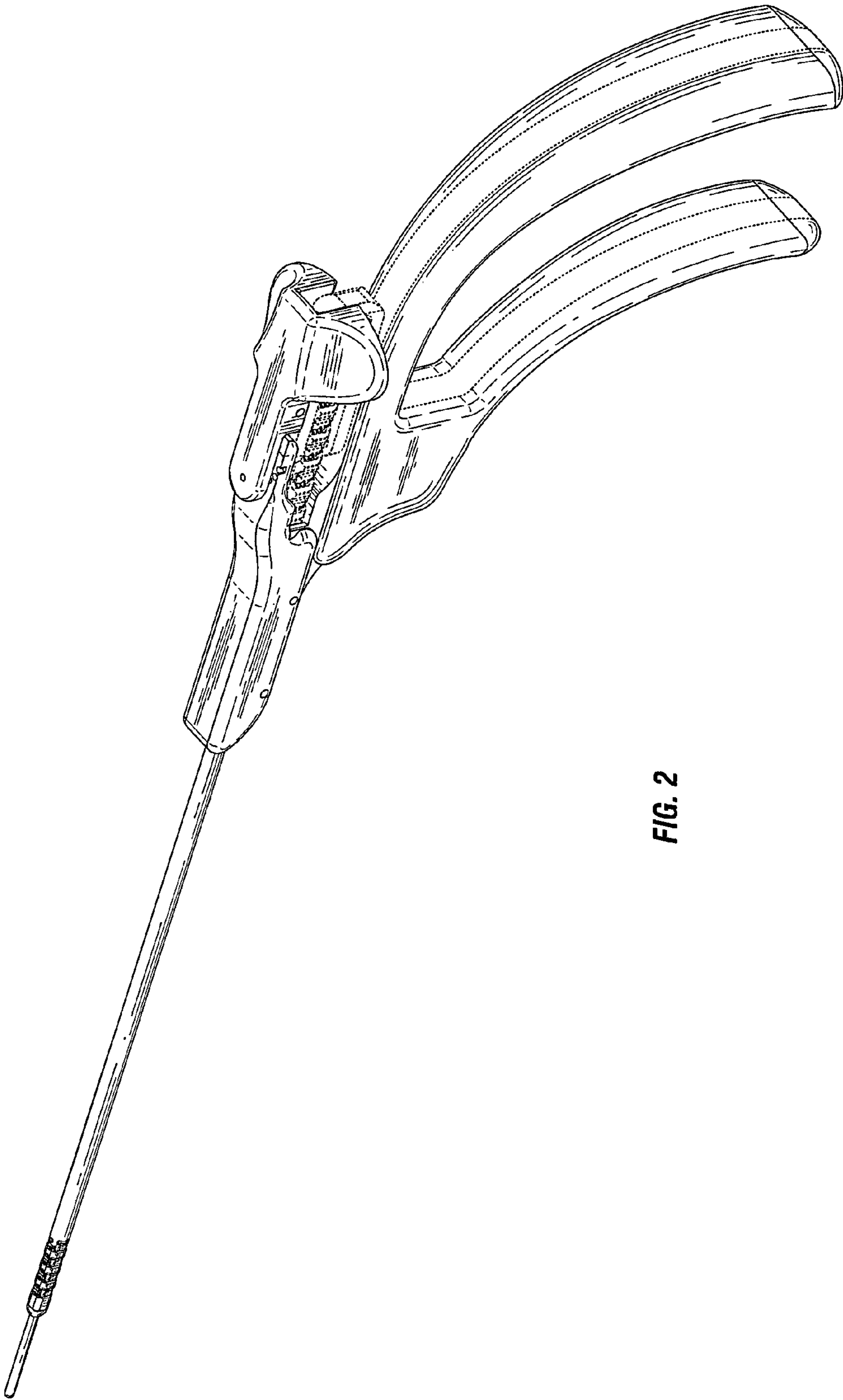


FIG. 2

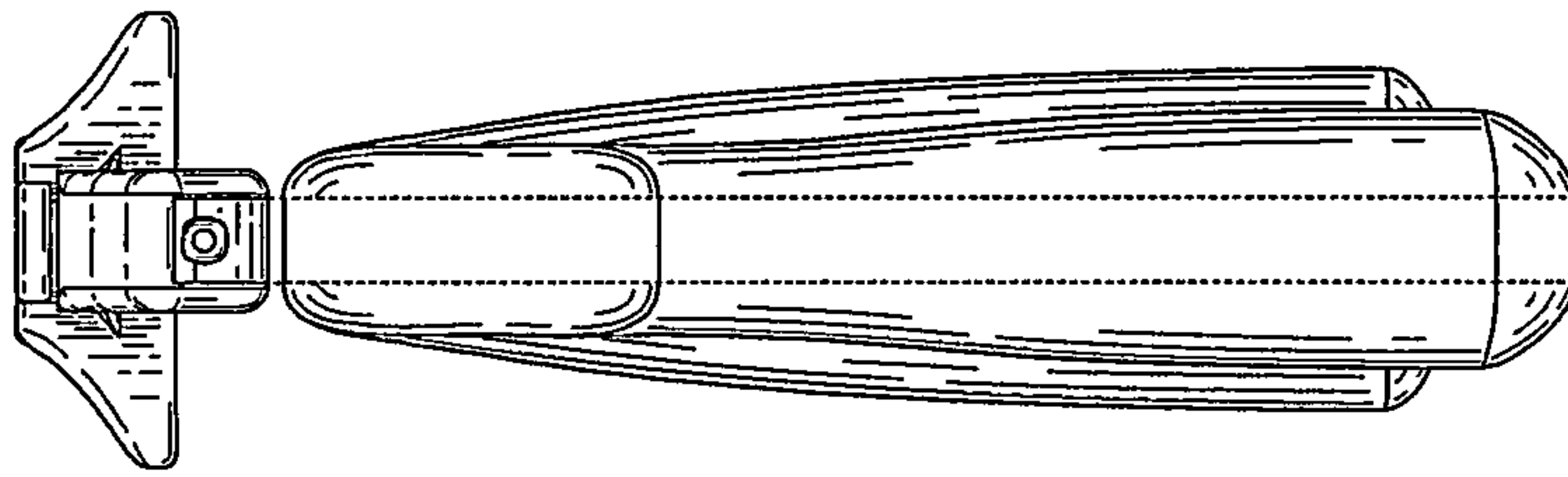


FIG. 4

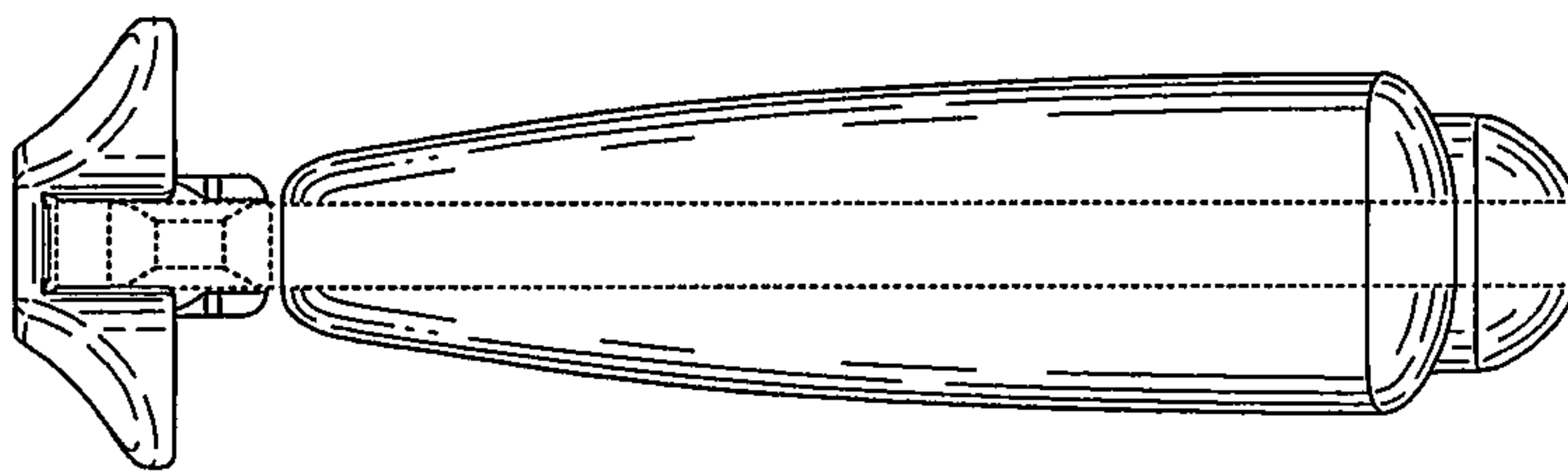


FIG. 3

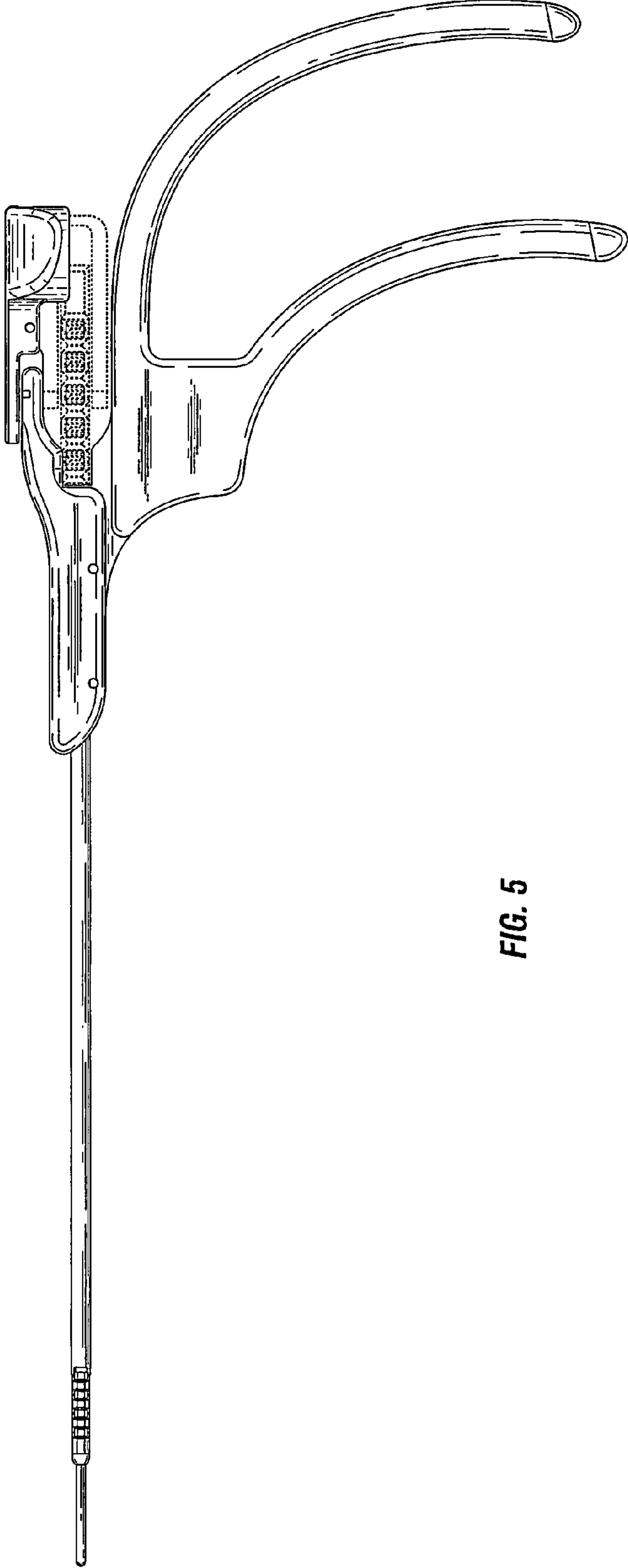


FIG. 5

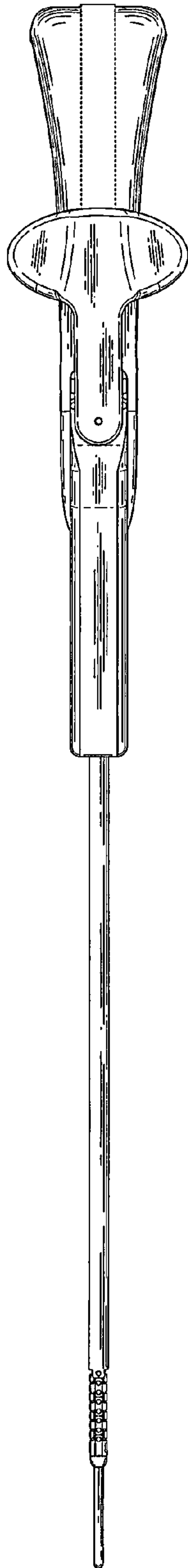


FIG. 6

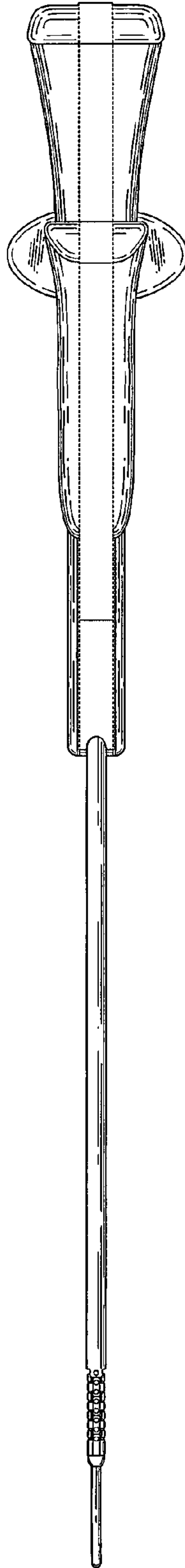


FIG. 7