



US00D697605S

(12) **United States Design Patent**  
**Anderson, Jr. et al.**

(10) **Patent No.:** **US D697,605 S**  
(45) **Date of Patent:** **\*\* Jan. 14, 2014**

(54) **FLUID DISPENSER**

(75) Inventors: **James D. Anderson, Jr.**, Harrodsburg,  
KY (US); **John G. Edelen**, Versailles,  
KY (US)

(73) Assignee: **Lexmark International, Inc.**,  
Lexington, KY (US)

(\*\*) Term: **14 Years**

(21) Appl. No.: **29/416,345**

(22) Filed: **Mar. 21, 2012**

(51) **LOC (10) Cl.** ..... **28-99**

(52) **U.S. Cl.**  
USPC ..... **D23/399**

(58) **Field of Classification Search**  
USPC ..... D23/355-369; D28/5, 6; 261/DIG. 17,  
261/DIG. 42, DIG. 65, DIG. 88, DIG. 89;  
392/386, 390, 394, 395; 239/34, 44,  
239/53, 55, 56, 326; D26/14, 17, 98, 9, 22,  
D26/24; D11/131.1; D7/509, 522, 524, 537  
See application file for complete search history.

(56) **References Cited**

U.S. PATENT DOCUMENTS

3,790,081 A \* 2/1974 Thornton et al. .... 239/55  
D642,252 S \* 7/2011 Paolazzi et al. .... D23/366  
D643,102 S \* 8/2011 Abbondanzio et al. .... D23/366  
D649,235 S \* 11/2011 Crapser et al. .... D23/366

\* cited by examiner

*Primary Examiner* — Sandra Snapp

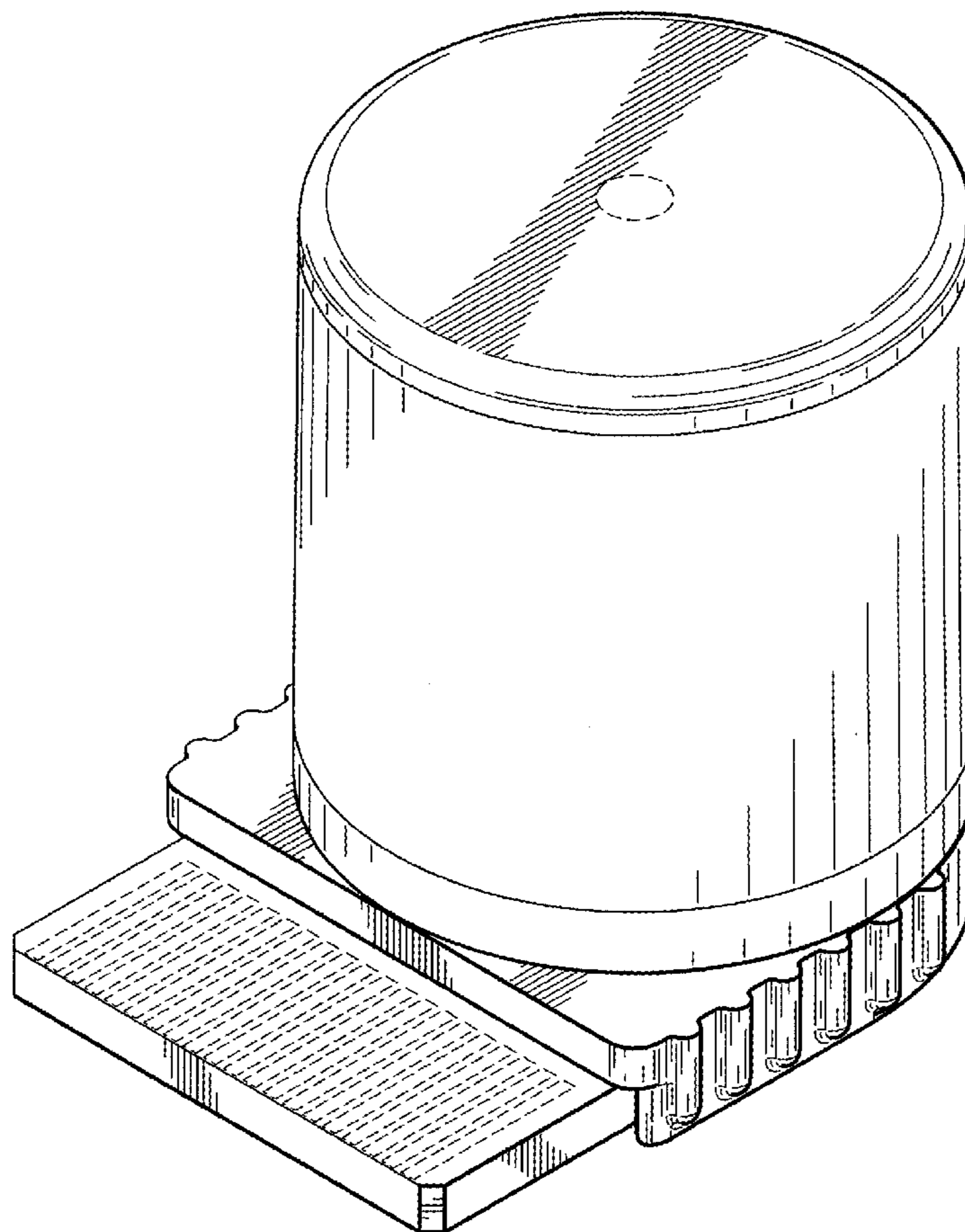
(57) **CLAIM**

We claim the ornamental design for the fluid dispenser, as shown and described.

**DESCRIPTION**

FIG. 1 is a top perspective view of a fluid dispenser;  
FIG. 2 is a bottom perspective view of the fluid dispenser;  
FIG. 3 is a front view of the fluid dispenser;  
FIG. 4 is a side view of the fluid dispenser;  
FIG. 5 is a rear view of the fluid dispenser;  
FIG. 6 is a top view of the fluid dispenser; and,  
FIG. 7 is a bottom view of the fluid dispenser.  
The broken lines are for illustration only and form no part of the claimed design.

**1 Claim, 5 Drawing Sheets**



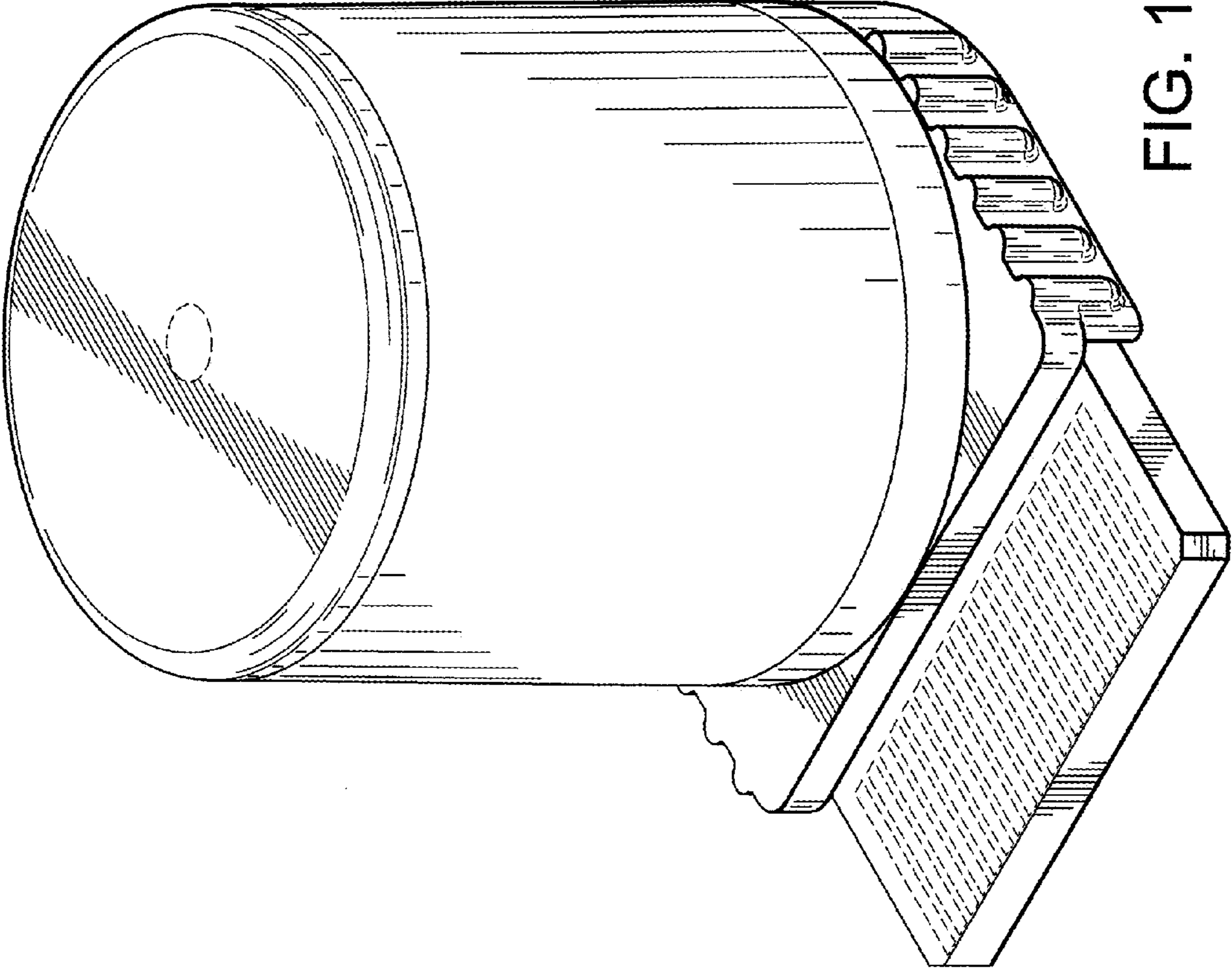


FIG. 1

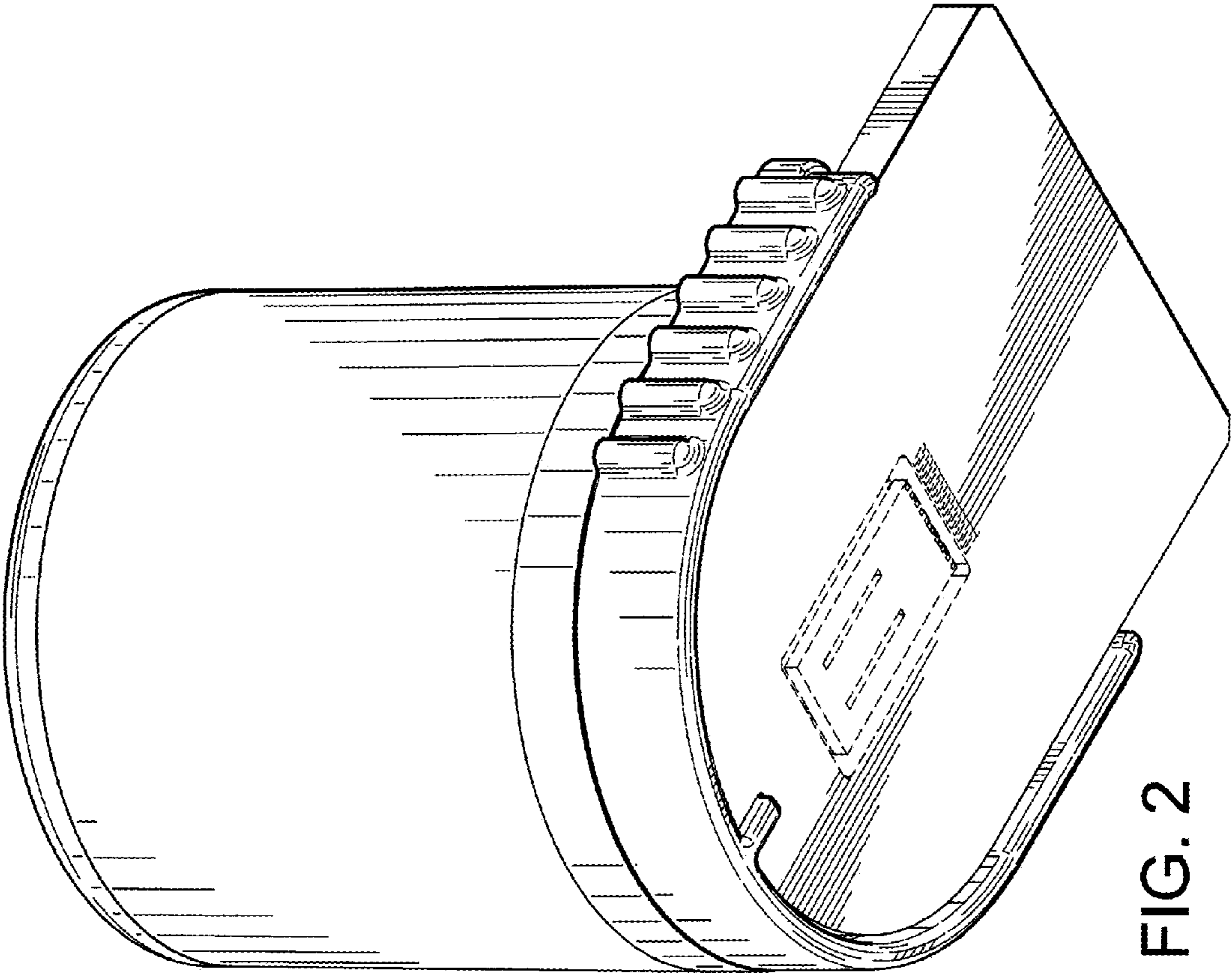


FIG. 2

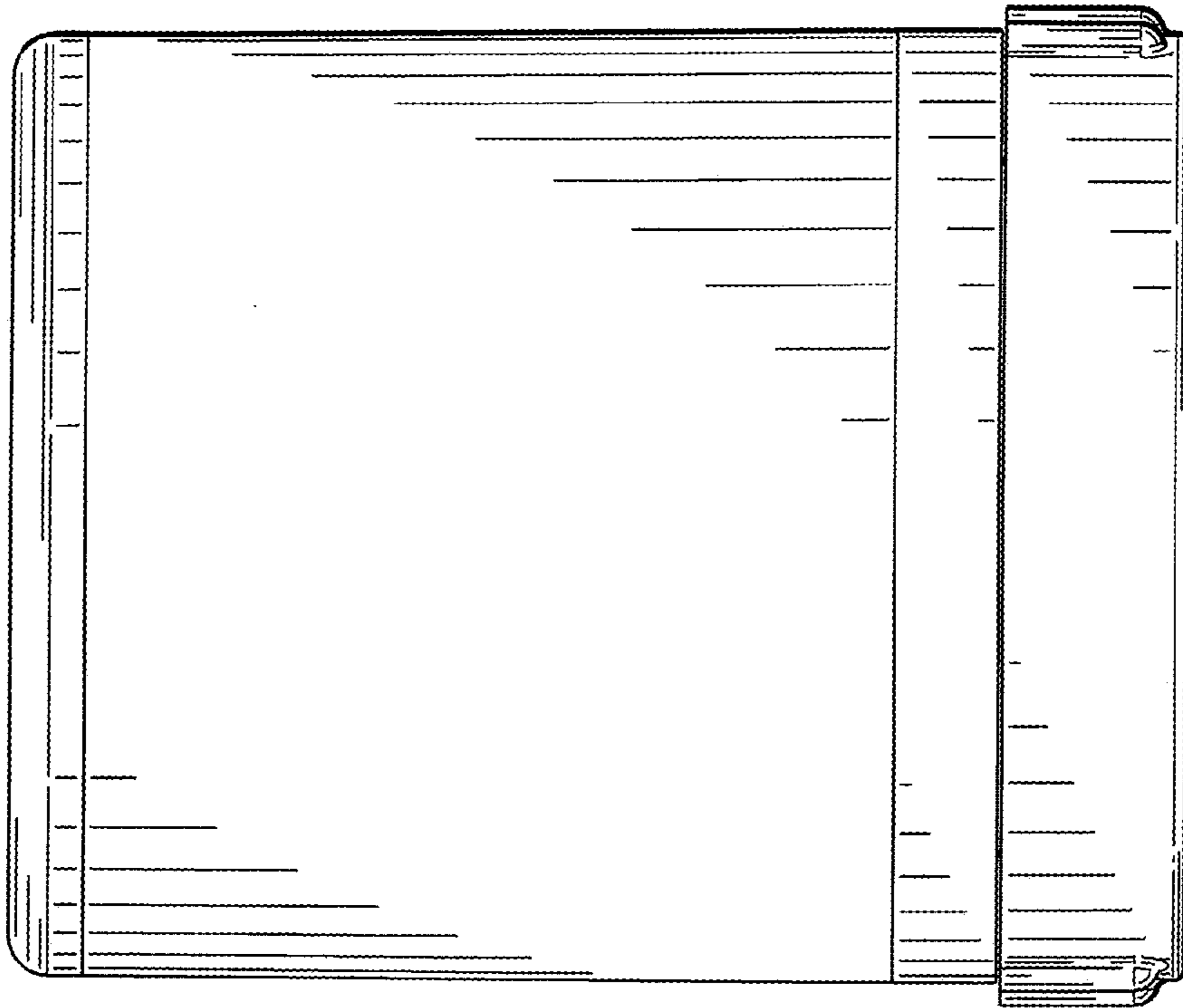


FIG. 5

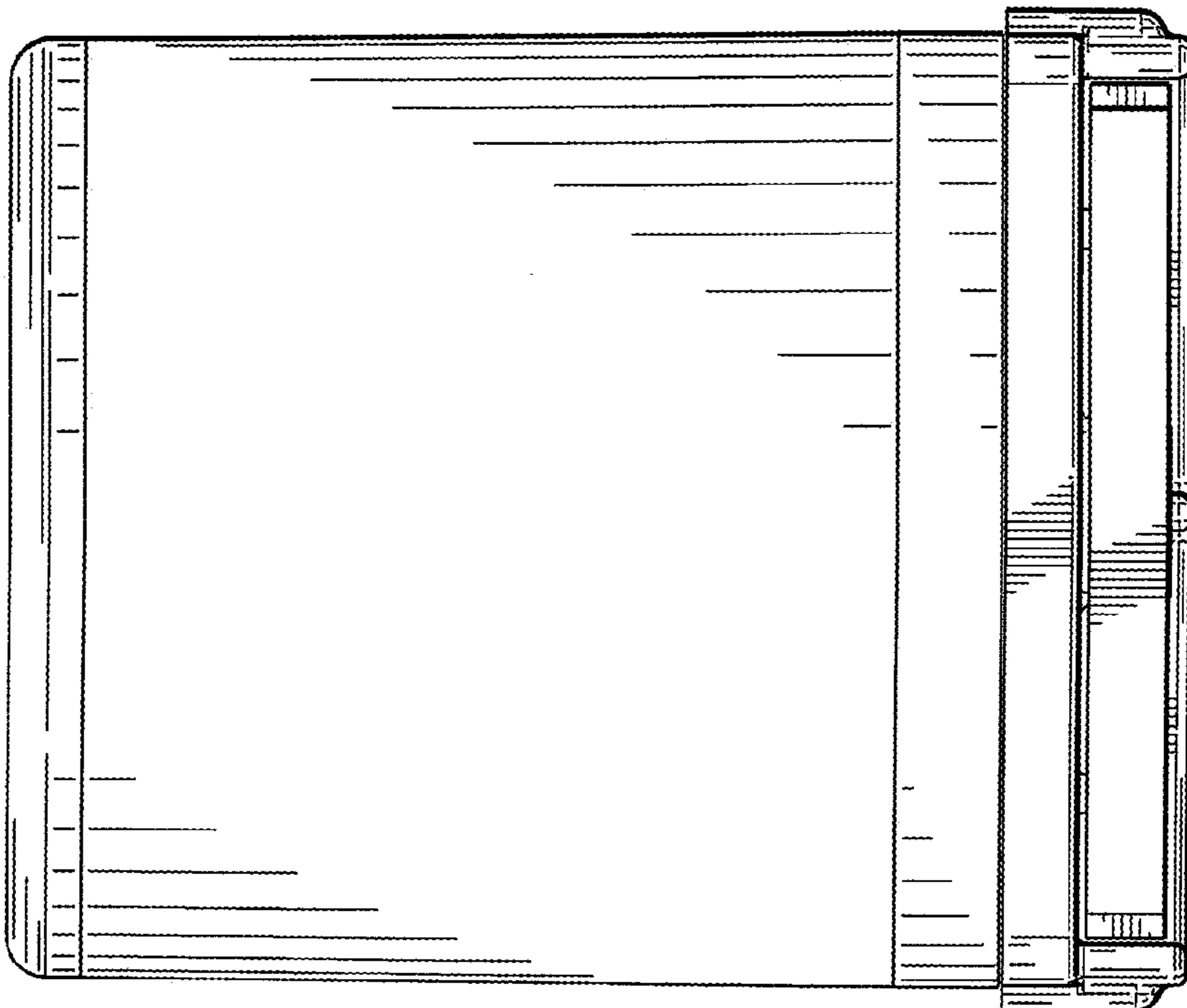


FIG. 3

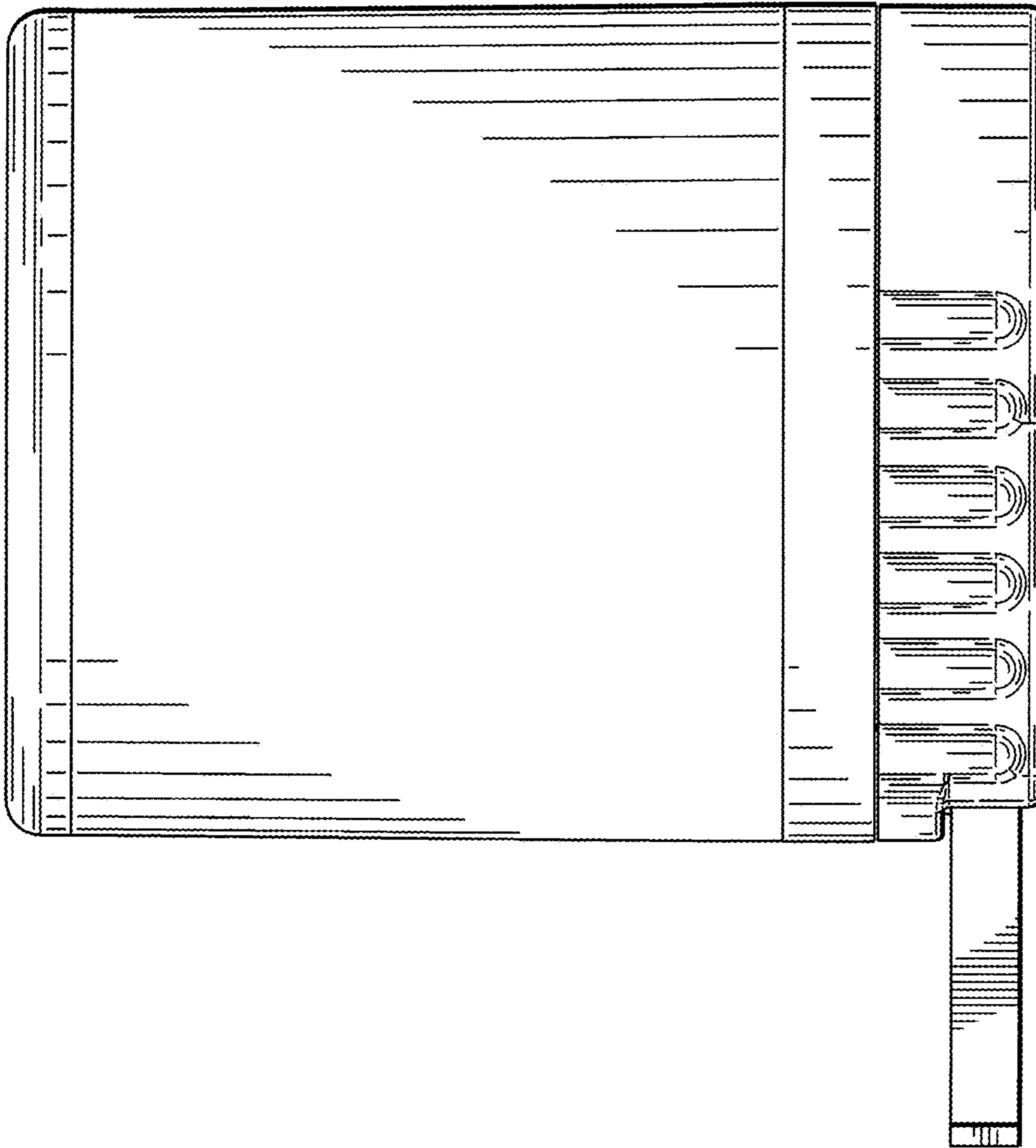


FIG. 4

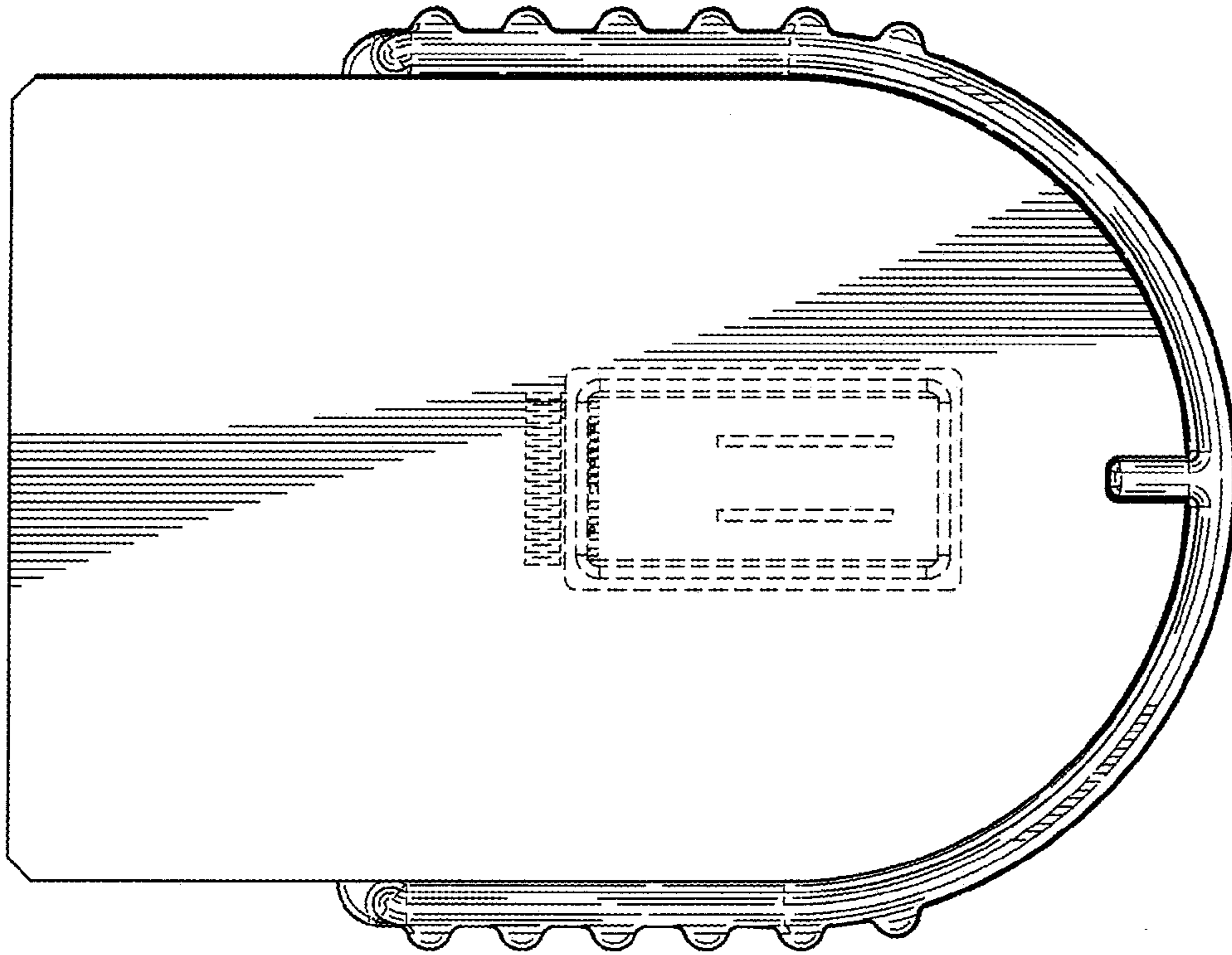


FIG. 7

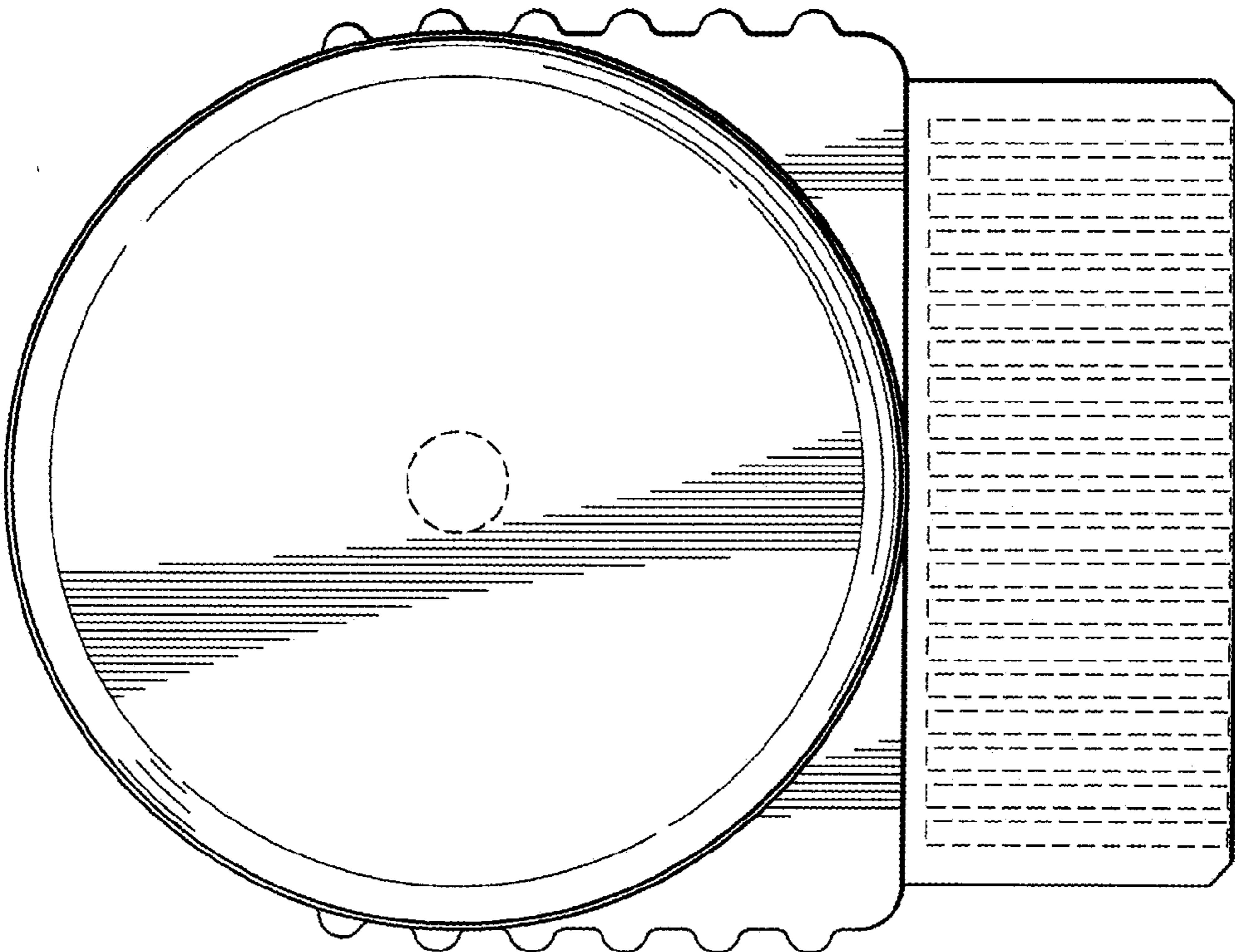


FIG. 6