

US00D697603S

(12) **United States Design Patent**  
**Hakim**

(10) **Patent No.:** **US D697,603 S**

(45) **Date of Patent:** **\*\* \*Jan. 14, 2014**

(54) **AIR FRESHENER**

(75) Inventor: **Abraham J. Hakim**, Aventura, FL (US)

(73) Assignee: **Zeeray LLC**, Neptune, NJ (US)

(\*) Notice: This patent is subject to a terminal disclaimer.

(\*\*) Term: **14 Years**

(21) Appl. No.: **29/430,549**

(22) Filed: **Aug. 27, 2012**

**Related U.S. Application Data**

(63) Continuation-in-part of application No. 29/392,520, filed on May 23, 2011, now Pat. No. Des. 667,100.

(51) **LOC (10) Cl.** ..... **28-99**

(52) **U.S. Cl.**  
USPC ..... **D23/366**

(58) **Field of Classification Search**  
USPC ..... D23/355-369; D28/5, 6; 261/DIG. 17, 261/DIG. 42, DIG. 47, DIG. 55, DIG. 65, 261/DIG. 70, DIG. 88, DIG. 89; 392/386, 392/390, 392, 394, 395; 239/34, 44, 53, 56, 239/60, 308, 326

See application file for complete search history.

(56) **References Cited**

**U.S. PATENT DOCUMENTS**

D437,041 S \* 1/2001 Eisenbraun ..... D23/366  
6,264,887 B1 \* 7/2001 Farmer ..... 422/5

D594,954	S	*	6/2009	Wheatley	.....	D23/366
D604,825	S	*	11/2009	Brandenburg	.....	D23/366
7,687,037	B2	*	3/2010	Wheatley et al.	.....	422/124
D619,692	S	*	7/2010	Hami et al.	.....	D23/366
D619,693	S	*	7/2010	Hami et al.	.....	D23/366
D619,694	S	*	7/2010	Hami et al.	.....	D23/366
D620,573	S	*	7/2010	Hami et al.	.....	D23/366
D625,798	S	*	10/2010	Hami et al.	.....	D23/367
D640,781	S	*	6/2011	Brandenburg	.....	D23/366
8,147,761	B2	*	4/2012	Wheatley et al.	.....	422/123
D667,100	S	*	9/2012	Hakim	.....	D23/366
D684,675	S	*	6/2013	Irvin et al.	.....	D23/366
8,460,609	B1	*	6/2013	Wheatley et al.	.....	422/123
2011/0108632	A1	*	5/2011	Brandenburg et al.	.....	239/34

\* cited by examiner

*Primary Examiner* — Sandra Snapp

(74) *Attorney, Agent, or Firm* — Goldberg Cohen LLP

(57) **CLAIM**

I claim the ornamental design for an air freshener, as shown and described.

**DESCRIPTION**

FIG. 1 is a perspective view of an air freshener of the present invention;

FIG. 2 is a right side view thereof;

FIG. 3 is a left side view thereof;

FIG. 4 is a back view thereof;

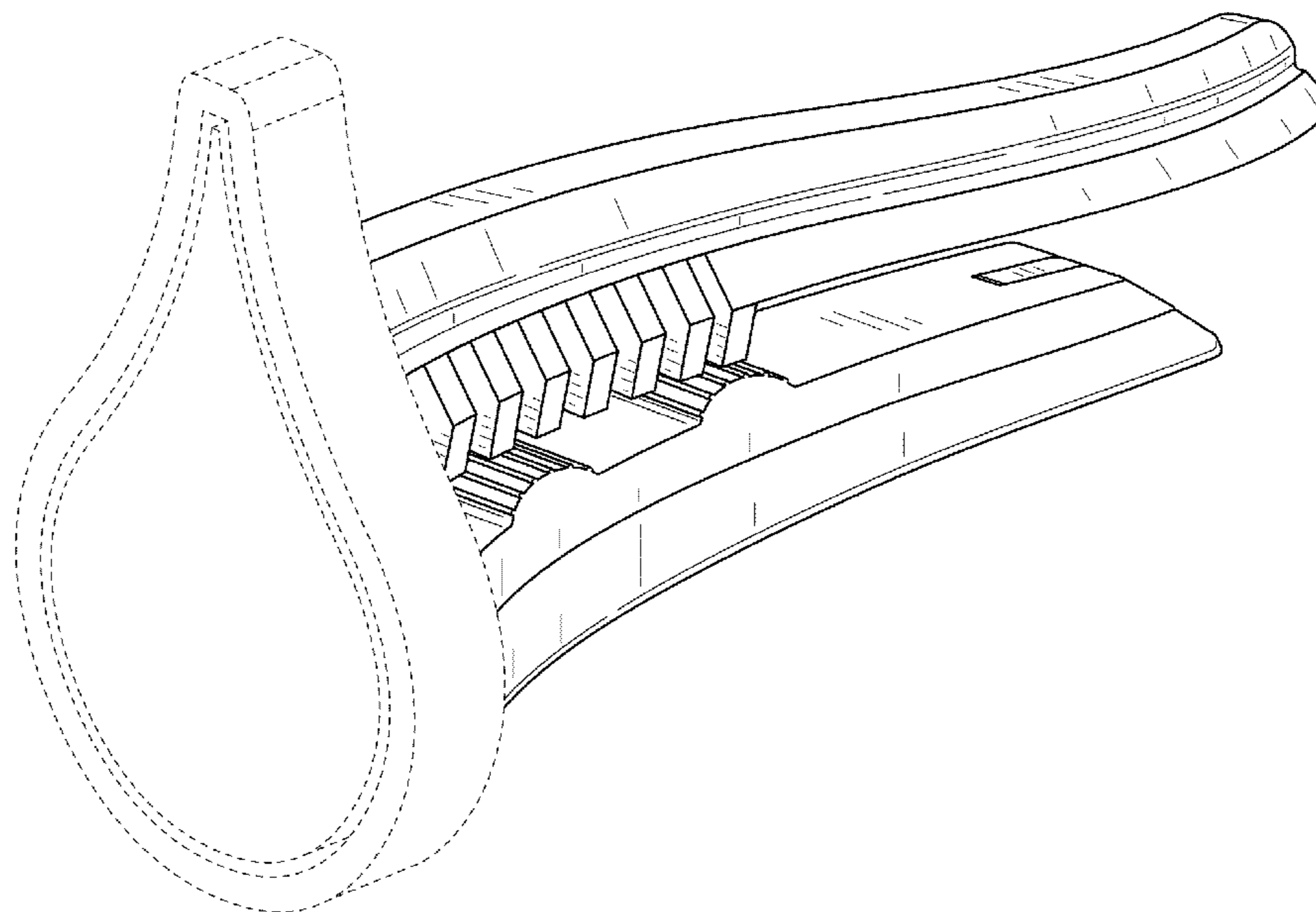
FIG. 5 is a front view thereof;

FIG. 6 is a top view thereof; and,

FIG. 7 is a bottom view thereof.

The broken lines indicate elements which do not form part of the claim herein.

**1 Claim, 5 Drawing Sheets**



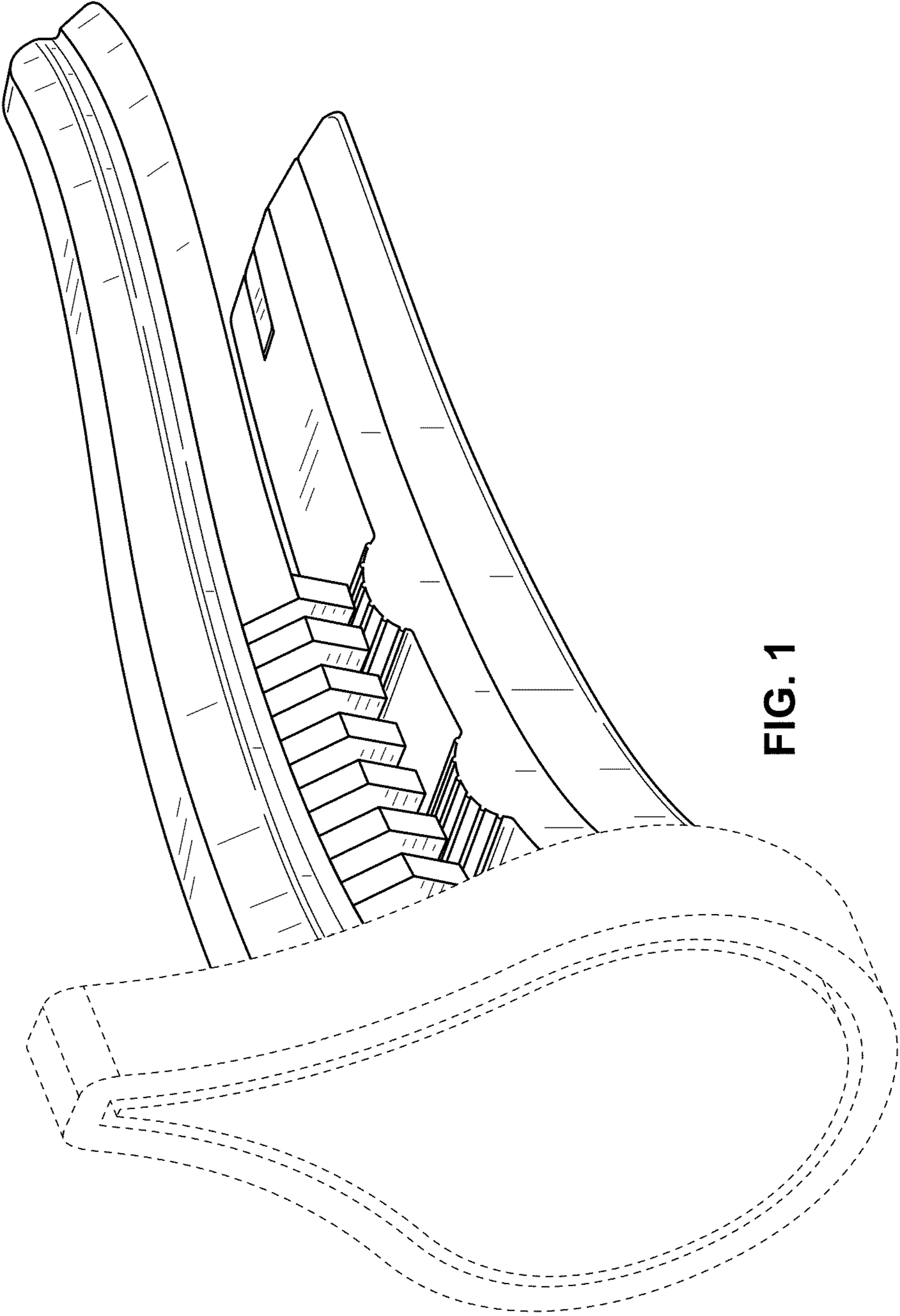


FIG. 1

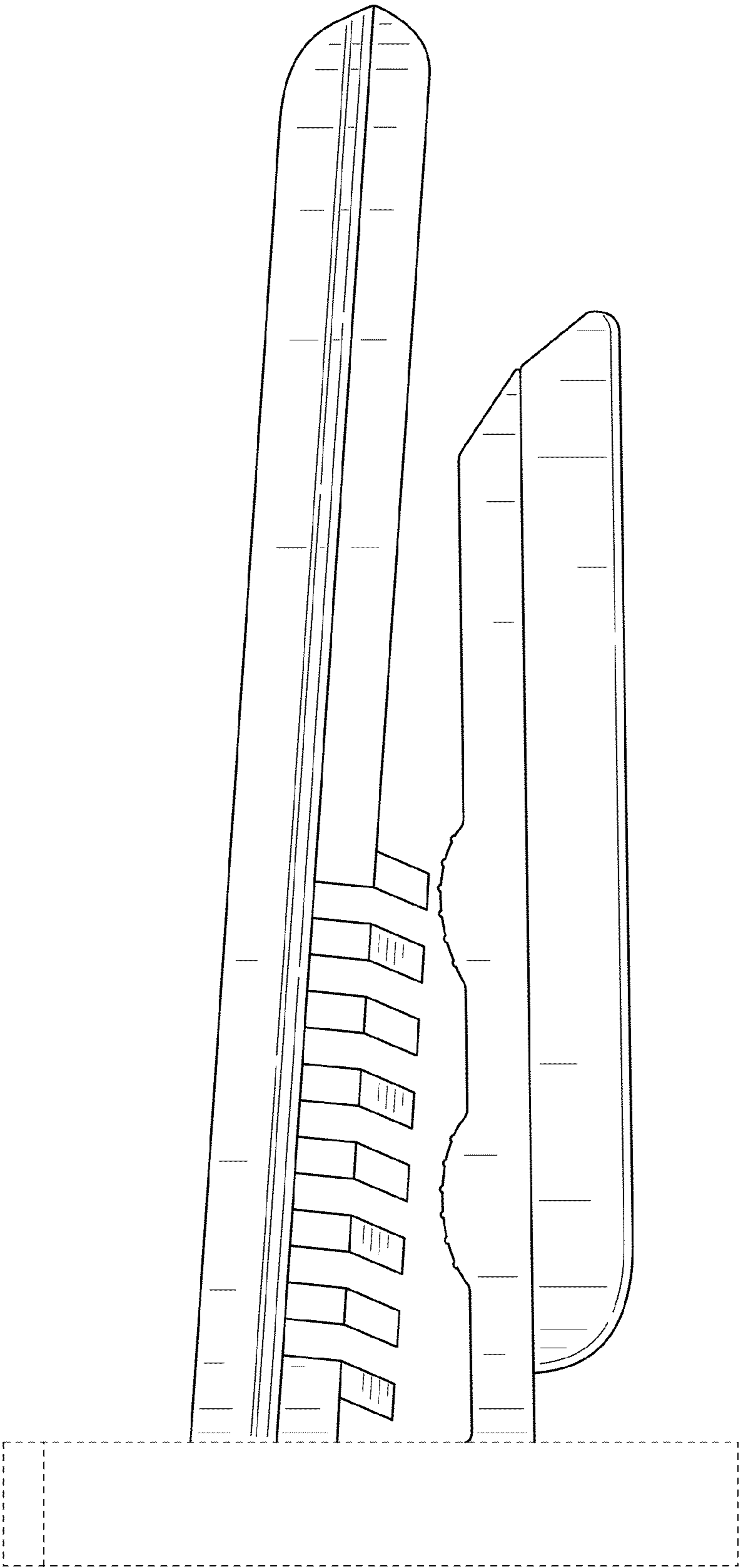


FIG. 2

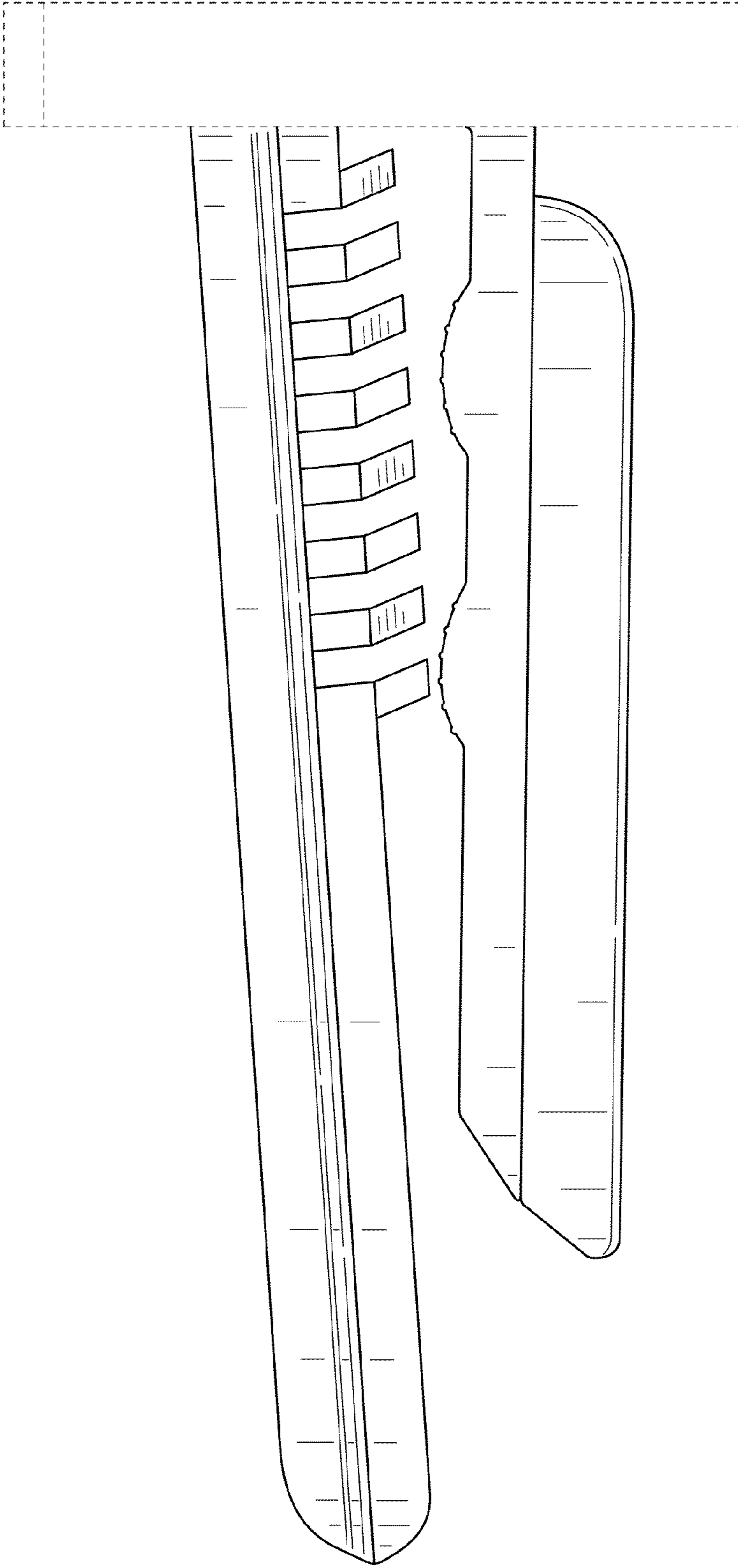


FIG. 3

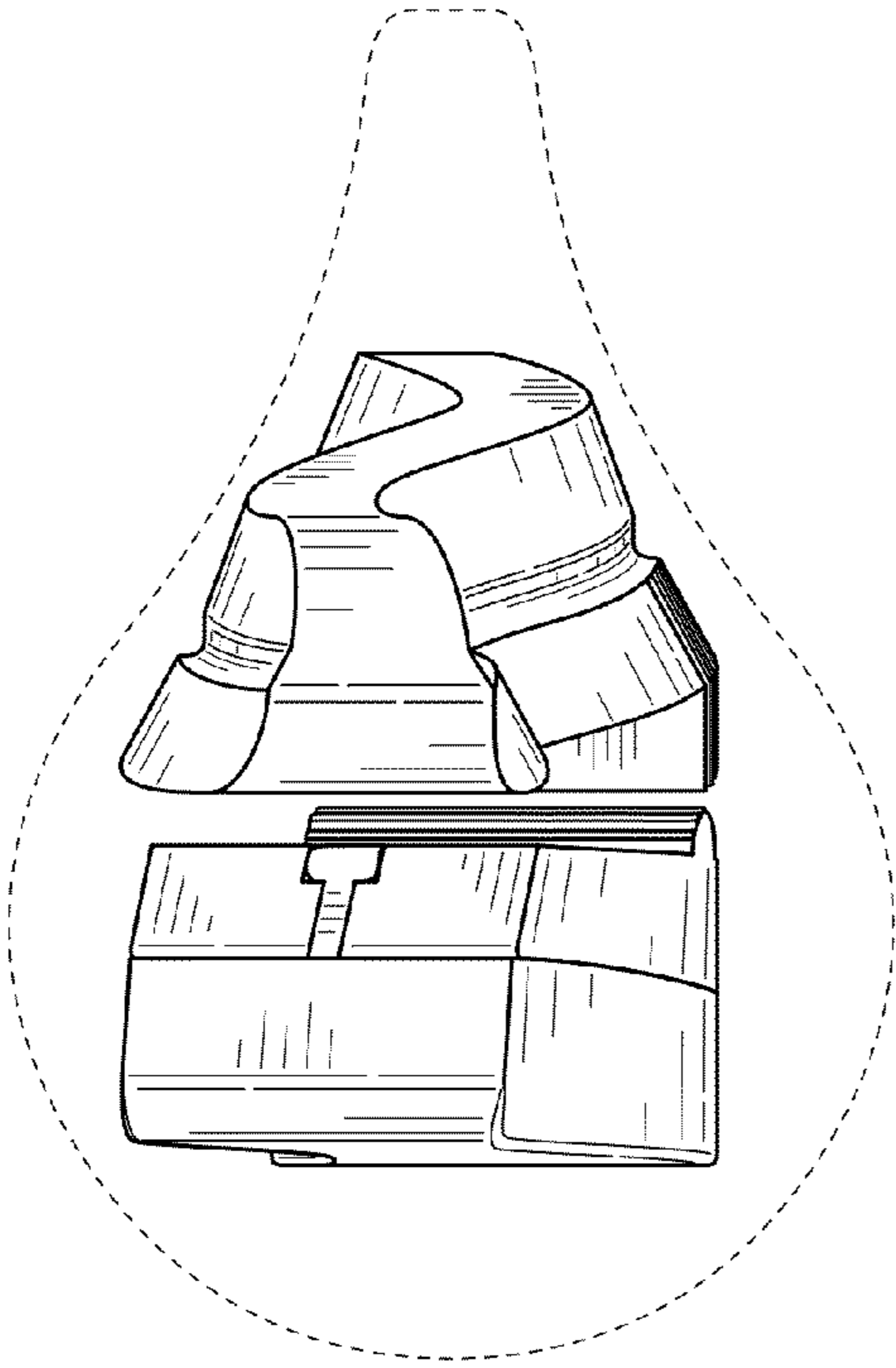


FIG. 4

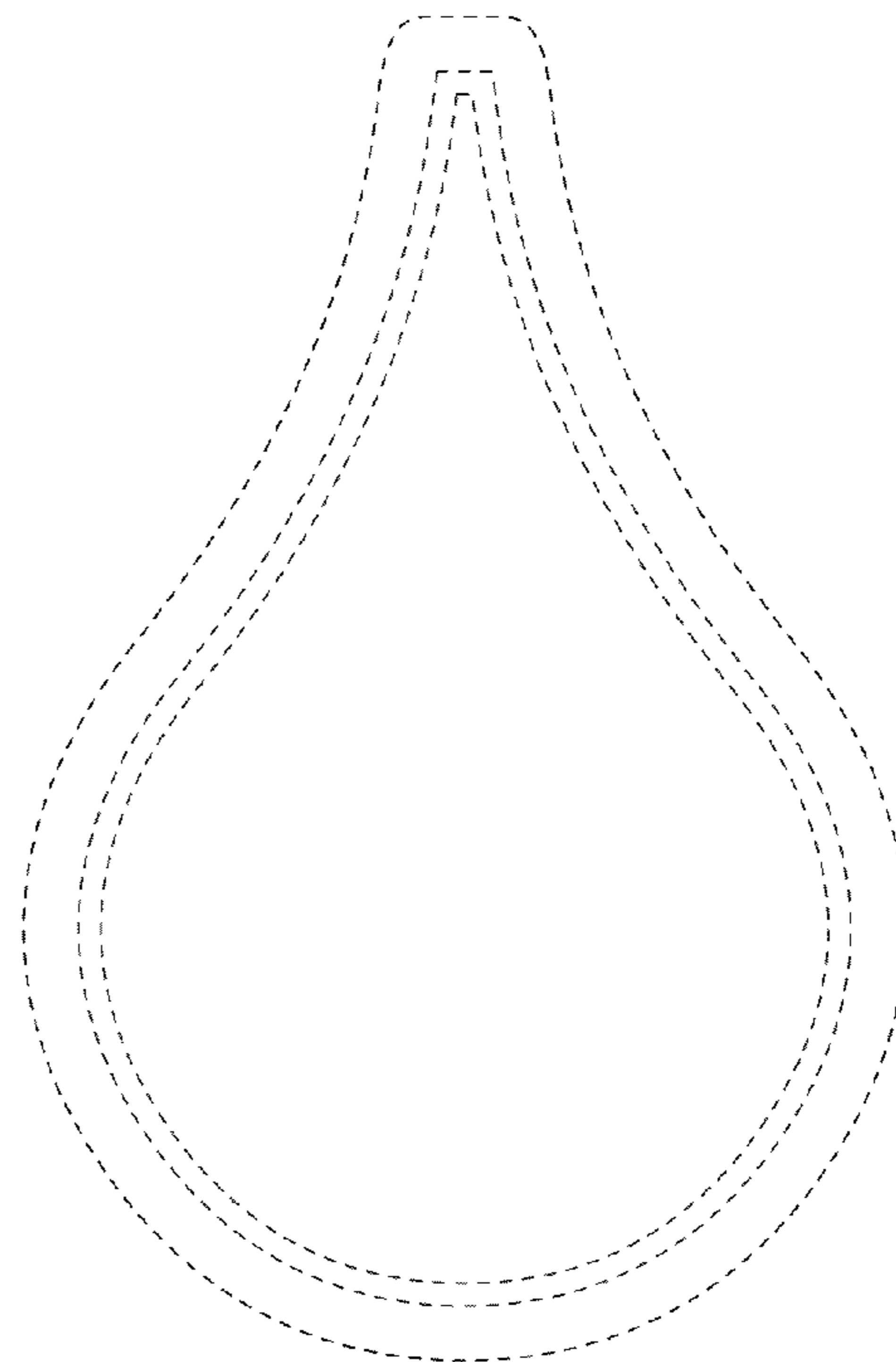


FIG. 5

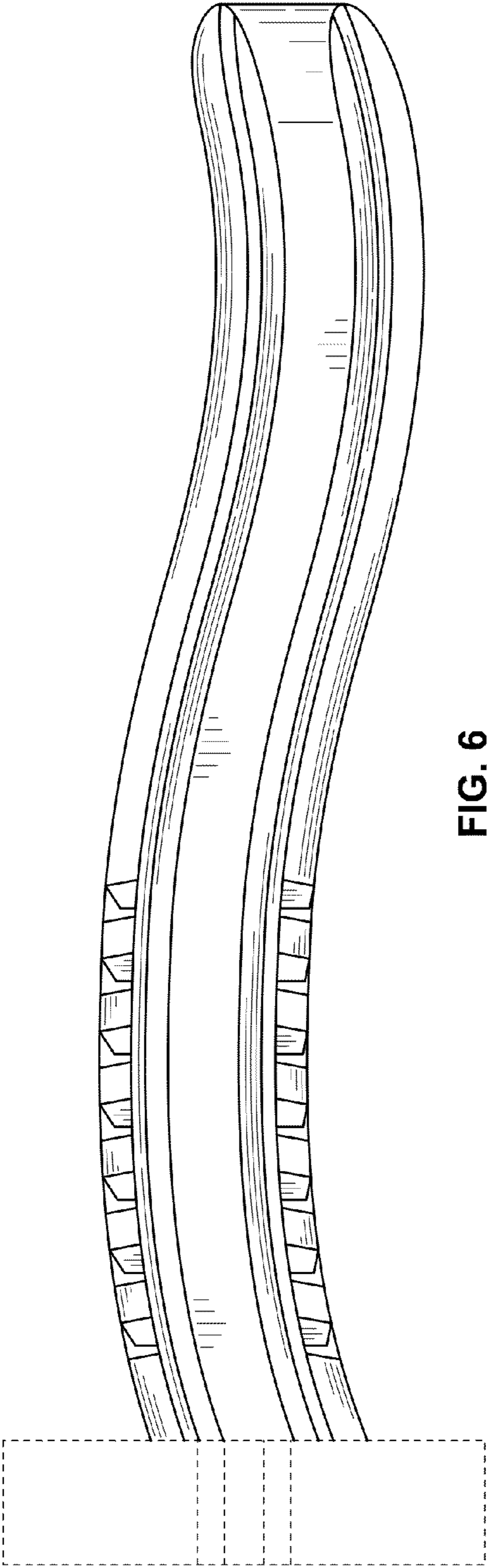


FIG. 6

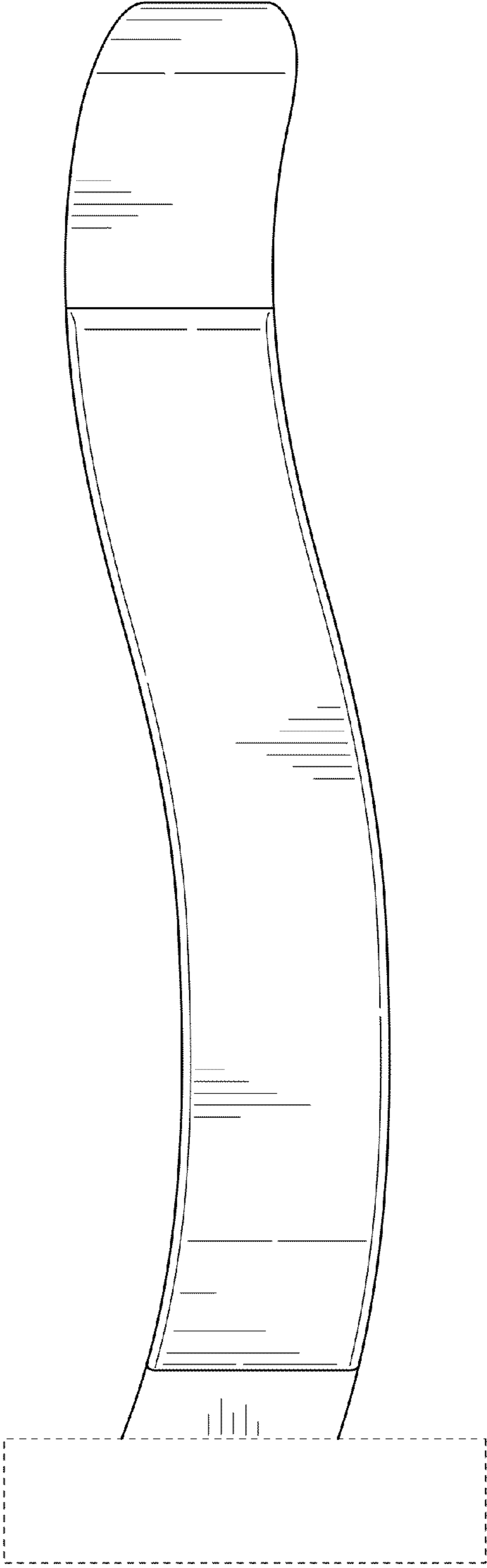


FIG. 7