

US00D697596S

(12) **United States Design Patent**  
**Spangler**

(10) **Patent No.:** **US D697,596 S**  
(45) **Date of Patent:** **\*\* Jan. 14, 2014**

(54) **SINK**

(56) **References Cited**

(71) Applicant: **Masco Corporation of Indiana,**  
Indianapolis, IN (US)

U.S. PATENT DOCUMENTS

(72) Inventor: **Anthony Spangler,** Indianapolis, IN  
(US)

D473,293 S \* 4/2003 Piatt ..... D23/293.1  
D545,416 S \* 6/2007 Maruhashi et al. .... D23/293.1  
D636,855 S \* 4/2011 Thomas ..... D23/293.1

\* cited by examiner

(73) Assignee: **Masco Corporation of Indiana,**  
Indianapolis, IN (US)

*Primary Examiner* — Robert Delehanty  
(74) *Attorney, Agent, or Firm* — Edgar A. Zarins; Nirav D. Parikh

(\*\*) Term: **14 Years**

(57) **CLAIM**  
The ornamental design for a sink, as shown and described.

(21) Appl. No.: **29/457,215**

**DESCRIPTION**

(22) Filed: **Jun. 7, 2013**

(51) **LOC (10) Cl.** ..... **23-02**

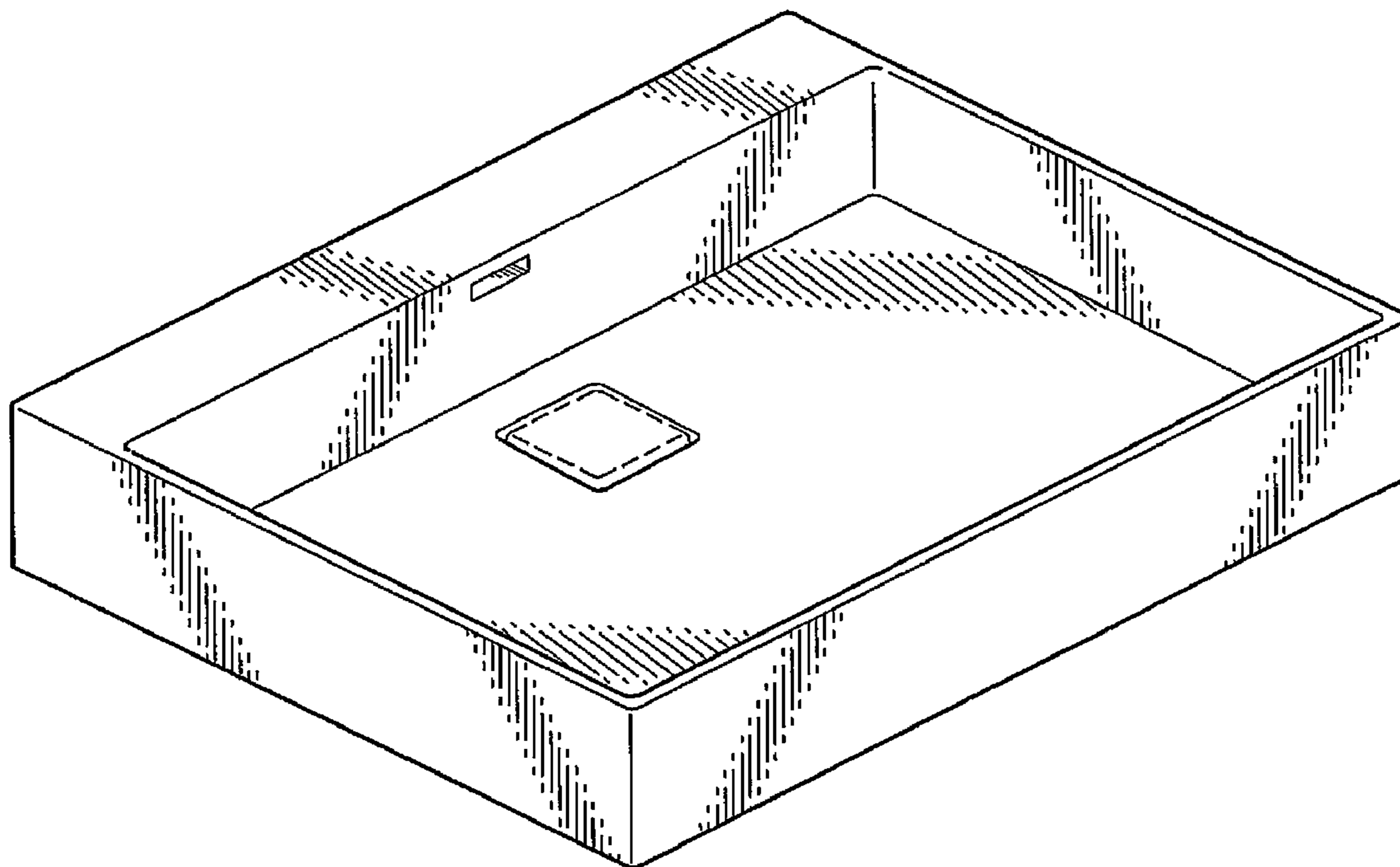
(52) **U.S. Cl.**  
USPC ..... **D23/293.1**

(58) **Field of Classification Search**  
USPC ..... D23/272–274, 284, 286, 292–293.1,  
D23/303, 308; 4/619

FIG. 1 is a perspective view of a sink showing my new design;  
FIG. 2 is a top plan view thereof;  
FIG. 3 is a right side view thereof;  
FIG. 4 is a left side view thereof;  
FIG. 5 is a front elevational view thereof; and,  
FIG. 6 is a bottom view thereof.  
The broken lines showing portions of the claimed design form  
no part thereof.

See application file for complete search history.

**1 Claim, 2 Drawing Sheets**



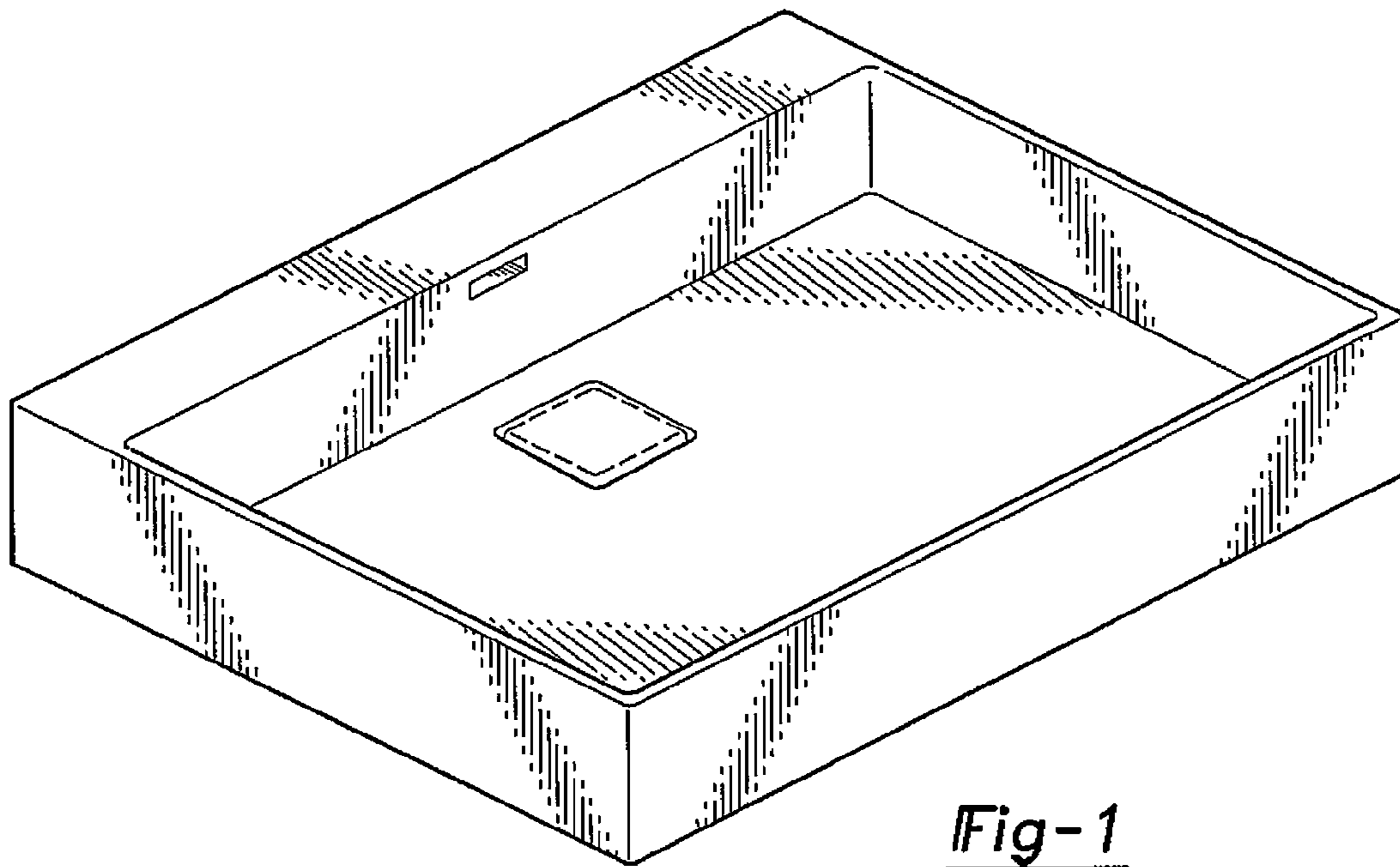


Fig-1

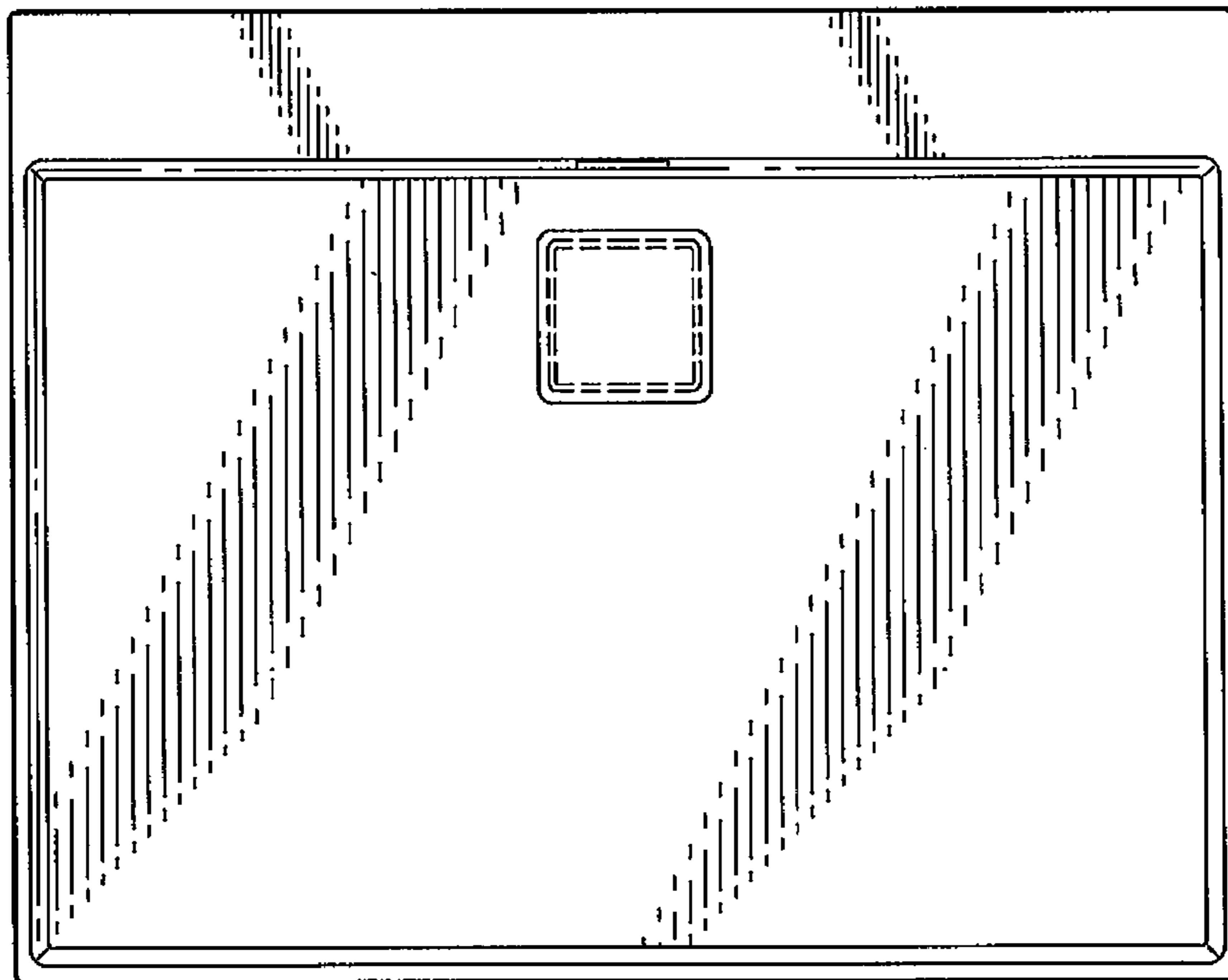


Fig-2



Fig-3

Fig-4

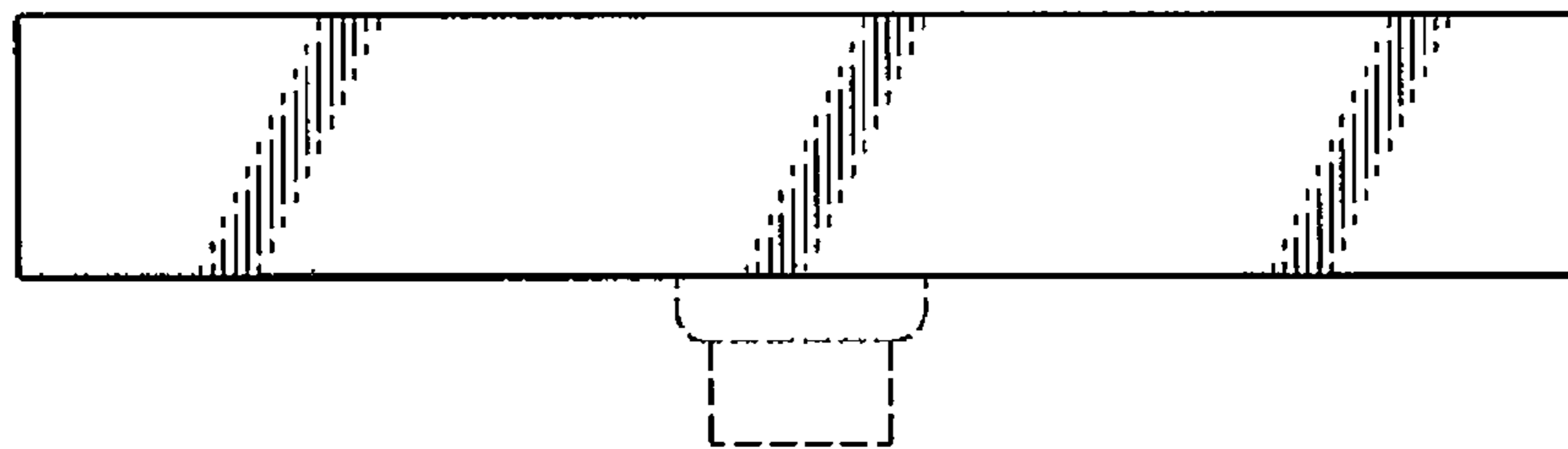
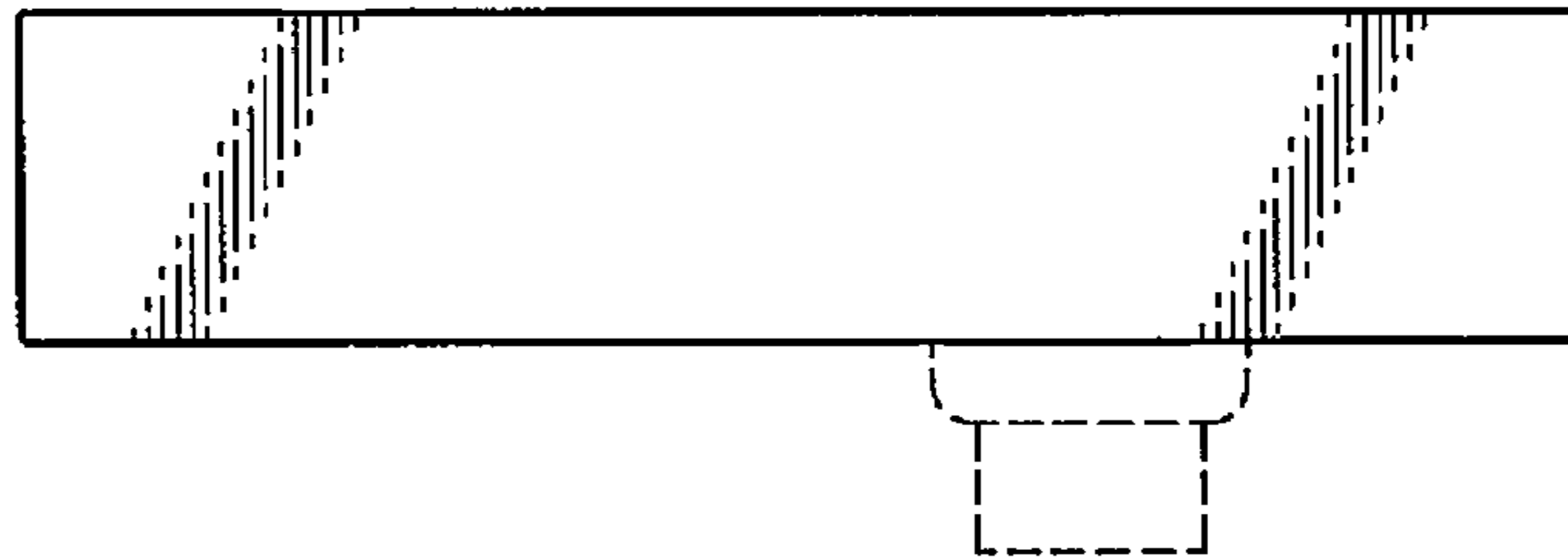


Fig-5

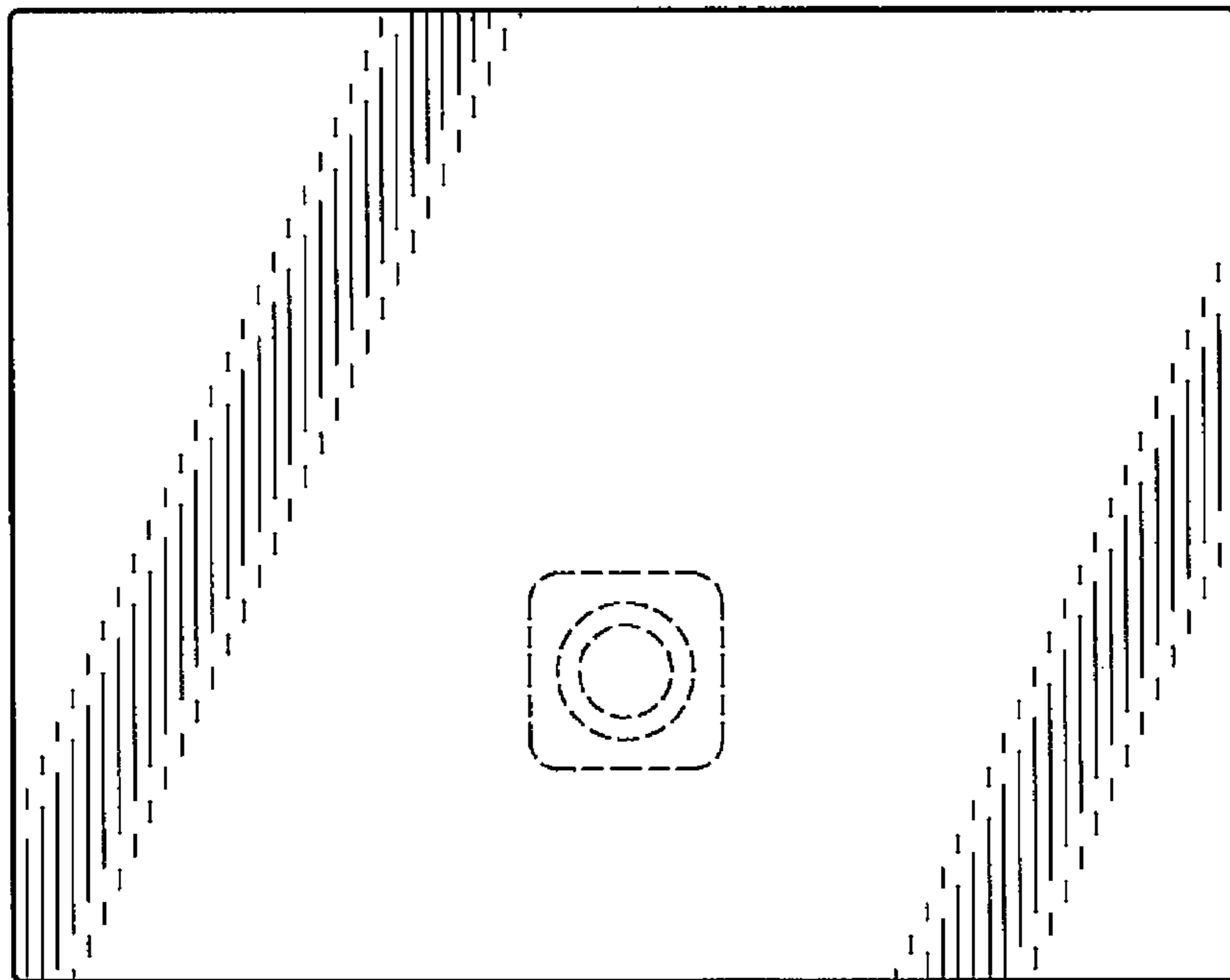


Fig-6