



US00D697595S

(12) **United States Design Patent**
Spangler

(10) **Patent No.:** **US D697,595 S**

(45) **Date of Patent:** **** Jan. 14, 2014**

(54) **SINK**

D455,200 S * 4/2002 Marshall D23/284
D560,774 S * 1/2008 Lin et al. D23/293.1
D602,134 S * 10/2009 Schonherr et al. D23/284

(71) Applicant: **Masco Corporation of Indiana,**
Indianapolis, IN (US)

* cited by examiner

(72) Inventor: **Anthony Spangler,** Indianapolis, IN
(US)

Primary Examiner — Robert Delehanty

(74) *Attorney, Agent, or Firm* — Edgar A. Zarins; Nirav D.
Parikh

(73) Assignee: **Masco Corporation of Indiana,**
Indianapolis, IN (US)

(**) Term: **14 Years**

(57) **CLAIM**

The ornamental design for a sink, as shown and described.

(21) Appl. No.: **29/457,220**

(22) Filed: **Jun. 7, 2013**

(51) **LOC (10) Cl.** **23-02**

(52) **U.S. Cl.**
USPC **D23/284**

(58) **Field of Classification Search**
USPC D23/272–274, 284, 286, 292–293.1,
D23/303, 308; 4/619

See application file for complete search history.

(56) **References Cited**

U.S. PATENT DOCUMENTS

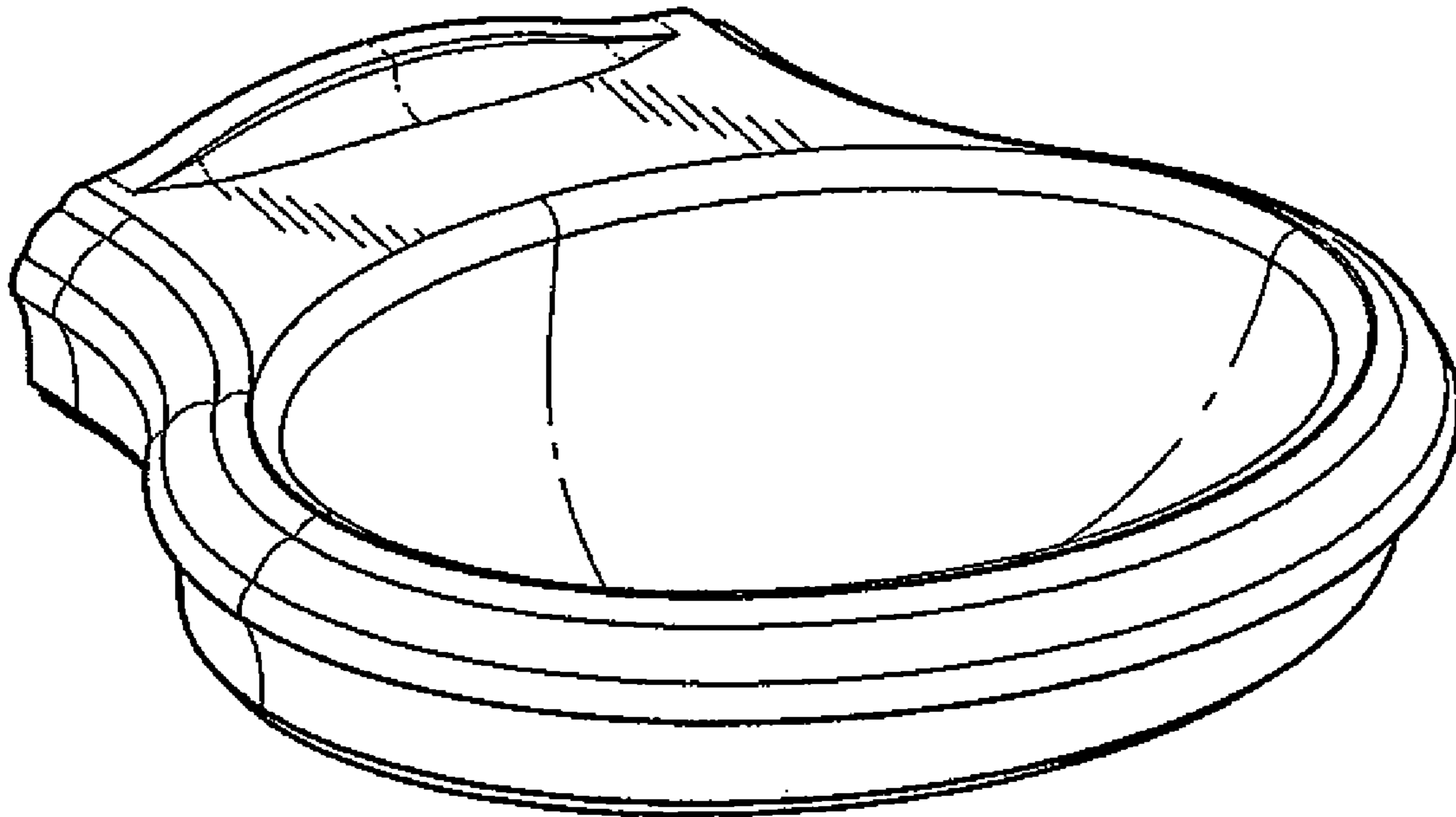
D428,476 S * 7/2000 Abolafia D23/284

DESCRIPTION

FIG. 1 is a perspective view of a sink showing my new design;
FIG. 2 is a top plan view thereof;
FIG. 3 is a front elevational view thereof;
FIG. 4 is a bottom view thereof;
FIG. 5 is a right side view thereof;
FIG. 6 is a left side view thereof; and,
FIG. 7 is a rear view thereof.

The broken lines showing portions of the claimed design form
no part thereof.

1 Claim, 2 Drawing Sheets



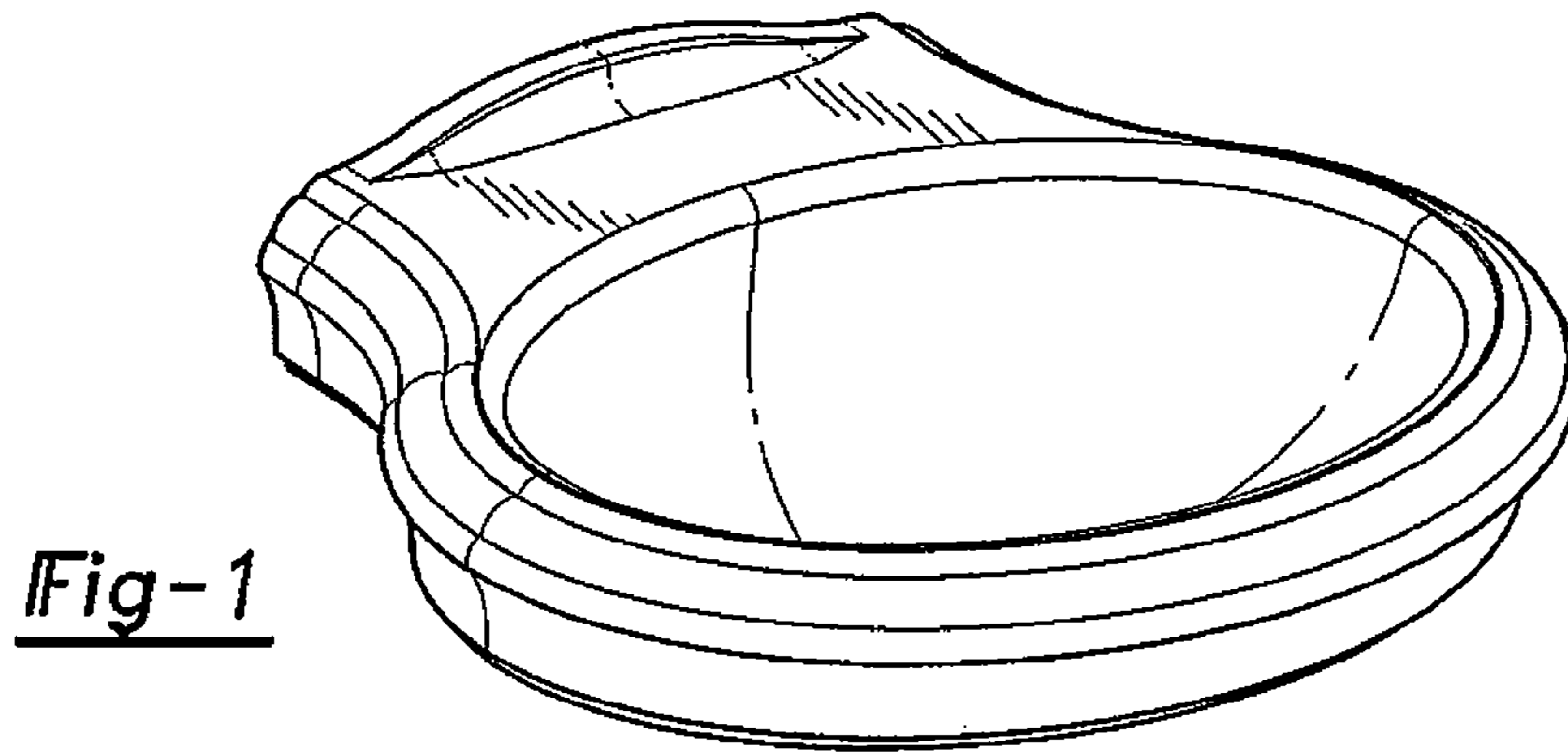


Fig-1

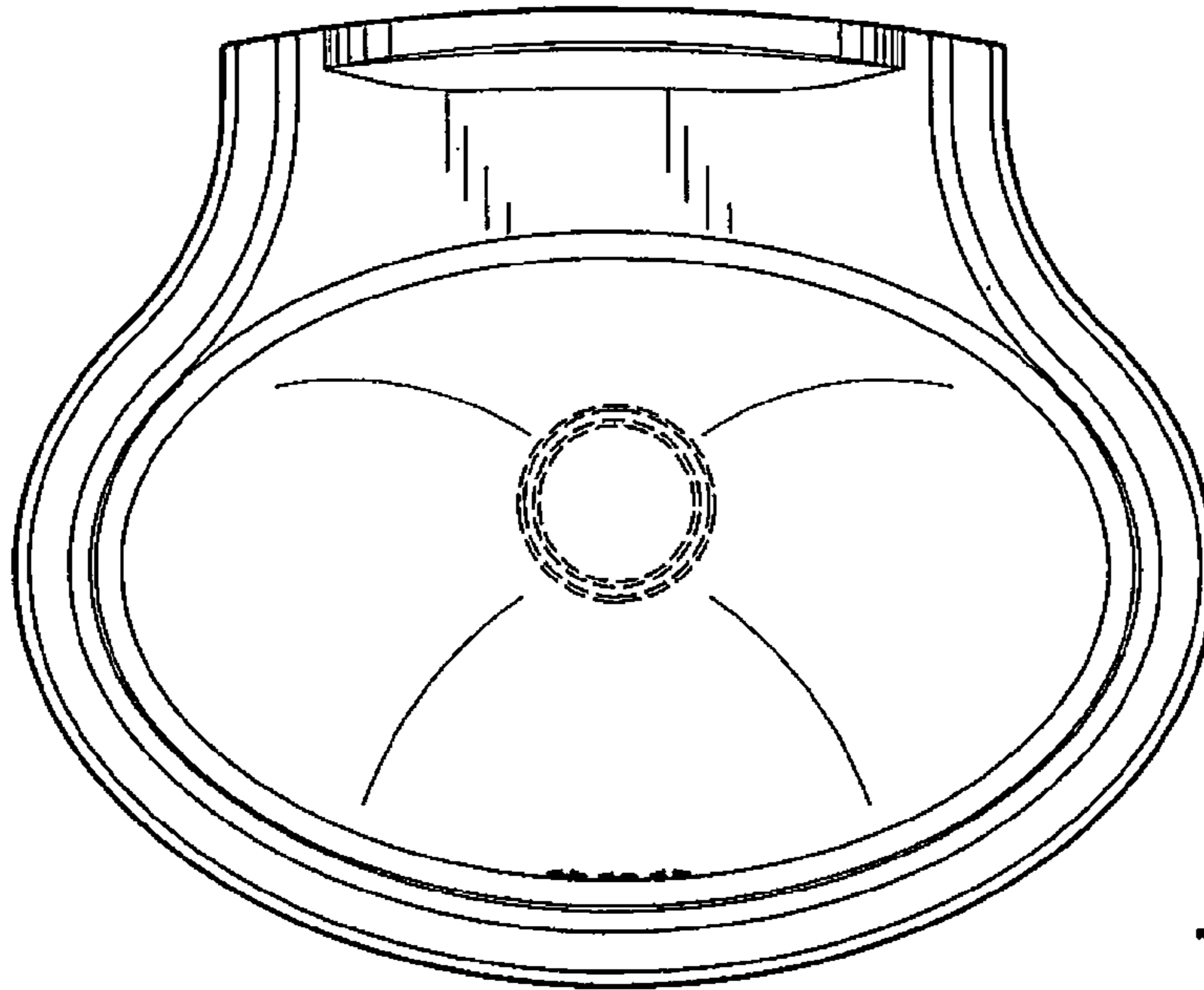


Fig-2

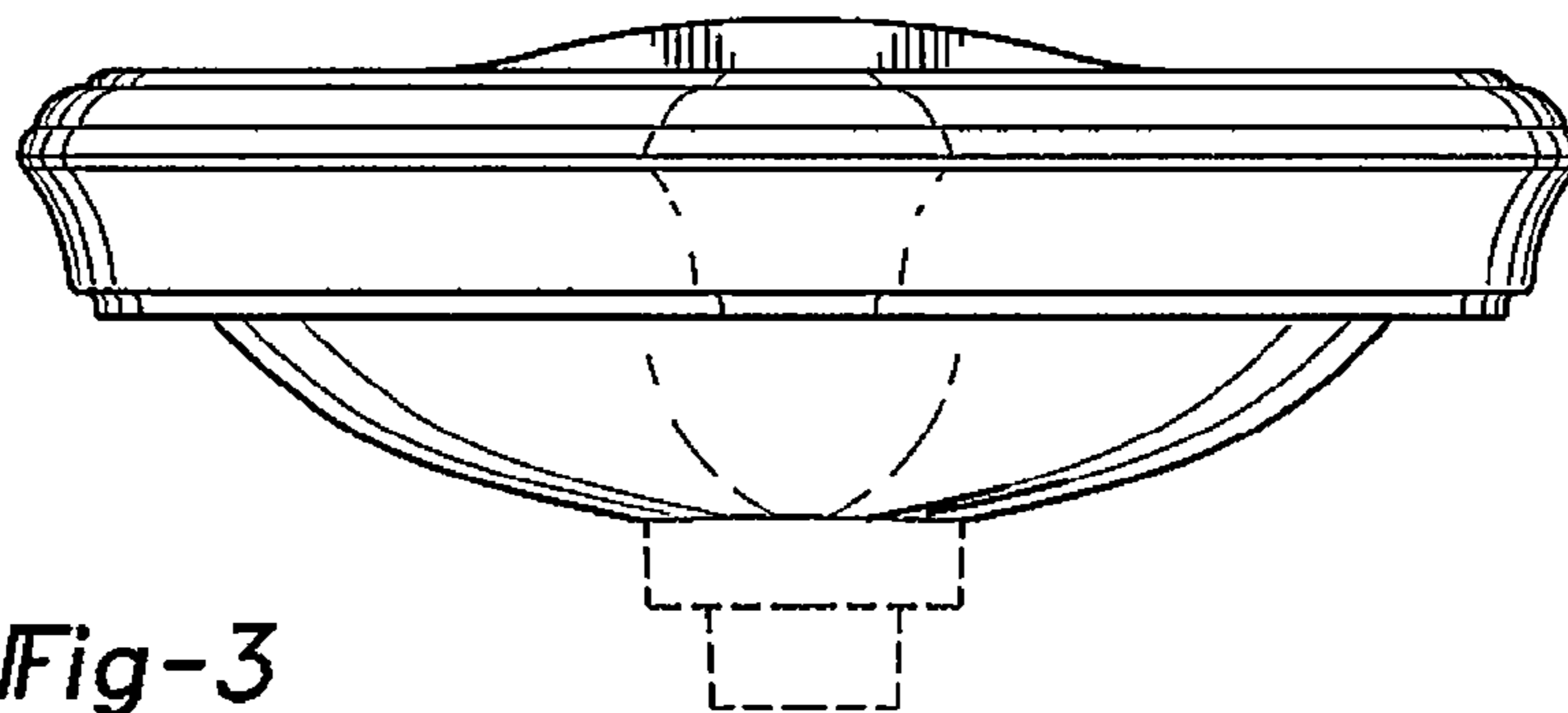


Fig-3

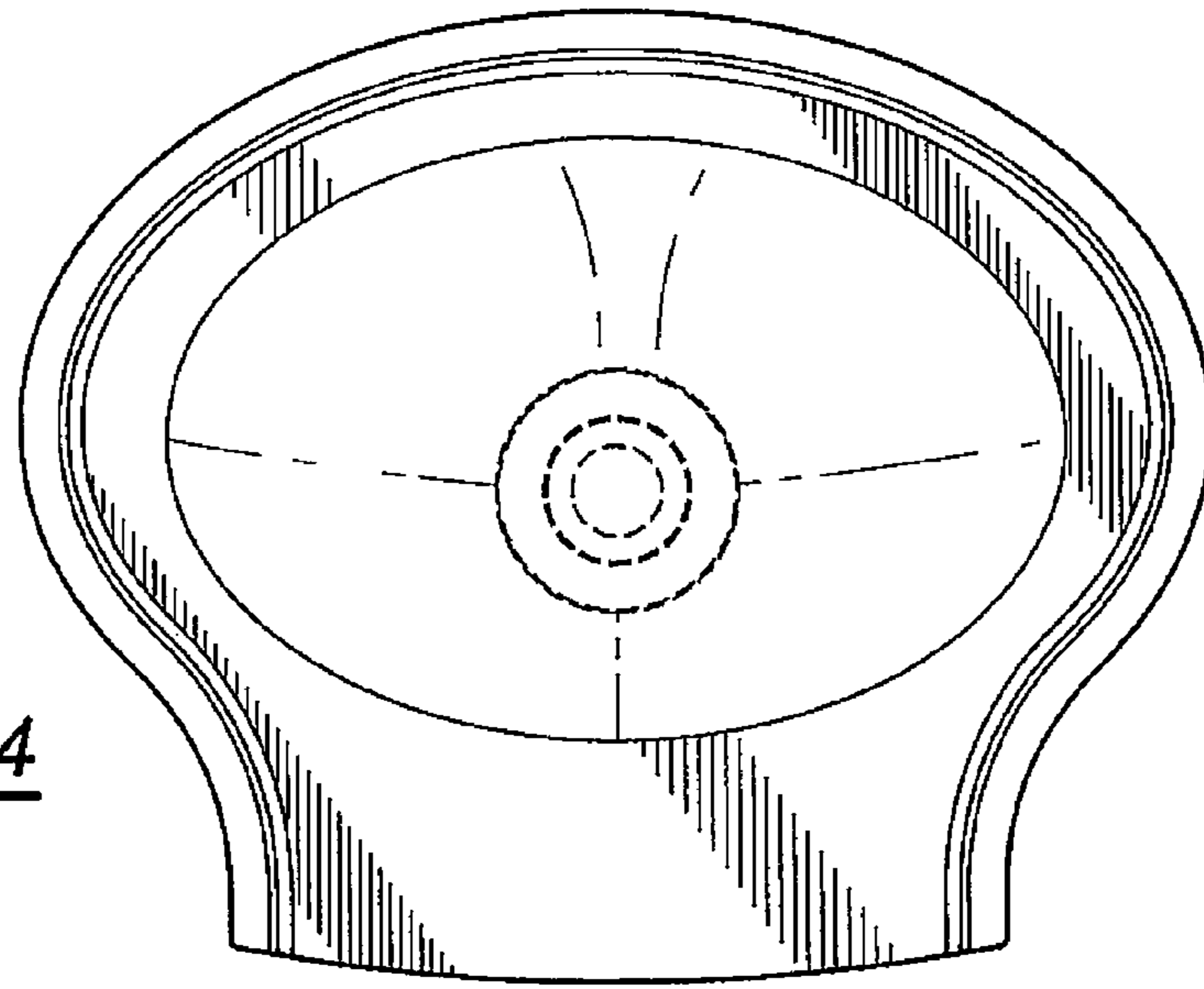


Fig-4

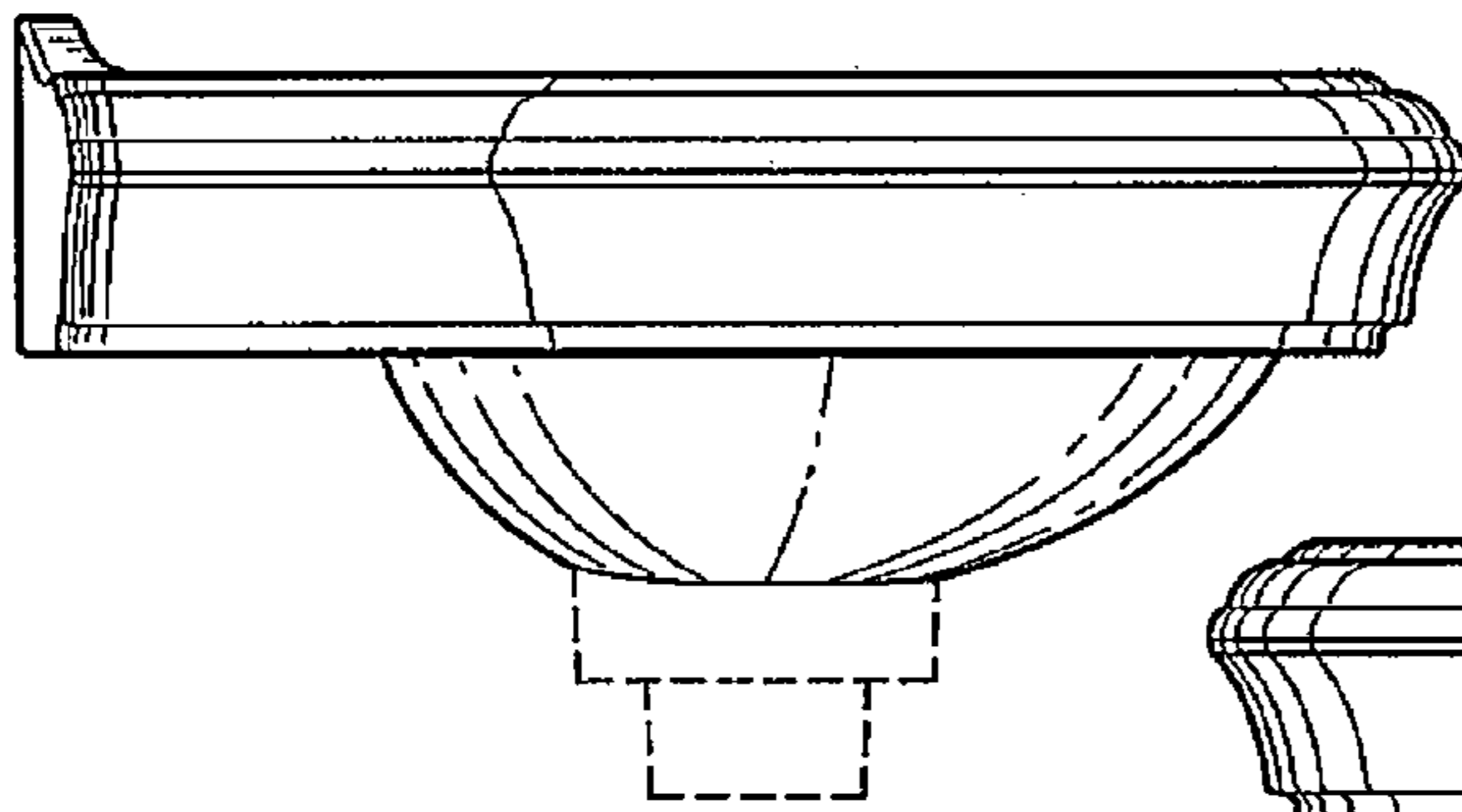


Fig-5

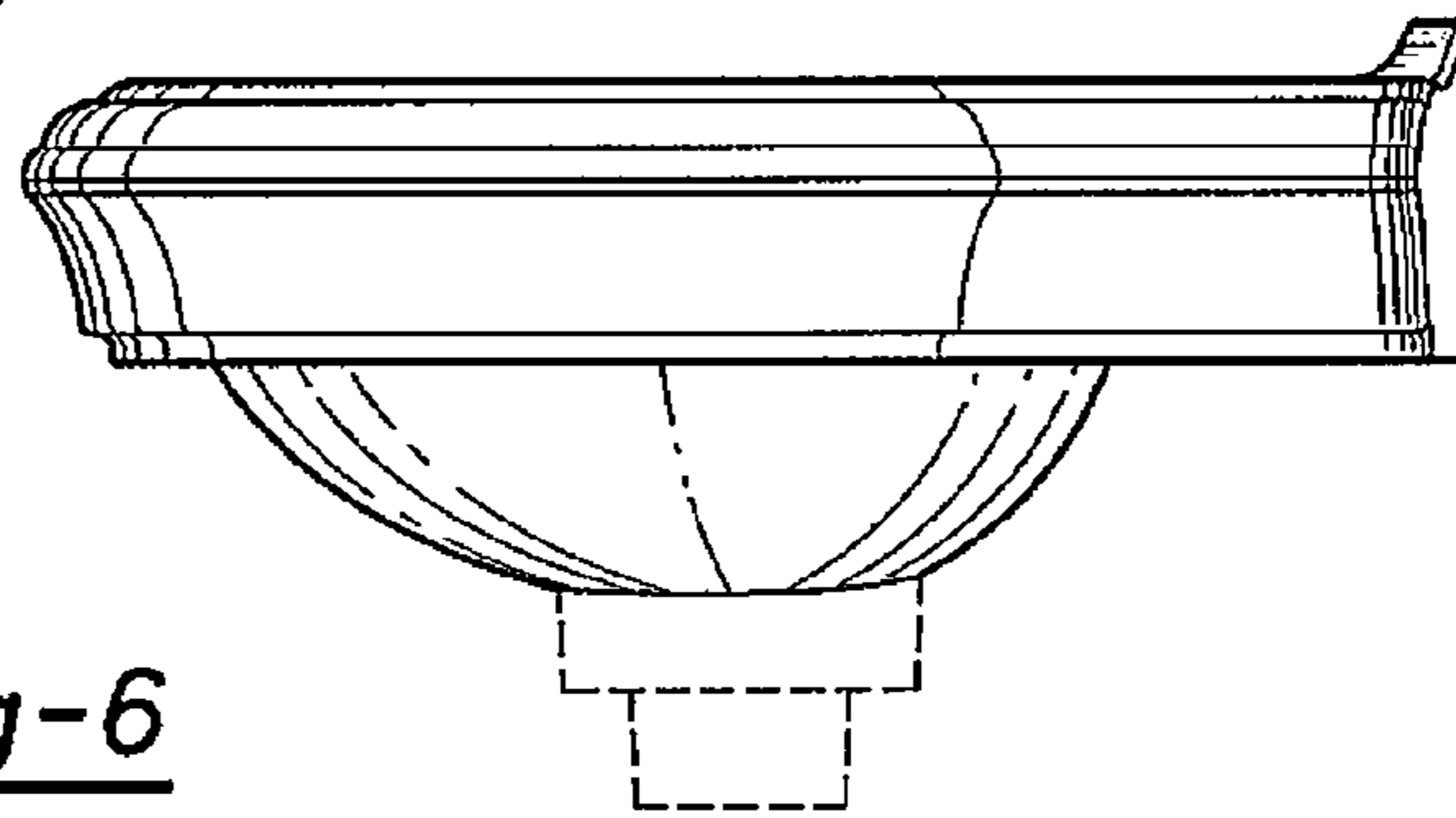


Fig-6

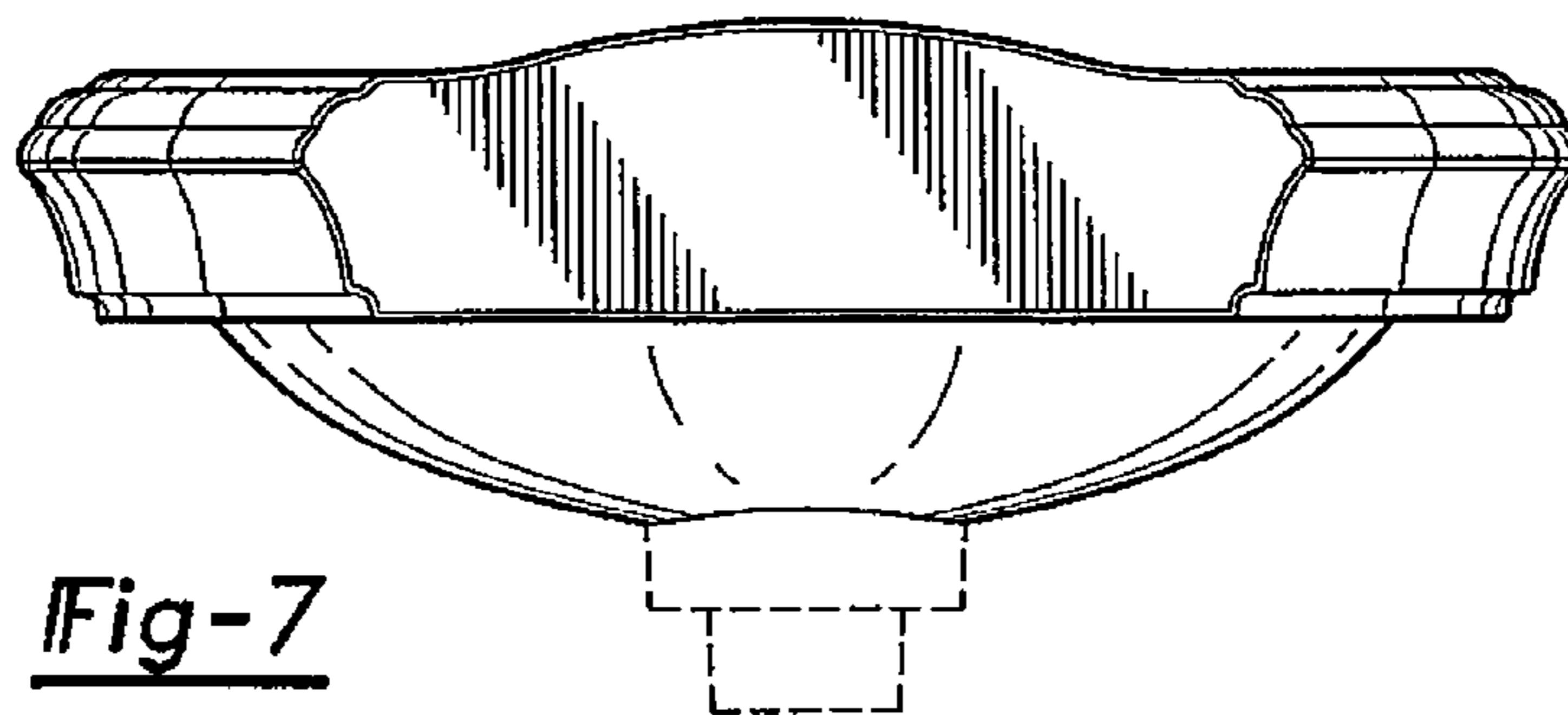


Fig-7