



US00D697593S

(12) **United States Design Patent**
Sills

(10) **Patent No.:** **US D697,593 S**
(45) **Date of Patent:** **** Jan. 14, 2014**

(54) **BATH TUB WITH MOLDED SEAT AND
TAMBOUR SIDE DOOR**

8,375,478 B2 * 2/2013 Luo 4/556

* cited by examiner

(71) Applicant: **Arthur A. Sills**, Traverse City, MI (US)

Primary Examiner — Robert Delehanty

(72) Inventor: **Arthur A. Sills**, Traverse City, MI (US)

(74) *Attorney, Agent, or Firm* — Robert L. Farris; Farris Law, P.C.

(**) Term: **14 Years**

(57) **CLAIM**

(21) Appl. No.: **29/450,815**

The ornamental design for a bath tub with molded seat and tambour side door, shown and described.

(22) Filed: **Mar. 22, 2013**

DESCRIPTION

(51) **LOC (10) Cl.** **23-02**

(52) **U.S. Cl.**
USPC **D23/279**

(58) **Field of Classification Search**
USPC D23/279, 304–306; 4/555–557, 546,
4/578.1, 590

See application file for complete search history.

FIG. 1 is a perspective view of the bath tub with the molded seat and tambour side door retracted and open;
FIG. 2 is a top plan view of the bath tub with molded seat and the tambour side door extended and closed;
FIG. 3 is a side elevational view of the bath tub with the side door retracted and open;
FIG. 4 is a first end elevational view of the bath tub;
FIG. 5 is second end elevational view of the bath tub;
FIG. 6 is a rear elevational view of the bath tub; and,
FIG. 7 is a perspective view of the bath tub with molded seat and the tambour side door closed.

(56) **References Cited**

U.S. PATENT DOCUMENTS

D355,245 S * 2/1995 Sills et al. D23/279
5,446,929 A * 9/1995 Sills et al. 4/555

1 Claim, 4 Drawing Sheets

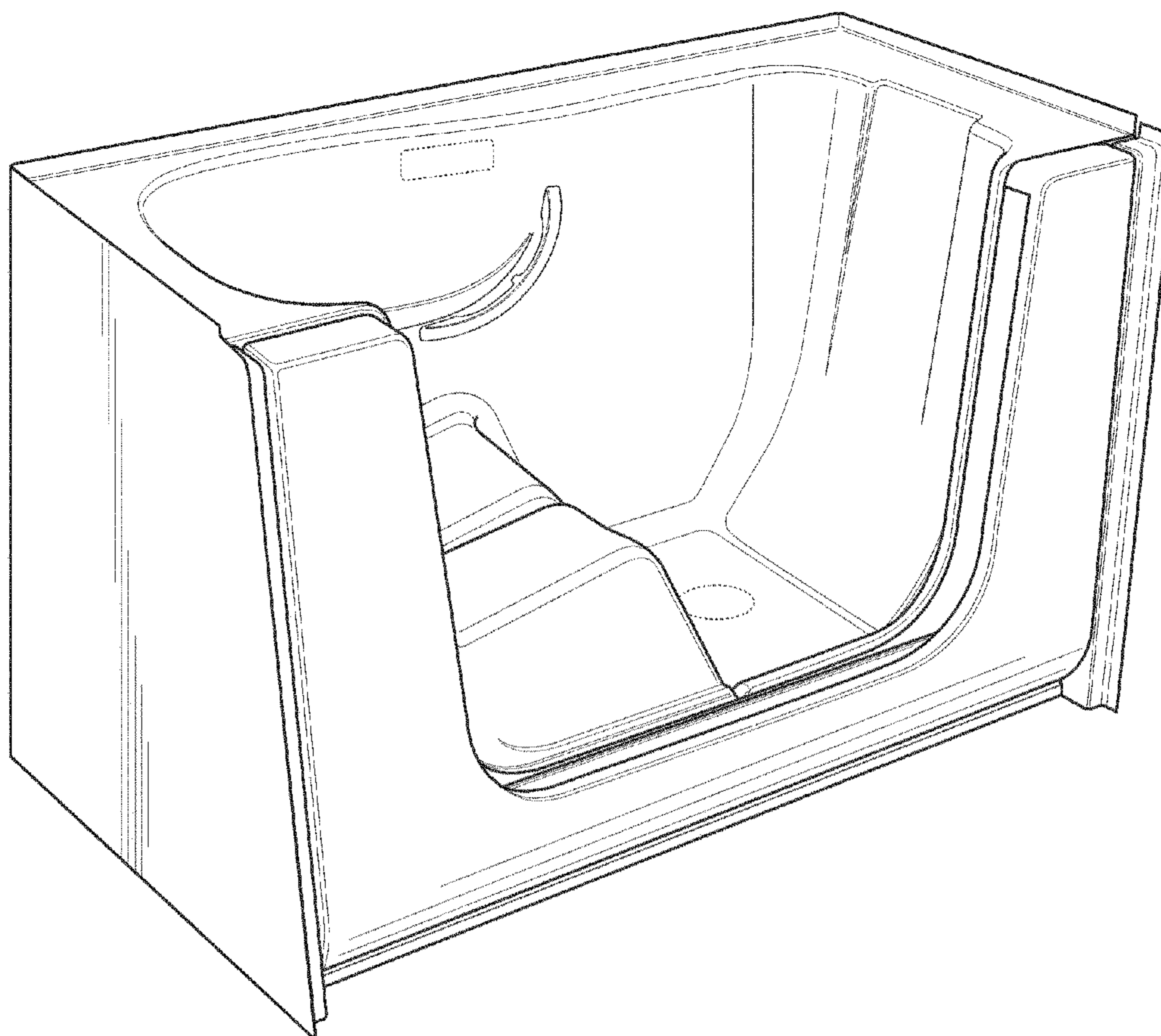


FIG. 1

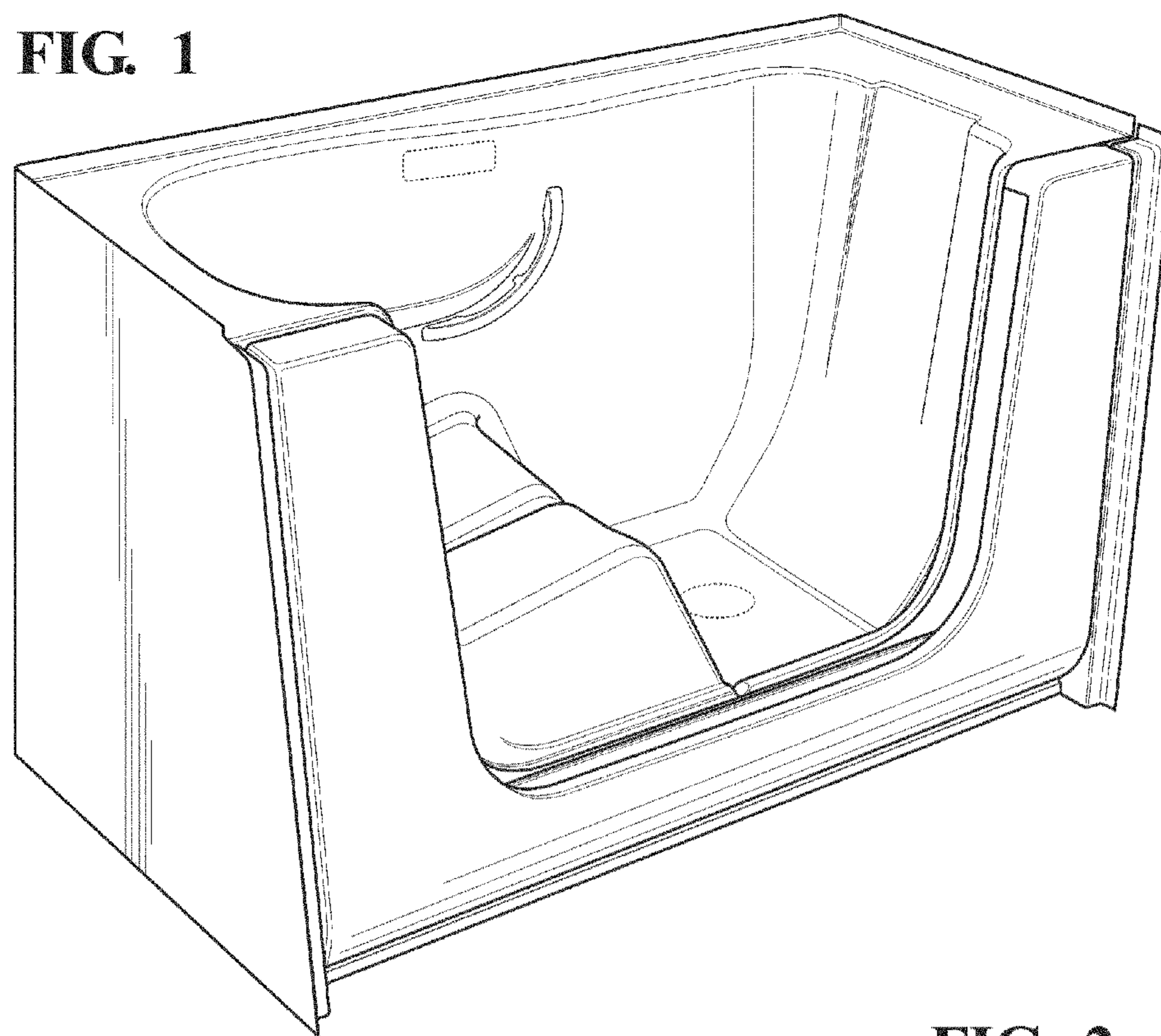
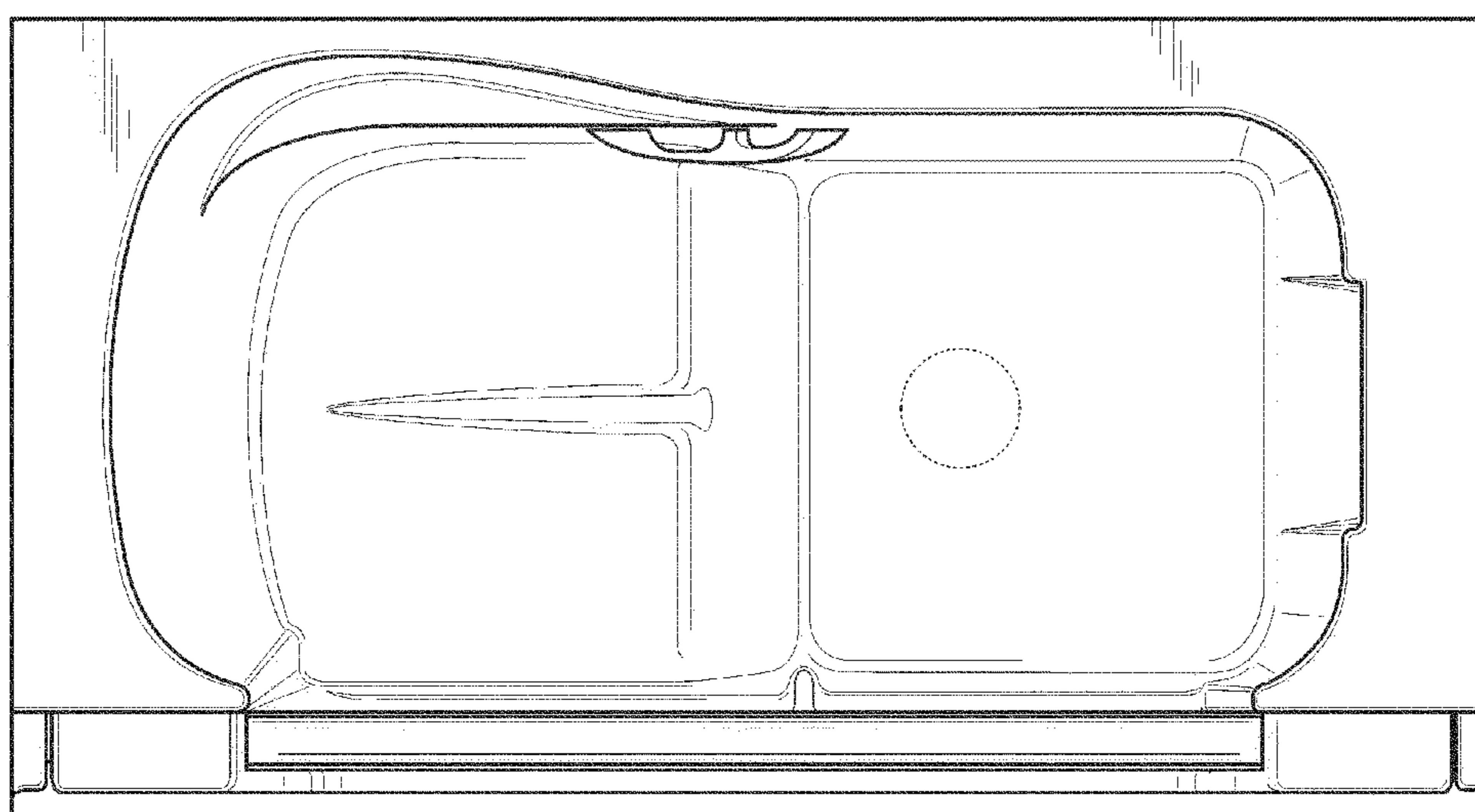


FIG. 2



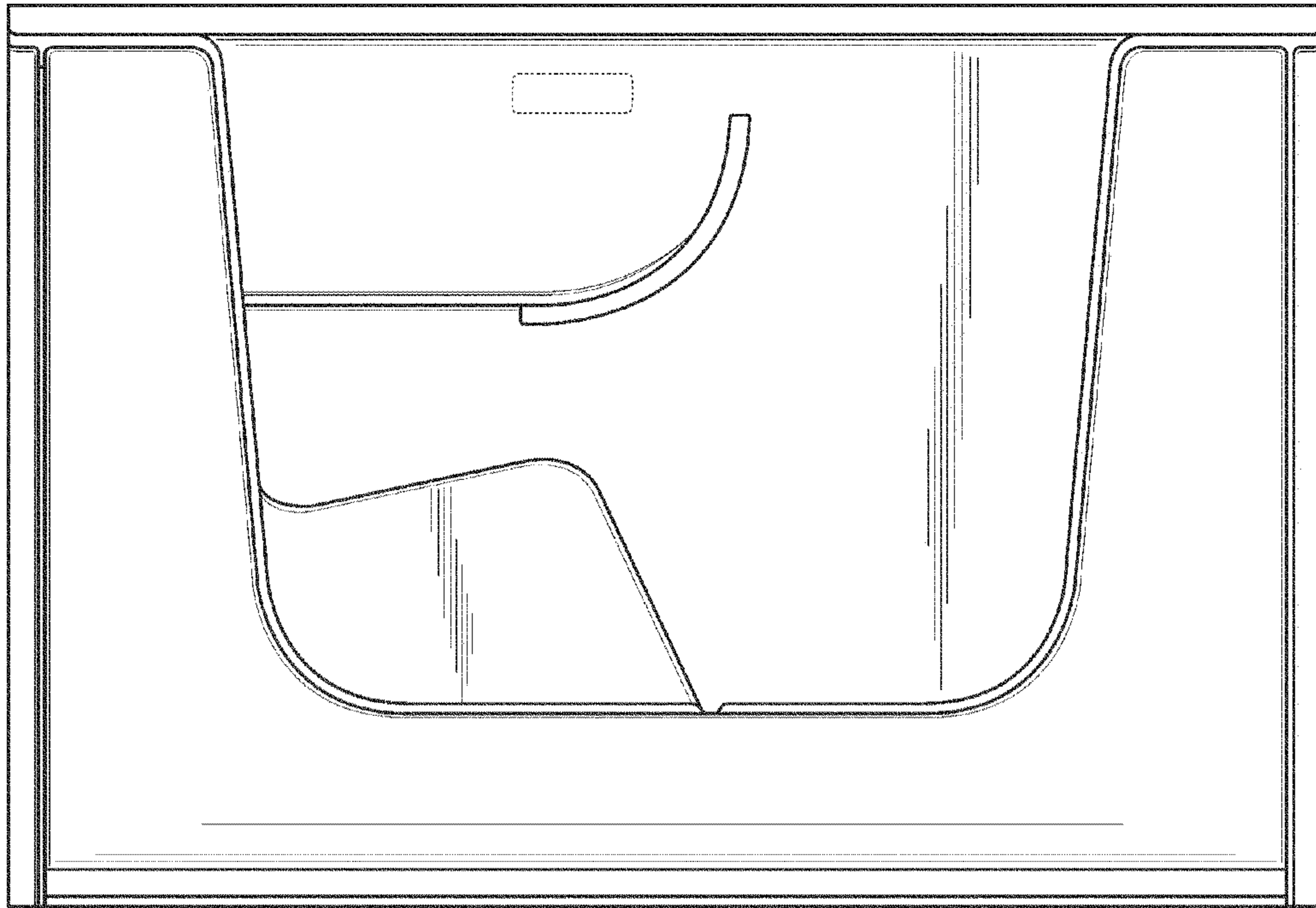


FIG. 3



FIG. 4

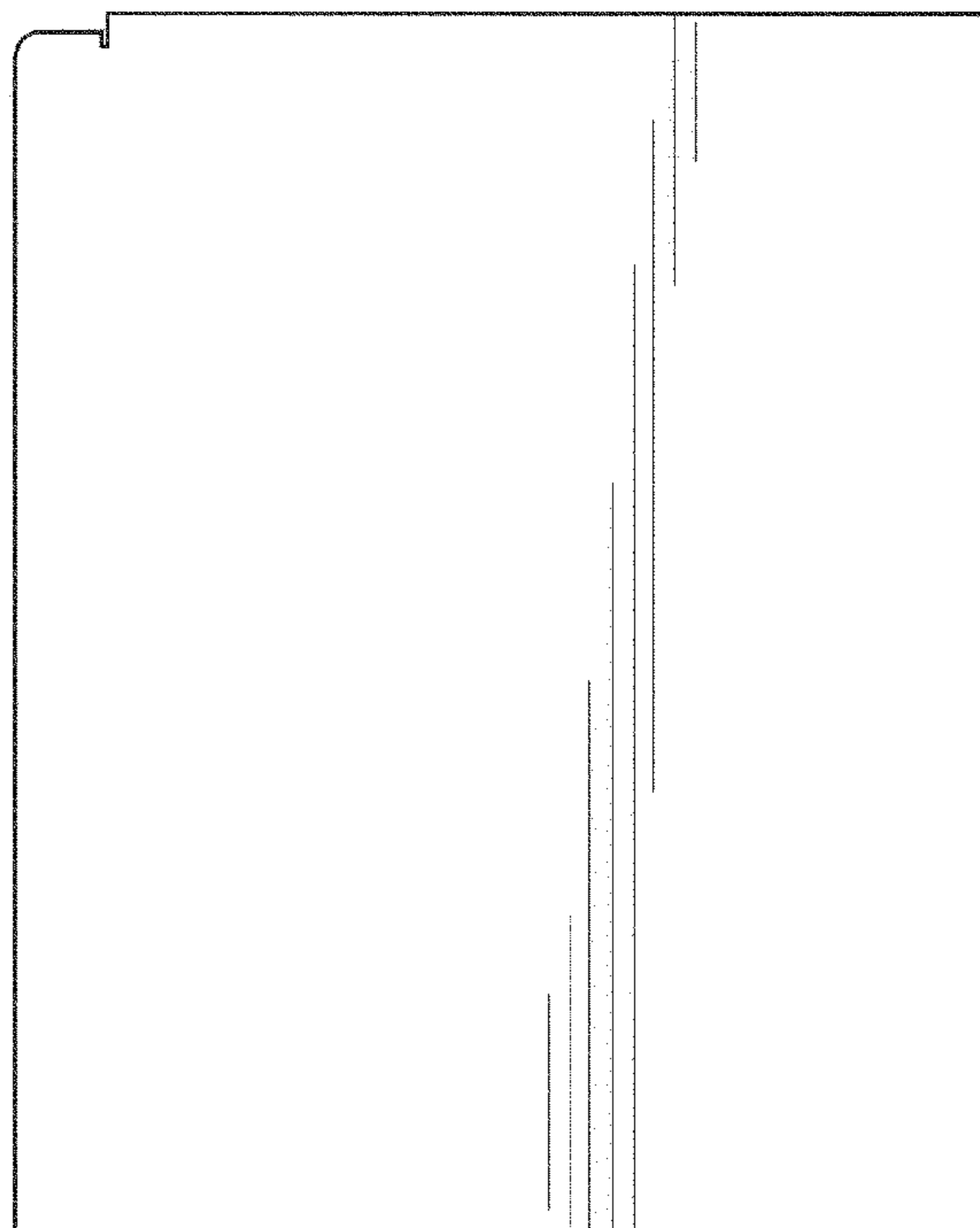
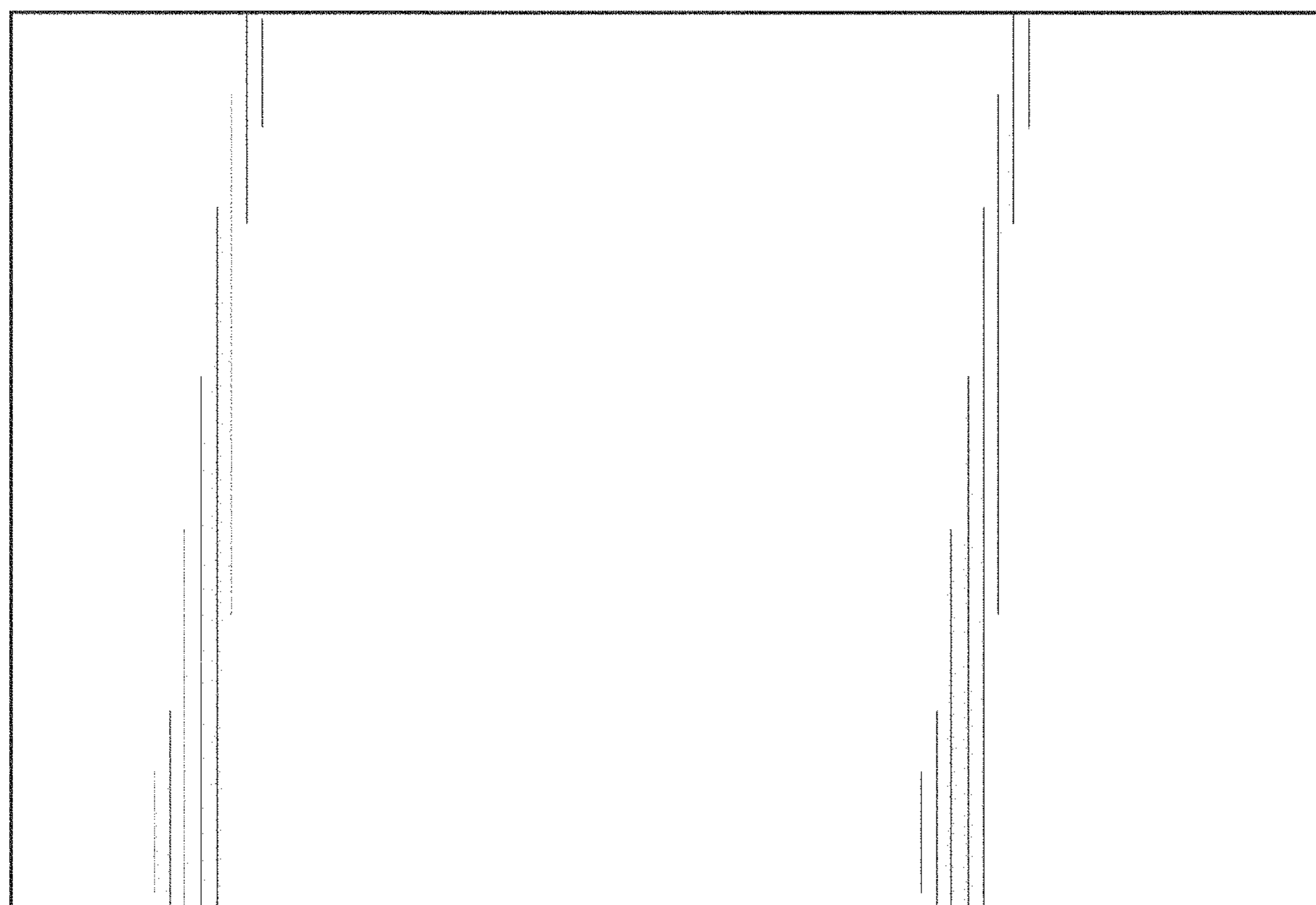


FIG. 5

FIG. 6



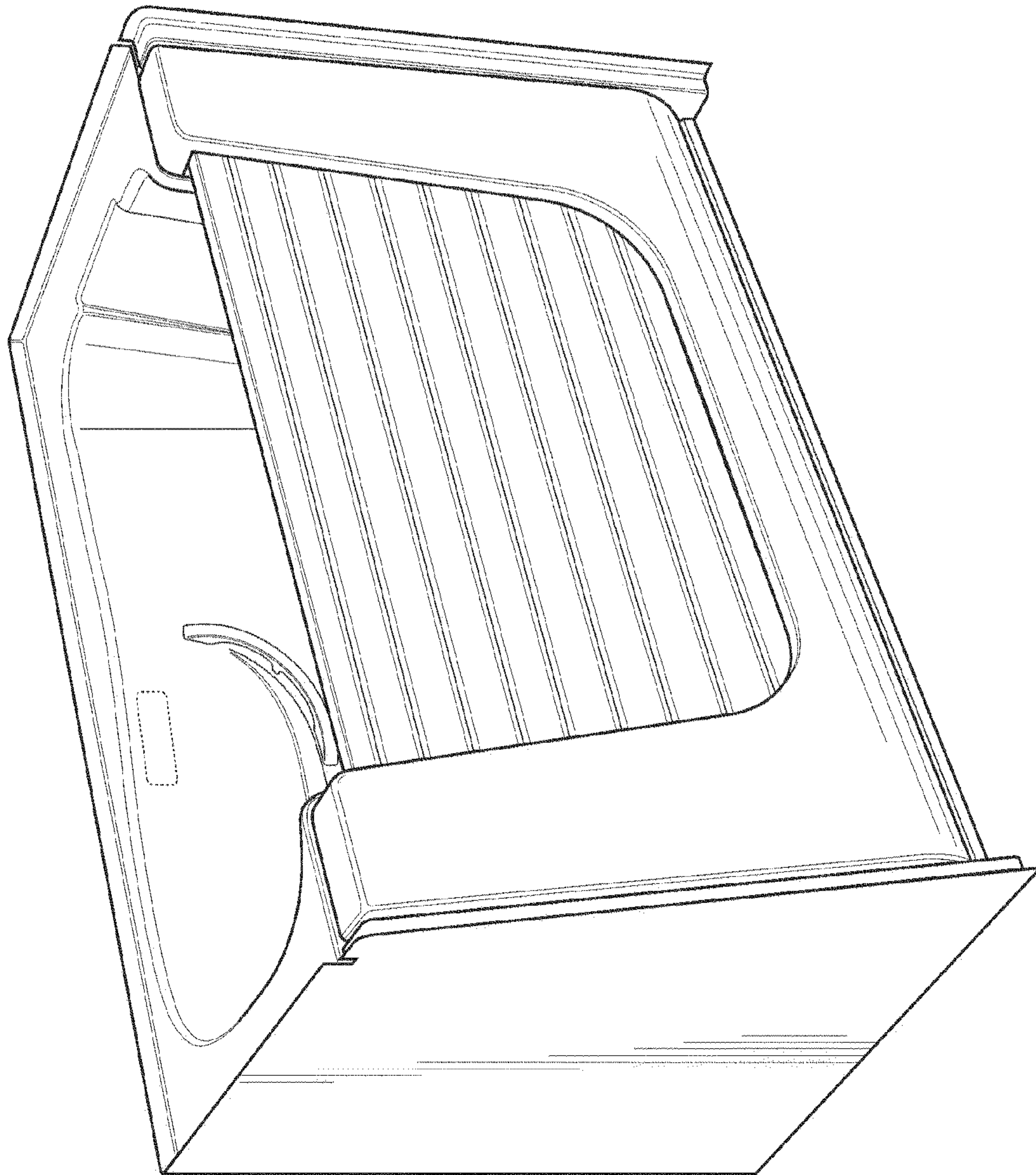


FIG. 7