

US00D697592S

(12) **United States Design Patent**
Hebert

(10) **Patent No.:** **US D697,592 S**
(45) **Date of Patent:** **** Jan. 14, 2014**

- (54) **PIPE REPAIR SLEEVE**
- (76) Inventor: **Leland J. Hebert**, Castle Rock, CO
(US)
- (**) Term: **14 Years**
- (21) Appl. No.: **29/412,387**
- (22) Filed: **Feb. 2, 2012**
- (51) **LOC (10) Cl.** **23-01**
- (52) **U.S. Cl.**
USPC **D23/259**
- (58) **Field of Classification Search**
USPC D23/259, 262; D8/394, 396; 285/15,
285/419, 373, 367; 138/99; 24/279
See application file for complete search history.

6,830,268	B2	12/2004	Krausz et al.	
7,472,870	B2 *	1/2009	Zagorski et al.	248/65
2003/0205899	A1 *	11/2003	Bishop et al.	285/373
2004/0100091	A1 *	5/2004	Krausz et al.	285/15
2005/0189768	A1 *	9/2005	Avram et al.	285/419
2006/0138776	A1 *	6/2006	Amedure et al.	285/419
2010/0012215	A1 *	1/2010	Morton et al.	138/99
2010/0032938	A1 *	2/2010	Jensen	285/15
2010/0083473	A1 *	4/2010	Mieszlewicz	24/279
2012/0199234	A1 *	8/2012	Clark et al.	138/99

* cited by examiner

Primary Examiner — Eric Goodman

(74) *Attorney, Agent, or Firm* — Montgomery Patent & Design; Robert C. Montgomery

(57) **CLAIM**

The ornamental design for a pipe repair sleeve, as shown and described.

DESCRIPTION

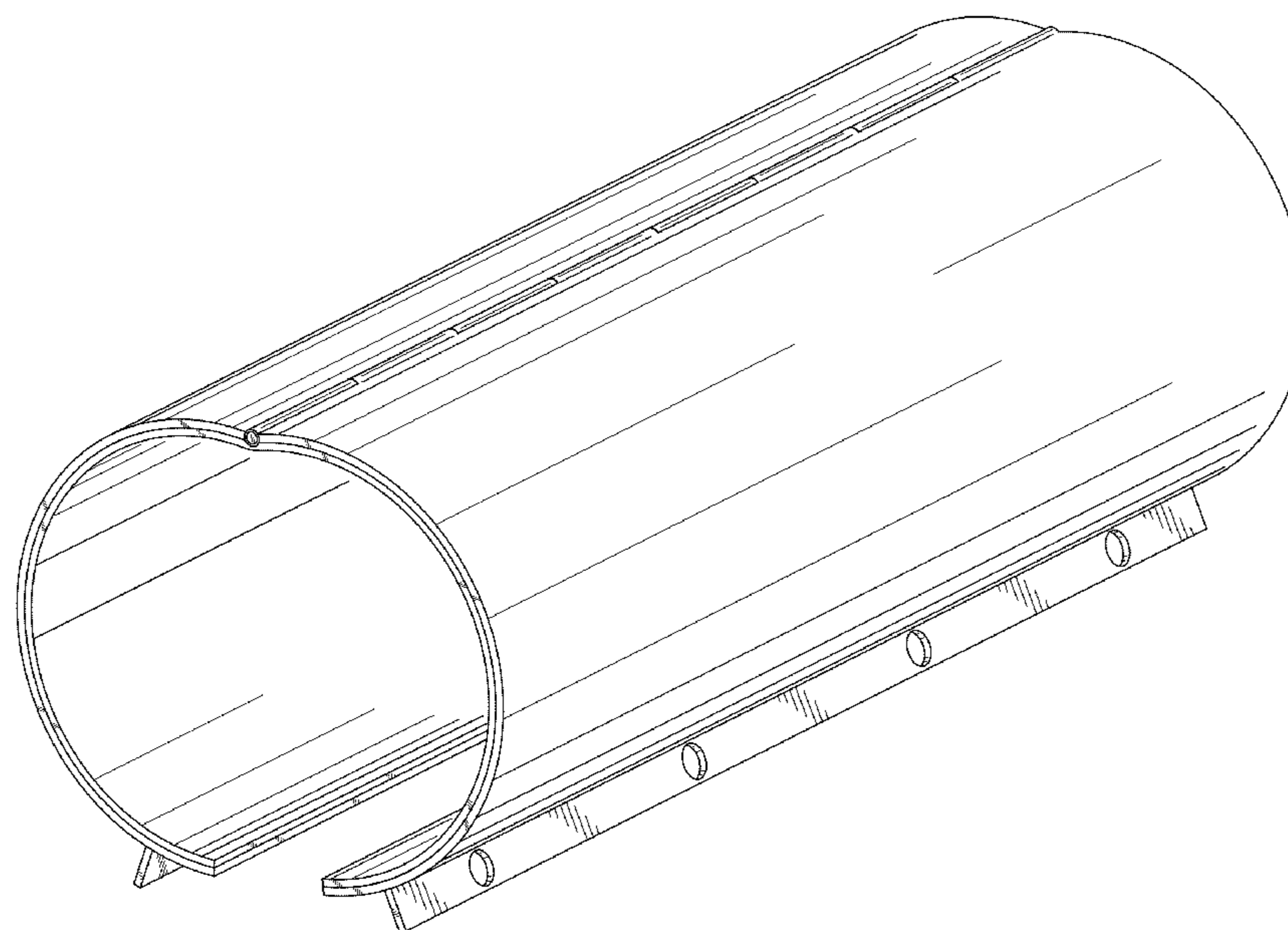
FIG. 1 is a top perspective view of a pipe repair sleeve, showing my new design;
 FIG. 2 is a bottom perspective view of thereof;
 FIG. 3 is a front view thereof with a rear view being a mirror image;
 FIG. 4 is a left side view thereof with a right side view being a mirror image;
 FIG. 5 is a top view thereof; and,
 FIG. 6 is a bottom view thereof.

1 Claim, 6 Drawing Sheets

(56) **References Cited**

U.S. PATENT DOCUMENTS

1,343,463	A *	6/1920	Meredith	138/99
2,638,987	A *	5/1953	Condra	166/181
2,690,193	A	9/1954	Smith	
2,721,582	A	10/1955	Hoke	
2,908,061	A	10/1959	Adams	
3,466,069	A *	9/1969	Hoke	285/348
3,467,943	A	9/1969	Adams	
3,982,779	A *	9/1976	Hickey	285/328
4,312,526	A	1/1982	Cassel	
D302,518	S *	8/1989	Ellison	D8/354
4,860,799	A *	8/1989	Van Noten	138/167
5,222,769	A *	6/1993	Kaempfen	285/45



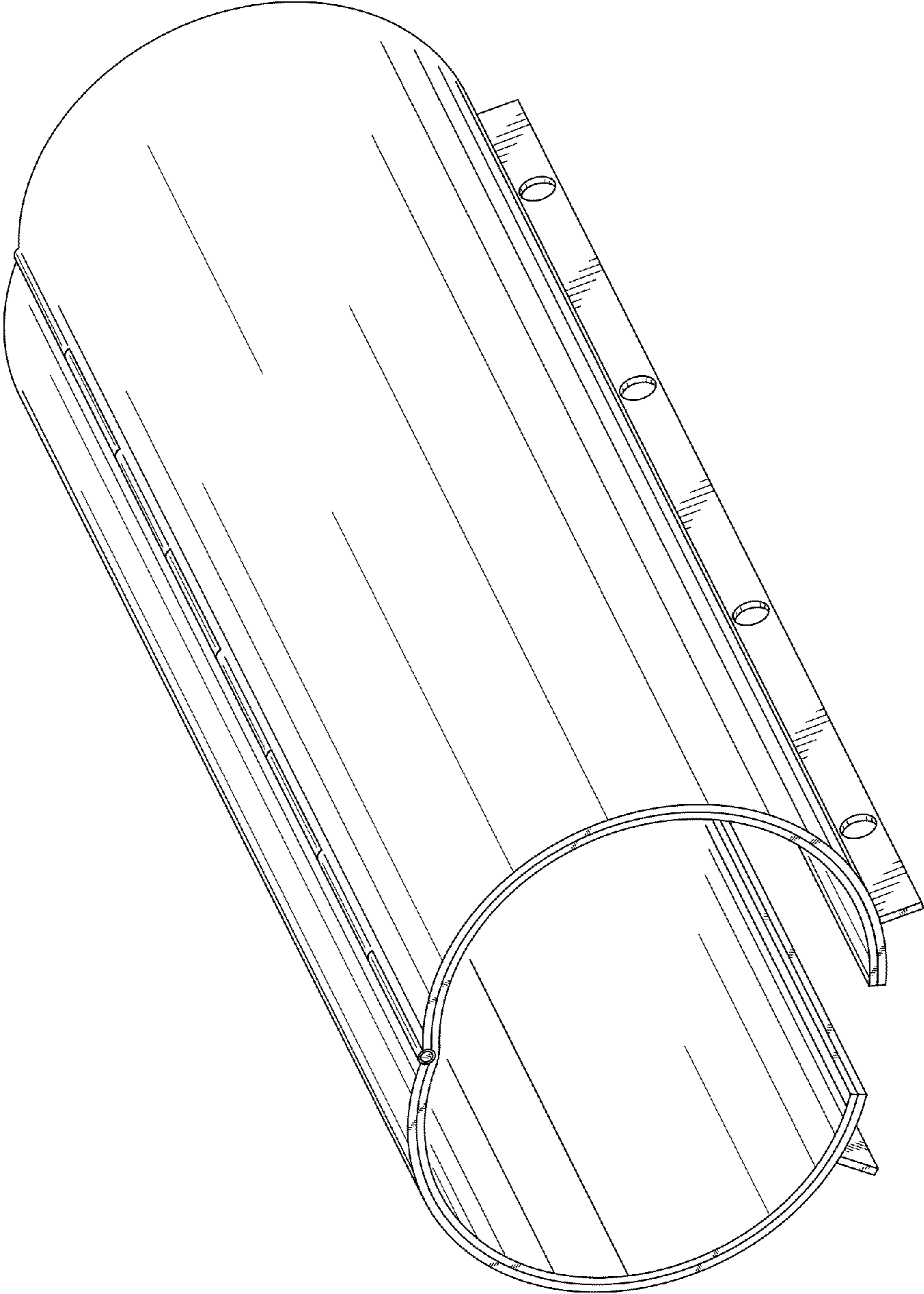


Fig. 1

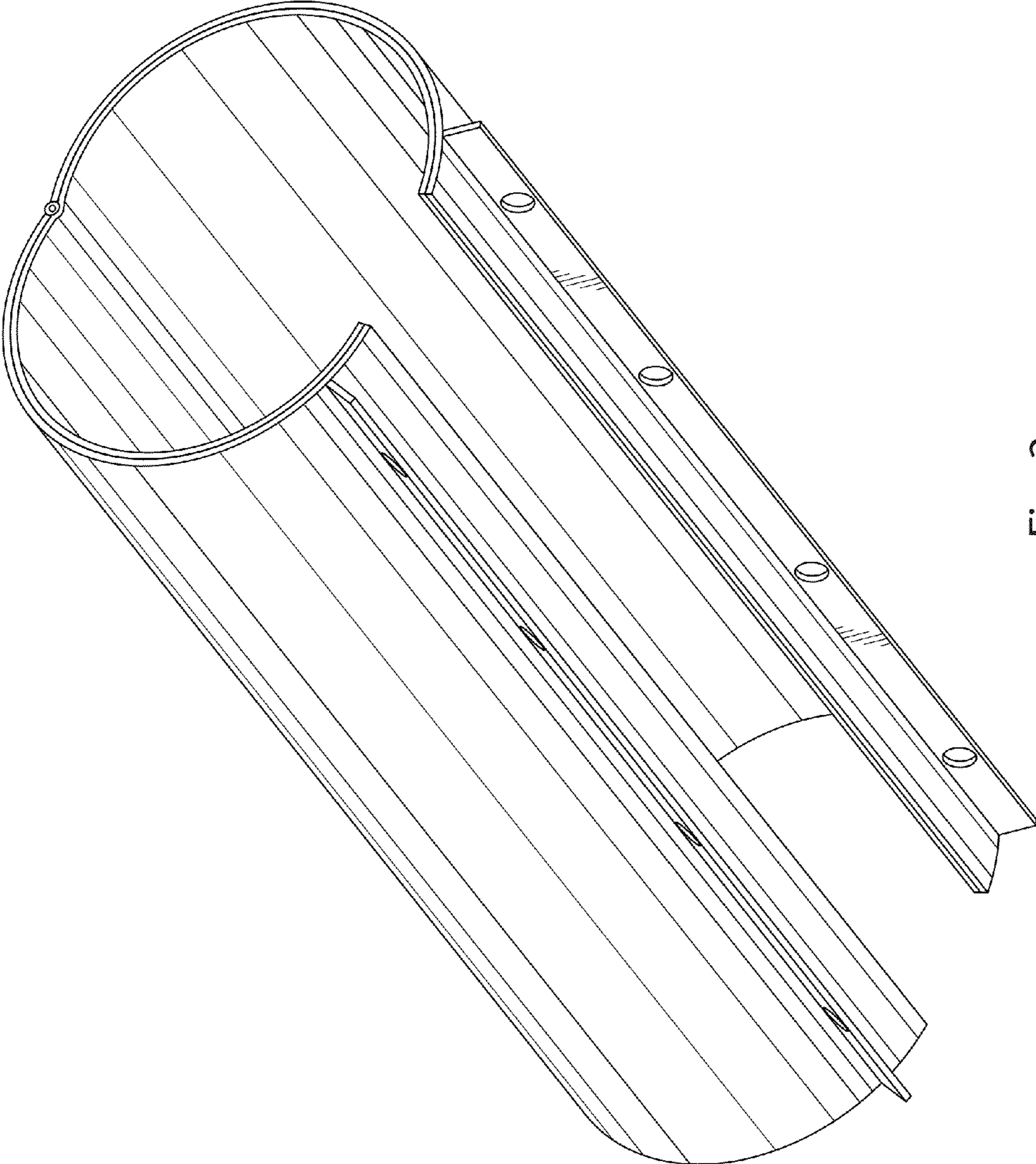


Fig. 2

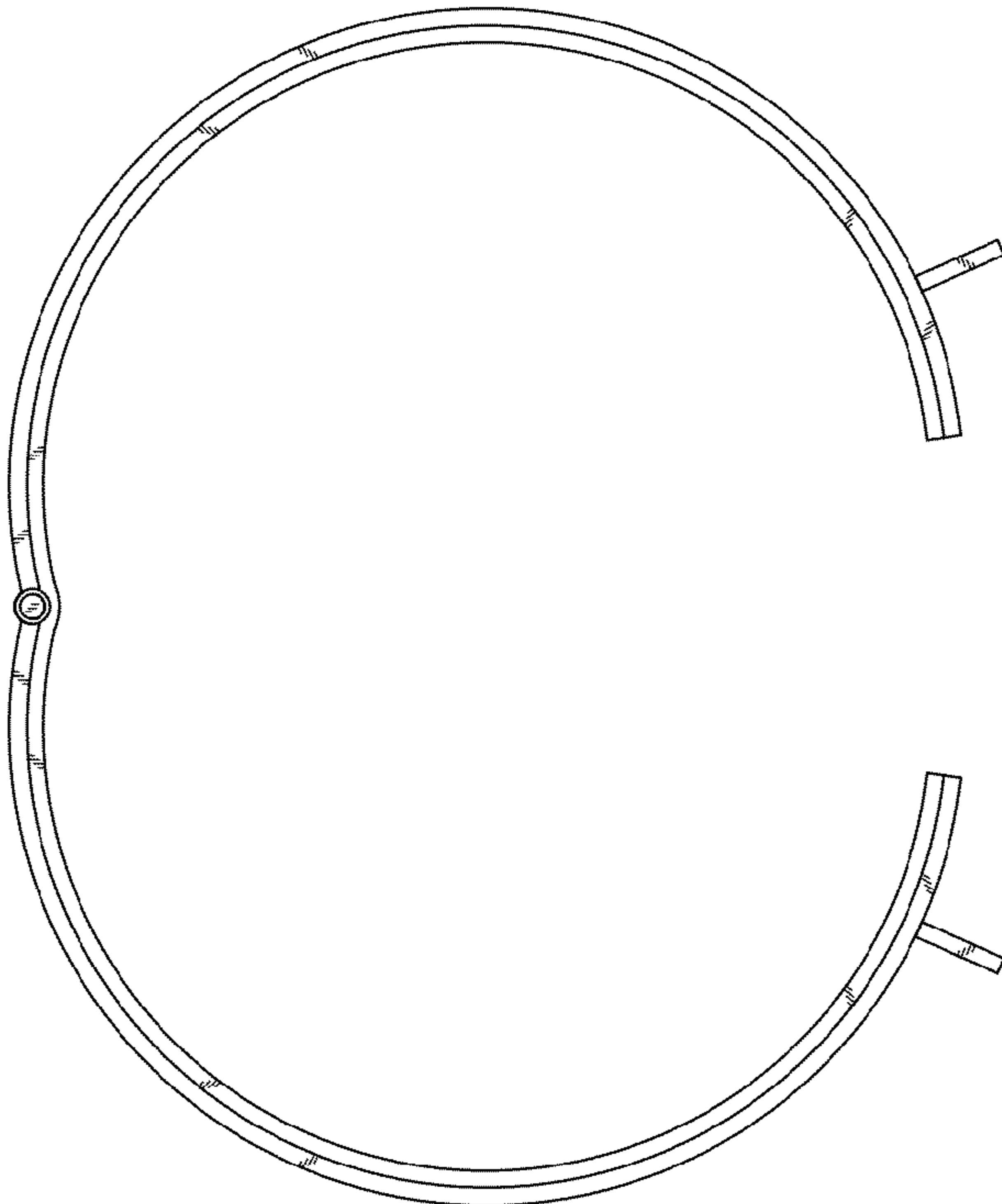


Fig. 3

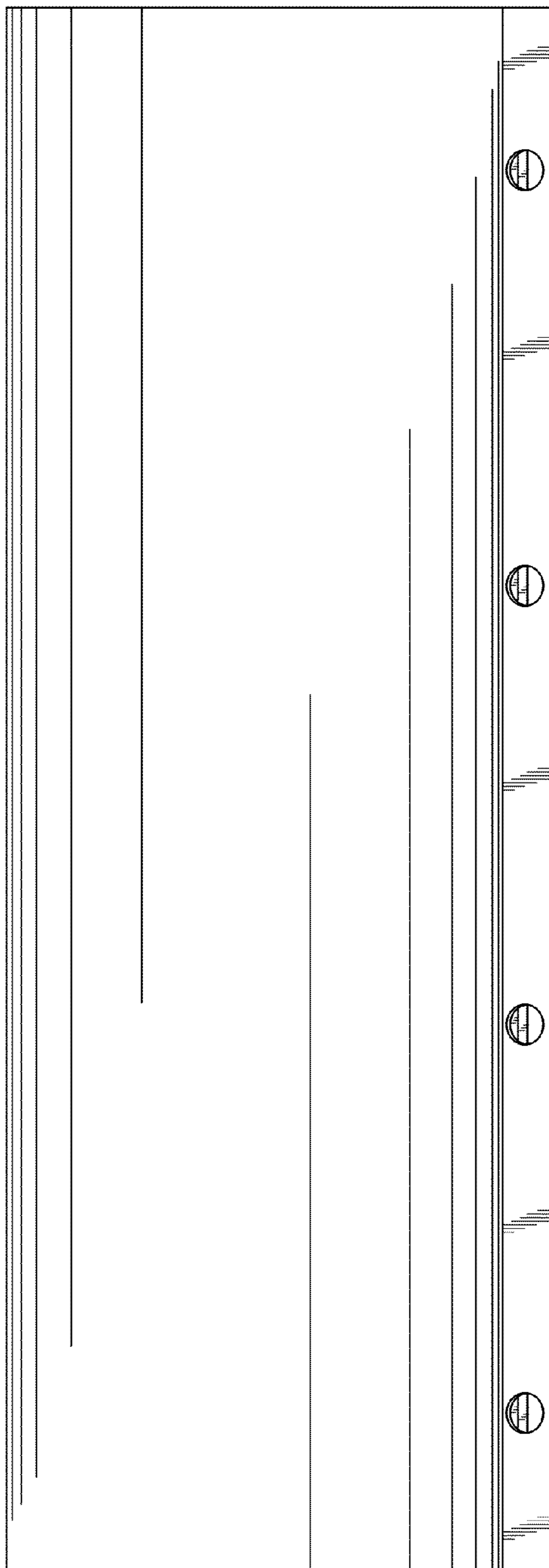


Fig. 4

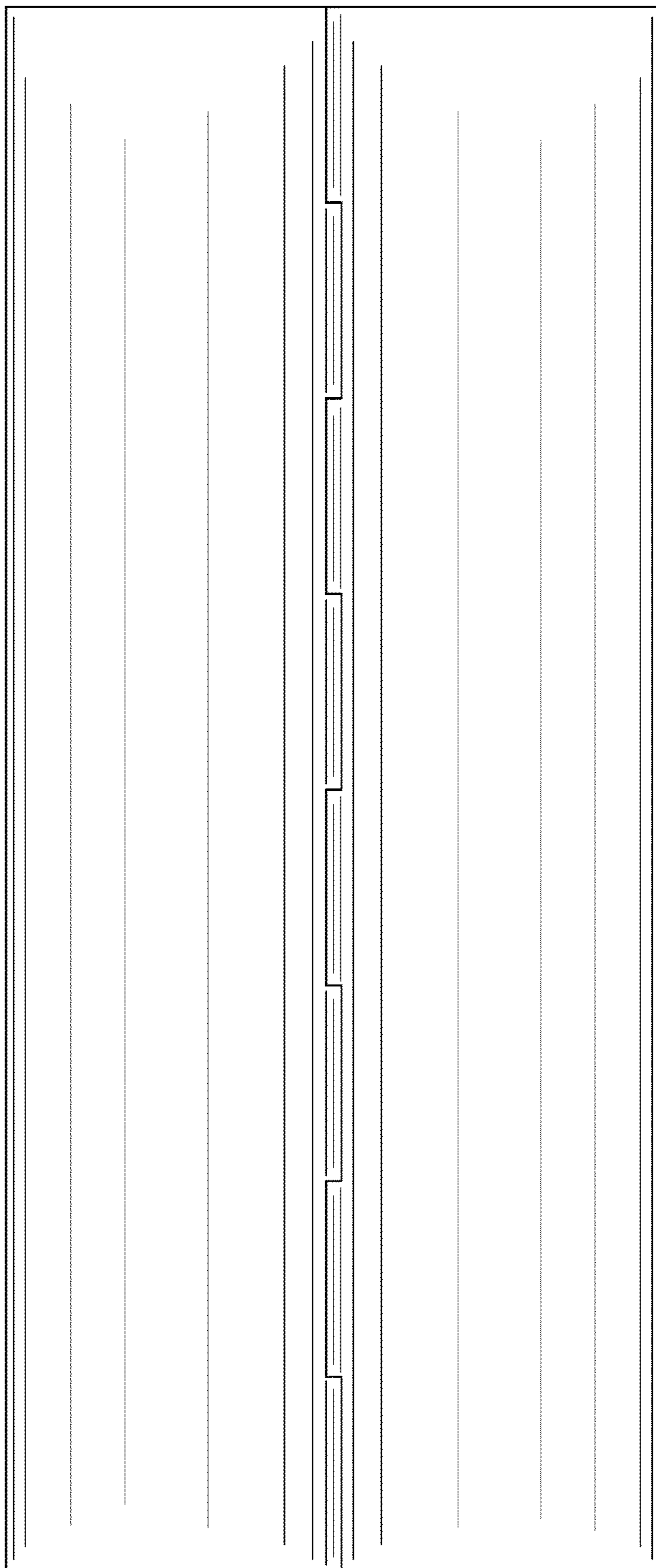


Fig. 5

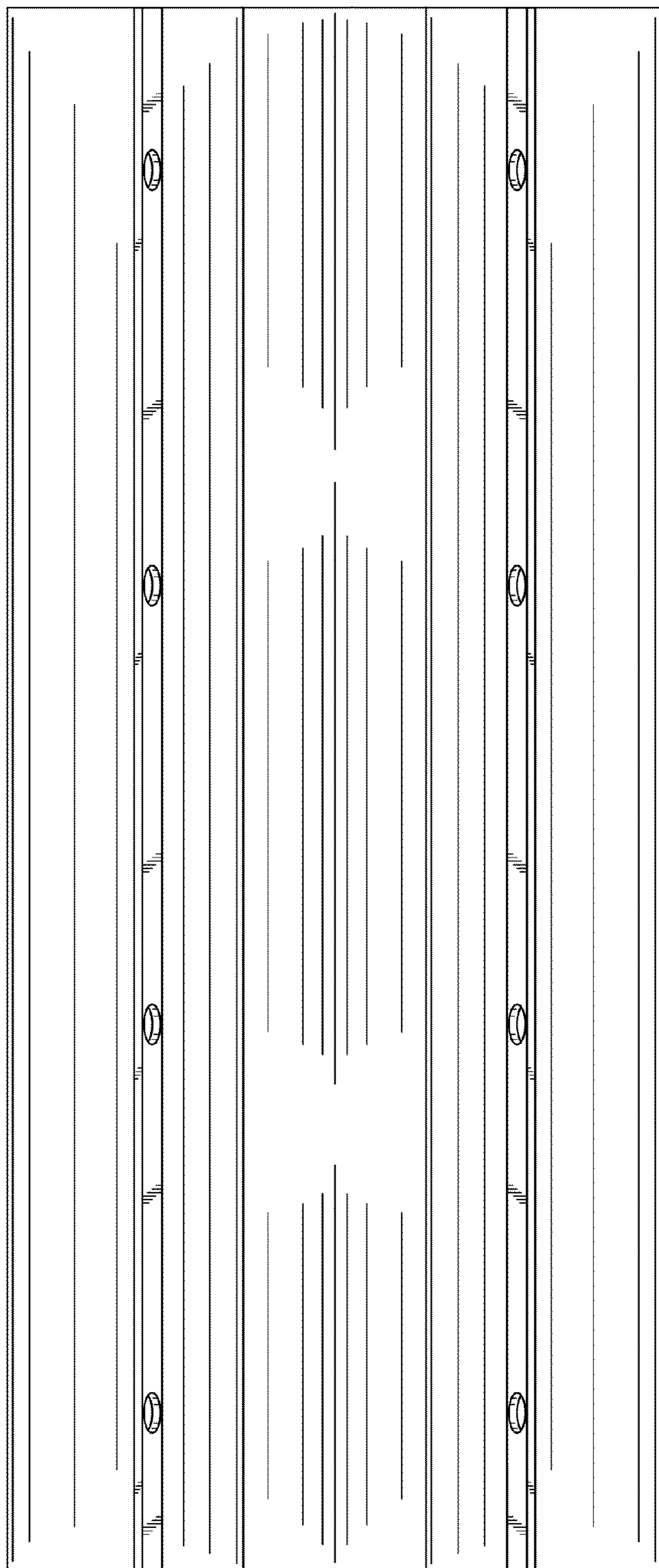


Fig. 6